

# MM54HC423A/MM74HC423A Dual Retriggerable Monostable Multivibrator

## General Description

The MM54/74HC423A high speed monostable multivibrators (one shots) utilize advanced silicon-gate CMOS technology. They feature speeds comparable to low power Schottky TTL circuitry while retaining the low power and high noise immunity characteristic of CMOS circuits.

Each multivibrator features both a negative, A, and a positive, B, transition triggered input, either of which can be used as an inhibit input. Also included is a clear input that when taken low resets the one shot. The 'HC423A cannot be triggered from clear.

The 'HC423A is retriggerable. That is, it may be triggered repeatedly while its outputs are generating a pulse and the pulse will be extended.

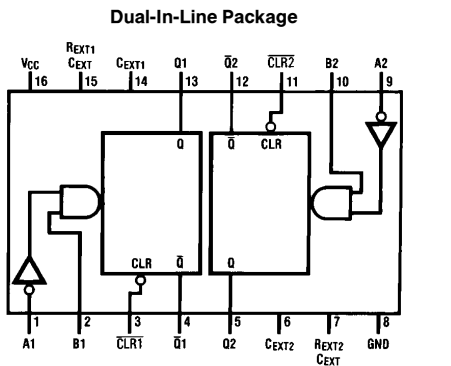
Pulse width stability over a wide range of temperature and supply is achieved using linear CMOS techniques. The output pulse equation is simply:  $PW = (R_{EXT})(C_{EXT})$ ; where PW

is in seconds, R is in ohms, and C is in farads. All inputs are protected from damage due to static discharge by diodes to  $V_{CC}$  and ground.

## Features

- Typical propagation delay: 40 ns
- Wide power supply range: 2V–6V
- Low quiescent current: 80  $\mu$ A maximum (74HC Series)
- Low input current: 1  $\mu$ A maximum
- Fanout of 10 LS-TTL loads
- Simple pulse width formula  $T = RC$
- Wide pulse range: 400 ns to  $\infty$  (typ)
- Part to part variation:  $\pm 5\%$  (typ)
- Schmitt Trigger A & B inputs allow infinite rise and fall times on these inputs

## Connection Diagram

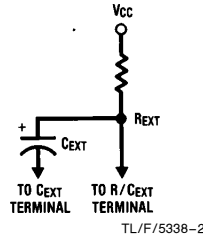


TL/F/5338-1

Top View

Order Number MM54HC423A or MM74HC423A

## Timing Component



Note: Pin 6 and Pin 14 must be hard-wired to GND.

TL/F/5338-2

## Truth Table

| Inputs |              |            | Outputs   |           |
|--------|--------------|------------|-----------|-----------|
| Clear  | A            | B          | Q         | $\bar{Q}$ |
| L      | X            | X          | L         | H         |
| X      | H            | X          | L         | H         |
| X      | X            | L          | L         | H         |
| H      | L            | $\uparrow$ | $\square$ | $\square$ |
| H      | $\downarrow$ | H          | $\square$ | $\square$ |

- H = High Level
- L = Low Level
- $\uparrow$  = Transition from Low to High
- $\downarrow$  = Transition from High to Low
- $\square$  = One High Level Pulse
- $\square$  = One Low Level Pulse
- X = Irrelevant

## Absolute Maximum Ratings (Notes 1 & 2)

If Military/Aerospace specified devices are required, please contact the National Semiconductor Sales Office/Distributors for availability and specifications.

|  |                          |
|--|--------------------------|
| Supply Voltage ( $V_{CC}$ )                      | -0.5V to +7.0V           |
| DC Input Voltage ( $V_{IN}$ )                    | -1.5V to $V_{CC} + 1.5V$ |
| DC Output Voltage ( $V_{OUT}$ )                  | -0.5V to $V_{CC} + 0.5V$ |
| Clamp Diode Current ( $I_{IK}, I_{OK}$ )         | $\pm 20$ mA              |
| DC Output Current, per pin ( $I_{OUT}$ )         | $\pm 25$ mA              |
| DC $V_{CC}$ or GND Current, per pin ( $I_{CC}$ ) | $\pm 50$ mA              |
| Storage Temperature Range ( $T_{STG}$ )          | -65°C to +150°C          |
| Power Dissipation ( $P_D$ ) (Note 3)             | 600 mW                   |
| S.O. Package only                                | 500 mW                   |
| Lead Temp. ( $T_L$ ) (Soldering 10 seconds)      | 260°C                    |

## Operating Conditions

|  | Min | Max      | Units |
|--|-----|----------|-------|
| Supply Voltage ( $V_{CC}$ )                      | 2   | 6        | V     |
| DC Input or Output Voltage ( $V_{IN}, V_{OUT}$ ) | 0   | $V_{CC}$ | V     |
| Operating Temp. Range ( $T_A$ )                  |     |          |       |
| MM74HC   | -40 | +85      | °C    |
| MM54HC   | -55 | +125     | °C    |
| Maximum Input Rise and Fall Time (Clear Input)   |     |          |       |
| $V_{CC} = 2.0V$                                  |     | 1000     | ns    |
| $V_{CC} = 4.5V$                                  |     | 500      | ns    |
| $V_{CC} = 6.0V$                                  |     | 400      | ns    |

## DC Electrical Characteristics (Note 4)

| Symbol   | Parameter                                      | Conditions  | $V_{CC}$ | $T_A = 25^\circ C$                  |                   |           | Units     |                                      |  |  |
|----------|--|---|----------|-------------------------------------|-------------------|-----------|-----------|--------------------------------------|--|--|
|          |  |   |          | 74HC<br>$T_A = -40$ to $85^\circ C$ |                   |           |           | 54HC<br>$T_A = -55$ to $125^\circ C$ |  |  |
|          |  |   |          | Typ                                 | Guaranteed Limits |           |           |                                      |  |  |
| $V_{IH}$ | Minimum High Level Input Voltage               |   | 2.0V     |                                     | 1.5               | 1.5       | 1.5       | V                                    |  |  |
|          |  |   | 4.5V     |                                     | 3.15              | 3.15      | 3.15      | V                                    |  |  |
|          |  |   | 6.0V     |                                     | 4.2               | 4.2       | 4.2       | V                                    |  |  |
| $V_{IL}$ | Maximum Low Level Input Voltage                |   | 2.0V     |                                     | 0.3               | 0.3       | 0.3       | V                                    |  |  |
|          |  |   | 4.5V     |                                     | 0.9               | 0.9       | 0.9       | V                                    |  |  |
|          |  |   | 6.0V     |                                     | 1.2               | 1.2       | 1.2       | V                                    |  |  |
| $V_{OH}$ | Minimum High Level Output Voltage              | $V_{IN} = V_{IH}$ or $V_{IL}$<br>$ I_{OUT}  \leq 20 \mu A$                          | 2.0V     | 2.0                                 | 1.9               | 1.9       | 1.9       | V                                    |  |  |
|          |  |   | 4.5V     | 4.5                                 | 4.4               | 4.4       | 4.4       | V                                    |  |  |
|          |  |   | 6.0V     | 6.0                                 | 5.9               | 5.9       | 5.9       | V                                    |  |  |
|          |  | $V_{IN} = V_{IH}$ or $V_{IL}$<br>$ I_{OUT}  \leq 4.0$ mA<br>$ I_{OUT}  \leq 5.2$ mA | 4.5V     |                                     | 3.96              | 3.84      | 3.7       | V                                    |  |  |
|          |  |   | 6.0V     |                                     | 5.46              | 5.34      | 5.2       | V                                    |  |  |
|          |  |   |          |                                     |                   |           |           | V                                    |  |  |
| $V_{OL}$ | Maximum Low Level Output Voltage               | $V_{IN} = V_{IH}$ or $V_{IL}$<br>$ I_{OUT}  \leq 20 \mu A$                          | 2.0V     | 0                                   | 0.1               | 0.1       | 0.1       | V                                    |  |  |
|          |  |   | 4.5V     | 0                                   | 0.1               | 0.1       | 0.1       | V                                    |  |  |
|          |  |   | 6.0V     | 0                                   | 0.1               | 0.1       | 0.1       | V                                    |  |  |
|          |  | $V_{IN} = V_{IH}$ or $V_{IL}$<br>$ I_{OUT}  \leq 4$ mA<br>$ I_{OUT}  \leq 5.2$ mA   | 4.5V     |                                     | 0.26              | 0.33      | 0.4       | V                                    |  |  |
|          |  |   | 6.0V     |                                     | 0.26              | 0.33      | 0.4       | V                                    |  |  |
|          |  |   |          |                                     |                   |           |           | V                                    |  |  |
| $I_{IN}$ | Maximum Input Current (Pins 7, 15)             | $V_{IN} = V_{CC}$ or GND  | 5.0V     |                                     | 0.5               | 5.0       | 5.0       | $\mu A$                              |  |  |
| $I_{IN}$ | Maximum Input Current (all other pins)         | $V_{IN} = V_{CC}$ or GND  | 6.0V     |                                     | $\pm 0.1$         | $\pm 1.0$ | $\pm 1.0$ | $\mu A$                              |  |  |
| $I_{CC}$ | Maximum Quiescent Supply Current (standby)     | $V_{IN} = V_{CC}$ or GND<br>$I_{OUT} = 0 \mu A$                                     | 6.0V     |                                     | 8.0               | 80        | 160       | $\mu A$                              |  |  |
| $I_{CC}$ | Maximum Active Supply Current (per monostable) | $V_{IN} = V_{CC}$ or GND<br>$R/C_{EXT} = 0.5V_{CC}$                                 | 2.0V     | 36                                  | 80                | 110       | 130       | $\mu A$                              |  |  |
|          |  |   | 4.5V     | 0.33                                | 1.0               | 1.3       | 1.6       | mA                                   |  |  |
|          |  |   | 6.0V     | 0.7                                 | 2.0               | 2.6       | 3.2       | mA                                   |  |  |

**Note 1:** Maximum Ratings are those values beyond which damage to the device may occur.

**Note 2:** Unless otherwise specified all voltages are referenced to ground.

**Note 3:** Power Dissipation Temperature Derating: Plastic "N" Package: -12mW/°C from 65°C to 85°C Ceramic "J" Package: -12mW/°C from 100°C to 125°C

**Note 4:** For a power supply of  $5V \pm 10\%$  the worst-case output voltages ( $V_{OH}, V_{OL}$ ) occur for HC at 4.5V. Thus the 4.5V values should be used when designing with this supply. Worst-case  $V_{IH}$  and  $V_{IL}$  occur at  $V_{CC} = 5.5V$  and 4.5V respectively. (The  $V_{IH}$  value at 5.5V is 3.85V.) The worst-case leakage current ( $I_{IN}, I_{CC}$ , and  $I_{OZ}$ ) occur for CMOS at the higher voltage and so the 6.0V values should be used.

### AC Electrical Characteristics $V_{CC}=5V, T_A=25^{\circ}C, C_L=15\text{ pF}, t_r=t_f=6\text{ ns}$

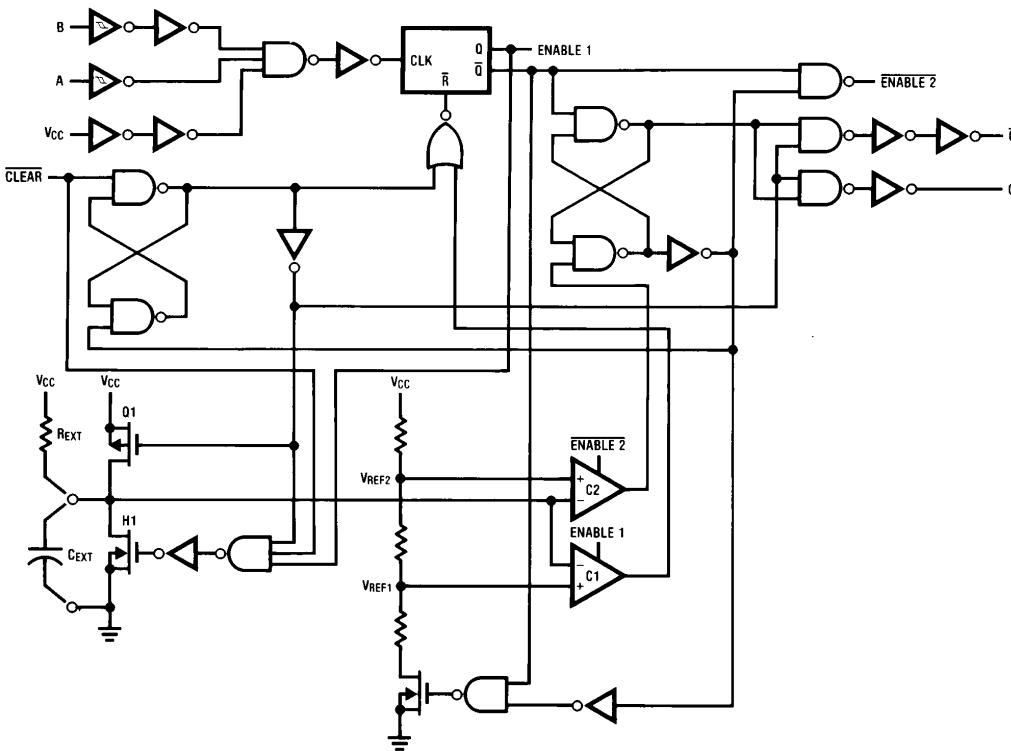
| Symbol        | Parameter  | Conditions  | Typ | Limit | Units         |
|---------------|--|---|-----|-------|---------------|
| $t_{PLH}$     | Maximum Trigger Propagation Delay, A, B to Q         |   | 22  | 33    | ns            |
| $t_{PHL}$     | Maximum Trigger Propagation Delay, A, B to $\bar{Q}$ |   | 25  | 42    | ns            |
| $t_{PHL}$     | Maximum Propagation Delay, Clear to Q                |   | 20  | 27    | ns            |
| $t_{PLH}$     | Maximum Propagation Delay, Clear to $\bar{Q}$        |   | 22  | 33    | ns            |
| $t_W$         | Minimum Pulse Width, A, B or Clear                   |   | 14  | 26    | ns            |
| $t_{REM}$     | Minimum Clear Removal Time                           |   |     | 0     | ns            |
| $t_{WQ(MIN)}$ | Minimum Output Pulse Width                           | $C_{EXT}=28\text{ pF}$<br>$R_{EXT}=2\text{ k}\Omega$    | 400 |       | ns            |
| $t_{WQ}$      | Output Pulse Width                                   | $C_{EXT}=1000\text{ pF}$<br>$R_{EXT}=10\text{ k}\Omega$ | 10  |       | $\mu\text{s}$ |

### AC Electrical Characteristics $C_L=50\text{ pF}, t_r=t_f=6\text{ ns}$ (Unless otherwise specified)

| Symbol             | Parameter  | Conditions  | $V_{CC}$ | $T_A=25^{\circ}C$ |                   | 74HC                            | 54HC                             | Units |    |
|--------------------|--|---|----------|-------------------|-------------------|---------------------------------|----------------------------------|-------|----|
|                    |  |   |          |                   |                   | $T_A=-40\text{ to }85^{\circ}C$ | $T_A=-55\text{ to }125^{\circ}C$ |       |    |
|                    |  |   |          | Typ               | Guaranteed Limits |                                 |                                  |       |    |
| $t_{PLH}$          | Maximum Trigger Propagation Delay, A or B to Q         |   | 2.0V     | 77                | 169               | 194                             | 210                              | ns    |    |
|                    |  |   | 4.5V     | 26                | 42                | 51                              | 57                               | ns    |    |
|                    |  |   | 6.0V     | 21                | 32                | 39                              | 44                               | ns    |    |
| $t_{PHL}$          | Maximum Trigger Propagation Delay, A or B to $\bar{Q}$ |   | 2.0V     | 88                | 197               | 229                             | 250                              | ns    |    |
|                    |  |   | 4.5V     | 29                | 48                | 60                              | 67                               | ns    |    |
|                    |  |   | 6.0V     | 24                | 38                | 46                              | 51                               | ns    |    |
| $t_{PHL}$          | Maximum Propagation Delay, Clear to Q                  |   | 2.0V     | 54                | 114               | 132                             | 143                              | ns    |    |
|                    |  |   | 4.5V     | 23                | 34                | 41                              | 45                               | ns    |    |
|                    |  |   | 6.0V     | 19                | 28                | 33                              | 36                               | ns    |    |
| $t_{PLH}$          | Maximum Propagation Delay, Clear to $\bar{Q}$          |   | 2.0V     | 56                | 116               | 135                             | 147                              | ns    |    |
|                    |  |   | 4.5V     | 25                | 36                | 42                              | 46                               | ns    |    |
|                    |  |   | 6.0V     | 20                | 29                | 34                              | 37                               | ns    |    |
| $t_W$              | Minimum Pulse Width, A, B, Clear                       |   | 2.0V     | 57                | 123               | 144                             | 157                              | ns    |    |
|                    |  |   | 4.5V     | 17                | 30                | 37                              | 42                               | ns    |    |
|                    |  |   | 6.0V     | 12                | 21                | 27                              | 30                               | ns    |    |
| $t_{REM}$          | Minimum Clear Removal Time                             |   | 2.0V     | 0                 | 0                 | 0                               | 0                                | ns    |    |
|                    |  |   | 4.5V     | 0                 | 0                 | 0                               | 0                                | ns    |    |
|                    |  |   | 6.0V     | 0                 | 0                 | 0                               | 0                                | ns    |    |
| $t_{WQ}$           | Output Pulse Width                                     | $C_{EXT}=0.1\text{ }\mu\text{F}$<br>$R_{EXT}=10\text{ k}\Omega$ | Min      | 5.0V              | 1                 | 0.9                             | 0.86                             | 0.85  | ms |
|                    |  |   | Max      | 5.0V              | 1                 | 1.1                             | 1.14                             | 1.15  | ms |
| $t_{TLH}, t_{THL}$ | Maximum Output Rise and Fall Time                      |   | 2.0V     | 30                | 75                | 95                              | 110                              | ns    |    |
|                    |  |   | 4.5V     | 8                 | 15                | 19                              | 22                               | ns    |    |
|                    |  |   | 6.0V     | 7                 | 13                | 16                              | 19                               | ns    |    |
| $C_{PD}$           | Power Dissipation Capacitance (Note 5)                 |   |          | 83                |                   |                                 |                                  | pF    |    |
| $C_{IN}$           | Maximum Input Capacitance (Pins 7 & 15)                |   |          | 12                | 20                | 20                              | 20                               | pF    |    |
| $C_{IN}$           | Maximum Input Capacitance (other inputs)               |   |          | 6                 | 10                | 10                              | 10                               | pF    |    |

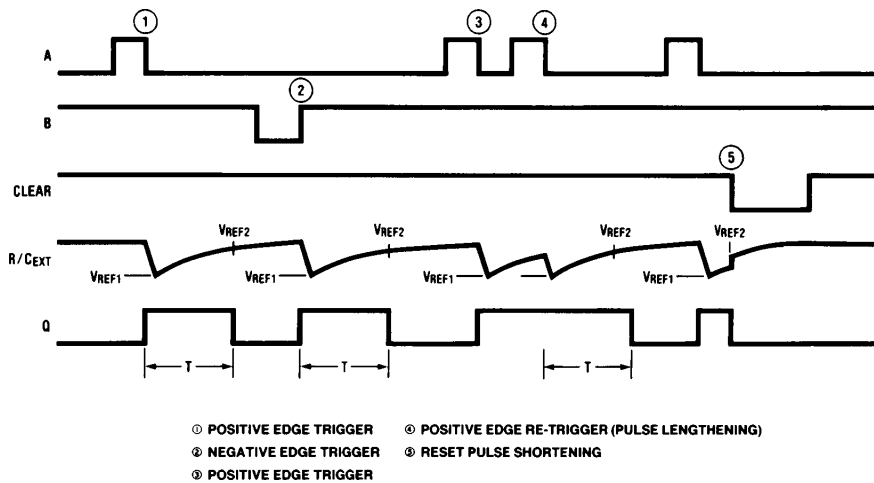
**Note 5:**  $C_{PD}$  determines the no load dynamic power consumption,  $P_D = C_{PD} V_{CC}^2 f + I_{CC} V_{CC}$ , and the no load dynamic current consumption,  $I_S = C_{PD} V_{CC} f + I_{CC}$ .

## Logic Diagram



TL/F/5338-5

## Theory of Operation



TL/F/5338-6

FIGURE 1

## Theory of Operation (Continued)

### TRIGGER OPERATION

As shown in *Figure 1* and the logic diagram before an input trigger occurs, the one-shot is in the quiescent state with the Q output low, and the timing capacitor  $C_{EXT}$  completely charged to  $V_{CC}$ . When the trigger input A goes from  $V_{CC}$  to GND (while inputs B and clear are held to  $V_{CC}$ ) a valid trigger is recognized, which turns on comparator C1 and N-Channel transistor N1  $\textcircled{1}$ . At the same time the output latch is set. With transistor N1 on, the capacitor  $C_{EXT}$  rapidly discharges toward GND until  $V_{REF1}$  is reached. At this point the output of comparator C1 changes state and transistor N1 turns off. Comparator C1 then turns off while at the same time comparator C2 turns on. With transistor N1 off, the capacitor  $C_{EXT}$  begins to charge through the timing resistor,  $R_{EXT}$ , toward  $V_{CC}$ . When the voltage across  $C_{EXT}$  equals  $V_{REF2}$ , comparator C2 changes state causing the output latch to reset (Q goes low) while at the same time disabling comparator C2. This ends the timing cycle with the one-shot in the quiescent state, waiting for the next trigger.

A valid trigger is also recognized when trigger input B goes from GND to  $V_{CC}$  (while input A is at GND and input clear is at  $V_{CC}$   $\textcircled{2}$ .)

It should be noted that in the quiescent state  $C_{EXT}$  is fully charged to  $V_{CC}$  causing the current through resistor  $R_{EXT}$  to be zero. Both comparators are "off" with the total device current due only to reverse junction leakages. An added feature of the  $\text{HC423A}$  is that the output latch is set via the input trigger without regard to the capacitor voltage. Thus, propagation delay from trigger to Q is independent of the value of  $C_{EXT}$ ,  $R_{EXT}$ , or the duty cycle of the input waveform.

### RETRIGGER OPERATION

The  $\text{HC423A}$  is retriggered if a valid trigger occurs  $\textcircled{3}$  followed by another trigger  $\textcircled{4}$  before the Q output has returned to the quiescent (zero) state. Any retrigger, after the

timing node voltage at pin or has begun to rise from  $V_{REF1}$ , but has not yet reached  $V_{REF2}$ , will cause an increase in output pulse width T. When a valid retrigger is initiated  $\textcircled{4}$ , the voltage at the R/ $C_{EXT}$  pin will again drop to  $V_{REF1}$  before progressing along the RC charging curve toward  $V_{CC}$ . The Q output will remain high until time T, after the last valid retrigger.

Because the trigger-control circuit flip-flop resets shortly after  $C_X$  has discharged to the reference voltage of the lower reference circuit, the minimum retrigger time,  $t_{rr}$  is a function of internal propagation delays and the discharge time of  $C_X$ :

$$t_{rr} = 20 + \frac{187}{V_{CC} - 0.7} + \frac{565 + (0.256 V_{CC}) C_X}{(V_{CC} - 0.7)^2} \text{ ns}$$

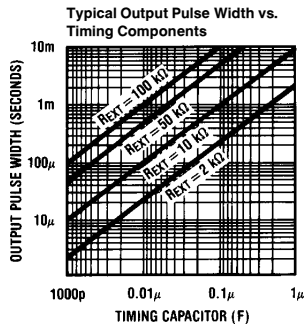
Another removal/retrigger time occurs when a short clear pulse is used. Upon receipt of a clear, the one shot must charge the capacitor up to the upper trip point before the one shot is ready to receive the next trigger. This time is dependent on the capacitor used and is approximately:

$$t_{rr} = 196 + \frac{640}{V_{CC} - 0.7} + \frac{522 + (0.3 V_{CC}) C_X}{(V_{CC} - 0.7)^2} \text{ ns}$$

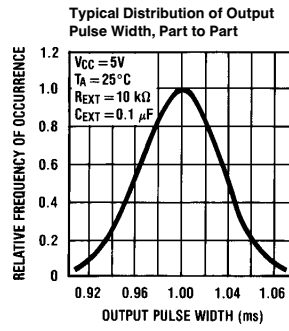
### RESET OPERATION

These one shots may be reset during the generation of the output pulse. In the reset mode of operation, an input pulse on clear sets the reset latch and causes the capacitor to be fast charged to  $V_{CC}$  by turning on transistor Q1  $\textcircled{5}$ . When the voltage on the capacitor reaches  $V_{REF2}$ , the reset latch will clear and then be ready to accept another pulse. If the clear input is held low, any trigger inputs that occur will be inhibited and the Q and  $\bar{Q}$  outputs of the output latch will not change. Since the Q output is reset when an input low level is detected on the Clear input, the output pulse T can be made significantly shorter than the minimum pulse width specification.

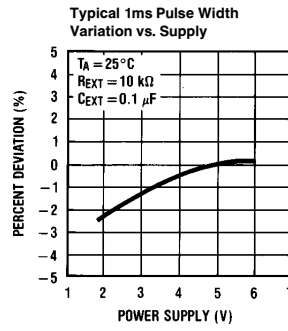
## Theory of Operation (Continued)



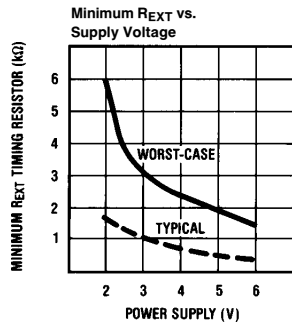
TL/F/5338-7



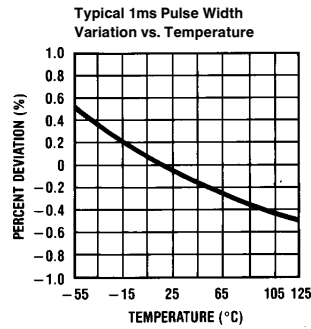
TL/F/5338-8



TL/F/5338-9



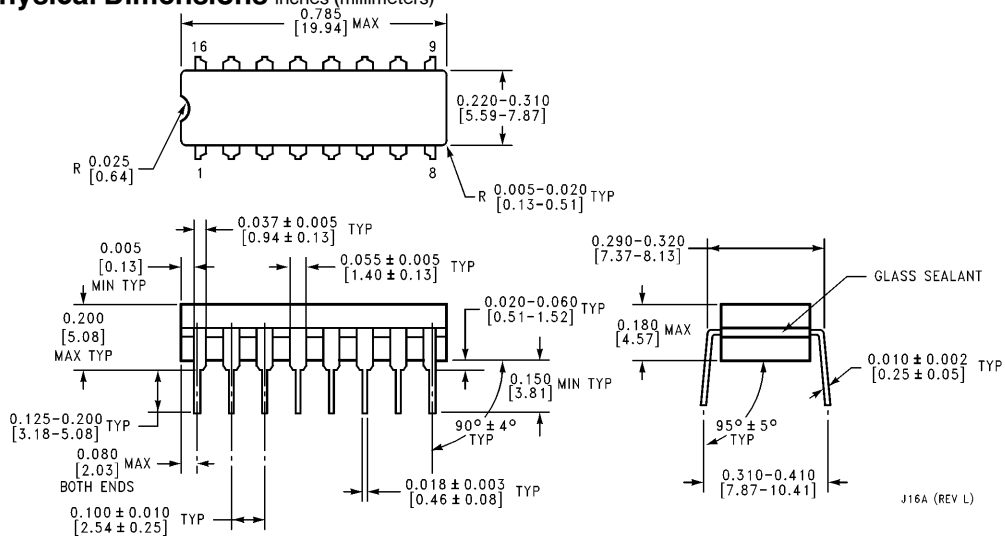
TL/F/5338-10



TL/F/5338-11

**Note:** R and C are not subjected to temperature. The C is polypropylene.

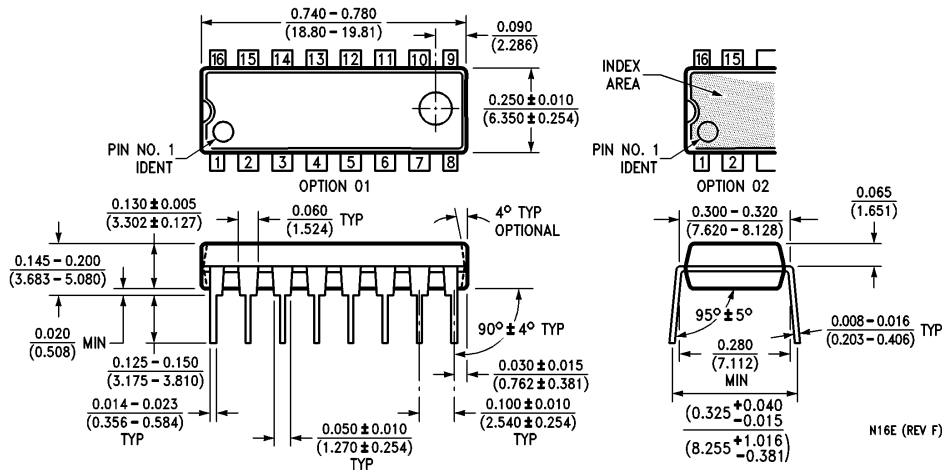
**Physical Dimensions** inches (millimeters)



**Order Number MM54HC423AJ or MM74HC423AJ**  
**NS Package J16A**

J16A (REV L)

**Physical Dimensions** inches (millimeters) (Continued)



Order Number MM74HC423AN  
NS Package N16E

**LIFE SUPPORT POLICY**

NATIONAL'S PRODUCTS ARE NOT AUTHORIZED FOR USE AS CRITICAL COMPONENTS IN LIFE SUPPORT DEVICES OR SYSTEMS WITHOUT THE EXPRESS WRITTEN APPROVAL OF THE PRESIDENT OF NATIONAL SEMICONDUCTOR CORPORATION. As used herein:

1. Life support devices or systems are devices or systems which, (a) are intended for surgical implant into the body, or (b) support or sustain life, and whose failure to perform, when properly used in accordance with instructions for use provided in the labeling, can be reasonably expected to result in a significant injury to the user.
2. A critical component is any component of a life support device or system whose failure to perform can be reasonably expected to cause the failure of the life support device or system, or to affect its safety or effectiveness.



**National Semiconductor Corporation**  
1111 West Bardin Road  
Arlington, TX 76017  
Tel: 1(800) 272-9959  
Fax: 1(800) 737-7018

**National Semiconductor Europe**  
Fax: (+49) 0-180-530 85 86  
Email: cnjwge@tevm2.nsc.com  
Deutsch Tel: (+49) 0-180-530 85 85  
English Tel: (+49) 0-180-532 78 32  
Français Tel: (+49) 0-180-532 93 58  
Italiano Tel: (+49) 0-180-534 16 80

**National Semiconductor Hong Kong Ltd.**  
19th Floor, Straight Block,  
Ocean Centre, 5 Canton Rd.  
Tsimshatsui, Kowloon  
Hong Kong  
Tel: (852) 2737-1600  
Fax: (852) 2736-9960

**National Semiconductor Japan Ltd.**  
Tel: 81-043-299-2309  
Fax: 81-043-299-2408

National does not assume any responsibility for use of any circuitry described, no circuit patent licenses are implied and National reserves the right at any time without notice to change said circuitry and specifications.