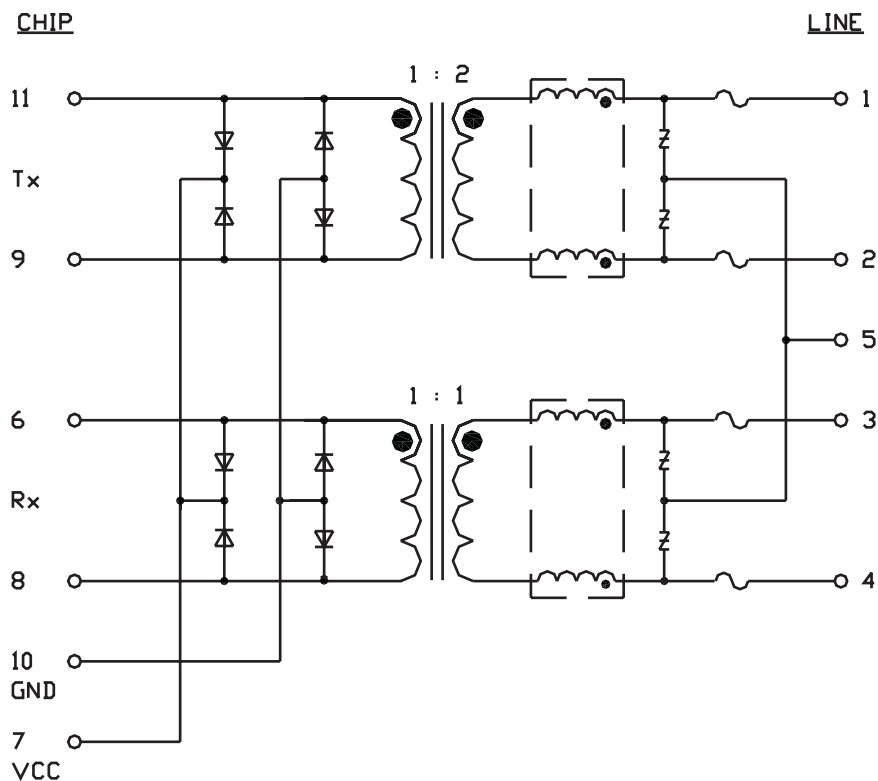


**“Slim Line” Hybrid for IDT**  
**0803-6500-04**

**FEATURES**

- Supports IDT82V2084 quad and IDT82P2282 dual channel chipsets for T1/E1 long and short haul applications,
- Minimum board space requirement - ideal for multiple interface line cards
- Protection circuit designed to meet Telcordia GR1089
- Approved to supplementary isolation 1500V, working voltage 250V of UL60950

**SCHEMATIC**





**“Slim Line” Hybrid for IDT**  
**0803-6500-04**

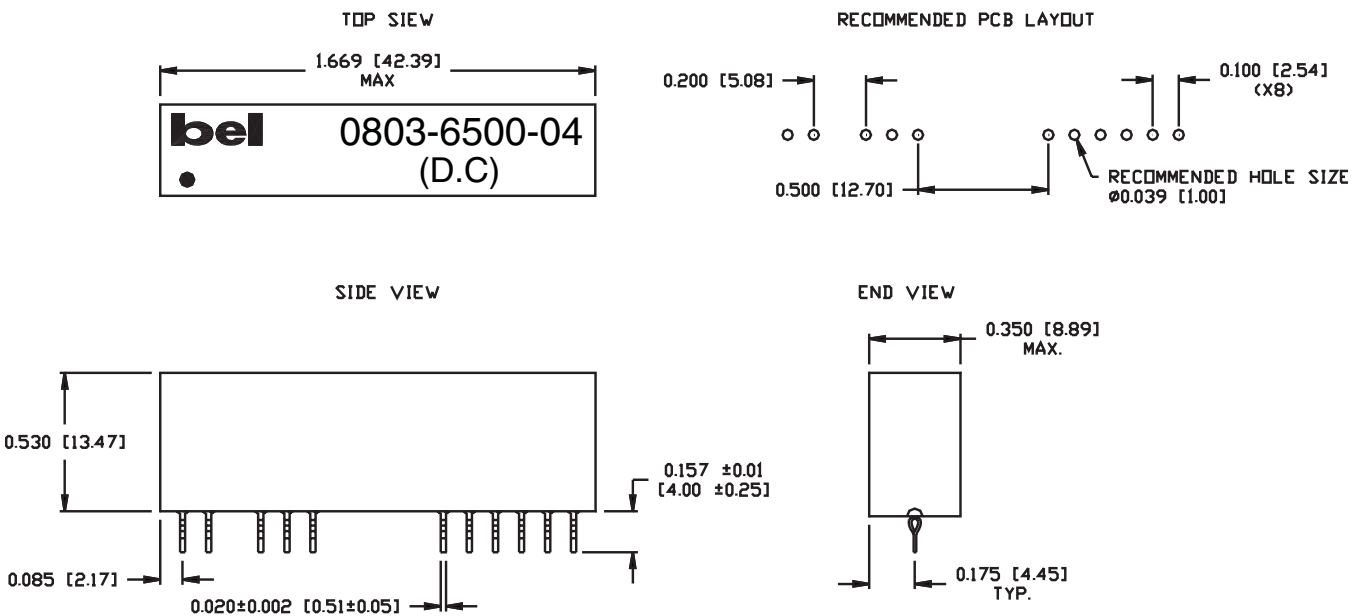
**ELECTRICAL SPECIFICATIONS @ 25° C**

IDT Chipset	Application	Protection	RX TR Chip : Line	TX TR Chip : Line
IDT82V2084 Quad IDT82P2282 Dual	T1/E1/J1 ( $Z_0 = 75/100/120 \Omega$ )	Longitudinal	1 : 1	1 : 2

**TRANSFORMER SPECIFICATIONS (RX AND TX)**

IWC pF max	DCR max	OCL (Line) mH min	LL $\mu$ H max
50	0.6R	1.2	0.6

**MECHANICAL**



NOTE: ALL DIMENSIONS IN INCHES [MM]

©2004 Bel Fuse Inc. Specifications subject to change without notice. 11.19.04

**CORPORATE**

Bel Fuse Inc.  
 206 Van Vorst Street  
 Jersey City, NJ 07302  
 Tel 201-432-0463  
 Fax 201-432-9542  
 www.belfuse.com

**FAR EAST**

Bel Fuse Ltd.  
 8F / 8 Luk Hop Street  
 San Po Kong  
 Kowloon, Hong Kong  
 Tel 852-2328-5515  
 Fax 852-2352-3706  
 www.belfuse.com

**EUROPE**

Bel Stewart Connector  
 45/46 Riverside  
 Medway City Estate  
 Rochester, Kent ME2 4DP U.K.  
 Tel 44-1634-722890  
 Fax 44-1634-716677  
 www.belfuse.com