

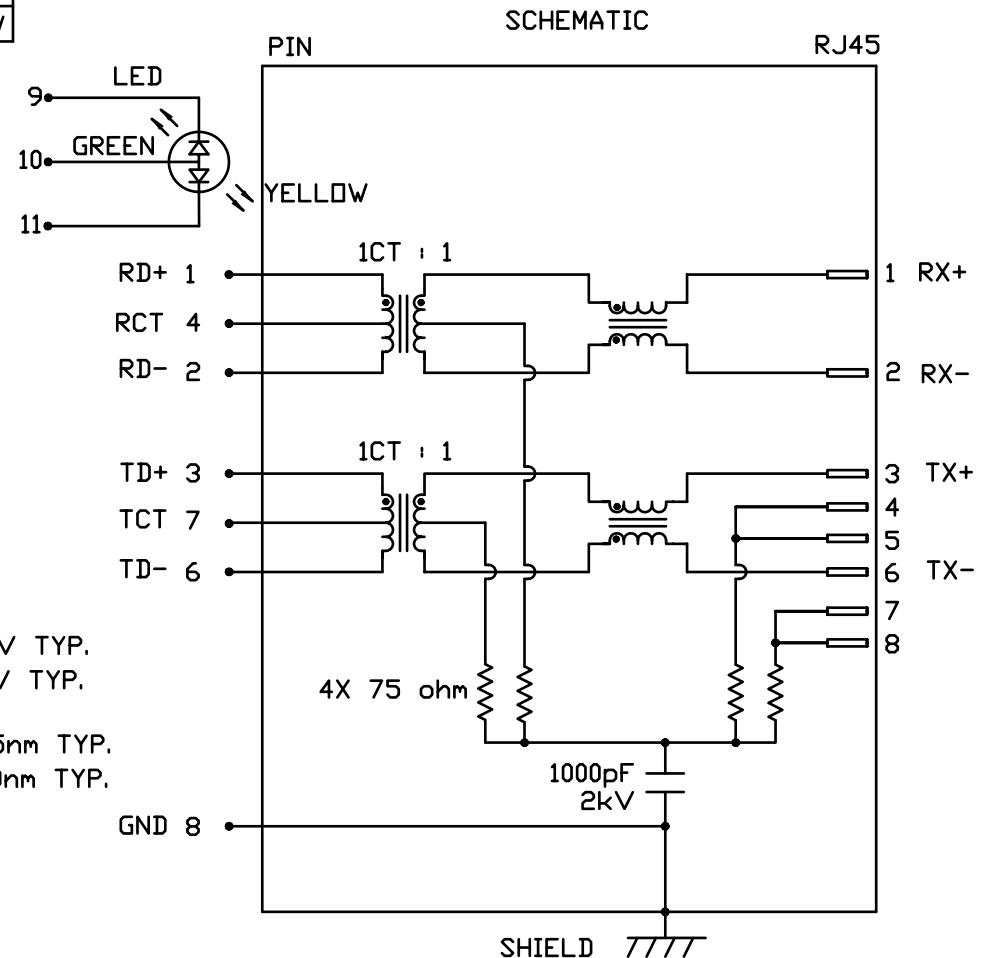
INTEGRATED CONNECTOR MODULES

0810-2H4R-28 10/100Base-TX MagJack® 2 x 4 with LEDs

LED POLARITY			
PIN 9	PIN 10	PIN 11	COLOR
-	+	/	GREEN
/	+	-	YELLOW

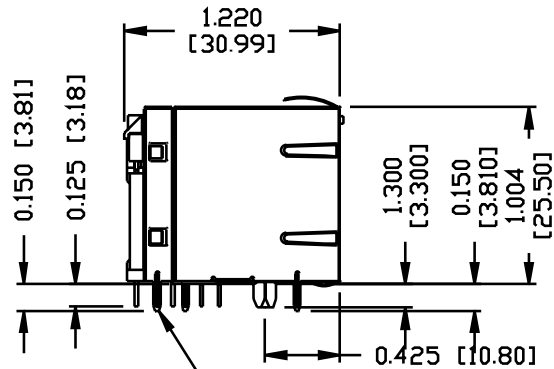
ELECTRICAL CHARACTERISTICS @ 25°C

RETURN LOSS (MIN.)				
1MHz-30MHz				-18 dB
60MHz-80MHz				-12 dB
INSERTION LOSS				
100KHz TO 100MHz				-1.1 dB
DCL @ 0.1V, 100KHz				
8mA DC BIAS				350µH MIN.
TURNS RATIO				1CT : 1CT ±3%
XTALK				
100KHz TO 100MHz				-35 dB MIN.
LED				
VF (FORWARD VOLTAGE)	IF=20mA	YELLOW	GREEN	2.2V TYP.
		YELLOW		2.1V TYP.
λD (DOMINANT WAVELENGTH)	IF=20mA	YELLOW	GREEN	565nm TYP.
		YELLOW		590nm TYP.
HIPOT (Isolation Voltage):				1500 Vrms



INTEGRATED CONNECTOR MODULES

0810-2H4R-28 10/100Base-TX MagJack® 2 x 4 with LEDs

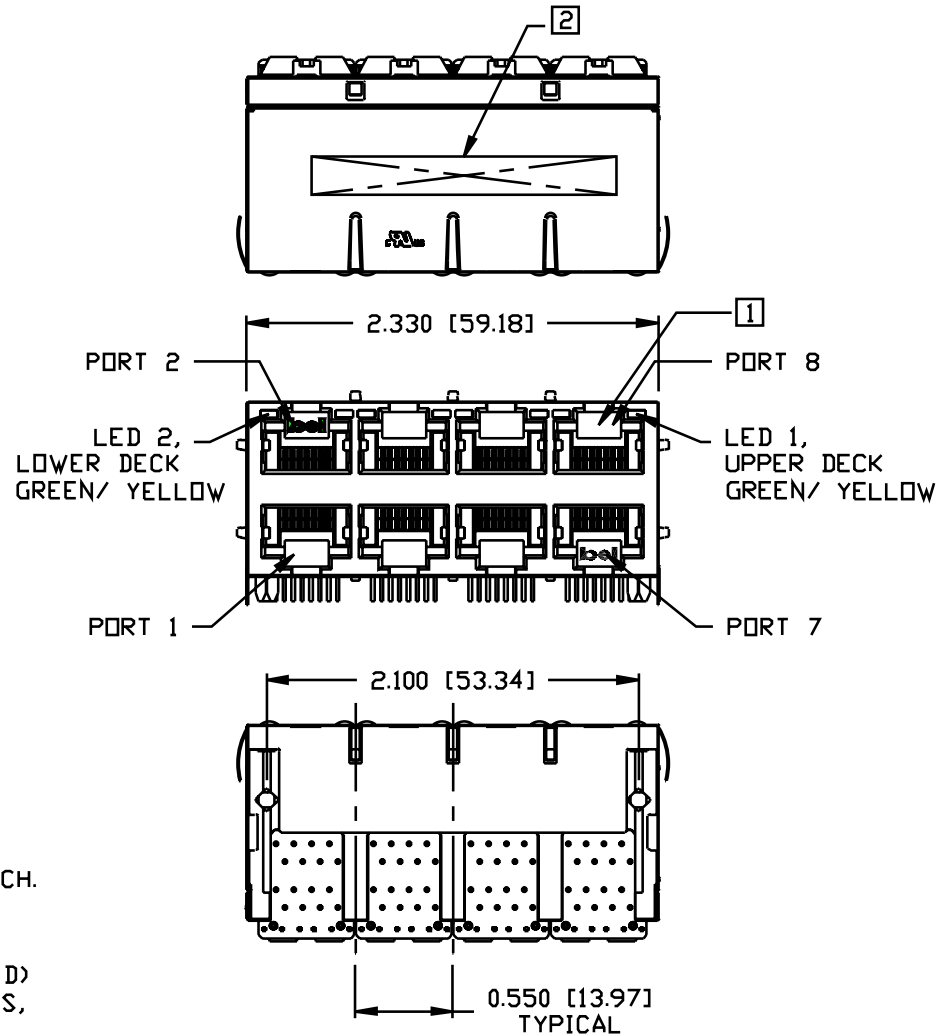


SOLDER DIPPED
GROUND LEAD (4X)

NOTES:

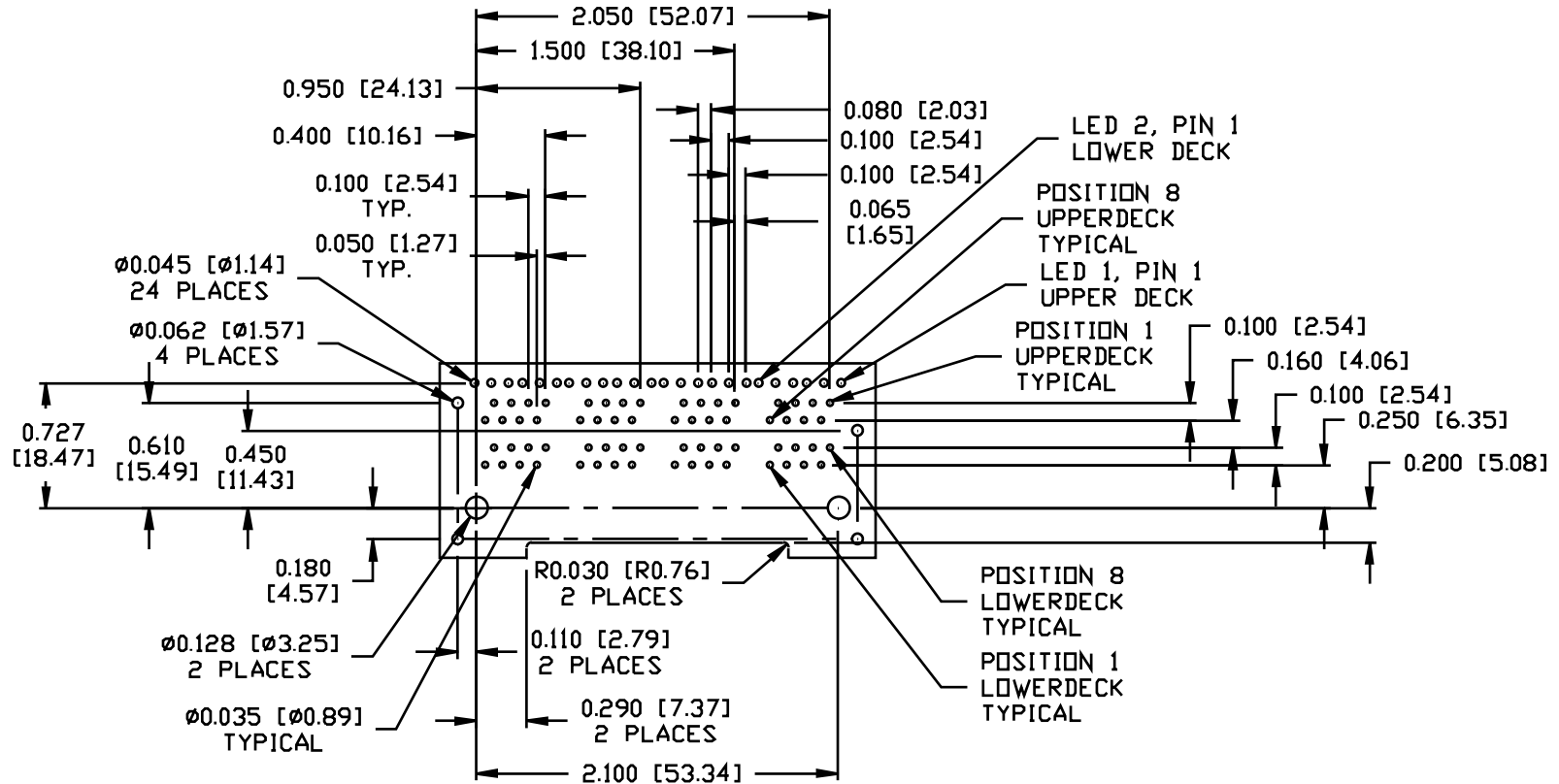
- PLASTIC HOUSING: THERMOPLASTIC PBT
FLAMMABILITY RATING UL 94V-0
- CONTACT PLATING: 50 MICRO-INCH HARD GOLD PLATING
- OUTPUT PINS: TIN-COATED COPPER WIRE, DIA 0.018 INCH.
- SOLDERABILITY: PER MIL STD. 202, METHOD 208.
- METAL SHIELD: NICKEL PLATED COPPER ALLOY.
(ALL GROUND LEADS ARE SOLDER DIPPED)

- 1. JACK CAVITY CONFORMS TO FCC RULES AND REGULATIONS, PART 68 SUBPART F.
 - 2. MARK PART WITH MFG LOGO, MFG NAME, PART NUMBER, AND DATE CODE.
- UL RECOGNIZED - FILE #E196366 AND E169987.



INTEGRATED CONNECTOR MODULES

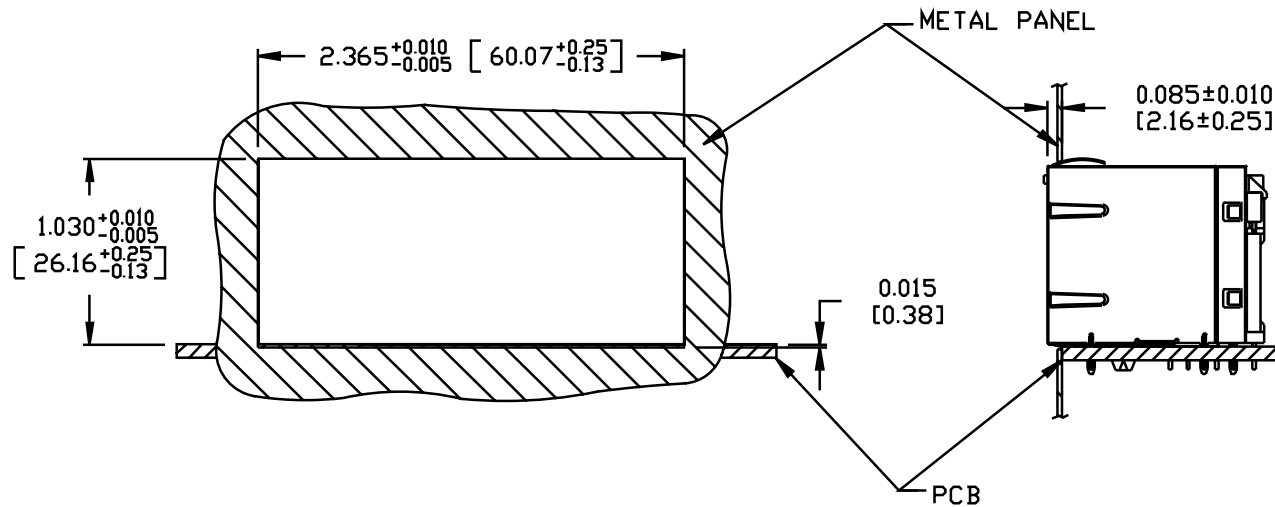
0810-2H4R-28 10/100Base-TX MagJack® 2 x 4 with LEDs



PC BOARD LAYOUT VIEWED FROM COMPONENT SIDE

INTEGRATED CONNECTOR MODULES
0810-2H4R-28 10/100Base-TX MagJack® 2 x 4 with LEDs

SUGGESTED PANEL OPENING



NOTES:

THE DISTANCE OF PANEL INSIDE SURFACE RELATIVE TO FRONT SURFACE OF PART IS ONLY A SUGGESTION. IN CASE THIS DISTANCE IS DIFFERENT, THE REQUIRED PANEL OPENING DIMENSIONS CHANGE ACCORDINGLY.

PACKING INFORMATION

PACKING TRAY : 0200-0148-50 (TOP)
 0200-0148-51 (BOTTOM)

PACKING QUANTITY : 20 PCS FINISHED GOODS PER TRAY
 7 TRAY (140 PCS FINISHED GOODS) PER CARTON BOX

NOTE : CARDBOARDS ARE PLACED BETWEEN LAYERS OF PACKING TRAY INSIDE CARTON BOX
 (INCLUDE THE UPPERMOST AND LOWERMOST TRAY)