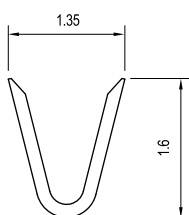
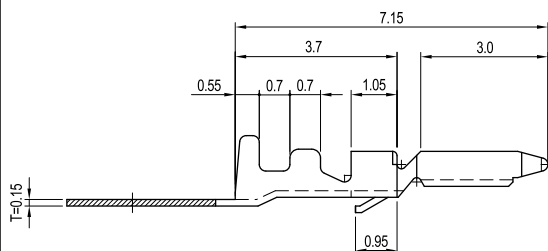
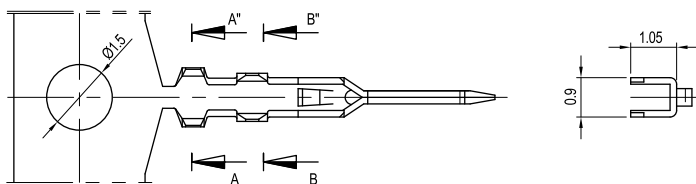
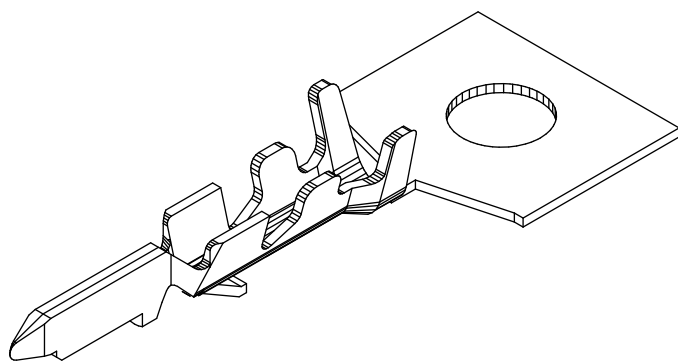


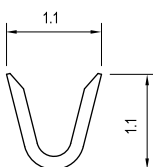
# 1.25mm (0.049") PITCH CONNECTOR

Wire-to-Wire(plug)  
Crimp Terminal

12505TP Series



SECTION A-A'



SECTION B-B'

## Material

I/NO	DESCRIPTION	TITLE	AWG	MATERIAL	FINISH
1	TERMINAL	12505TP	#28~#32	Phosphor Bronze	Tin Plated

## Specification

ITEM	SPEC
Voltage Rating	AC/DC 125V
Current Rating	AC/DC 1A
Operating Temperature	-25℃~+85℃
Contact Resistance	30mΩ MAX
Withstanding Voltage	AC250V/1min
Insulation Resistance	100MΩ MIN
Applicable Wire	AWG #28~#32
Applicable P.C.B	-
Applicable FPC/FFC	-
Solder Height	-
Crimp Tensile Strength	AWG #28 : 1.0kgfMIN AWG #30 : 0.8kgfMIN AWG #32 : 0.5kgfMIN
UL FILE NO	-