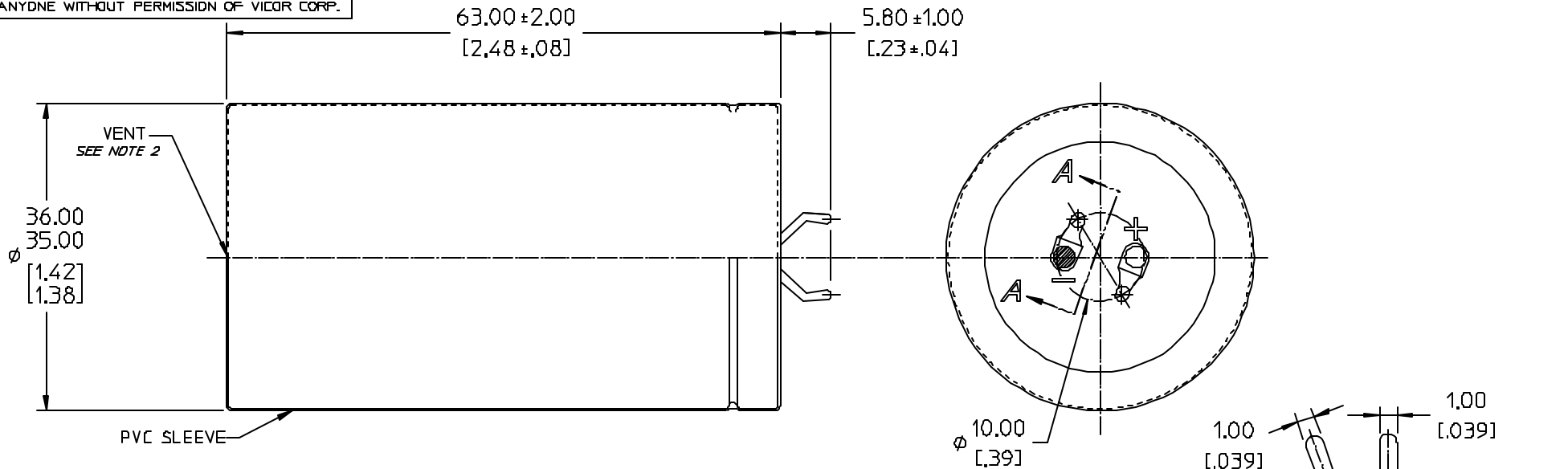


VICOR CONFIDENTIAL

THIS DOCUMENT AND THE DATA DISCLOSED HEREIN OR HEREWITH IS NOT TO BE REPRODUCED, USED, OR DISCLOSED IN WHOLE OR IN PART TO ANYONE WITHOUT PERMISSION OF VICOR CORP.

REV	DESCRIPTION	DATE	APPROVED
01	RELEASED PER E0230174	PEI 4/29/02	JMR

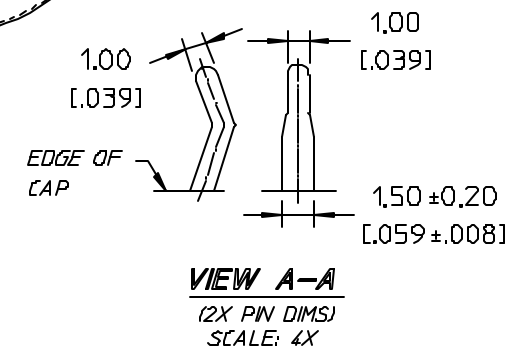


ELECTRICAL CHARACTERISTICS @ $T_a = +20^\circ\text{C}$, 120Hz (UNLESS OTHERWISE SPECIFIED)

PARAMETER	SYMBOL	MIN	MAX	UNITS	TEST CONDITIONS
CAPACITANCE	C	1978	2422	μF	
WORKING VOLTAGE	V_{DCW}	200		V	
SURGE VOLTAGE	V_{SURGE}		250	V	
LEAKAGE CURRENT	I_{DCL}		3.0	mA	after 5 MIN @ $+20^\circ\text{C}$
DISSIPATION FACTOR	$\tan \delta$		0.15		
EQUIVALENT SERIES RESISTANCE	ESR		0.113	Ω	
RIPPLE CURRENT	I_{RIPPLE}		3.62	Arms	$T_a = +105^\circ\text{C}$
OPERATING TEMPERATURE RANGE	T_{OP}	-25	+105	$^\circ\text{C}$	

MAXIMUM PERMISSIBLE RIPPLE CURRENT

FREQUENCY MULTIPLIER						TEMPERATURE MULTIPLIER					
FREQUENCY IN Hz						TEMPERATURE	+45°C	+60°C	+70°C	+85°C	+105°C
50	120	300	1K	10K	100K	MULTIPLIER	2.64	2.23	2.12	1.73	1.00
0.81	1	1.17	1.32	1.45	1.50						



NOTES:

- MATERIAL: ALUMINUM ELECTROLYTIC.
- VENT MAY BE LOCATED ON EITHER SIDE OR BOTTOM OF CAP.
- FOR ADDITIONAL SPECS & DIMENSIONS- CONTACT VENDOR & CHECK DATA SHEET.

DRAWN BY D.P. KELLY		DATE 1/02							
UNLESS OTHERWISE SPECIFIED DIMENSIONS ARE IN MM(IN)- TOLERANCES ARE									
DECIMALS		ANGLES		CAPACITOR, ALEL, RADIAL, 2200μF, $\pm 20\%$, 200V					
XX- ± 0.254 [01]		XX- $\pm 1^\circ$							
XXX- ± 0.127 [005]				THIRD ANGLE PROJECTION		SIZE	FSCM NO.	DWG NO	REV
						B	67131	18741	01
						SCALE 2X		SHEET 1 OF 1	