

2.00mm (0.079") PITCH CONNECTOR

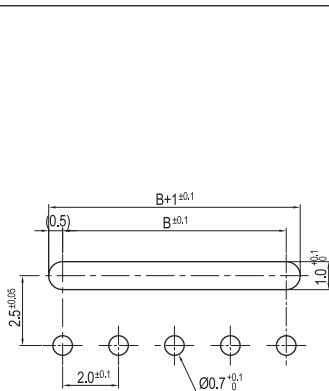
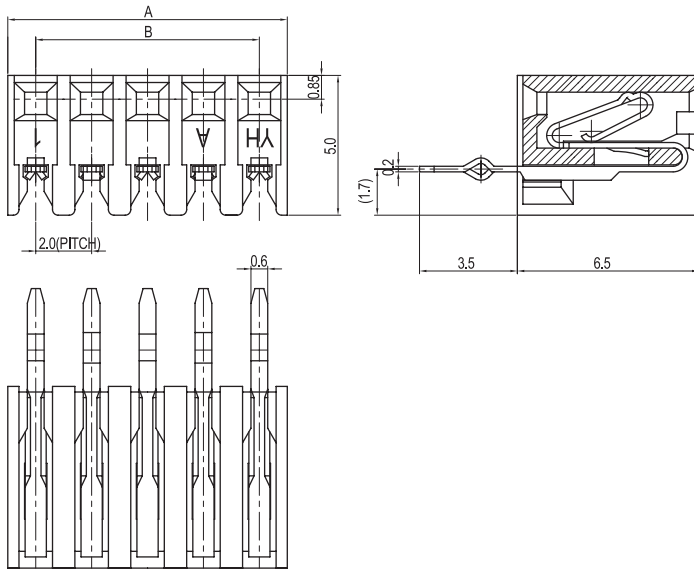
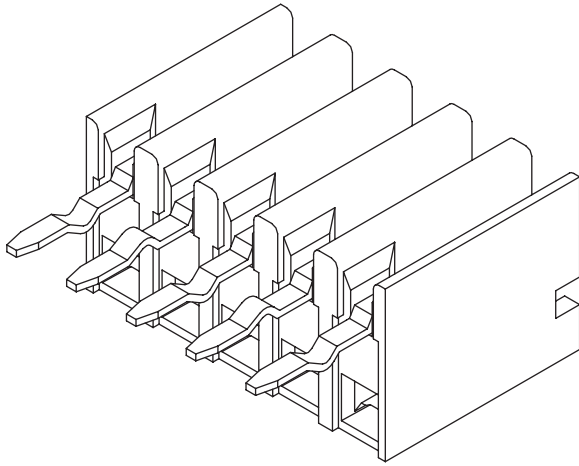


**Board-to-Board
Housing**

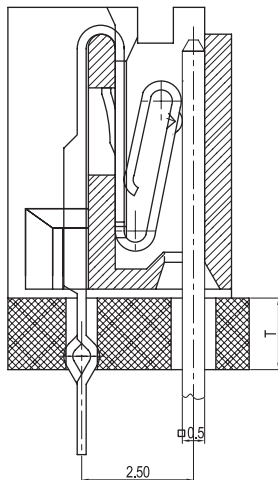
20046HS Series

DIP

Back Straight



PCB LAYOUT



PCB ASS'Y

Material

I/NO	DESCRIPTION	TITLE	MATERIAL
1	HOUSING	20046HS	PA66, UL 94V Grade
2	TERMINAL	20046TS	Phosphor Bronze & Tin-Plated

Available Pin

PARTS NO.	A	B
20046HS-03A00	6.0	4.0
20046HS-04A00	8.0	6.0
20046HS-05A00	10.0	8.0
20046HS-06A00	12.0	10.0
20046HS-07A00	14.0	12.0
20046HS-08A00	16.0	14.0
20046HS-09A00	18.0	16.0
20046HS-10A00	20.0	18.0
20046HS-11A00	22.0	20.0
20046HS-12A00	24.0	22.0
20046HS-13A00	26.0	24.0
20046HS-14A00	28.0	26.0
20046HS-15A00	30.0	28.0

Specification

ITEM	SPEC
Voltage Rating	AC/DC 250V
Current Rating	AC/DC 1.5A
Operating Temperature	-25°C~+85°C
Contact Resistance	30mΩ MAX
Withstanding Voltage	AC500V/1min
Insulation Resistance	1000MΩ MIN
Applicable Wire	-
Applicable P.C.B	1.2~1.6mm
Applicable FPC/FFC	-
Solder Height	-
Crimp Tensile Strength	-
UL FILE NO	-