

POWER TRANSISTOR

DESCRIPTION

The UTC 2SB798 is designed for audio frequency power amplifier applications, especially in Hybrid Integrated Circuits.

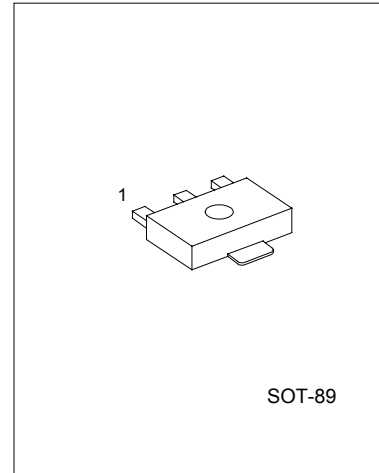
FEATURES

*Low Collector Saturation Voltage:

$$V_{CE(sat)} < -0.4V \quad (I_c = -1.0A, I_b = -100mA)$$

*Excellent DC Current Gain Linearity :

$$hFE = 100 \text{ Typ.} \quad (V_{CE} = -1.0V, I_c = -1.0A)$$



SOT-89

1:EMITTER 2:COLLECTOR 3:BASE

ABSOLUTE MAXIMUM RATINGS (Ta=25°C)

PARAMETER		SYMBOL	RATING	UNIT
Collector-Base Voltage		V _{CB0}	-30	V
Collector-Emitter Voltage		V _{CEO}	-25	V
Emitter-Base Voltage		V _{EB0}	-5.0	V
Collector Current	DC	I _c	-1.0	A
	Pulse(note 1)		-1.5	A
Collector Dissipation (note 2)		P _c	2	W
Junction Temperature		T _j	150	°C
Storage Temperature		T _{STG}	-55 ~ +150	°C

Note 1: PW ≤ 10ms, Duty Cycle ≤ 50%

Note 2: When mounted on a ceramic substrate of 16cm² × 0.7 mm.

ELECTRICAL CHARACTERISTICS (Ta=25°C, unless otherwise specified)

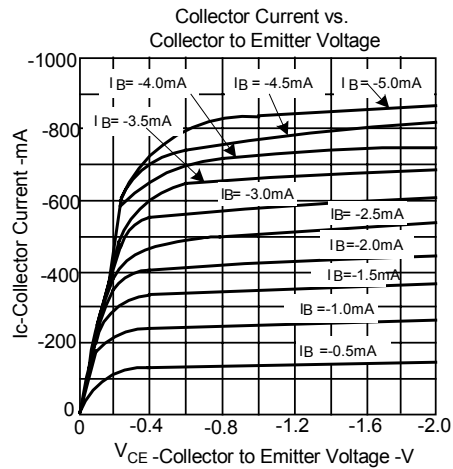
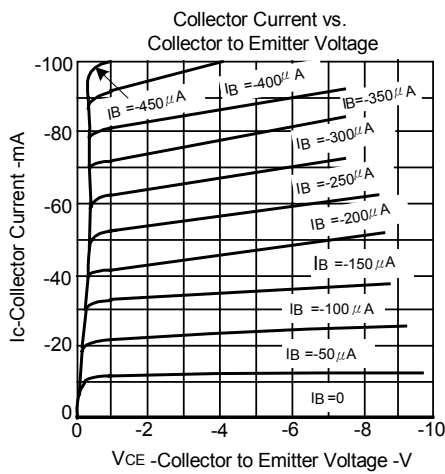
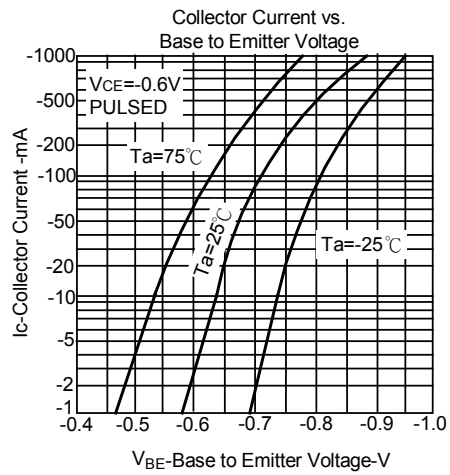
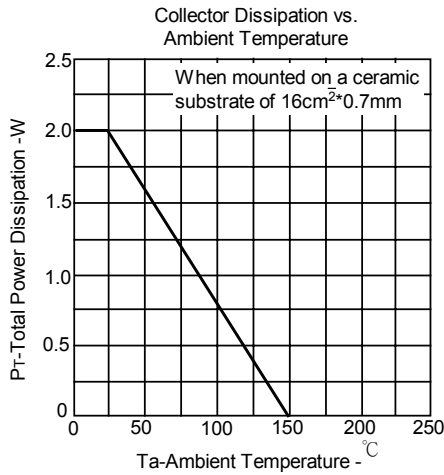
PARAMETER	SYMBOL	TEST CONDITIONS	MIN	TYP	MAX	UNIT
Collector Cut-Off Current	I _{CB0}	V _{CB} = -30V, I _E = 0			-100	nA
Emitter Cut-Off Current	I _{EB0}	V _{EB} = -5.0V, I _c = 0			-100	nA
DC Current Gain	hFE1	V _{CE} = -1.0V, I _c = -100mA	90	200	400	
DC Current Gain	hFE2	V _{CE} = -1.0V, I _c = -1.0A	50	100		
Base to Emitter Voltage	V _{BE}	V _{CE} = -6.0V, I _c = -10mA	-600	-640	-700	mV
Collector-Emitter Saturation Voltage	V _{CE(sat)}	I _c = -1.0A, I _b = -0.10A		-0.25	-0.40	V
Base-Emitter Saturation Voltage	V _{BE(sat)}	I _c = -1.0A, I _b = -0.10A		-1.0	-1.2	V
Gain Bandwidth Product	f _T	V _{CE} = -6.0V, I _E = 10 mA		110		MHz
Output Capacitance	C _{ob}	V _{CB} = -6.0V, I _E = 0, f = 1MHz		36		pF

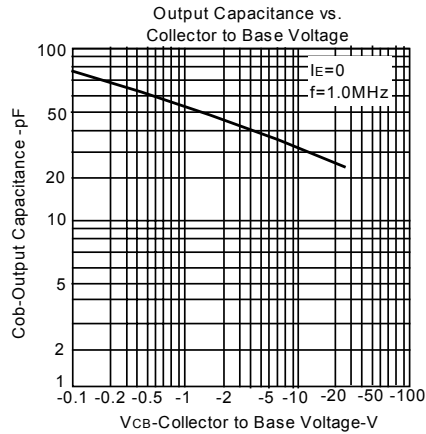
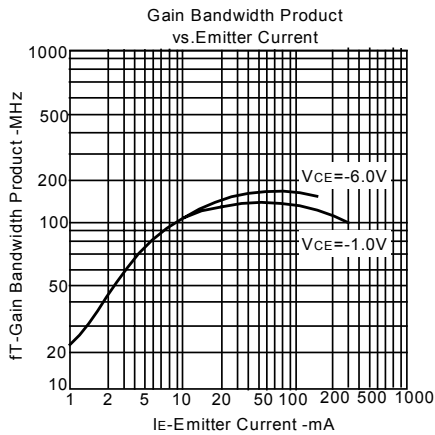
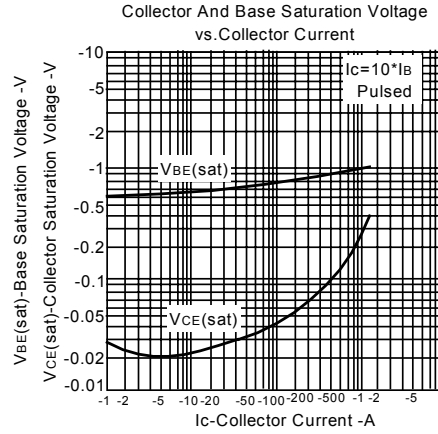
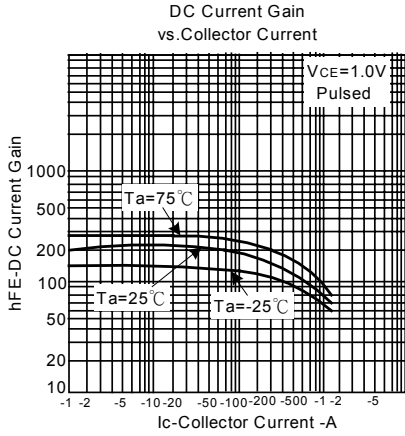
Note 3: PW ≤ 350 μs, Duty Cycle ≤ 2%

CLASSIFICATION OF hFE1

MARKING	DM	DL	DK
hFE1	90-180	135-270	200-400

ELECTRICAL CHARACTERISTICS CURVES





UTC assumes no responsibility for equipment failures that result from using products at values that exceed, even momentarily, rated values (such as maximum ratings, operating condition ranges, or other parameters) listed in products specifications of any and all UTC products described or contained herein. UTC products are not designed for use in life support appliances, devices or systems where malfunction of these products can be reasonably expected to result in personal injury. Reproduction in whole or in part is prohibited without the prior written consent of the copyright owner. The information presented in this document does not form part of any quotation or contract, is believed to be accurate and reliable and may be changed without notice.