

# Inverse DIN 41612 Header

Two Row Type Q (Rows A & B Filled)

7064 Series



- High density (64 position)
- Accepts 3435-1 keying plug system

Date Modified: February 19, 1999

TS-0428-06  
Sheet 1 of 2

92

---

## Physical

### Insulation

Material: Glass Filled Polyester (PBT)  
Flammability: UL 94V-0  
Color: Gray

### Contact

Material: Brass  
Plating  
Underplate: 79  $\mu$ " (2.00  $\mu$ m) Nickel — QQ-N-290, Class 2  
Wiping Area: 15  $\mu$ " (0.38  $\mu$ m) Gold — MIL-G-45204, Type II, Grade C  
Solder Tails: 200  $\mu$ " (5.08  $\mu$ m) 60/40 Tin Lead — MIL-P-81728

---

## Electrical

**Current Rating:** 3 A  
**Insulation Resistance:**  $> 1 \times 10^{12} \Omega$  at 1000 Vdc  
**Withstanding Voltage:** 1000 Vrms at Sea Level  
**Contact Resistance:**  $< 15$  Milliohms

---

## Environmental

**Temperature Rating:**  $-55^{\circ}\text{C}$  to  $+125^{\circ}\text{C}$

UL File No.: E68080

---

### 3M Interconnect Solutions Division

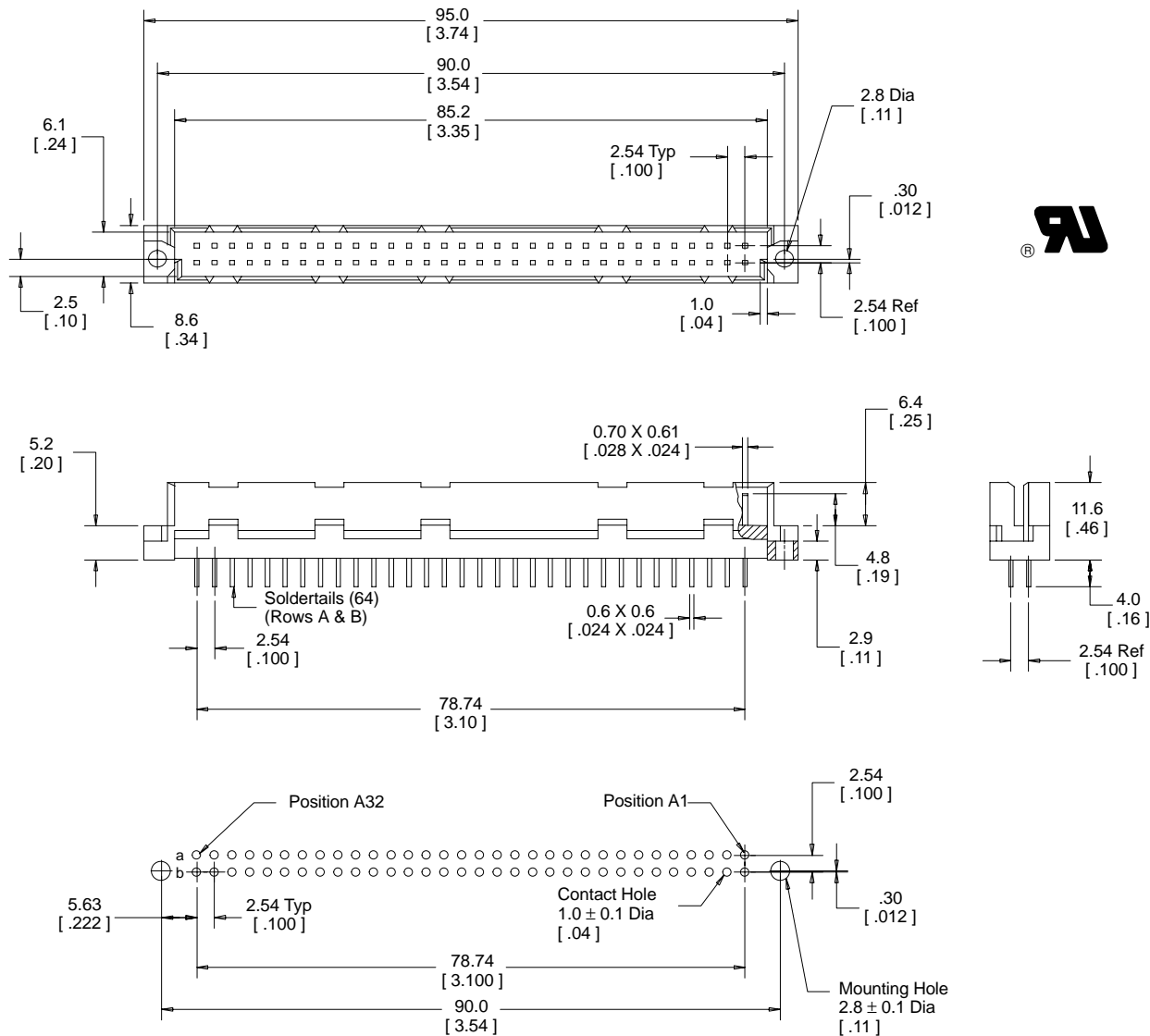
6801 River Place Blvd.  
Austin, TX 78726-9000

For technical, sales or ordering information call  
**800-225-5373**

# Inverse DIN 41612 Header

## Two Row Type Q (Rows A & B Filled)

7064 Series



**Recommended Hole Pattern**  
(Shown for Mounting Side of Board)

mm [Inch]		
Tolerance Unless Noted		
	.0	.00 .000
mm	± .3	± .13

[ ] Dimensions for Reference only

### Ordering Information

**Inverse Din 41612**  
**Straight Header**  
**7064-60B3TH**

TS-0428-06  
Sheet 2 of 2

### 3M Interconnect Solutions Division

6801 River Place Blvd.  
Austin, TX 78726-9000

For technical, sales or ordering information call  
**800-225-5373**