

# 7334L2622F05LF

Catalogue Part Number Key

Lead Free Version (Optional)

Plating : contact area  
 2: 0.4 µm Gold  
 5: 2.0 µm Gold

Number of contacts :  
 2: 8 contacts ISO  
 3: 16 contacts ISO + AFNOR

**GENERAL:**  
 This L26 connector uses a "sliding" contact technology suitable for most applications.  
 It has been designed for easy mounting on the PCB.

**ELECTRICAL PROPERTIES:**  
 Insulation resistance : 5000 MΩ min  
 Dielectric withstanding : 750 Vrms min  
 Current carrying capacity : 10µA min. 1A max  
 Contact resistance : 100mΩ max  
 Card sensor type : Normally closed

**MECHANICAL PROPERTIES:**  
 Contact Normal force : 0.6 N max (EMV Standard)  
 Insertion force : 10 N max  
 Extraction force : 1 N min  
 Durability : 10000 card insertions with 0.4µm Gold  
 According to UTE C93-421

**MATERIAL:**  
 Housing : PBT 30 % Glass Filled, Colour Black, Rated UL94V0  
 Contacts and switch : Phosphor bronze  
 Plating : Nickel all over with 3µm mini on contact area  
 Gold on contact area : see catalogue part number key  
 Tin/Lead 3 µm mini on soldertails  
**FOR LEAD FREE PLATING :**  
 Matte Tin 3µm mini on solder tail in place of Tin/Lead  
 Bare edge allowed

**ENVIRONMENT:**  
 Operating temperature: -20°C / +70°C  
 Storage temperature: -40°C / +85°C  
 Printed Circuit Board thickness : 1.6mm

**REFERENCE DOCUMENTS:**  
 Product specification VGN 11596  
 Packaging Specification VGN 11619

**LEAD FREE VERSION:**

"This product meets European Union Directives and other country regulations as described in GS-22-008"

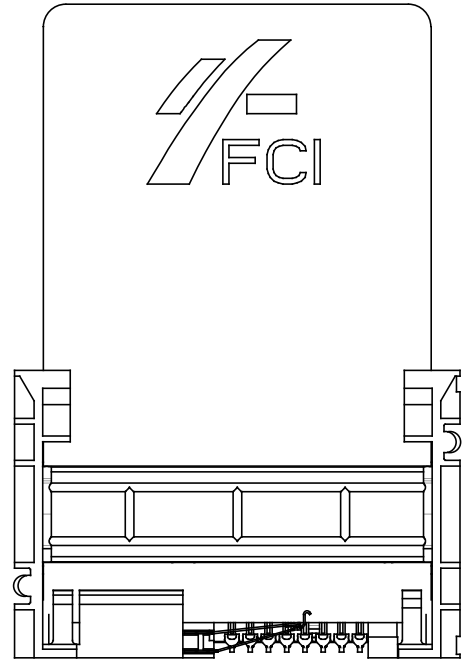
The housing will withstand exposure to 260°C peak temperature for 10seconds in a wave solder application with a 1.6mm minimum thick circuit board. Use protective adhesive tape (Kapton orTeflon) or protective metallic devices on the areas which are directly exposed to wave soldering as it is used in classical leaded wave soldering

General Tolerances: ± 0.2 mm

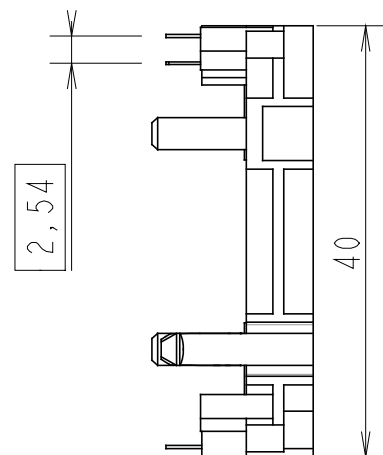
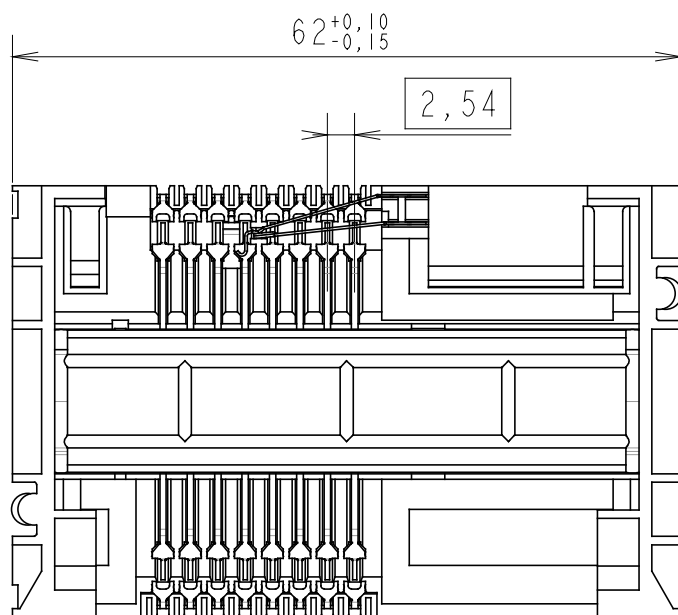
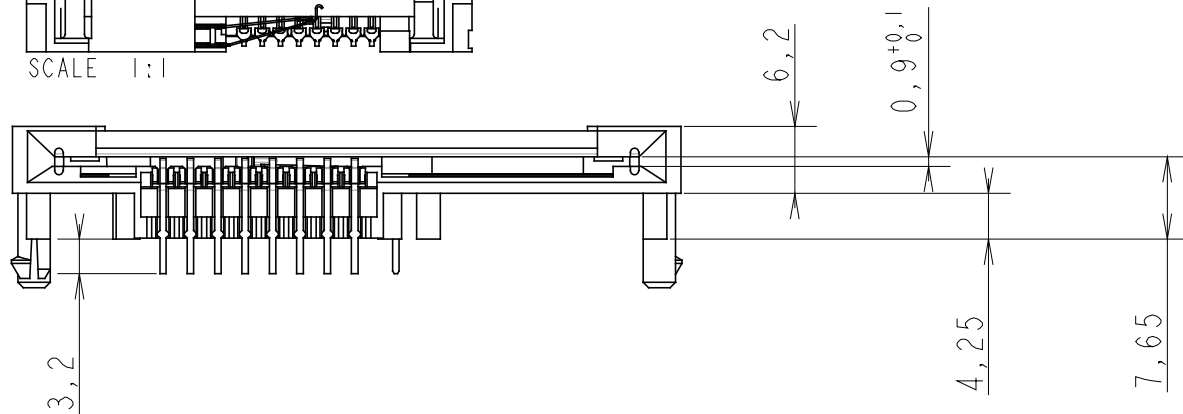
Tous droits strictement réservés. Reproduction ou communication a des tiers interdite sous quelque forme que ce soit sans autorisation écrite du propriétaire. Propriété de c FCI. Droits de reproduction FCI.



All rights strictly reserved. Reproduction or issue to third parties in any form whatever is not permitted without written authority from the proprietor. Property of FCI. Copyright FCI.



SCALE 1:1

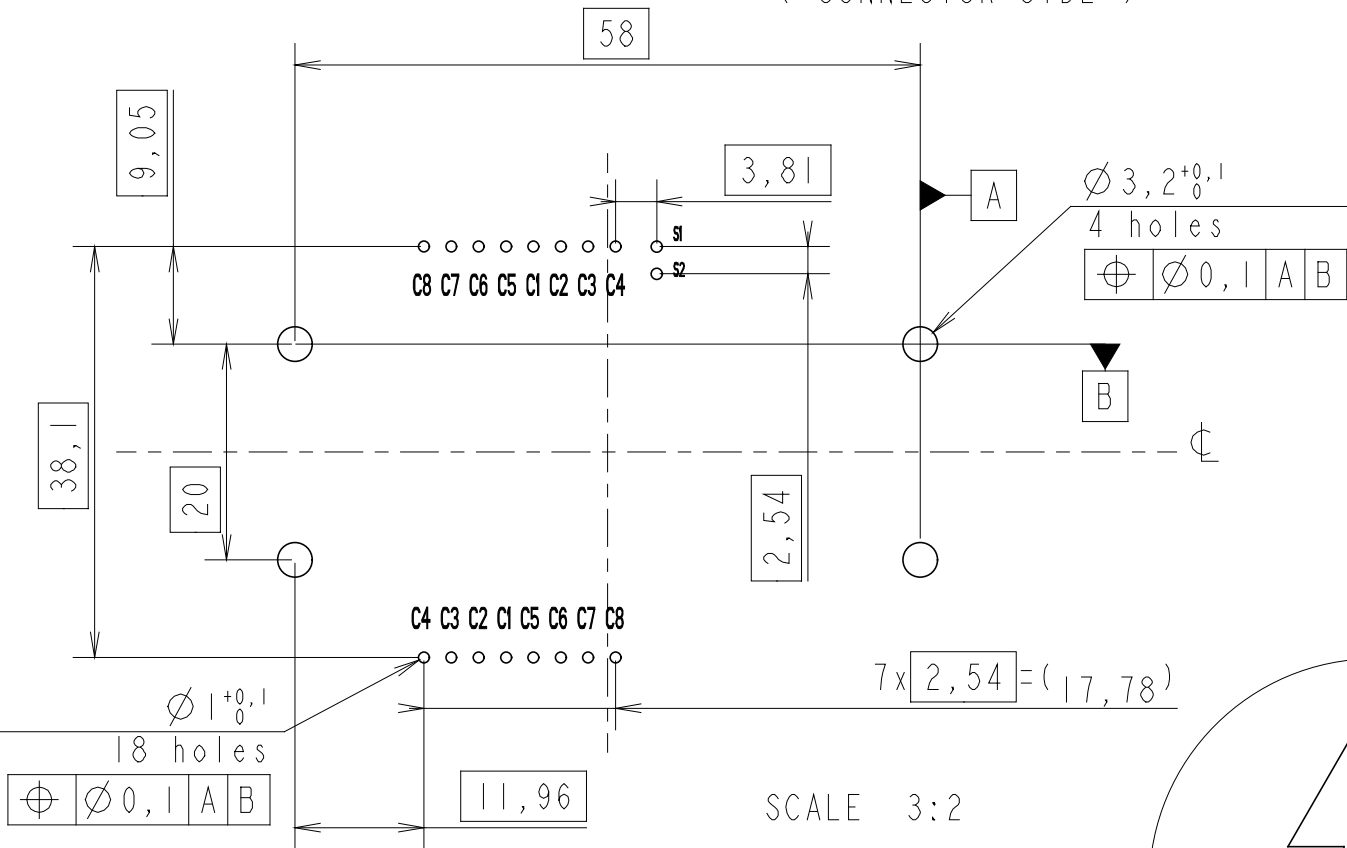


l/tr	ecn no	dr	date
A	F20307	DLE	02/04/30
B	LS 3053	JTA	03/05/13
C	105-0071	DTK	'05/06/25
-	-	-	-
-	-	-	-
-	-	-	-

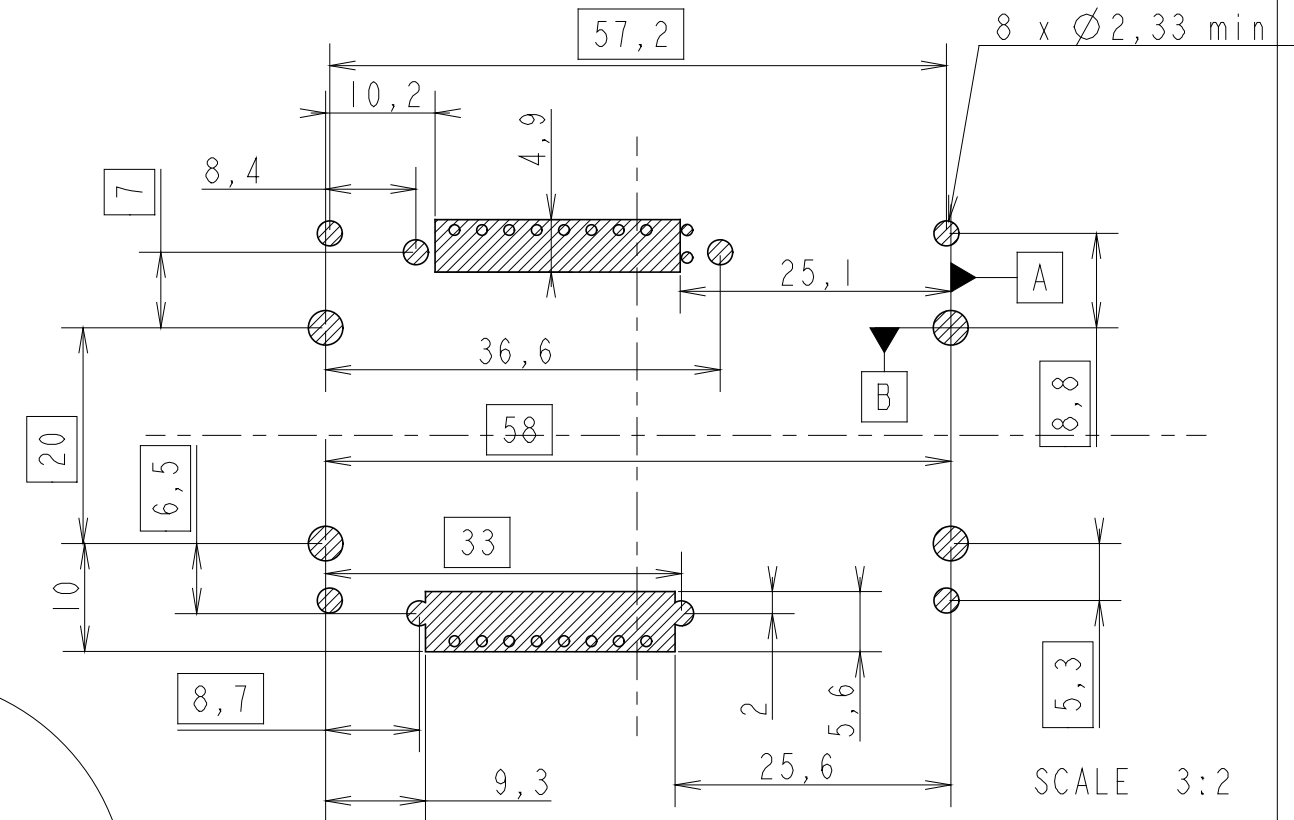
www.fciconnect.com		surface - ✓ ISO 1302	tolerance ISO 406 ISO 1101	projection 	mm ↔
Dr	DILIPTHOMAS	02.04.30	Product family	5S2F	size
Eng	F TISSERAND	02.04.30	Spec ref	SEE NOTES	A3
Chr	N.TWENCY	'05/06/25	Material	SEE NOTES	ECN
Appr	K SOMA	'05/06/25			105-0071
title			L26 TYPE F05		Rev.
dwg no			VJW_54705		C
catalog no			SEE TABLE	CUSTOMER COPY	sheet 1 of 2

Tous droits strictement réservés. Reproduction ou communication e des tiers interdite sous quelque forme que ce soit sans autorisation écrite du propriétaire. Propriété de e FCI. Droits de reproduction FCI.

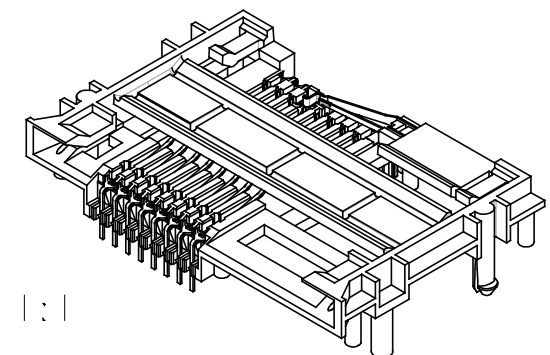
**RECOMMENDED PCB LAYOUT** CONTACT CONFIGURATION : ISO & AFNOR (CONNECTOR SIDE)



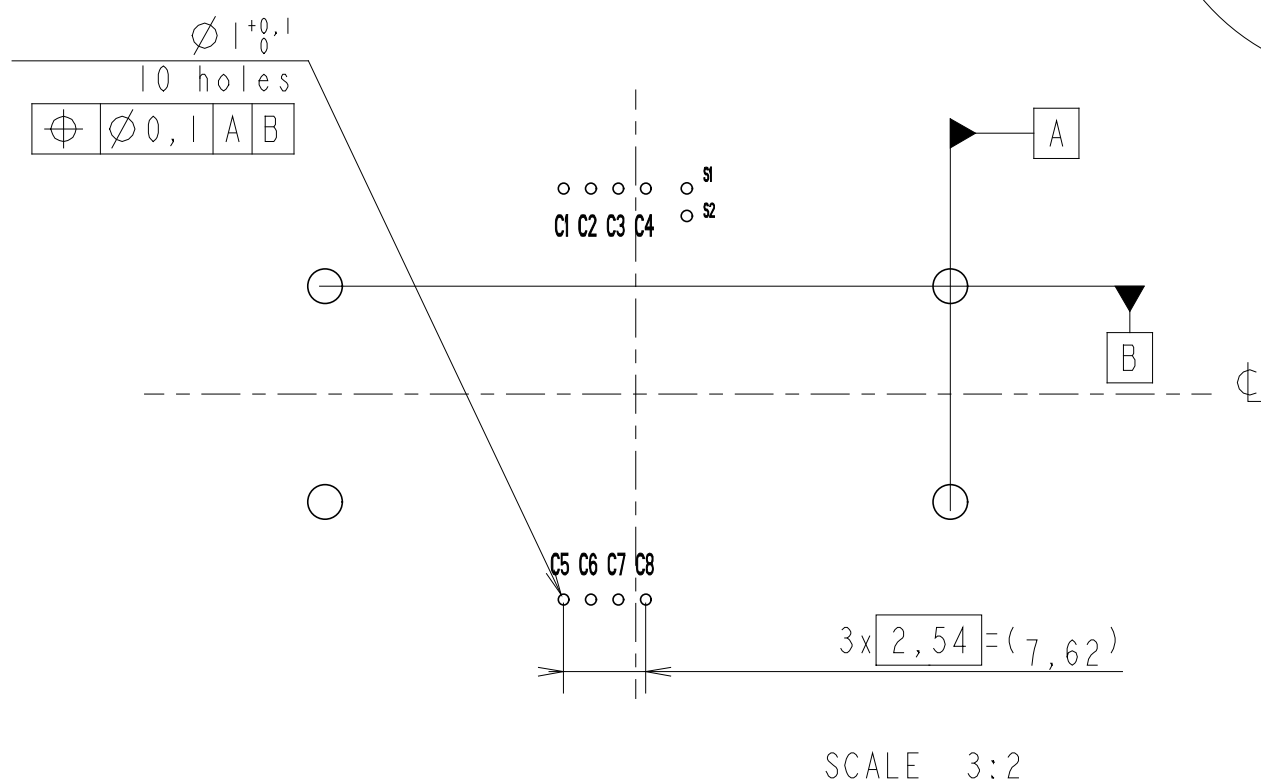
**STANDARD LAYOUT FOR 'KEEP OUT ZONE' (Connector Side)**



Hatching area might be free of components  
Maximum free space outside of these zones = 4.25 mm



**RECOMMENDED PCB LAYOUT** CONTACT CONFIGURATION : ISO (CONNECTOR SIDE)



EUROPEAN PROJECTION

		www.fciconnect.com	surface - <input checked="" type="checkbox"/> ISO 1302	tolerance <input checked="" type="checkbox"/> ISO 406 <input checked="" type="checkbox"/> ISO 1101	projection	mm
Dr	DILIPTHOMAS	02.04.30	Product family	5S2F	size	Scale
Eng	F TISSERAND	02.04.30	Spec ref	SEE NOTES	A3	3:2
Chr	N.TWINCY	'05/06/25	Material	SEE NOTES	ECN	105-0071
Appr	K SOMA	'05/06/25				
title	L26 TYPE F05			dwg no	VJW_54705	
Rev.						C
catalog no	SEE TABLE			CUSTOMER COPY		sheet 2 of 2

All rights strictly reserved. Reproduction or issue to third parties in any form whatever is not permitted without written authority from the proprietor. Property of FCI. Copyright FCI.