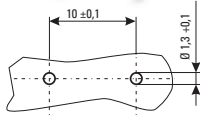
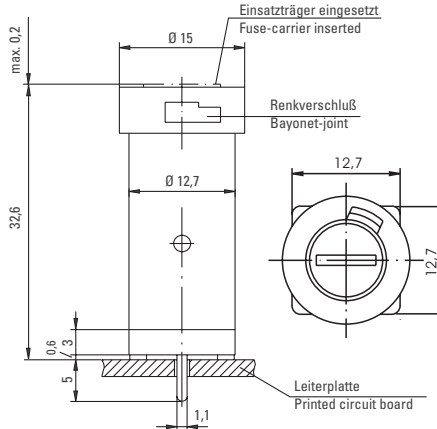


## Holder / No. 834



Lücher in der Leiterplatte  
Holes in the printed circuit board

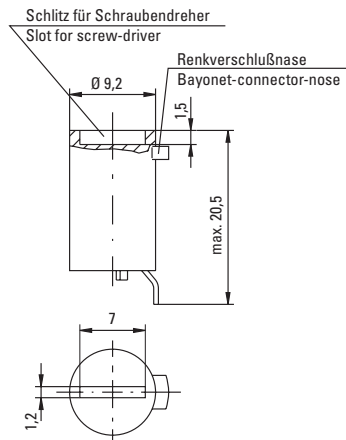
## PCB mount, vertical for 5x20 mm Fuses



## Cap / No. 835



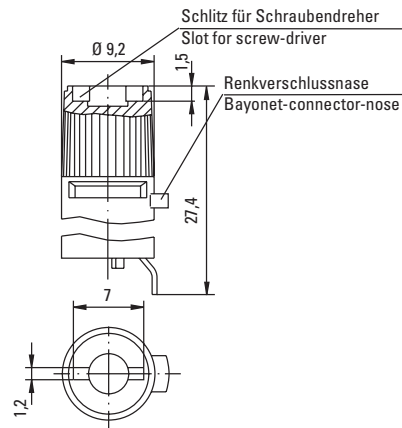
Flush Mount Type



## Cap/ No. 837



Finger Grip Type



## Specifications

### Packaging

0 Karton (100 pcs.)

### Standard

IEC 60127-6  
UL 512  
GSA C22.2. No.39

### Approvals



### Mounting

(2) Solder pins 0.5mm x 1.1mm

### Protection Class & Category

IP 40 (IEC 60529)  
PC2 (IEC 60127-6)

### Materials

Holder/Cap: Black Thermoplastic  
Polyamide PA 6.6, UL94 V-0  
Metal Parts: Copper alloy,  
corrosion protected  
Terminals: Solderable, tinned

### Electrical Data (40°C)

Rated Voltage: 250V  
Rated Current: 6.3A (VDE/SEMKO)  
16A (UL/CSA)  
Rated Power: 2.5W (834+835 - VDE/SEMKO)

### Operating Temperature

-25°C to +70°C (consider de-rating)

### Climatic Test

-25°C/+70°C/21 days (IEC 60068-2-1...3)

### Stock Conditions

+10°C to +60°C  
relative humidity ≤ 75% yearly average,  
without dew, maximum value for 30 days - 95%

### Vibration Resistance

24 cycles at 15 min. each (IEC 60068-2-6)  
10 - 60Hz at 0.75mm amplitude  
60 - 2000Hz at 10g acceleration

### Contact Resistance

≤ 5mΩ

### Dielectric Strength

> 1.5 kV

### Impulse Voltage

4 kV with 1,2µs/50µs

### Insulation Resistance

> 10<sup>3</sup> MΩ (500 VDC, 1 min.)

### Solderability

235°C, 2 sec. (Soldering bath) (IEC 60068-2-20)  
350°C, 3 sec. (Soldering Iron) (IEC 60068-2-20)

### Soldering Heat Resistance

260°C, 5 sec. (Soldering bath) (IEC 60068-2-20)

### Minimum Cross Section

Conducting path - 0.2mm<sup>2</sup>

### Marking

834, 250V, Approvals

### Unit Weight

3,5g (834) / 1,6g (835) / 2,2g (837)

### WebLinks

Weitere Informationen siehe:

[www.wickmanngroup.com](http://www.wickmanngroup.com)

Weitere Anwendungshinweise siehe  
Fuseologie:

[www.wickmanngroup.com/download/fuseologie.pdf](http://www.wickmanngroup.com/download/fuseologie.pdf)

## Order Information

Qty.	Order Number	Series			Packaging
			0000	00	0

Note: 1.00 means the number one with two decimal places. 1.000 means the number one thousand.

