

A23c DIN 41612 IDC TYPE TRIPLE ROW (A+B+C)

PITCH: 2.54mm

SPECIFICATIONS

Material

Insulator : PBT, glass reinforced, rated UL 94V-0

Contact : Phosphor Bronze

Electrical

Current Rating : 1 Amp DC

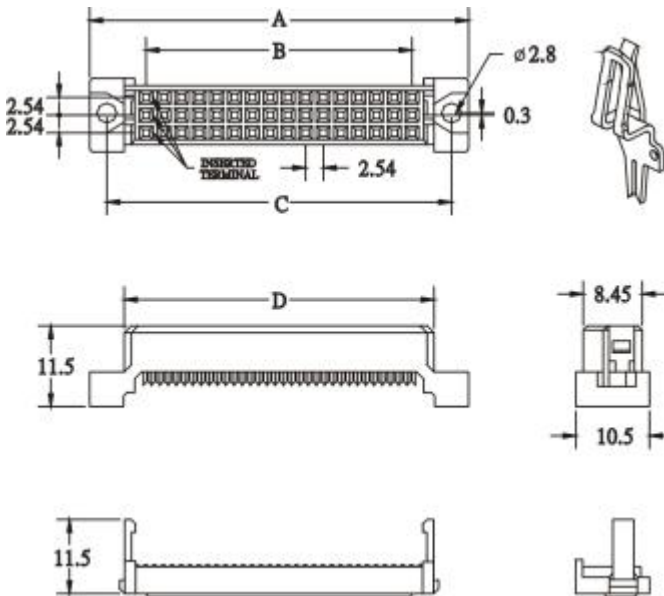
Contact Resistance : 30 mΩ max.

Insulation Resistance : 3000 MΩ min.

Dielectric Withstanding Voltage : 500V AC for 1minute

Operating Temperature : -40°C to +105°C

- Terminated with 0.85mm pitch flat ribbon cable.
- Mating Suggestion : D14, D14a & D14b series.



| POSITION | A | B | C | D |
|-----------|----|-------|----|------|
| 48(A+B+C) | 55 | 38.10 | 50 | 44.4 |
| 96(A+B+C) | 95 | 78.74 | 90 | 85.0 |

HOW TO ORDER:

A23c - 1 - 2 - 3 - 4 - 5

| 1.NO. OF CONTACT | 2.CONTACT TYPE | 3.CONTACT MATERIAL | 4.CONTACT PLATING | 5.INSULATOR COLOR |
|------------------|----------------|--------------------|---|-------------------|
| 48 96 | F: FEMALE | B: PHOSPHOR BRONZE | T: TIN PLATED S: SELECTIVE G: GOLD FLASH A: 5u" INCH GOLD B: 10u" INCH GOLD C: 15u" INCH GOLD D: 30u" INCH GOLD | 2. GREY |