

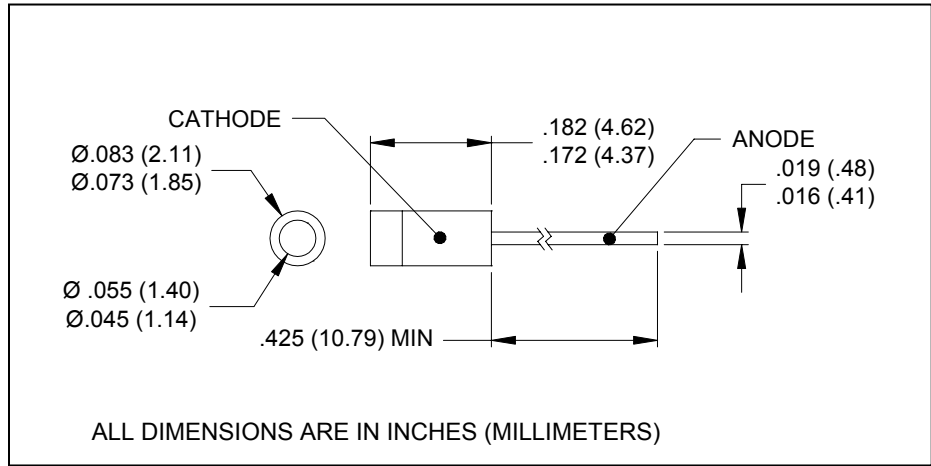
# CLE546W

## High Power GaN Blue LED Flat Window Hermetic Coaxial Package

Preliminary



March, 2006



### features

- Flat lens miniature coaxial package
- $\pm 50^\circ$  emitting angle
- High luminous flux
- cathode connected to case
- RoHS compliant

### description

The CLE546W contains an advanced, high efficiency, high output, GaN blue emitting LED mounted in a miniature hermetic package. It is intended for applications requiring uniform output pattern over a relatively large area and where the application requires close mounting of emitters. Contact Clairex for additional information.

### absolute maximum ratings ( $T_A = 25^\circ\text{C}$ unless otherwise stated)

storage temperature .....	-65°C to +150°C
operating temperature .....	-65°C to +125°C
lead soldering temperature <sup>(1)</sup> .....	260°C
continuous forward current <sup>(2)</sup> .....	55mA
reverse voltage .....	5.0V
peak forward current (1.0ms pulse width, 10% duty cycle) .....	0.25A
continuous power dissipation <sup>(3)</sup> .....	150mW

### notes:

1. 0.06" (1.5mm) from case for 5 seconds maximum.
2. Derate linearly 0.40mA/°C from 25°C free air temperature to  $T_A = +125^\circ\text{C}$ .
3. Derate linearly 1.20mW/°C from 25°C free air temperature to  $T_A = +125^\circ\text{C}$ .

electrical characteristics ( $T_A = 25^\circ\text{C}$ unless otherwise noted)						
symbol	parameter	min	typ	max	units	test conditions
$\Phi_V$	Luminous flux	-	113	-	mlm	$I_F = 20\text{mA}$
$V_F$	Forward voltage	-	3.2	3.6	V	$I_F = 20\text{mA}$
$I_R$	Reverse current	-	-	10	$\mu\text{A}$	$V_R = 5.0\text{V}$
$\theta_{HP}$	Emission angle at half power points	-	100	-	deg.	$I_F = 20\text{mA}$
$\lambda_p$	Peak Wavelength	460	465	470	nm	$I_F = 20\text{mA}$

Clairex reserves the right to make changes at any time to improve design and to provide the best possible product.

Revised 3/20/06

Clairex Technologies, Inc.  
Phone: 972-265-4900

1301 East Plano Parkway  
Fax: 972-265-4949

Plano, Texas 75074-8524  
www.clairex.com