

DS89C386

Twelve Channel CMOS Differential Line Receiver

General Description

The DS89C386 is a high speed twelve channel CMOS differential receiver that meets the requirements of TIA/EIA-422-B. The DS89C386 features low power dissipation of 240 mW typical.

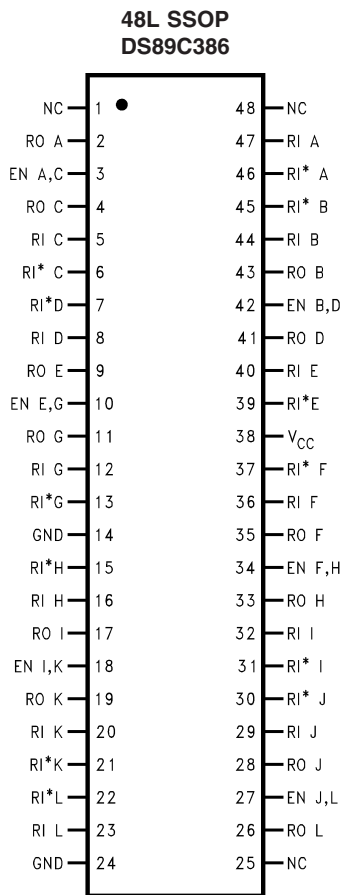
Each TRI-STATE® enable, EN, allows the receiver output to be active or in a Hi-impedance off state. Each enable is common to only two receivers for flexibility and multiplexing of receiver outputs.

The receiver output (RO) is guaranteed to be High when the inputs are left open and unterminated. The receiver can detect signals as low as including ± 200 mV over the common mode range of ± 7 V. The receiver outputs (RO) are compatible with both TTL and CMOS levels.

Features

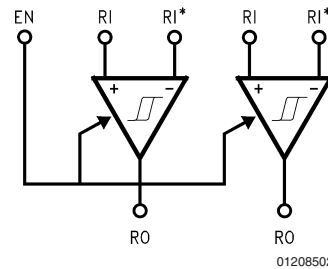
- Low power design—240 mW typical
- Meets TIA/EIA-422-B (RS-422)
- Receiver OPEN input failsafe feature
- Guaranteed AC parameters:
 - Maximum receiver skew -4 ns
 - Maximum transition time -9 ns
- High Output Drive Capability: ± 6 mA
- Available in SSOP packaging:
 - Requires 30% less PCB space than 3 DS34C86TMs

Connection Diagram



01208501
Order Number DS89C386TMEA
See NS Package Number MS48A

Function Diagram



1/6 of package

Truth Table

Enable	Inputs	Output
EN	RI-RI*	RO
L	X	Z
H	≥ 200 mV or OPEN†	H
H	≤ -200 mV	L
H	+200 mV > and > -200 mV	X

†Not terminated.

Absolute Maximum Ratings (Notes 1,

2)

If Military/Aerospace specified devices are required, please contact the National Semiconductor Sales Office/Distributors for availability and specifications.

Supply Voltage (V_{CC})	-0.5 to 7V
Input Common Mode Range (V_{CM})	$\pm 14V$
Differential Input Voltage (V_{DIFF})	$\pm 14V$
Enable Input Voltage (V_{IN})	7V
Storage Temperature Range (T_{STG})	-65°C to +150°C
Lead Temperature (Soldering 4 sec)	260°C

Maximum Power Dissipation at 25°C (Note 4)

SSOP Package 1359 mW

Current Per Output ± 25 mA

This device does not meet 2000V ESD rating. (Note 5)

Operating Conditions

	Min	Max	Unit
Supply Voltage (V_{CC})	4.50	5.50	V
Operating Temperature Range (T_A)			
DS89C386T	-40	+85	°C
Enable Input Rise or Fall Times		500	ns

DC Electrical Characteristics (Note 3) $V_{CC} = 5V \pm 10\%$ (unless otherwise specified)

Symbol	Parameter	Conditions	Min	Typ	Max	Units
V_{TH}	Differential Input Voltage	$V_{OUT} = V_{OH}$ or V_{OL} $-7V < V_{CM} < +7V$	-200	± 35	+200	mV
V_{HYST}	Input Hysteresis	$V_{CM} = 0V$		70		mV
R_{IN}	Input Resistance	$V_{IN} = -7V, +7V$ (Other Input = GND)	5.0	6.8	10	k Ω
I_{IN}	Input Current (Under Test)	$V_{IN} = +10V$, Other Input = GND		+1.1	+1.5	mA
		$V_{IN} = -10V$, Other Input = GND		-2.0	-2.5	mA
V_{OH}	High Level Output Voltage	$V_{CC} = \text{Min.}$, $V_{(DIFF)} = +1V$ $I_{OUT} = -6.0$ mA	3.8	4.2		V
V_{OL}	Low Level Output Voltage	$V_{CC} = \text{Max.}$, $V_{(DIFF)} = -1V$ $I_{OUT} = 6.0$ mA		0.2	0.3	V
V_{IH}	Enable High Input Level Voltage		2.0		V_{CC}	V
V_{IL}	Enable Low Input Level Voltage		GND		0.8	V
I_{OZ}	TRI-STATE Output Leakage Current	$V_{OUT} = V_{CC}$ or GND, EN = V_{IL}		± 0.5	± 5.0	μA
I_I	Enable Input Current	$V_{IN} = V_{CC}$ or GND			± 1.0	μA
I_{CC}	Quiescent Power Supply Current	$V_{CC} = \text{Max.}$, $V_{(DIFF)} = +1V$		48	69	mA

AC Electrical Characteristics (Note 3) $V_{CC} = 5V \pm 10\%$ (Figures 1, 2, 3)

Symbol	Parameter	Conditions	Min	Typ	Max	Units
t_{PLH} , t_{PHL}	Propagation Delay Input to Output	$C_L = 50 \text{ pF}$ $V_{DIFF} = 2.5V$ $V_{CM} = 0V$	10	19	30	ns
t_{SK}	Skew	$C_L = 50 \text{ pF}$ $V_{DIFF} = 2.5V$ $V_{CM} = 0V$	0	2	4	ns
t_{RISE} , t_{FALL}	Output Rise and Fall Times	$C_L = 50 \text{ pF}$ $V_{DIFF} = 2.5V$ $V_{CM} = 0V$		4	9	ns
t_{PLZ} , t_{PHZ}	Propagation Delay ENABLE to Output	$C_L = 50 \text{ pF}$ $R_L = 1000\Omega$ $V_{DIFF} = 2.5V$		13	18	ns
t_{PZL} , t_{PZH}	Propagation Delay ENABLE to Output	$C_L = 50 \text{ pF}$ $R_L = 1000\Omega$ $V_{DIFF} = 2.5V$		13	21	ns

Note 1: Absolute Maximum Ratings are those values beyond which the safety of the device cannot be guaranteed. They are not meant to imply that the device should be operated at these limits. The table of "Electrical Characteristics" provides conditions for actual device operation.

Note 2: Unless otherwise specified, all voltages are referenced to ground.

Note 3: Unless otherwise specified, Min/Max limits apply across the operating temperature range. All typicals are given for $V_{CC} = 5V$ and $T_A = 25^\circ\text{C}$.

Note 4: Ratings apply to ambient temperature at 25°C . Above this temperature derate SSOP (MEA) Package $10.9 \text{ mW}/^\circ\text{C}$.

Note 5: ESD Rating: HEM (1.5 k Ω , 100 pF)

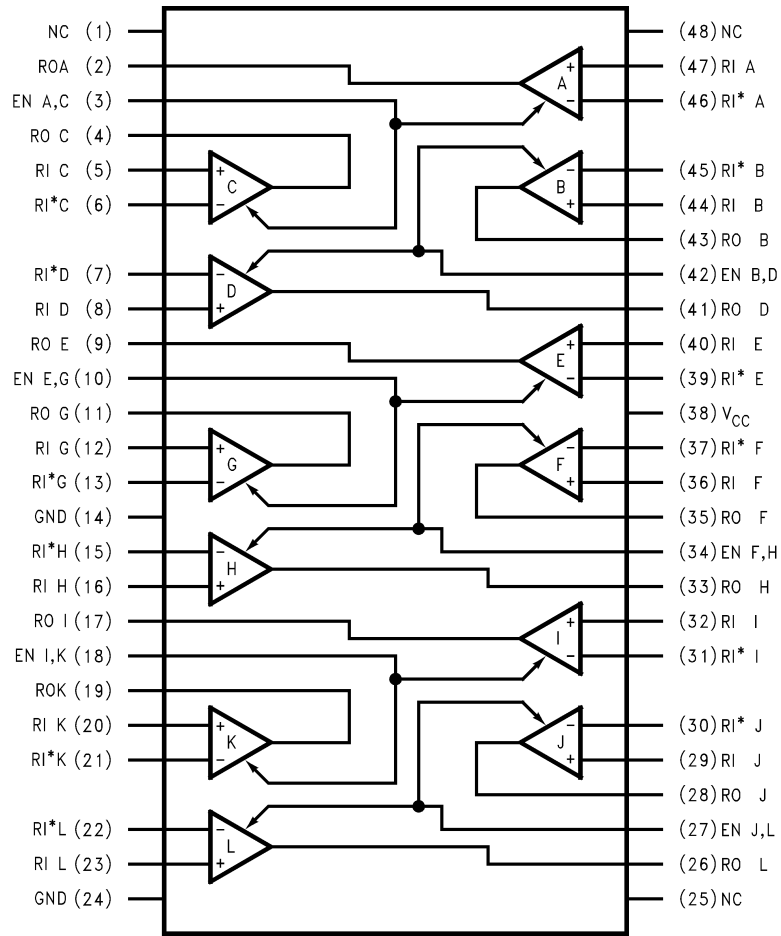
Inputs $\geq 2000V$

Outputs $\geq 1000V$

EIAJ (0 Ω , 200 pF)

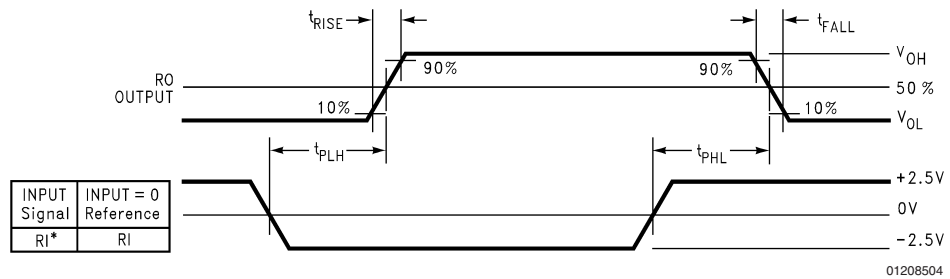
All Pins $\geq 350V$

Logic Diagram



01208503

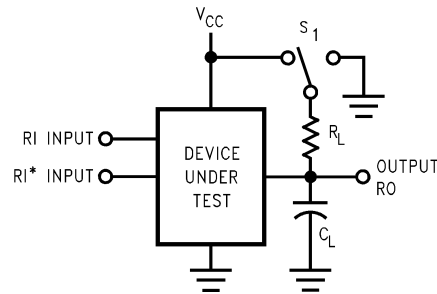
Parameter Measurement Information



01208504

FIGURE 1. Propagation Delays

Parameter Measurement Information (Continued)



01208505

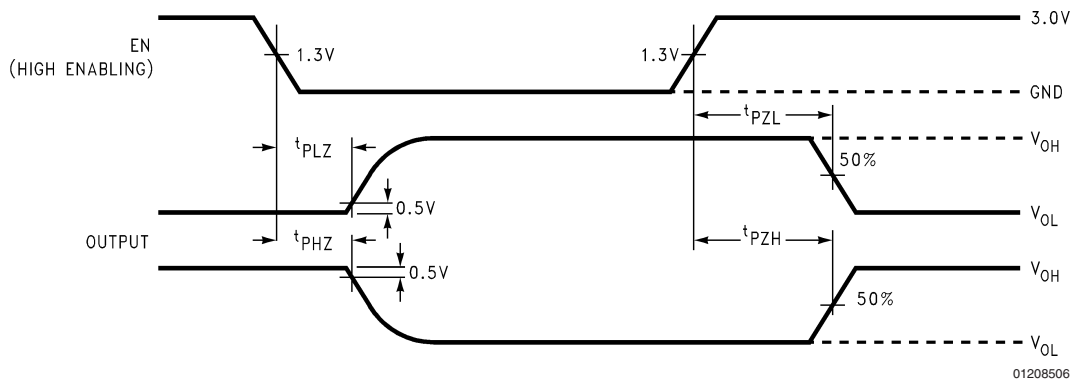
C_L Includes load and test jig capacitance.

$S1 = V_{CC}$ for t_{PZL} , and t_{PLZ} measurements.

$S1 = GND$ for t_{PZH} , and t_{PHZ} measurements.

$S1 = \text{Open}$ for t_{PLH} , t_{PHL} , and t_{SK} .

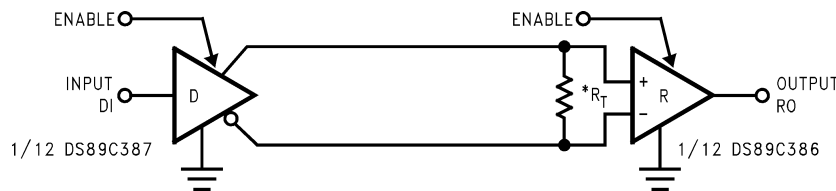
FIGURE 2. Test Circuit for Switching Characteristics



01208506

FIGURE 3. TRI-STATE Output Enable and Disable Waveforms

Application Information



01208507

* R_T is optional although highly recommended to reduce reflections.

FIGURE 4. Two-Wire Balanced System, RS-422

SKEW

Skew may be thought of in a lot of different ways, the next few paragraphs should clarify what is represented by t_{SK} in this datasheet and how it is determined. Skew, as used in this databook, is the absolute value of a mathematical difference between two propagation delays. This is commonly accepted throughout the semiconductor industry. However, there is no standardized method of measuring propagation delay, from which skew is calculated, of differential line receivers. Elucidating, the voltage level, at which propagation

delays are measured, on both input and output waveforms are not always constant. Therefore, skew calculated in this datasheet, may not be calculated the same as skew defined in another. This is important to remember whenever making a skew comparison.

Skew may be calculated for the DS89C386, from many different propagation delay measurements. They may be classified into two categories, single-ended and differential. Single-ended skew is calculated from t_{PHL} and t_{PLH} propa-

Application Information (Continued)

V2 are less likely to be equal to the crossing point voltage. Thus, the differential propagation delays will not be measured from zero volts on the differential waveform.

The differential skew also provides information about the pulse width distortion of the output waveform relative to the differential input waveform. The higher the skew, the greater the distortion of the output waveform. Assuming the differential input has a 50% duty cycle, the output will have a 50% duty cycle if skew equals zero and less than a 50% duty cycle if skew is greater than zero.

Only t_{SK} is specified in this datasheet for the DS89C386. t_{SK} is measured single-endedly but corresponds to differential skew. Because, for single-ended skew, when V_{REF} equals V1 and V2, t_{PHL} equals t_{PHLD} when t_{PHLD} is measured from the crossing point.

More information can be calculated from the propagation delays. The channel to channel and device to device skew may be calculated in addition to the types of skew mentioned previously. These parameters provide timing performance information beneficial when designing. The channel to channel skew is calculated from the variation in propagation delay from receiver to receiver within one package. The device to device skew is calculated from the variation in propagation delay from one DS89C386 to another DS89C386.

For the DS89C386, the maximum channel to channel skew is 20 ns ($t_p \text{ max} - t_p \text{ min}$) where t_p is the low to high or high

to low propagation delay. The minimum channel to channel skew is 0 ns since it is possible for all 12 receivers to have identical propagation delays. Note, this is best and worst case calculations used whenever t_{SK} (channel) is not independently characterized and specified in the datasheet. The device to device skew may be calculated in the same way and the results are identical. Therefore, the device to device skew is 20 ns and 0 ns maximum and minimum respectively.

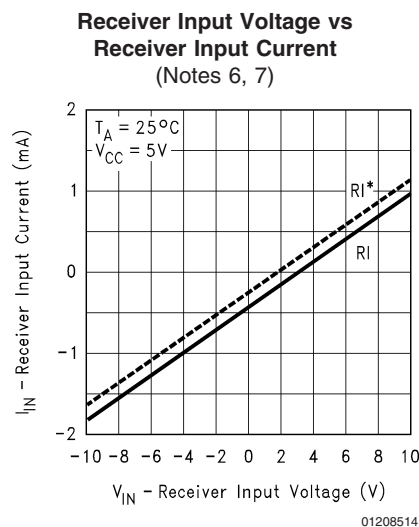
TABLE 1. DS89C386 Skew Table

Parameter	Min	Typ	Max	Units
t_{SK} (diff.)	0	2	4	ns
t_{SK} (channel)	0		20	ns
t_{SK} (device)	0		20	ns

Note t_{SK} (diff.) in Table 1 is the same as t_{SK} in the datasheet. Also, t_{SK} (channel) and t_{SK} (device) are calculations, but are guaranteed by the propagation delay tests. Both t_{SK} (channel) and t_{SK} (device) would normally be tighter whenever specified from characterization data.

The information in this section of the datasheet is to help clarify how skew is defined in this datasheet. This should help when designing the DS89C386 into most applications.

Typical Performance Characteristics



Note 6: The DS89C386 is V.11 compatible. I_{IN} (RI input) is not ≥ 0 when $V_{IN} = 3V$ due to internal failsafe bias resistors (see Figure 6). See ITU V.11 for complete conditions.

Note 7: Failsafe (open inputs) is maintained over entire common mode range and operating range $\pm 10V$.

DS89C386 Equivalent Input/Output Circuits

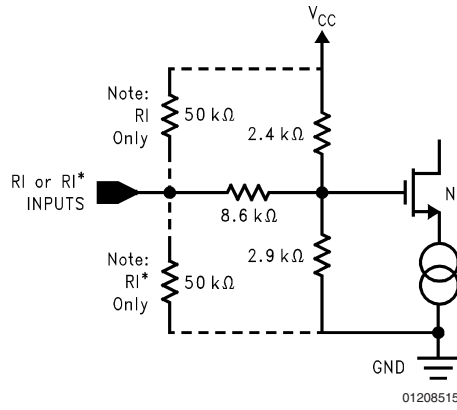


FIGURE 9. Receiver Input Equivalent Circuit

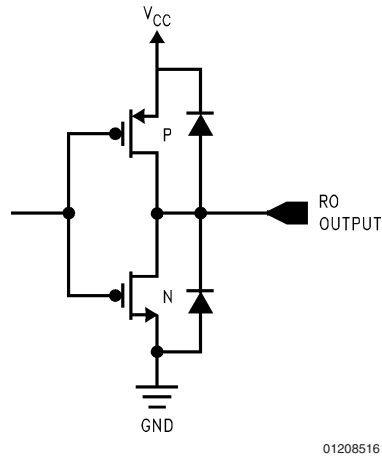


FIGURE 10. Receiver Output Equivalent Circuit

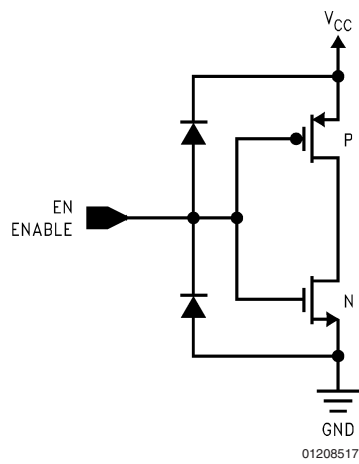


FIGURE 11. Receiver Enable Equivalent Circuit

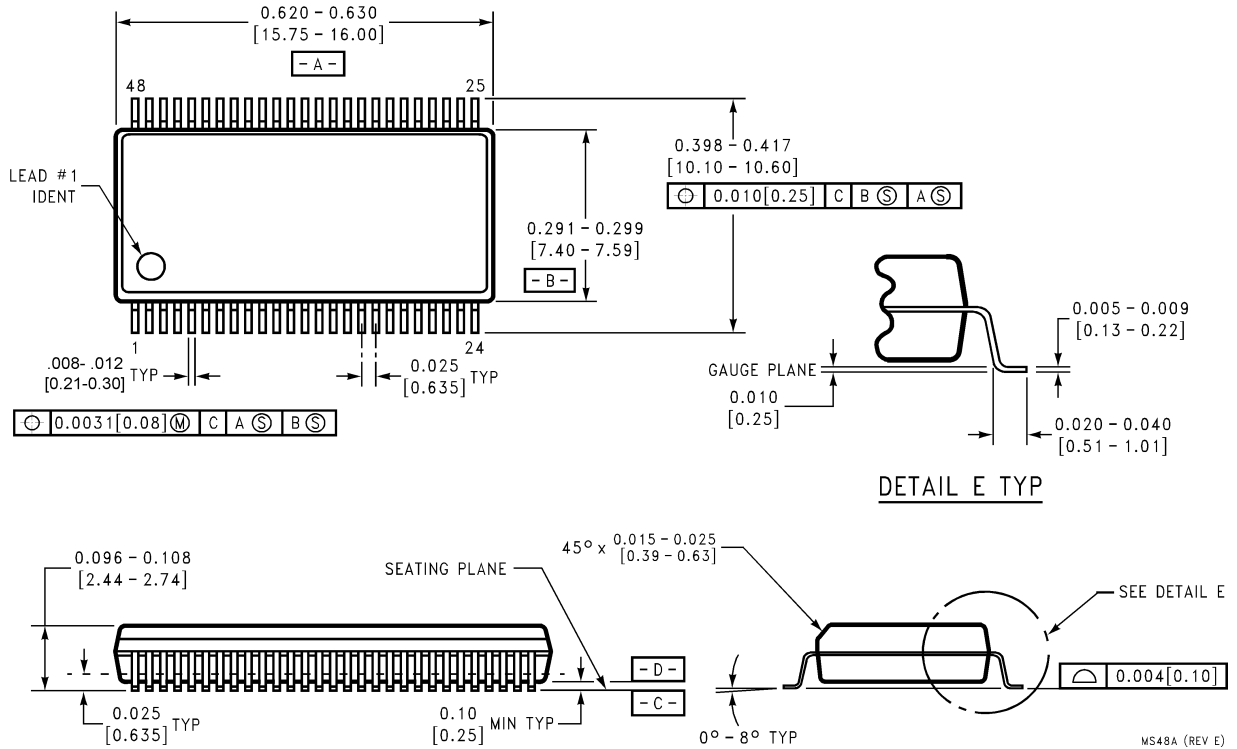
Pin Descriptions

TABLE 2. Device Pin Names and Descriptions

Pin #	Pin Name	Pin Description
2, 4, 9, 11, 17, 19, 26, 28, 33, 35, 41, 43	RO	TTL/CMOS Compatible Receiver Output Pin
5, 8, 12, 16, 20, 23, 29, 32, 36, 40, 44, 47	RI	Non-Inverting Signal Receiver Input Pin
6, 7, 13, 15, 21, 22, 30, 31, 37, 39, 45, 46	RI*	Inverting Signal Receiver Input Pin
3, 10, 18, 27, 34, 42	EN	Active High Dual Receiver Enabling Pin
38	V _{CC}	Positive Power Supply Pin +5 ±10%
14, 24	GND	Device Ground Pin
1, 25, 48	NC	Unused Pin (NOT CONNECTED)

Physical Dimensions inches (millimeters)

unless otherwise noted



48-Lead (0.300" Wide) Molded Shrink Small Outline Package, JEDEC
Order Number DS89C386TMEA
NS Package Number MS48A

MS48A (REV E)

National does not assume any responsibility for use of any circuitry described, no circuit patent licenses are implied and National reserves the right at any time without notice to change said circuitry and specifications.

For the most current product information visit us at www.national.com.

LIFE SUPPORT POLICY

NATIONAL'S PRODUCTS ARE NOT AUTHORIZED FOR USE AS CRITICAL COMPONENTS IN LIFE SUPPORT DEVICES OR SYSTEMS WITHOUT THE EXPRESS WRITTEN APPROVAL OF THE PRESIDENT AND GENERAL COUNSEL OF NATIONAL SEMICONDUCTOR CORPORATION. As used herein:

1. Life support devices or systems are devices or systems which, (a) are intended for surgical implant into the body, or (b) support or sustain life, and whose failure to perform when properly used in accordance with instructions for use provided in the labeling, can be reasonably expected to result in a significant injury to the user.
2. A critical component is any component of a life support device or system whose failure to perform can be reasonably expected to cause the failure of the life support device or system, or to affect its safety or effectiveness.

BANNED SUBSTANCE COMPLIANCE

National Semiconductor certifies that the products and packing materials meet the provisions of the Customer Products Stewardship Specification (CSP-9-111C2) and the Banned Substances and Materials of Interest Specification (CSP-9-111S2) and contain no "Banned Substances" as defined in CSP-9-111S2.



National Semiconductor
Americas Customer
Support Center
 Email: new.feedback@nsc.com
 Tel: 1-800-272-9959

National Semiconductor
Europe Customer Support Center
 Fax: +49 (0) 180-530 85 86
 Email: europe.support@nsc.com
 Deutsch Tel: +49 (0) 69 9508 6208
 English Tel: +44 (0) 870 24 0 2171
 Français Tel: +33 (0) 1 41 91 8790

National Semiconductor
Asia Pacific Customer
Support Center
 Email: ap.support@nsc.com

National Semiconductor
Japan Customer Support Center
 Fax: 81-3-5639-7507
 Email: jpn.feedback@nsc.com
 Tel: 81-3-5639-7560

www.national.com