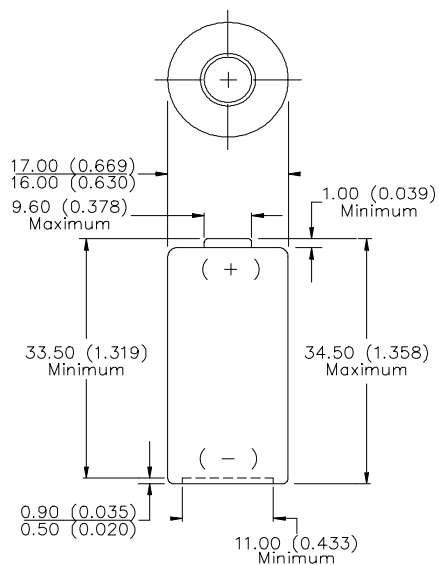


ENERGIZER NO. 123 (EL123)



Industry Standard Dimensions in mm (inches)



THIS BATTERY HAS UNDERWRITERS LABORATORIES COMPONENT RECOGNITION

This battery Contains a Positive Temperature Coefficient (PTC) Device to Limit Current Flow

Simulated Application Test
 Estimated Average Service at 21°C (70°F)

Schedule:	Typical Drains (mA)	Load (ohms)	Cutoff Voltage		
			2.0 V Hours	1.55 V Cycles	1.3 V Cycles
24 hours/day	-	100	56	-	-
24 hours/day	1000	-	1.0	-	-
3 sec ON / 7 sec OFF	1200	-	-	-	1400
3 sec ON / 27 sec OFF	900	-	-	1900	-

Chemical System: Lithium
 Lithium/Manganese Dioxide (Li/MnO₂)

Designation: ANSI / NEDA-5018LC, IEC-CR17345

Battery Voltage: 3.0 Volts

Average Weight: 16.8 grams (0.59 oz.)

Volume: 7.1 cubic centimeters (0.4 cubic inch)

Storage Temp: -40°C to 60°C (-40°F to 140°F)

Operating Temp: -40°C to 60°C (-40°F to 140°F)

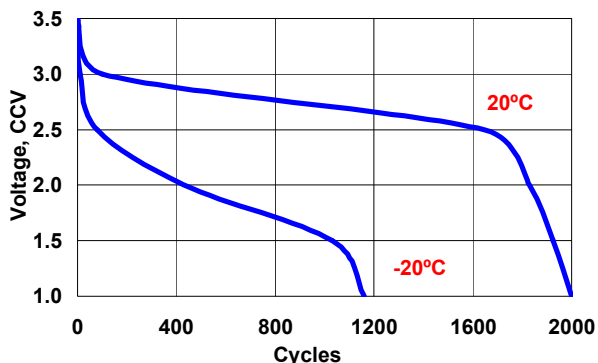
Average Capacity: 1500 mAh to 2.0 volts
 (Rated Capacity at 100 ohms at 21°C)

Maximum Reverse Charge Current: 2 microampere

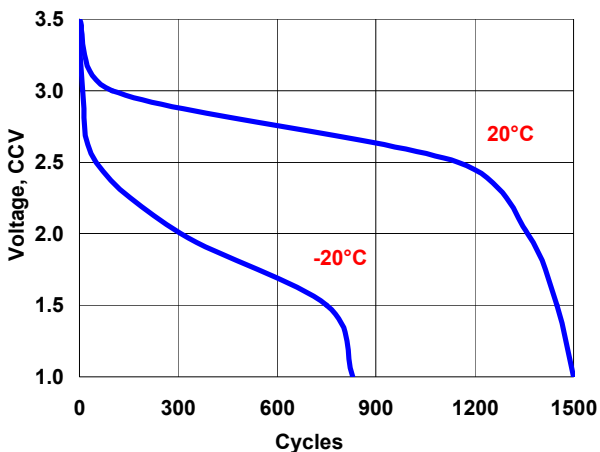
Max Discharge: 1500 mA continuous - 3500 mA pulse

Cells: One 2/3A

Typical Discharge Characteristics
 Schedule: 3 sec ON / 27 sec OFF
 Typical Drain: 900 milliamperes



Typical Discharge Characteristics
 Schedule: 3 sec ON / 7 sec OFF
 Typical Drain: 1200 milliamperes



Important Notice

This data sheet contains information specific to batteries manufactured at the time of its publication.

Contents herein do not constitute a warranty.

Copyright © Eveready Battery Co. Inc. - All Rights Reserved