

VIDEO AMP MODULE EV-BOARD

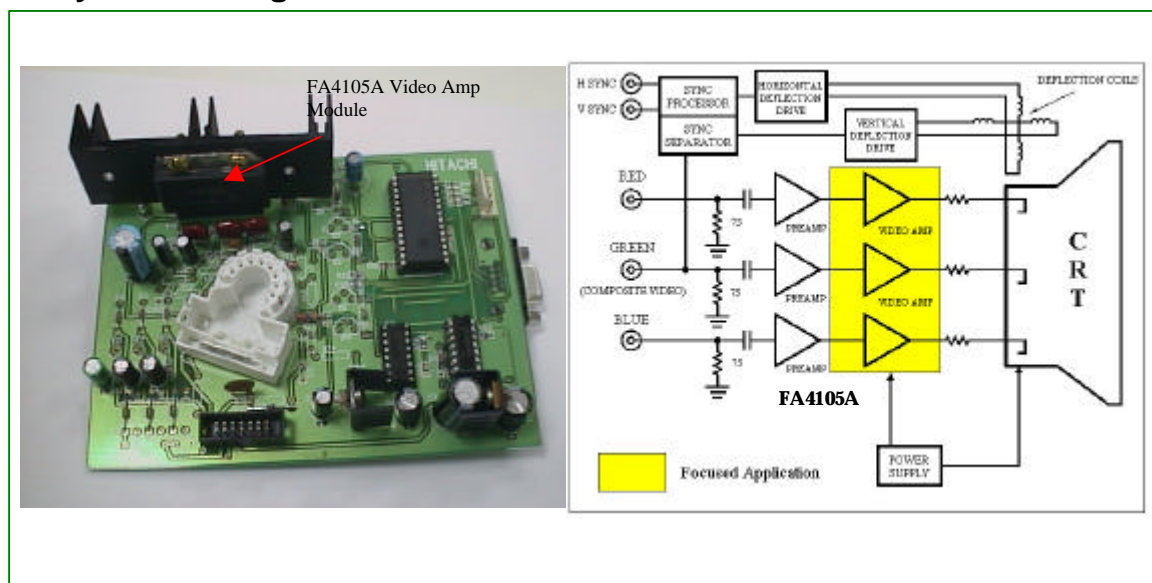
MODEL: VAM-EV1

This project is to promote both the cascode type and active type of Hitachi video amp module line-up. These devices are able to support high-end colour monitors from 17", 19" and above. The evaluation/tuning of FA4105A is done using the 19" colour monitor.

• Key Features

- Designed for very high resolution colour monitor display
- Wide bandwidth video amplifier
- High output voltage
- Very fast transition switching
- Single SIP package houses 3 channels

• System Configuration



• Promotion Devices

Part No	Package	Vcc (V)	BW (MHz) Typ	tr (ns)	tf (ns)	Gv	Icc (mA)
FA4105A	SIL-12	90	150	2.5	1.7	12	25
FA4111	SIL-14	100	120	3.6	3.2	15.3	40
FA4111B	SIL-14	100	140	3.2	2.2	15.3	42
FA4113	SIL-14	100	150	3.0	2.8	14	45