

Model No.: FR0315M00-TD11
 315 MHz SAW Resonator

Rev. No.: 1

A. Feature:

1. One-port SAW Resonator

B. Maximum Ratings:

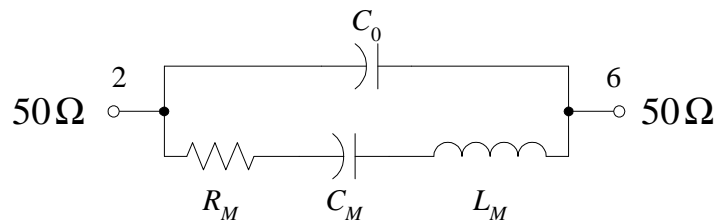
1. Input Power Level: 0dBm
2. DC Voltage: 12V
3. Storage Temperature: -40°C to +85°C
4. Operating Temperature Range: -40°C to +85°C

C. Electrical Specifications:

Ambient Temperature: 25°C

Item	Unit	Min.	Typ.	Max.
Center Frequency, f_r	MHz	314.925	315	315.075
Insertion Loss, IL	dB	-	1.3	1.8
Unloaded quality factor, Q_U		-	14000	-
Loaded quality factor, Q_L		-	2000	-
RF Equivalent RLC Model				
Motional Resistance, R_M	Ω	-	14.4	-
Motional Capacitance, C_M	fF	-	2.5035	-
Motional Inductance, L_M	μH	-	101.96	-
Shunt Static Capacitance, C_0	pF	-	3.5	-
Turnover Temperature, T_0	°C	10	25	40
Frequency Temperature Coefficient, FTC	ppm/k ²	-	0.032	-

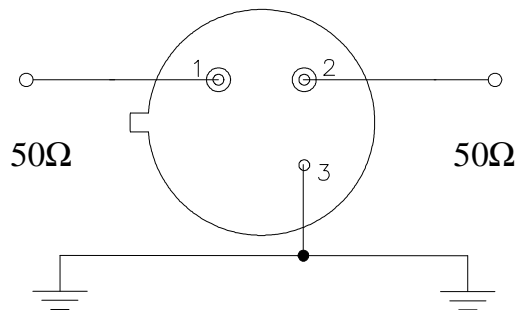
D. RF Equivalent Model:



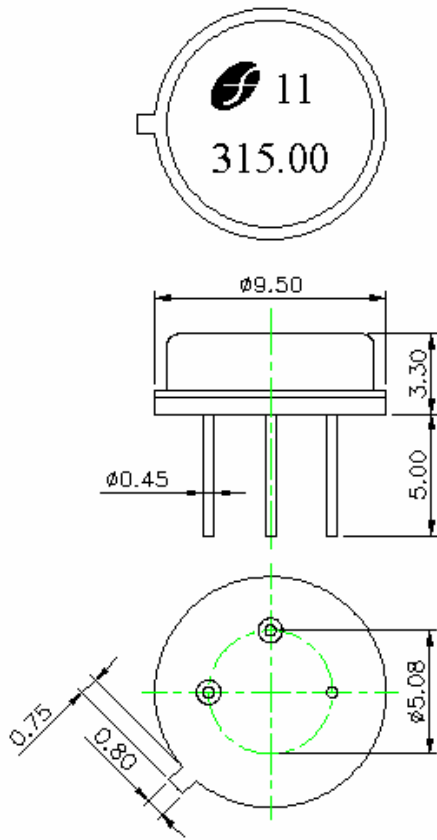
E. Characteristics:



F. Test Circuit:



G. Package and pin configuration:



(Unit: mm)
Pin 1: Input
Pin 2: Output
Pin 3: Ground