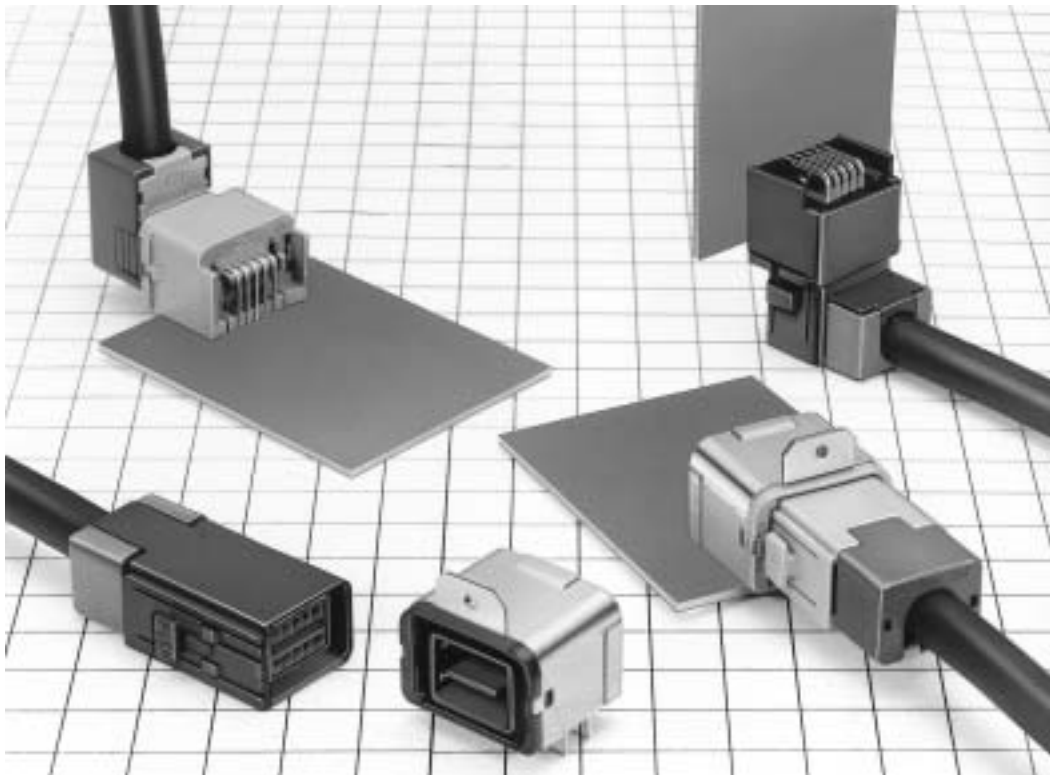


GT17 Series

— Ideal as Automotive USB Connectors —
<2 mm pitch>



■ Features

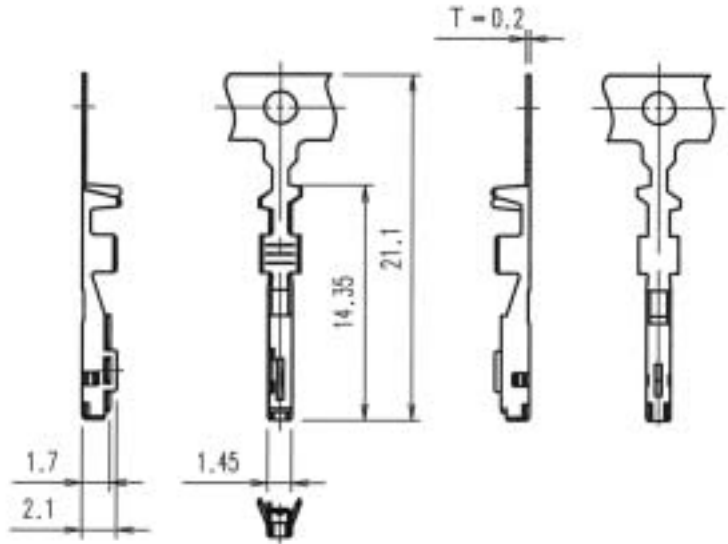
- All surface shielded construction.
- Ideal for use as Automotive USB connectors.

■ Applications

In-car data communications, etc.

F Connectors

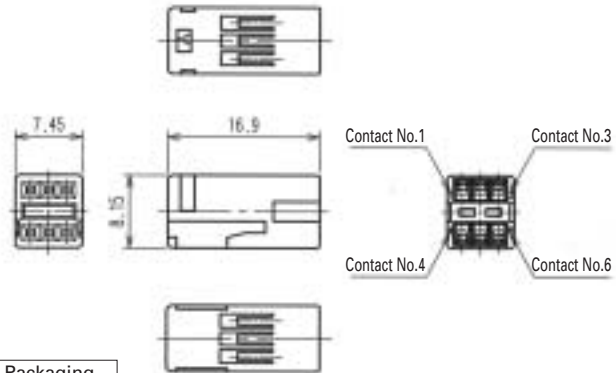
Center Terminals (Used with 6, 8, and 10 conductor cable)



Part Number	CL No.	Material	Finish	Conductor Size (AWG)	Outer Diameter	Packaging
GT17-2022SCF	767-0009-0	Copper alloy	Tin plating	#20 to 22	1.1 to 1.3 mm	10,000 pcs. per reel
GT17-2428SCF	767-0010-0	Copper alloy	Tin plating	#24 to 28	0.7 to 1.0 mm	10,000 pcs. per reel
GT17-30SCF	767-0064-9	Copper alloy	Tin plating	#30	1.1 to 1.3 mm	10,000 pcs. per reel

F Connectors (6-Conductor Type)

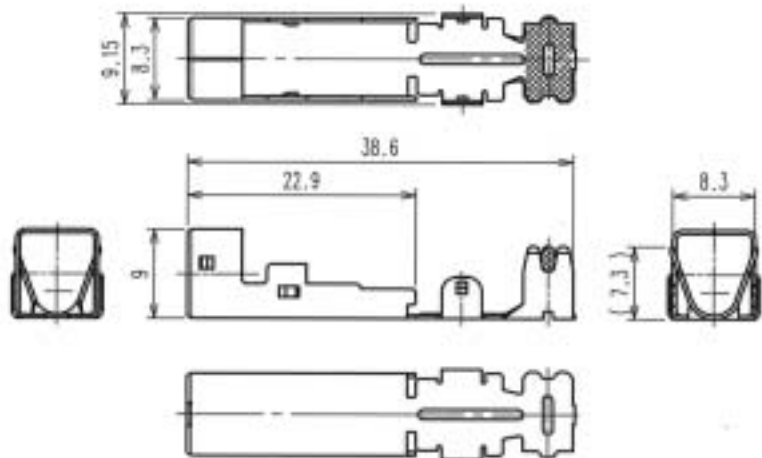
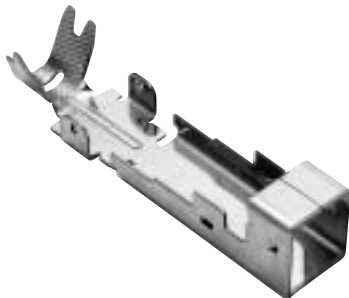
Insulator



Part Number	CL No.	Material	Color	Packaging
GT17V-6DS-2C	767-0026-0	PBT	Dark gray	1

Note: Applicable Cable will have an Insulator diameter of 0.7 to 1.3 mm.

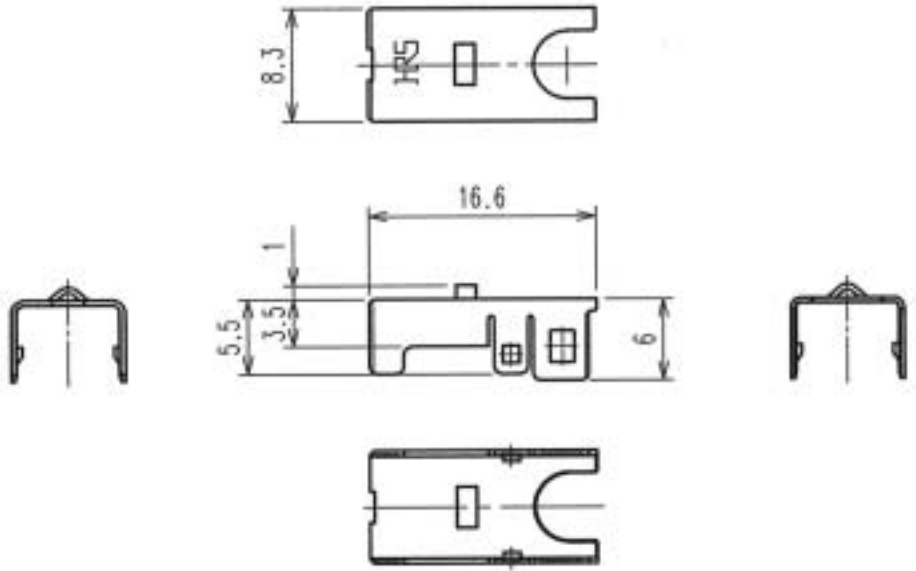
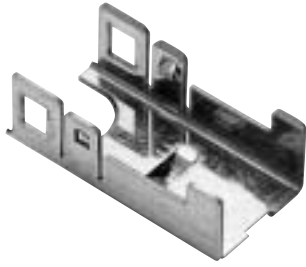
Outer terminals



Part Number	CL No.	Material	Finish	Outer Diameter	Packaging
GT17V-6DS-5CF	767-0027-2	Copper alloy	Tin plating	4.8 to 5.2 mm	1

100 Note: The crimping conditions will differ depending on the construction and material of the cable. In view of this, please make arrangements to ascertain whether crimping is possible for each cable.

● Shield Cover



Part Number	CL No.	Material	Finish	Packaging
GT17V-6DS-SC	767-0028-5	Copper alloy	Tin plating	1

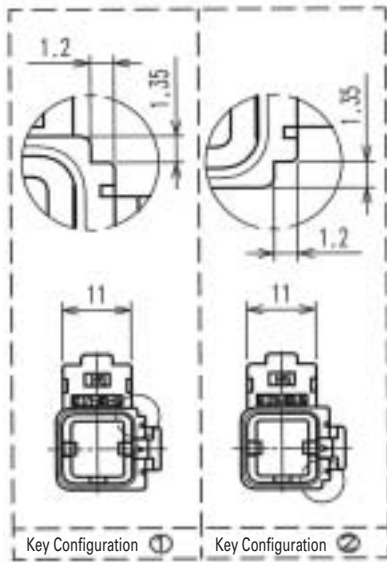
● Housing



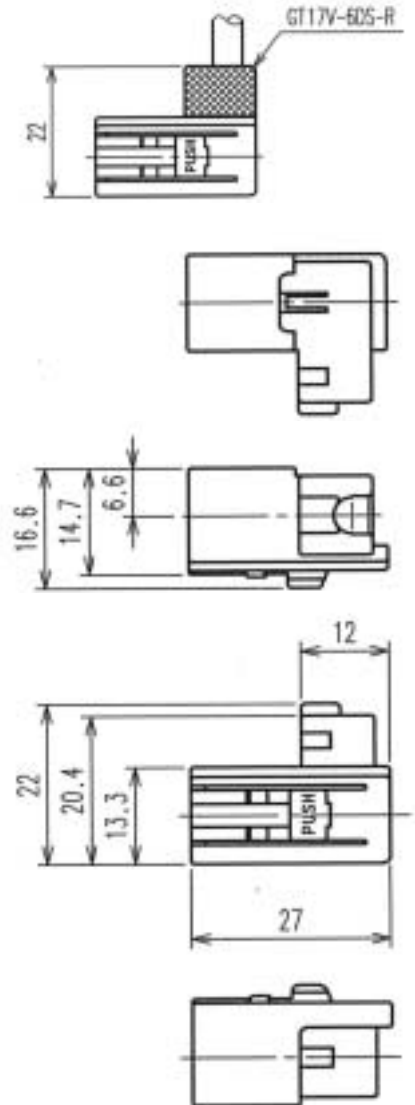
GT17V-6DS-HU



GT17VA-6DS-HU



◆ Shown with inserted retainer

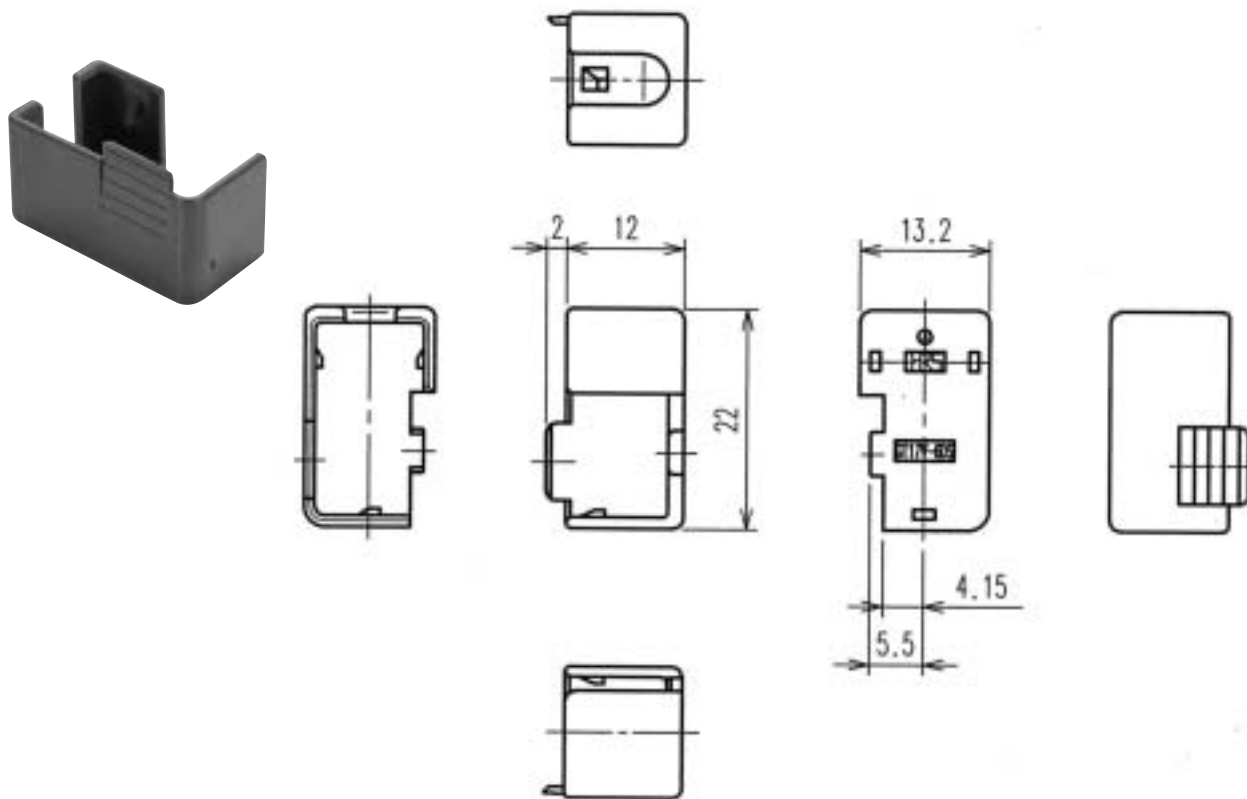


Part Number	CL No.	Material	Color	Key Configurations	Packaging
GT17V-6DS-HU	767-0029-8	PBT	Light gray	①	1
GT17VA-6DS-HU	767-0030-7	PBT	Black	②	1

Note 1: Used with the separate retainer (GT17V-6DS-R).

Note 2: Applicable Cable will have an outside sheath diameter of 4.8 to 5.2 mm.

● Retainer (Used with GT17V-6DS-HU and GT17VA-6DS-HU)



Part Number	CL No.	Material	Color	Packaging
GT17V-6DS-R	767-0031-0	PBT	Dark gray	1

Note: Applicable Cable will have an Insulator diameter of 4.8 to 5.2 mm.

◆ F Connector (6-Conductor Type) Composition Table

Inner Terminal	Insulator	Outer Terminal	Shield Cover	Housing	Retainer
GT17-2022SCF	GT17V-6DS-2C	GT17V-6DS-5CF	GT17V-6DS-SC	GT17V-6DS-HU	GT17V-6DS-R
GT17-2428SCF				GT17VA-6DS-HU	
GT17-30SCF					

◆ 6-Conductor Type Mating Table

F Connector	M Connector	Color
GT17V-6DS-HU	GT17V-6DP-DS	Light gray
	GT17VB-6DP-DS	
GT17VA-6DS-HU	GT17VA-6DP-DS	Black
	GT17VC-6DP-DS	

M Connectors (6-Conductor Type)

● Printed Circuit Board Type

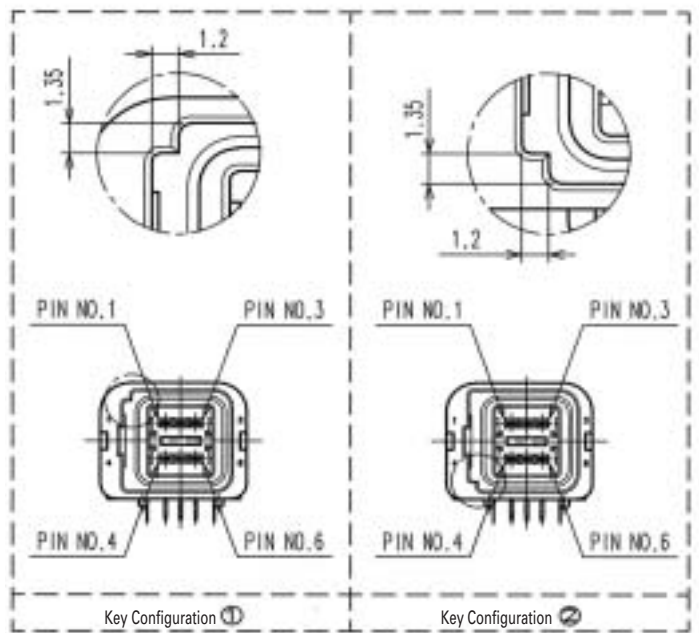
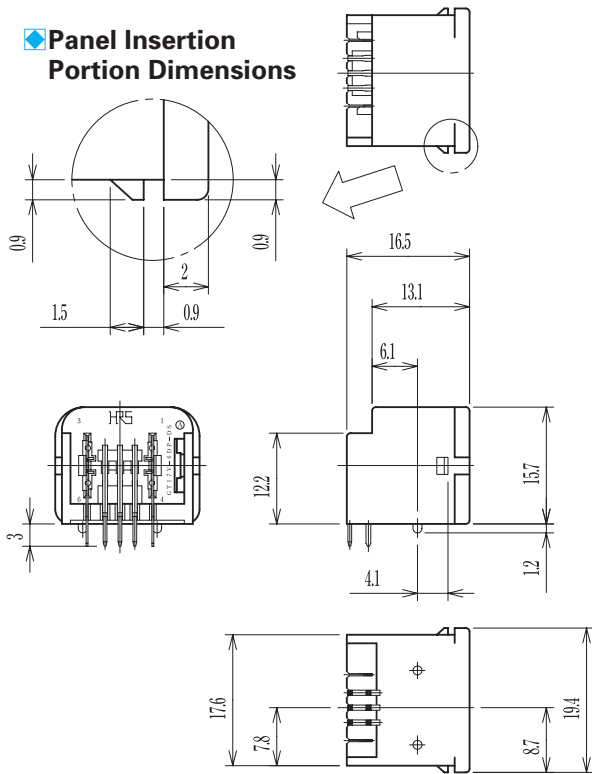


GT17V-6DP-DS

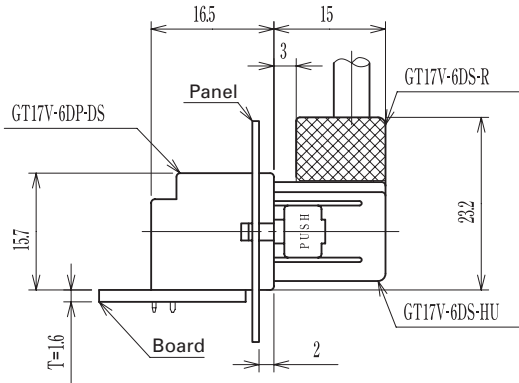


GT17VA-6DP-DS

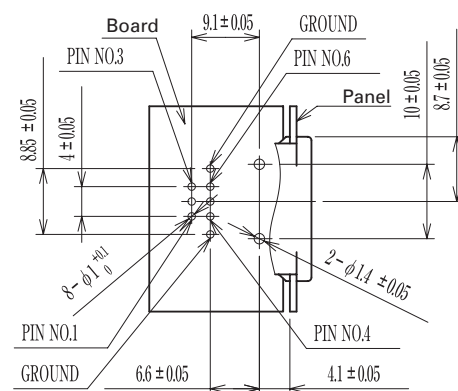
◆ Panel Insertion Portion Dimensions



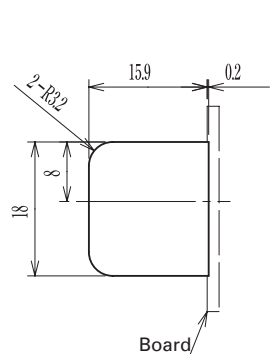
◆ Mounted and fully mated connector assemblies



◆ Recommended PCB Mounting Pattern



◆ Recommended Panel Cut-out



Part Number	CL No.	Material	Color	Key Configurations	Direction of Cable Pull-off	Packaging
GT17V-6DP-DS	767-0024-4	Brass (Center terminal) Copper alloy (Outer terminals)	Light gray	①	Upward with respect to the mounting surface	1
GT17VA-6DP-DS	767-0025-7	PBT (Housing)	Black	②		1

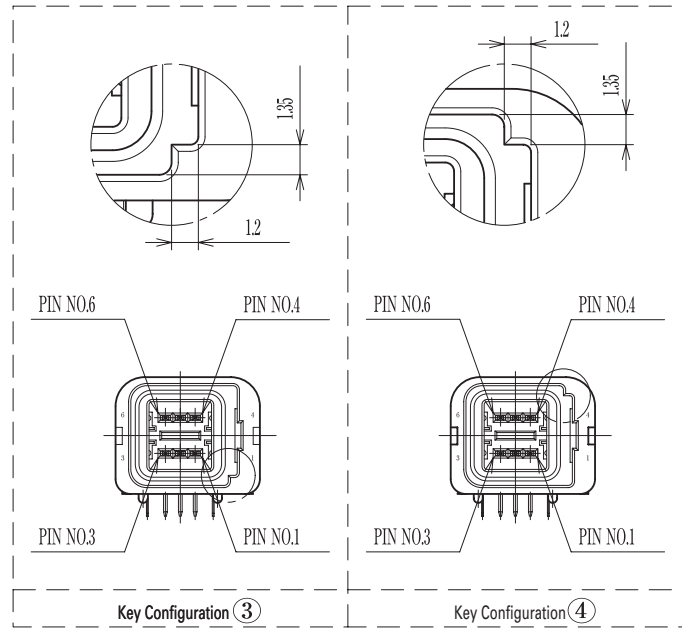
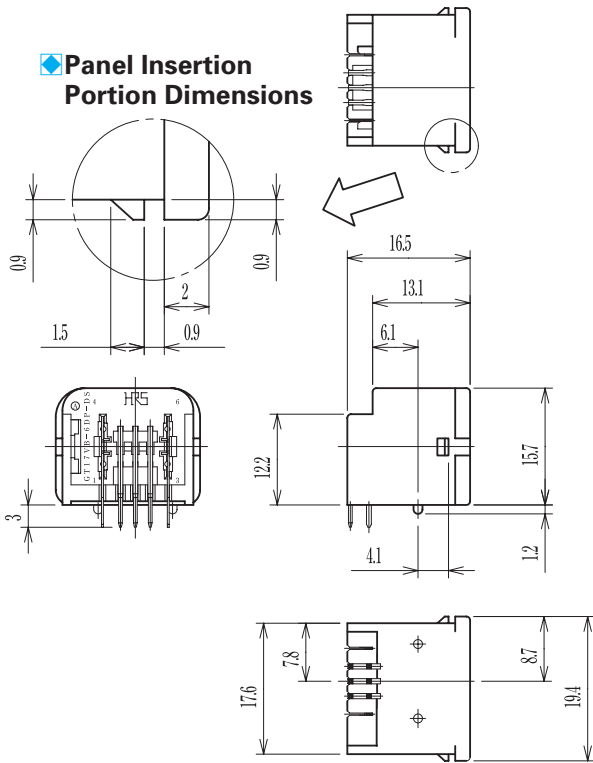


GT17VB-6DP-DS

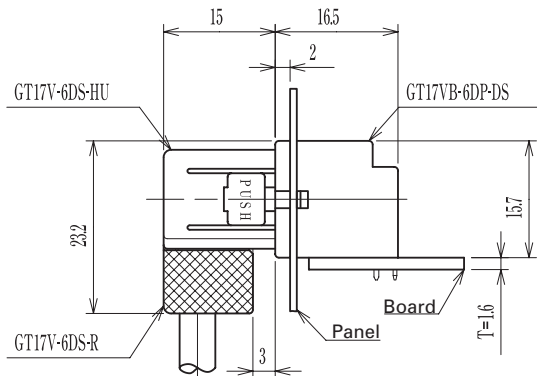


GT17VC-6DP-DS

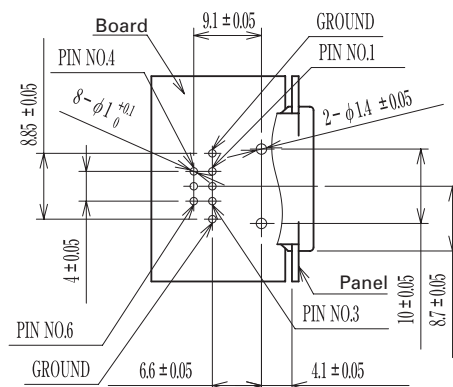
◆ Panel Insertion Portion Dimensions



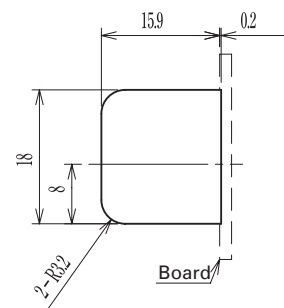
◆ Mounted and fully mated connector assemblies



◆ Recommended PCB Mounting Pattern



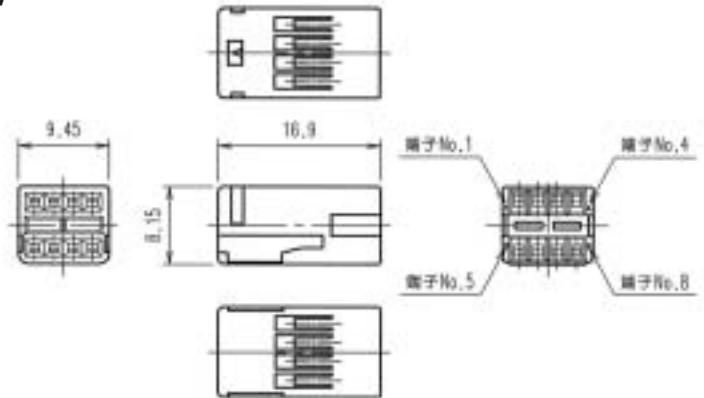
◆ Recommended Panel Cut-out



Part Number	CL No.	Material	Color	Key Configurations	Direction of Cable Pull-off	Packaging
GT17VB-6DP-DS	767-0032-2	Brass (Center terminal)	Light gray	③	Downward with respect to the mounting surface	1
GT17VC-6DP-DS	767-0033-5	Copper alloy (Outer terminals) PBT (Housing)	Black	④		1

F Connectors (8-Conductor Type)

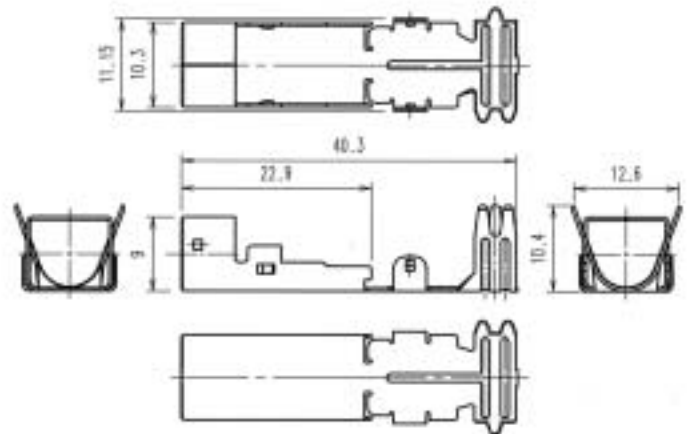
● Insulator



Part Number	CL No.	Material	Color	Packaging
GT17-8DS-2C	767-0005-0	PBT	Dark gray	1

Note: Applicable Cable will have an Insulator diameter of 0.7 to 1.3 mm.

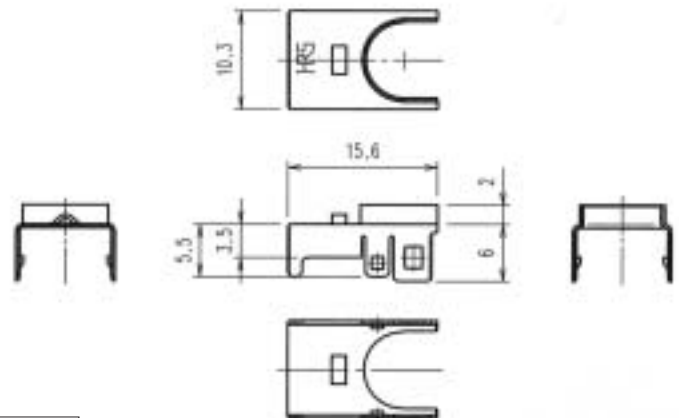
● Outer terminals



Part Number	CL No.	Material	Finish	Outer Diameter	Packaging
GT17-8DS-7CF	767-0007-5	Phosphor bronze	Tin plating	6.8 to 7.2 mm	1

Note: The crimping conditions will differ depending on the construction and material of the cable. In view of this, please make arrangements to ascertain whether crimping is possible for each cable.

● Shield Cover



Part Number	CL No.	Material	Finish	Packaging
GT17-8DS-SC	767-0006-2	Brass	Tin plating	1

● Housing

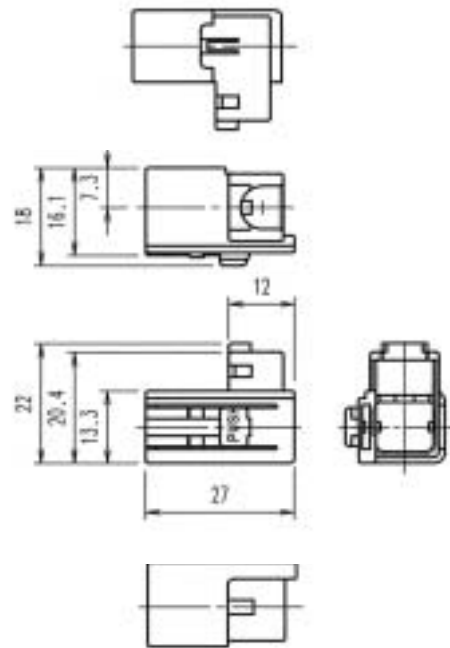
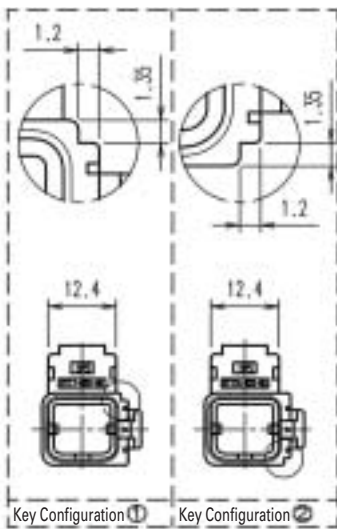
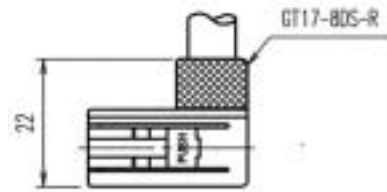


GT17-8DS-HU



GT17A-8DS-HU

◆ Shown with inserted retainer

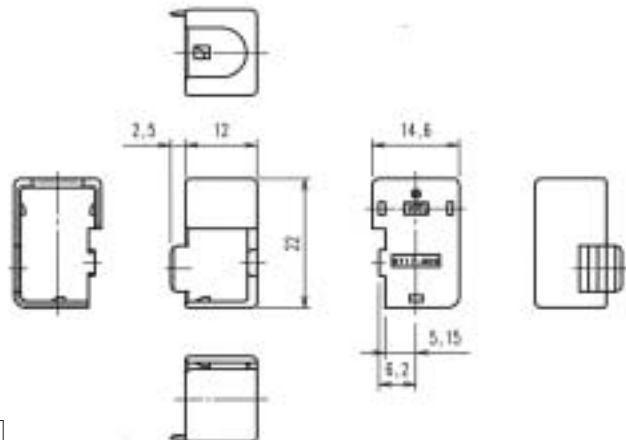


Part Number	CL No.	Material	Color	Key Configurations	Packaging
GT17-8DS-HU	767-0003-4	PBT	Light gray	①	1
GT17A-8DS-HU	767-0004-7	PBT	Black	②	1

Note 1: Used with the separate retainer (GT17-8DS-R).

Note 2: Applicable Cable will have an outside sheath diameter of 6.8 to 7.2 mm.

● Retainer



Part Number	CL No.	Material	Color	Packaging
GT17-8DS-R	767-0008-8	PBT	Dark gray	1

Note: Applicable Cables will have an outside sheath diameter of 6.8 to 7.2 mm.

◆ F Connector (8-Conductor Type) Composition Table

Inner Terminal	Insulator	Outer Terminal	Shield Cover	Housing	Retainer
GT17-2022SCF	GT17-8DS-2C	GT17-8DS-7CF	GT17-8DS-SC	GT17-8DS-HU	GT17-8DS-R
GT17-2428SCF				GT17A-8DS-HU	
GT17-30SCF					

◆ 8-Conductor Type Mating Table

F Connector	M Connector	Color
GT17-8DS-HU	GT17-8DP-DS	Light gray
	GT17B-8DP-DS	
GT17A-8DS-HU	GT17A-8DP-DS	Black
	GT17C-8DP-DS	

M Connectors (8-Conductor Type)

● Printed Circuit Board Type

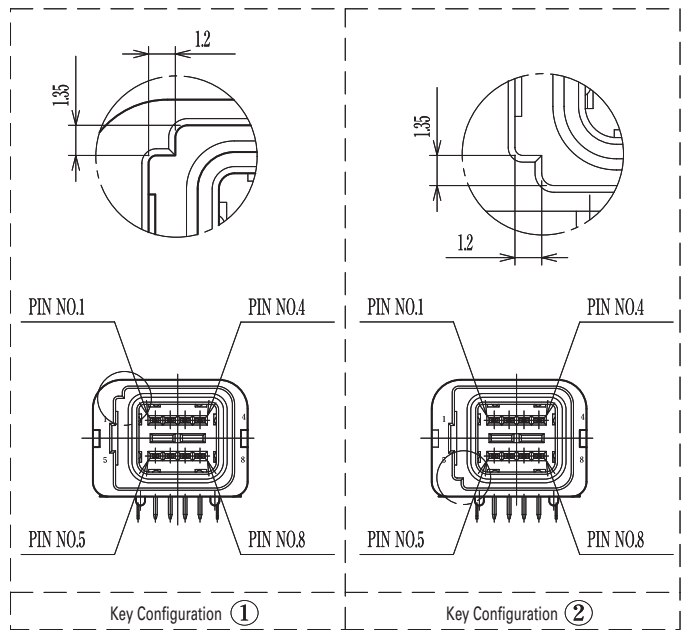
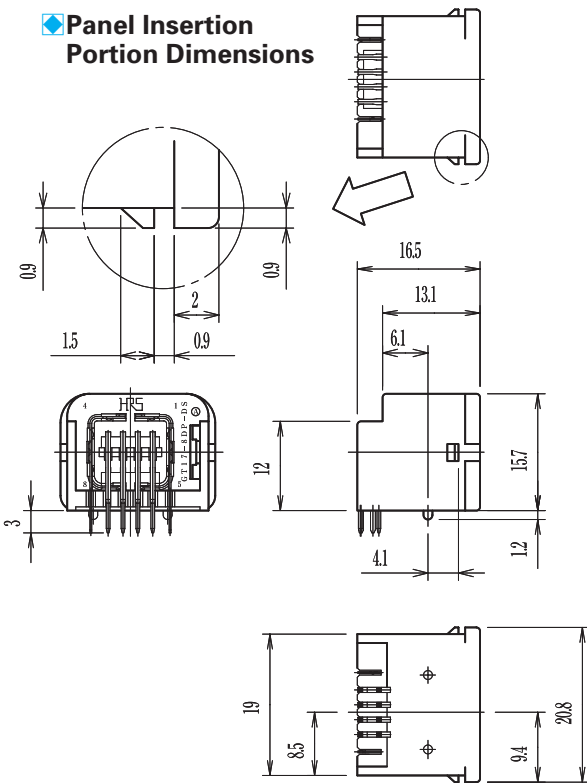


GT17-8DP-DS

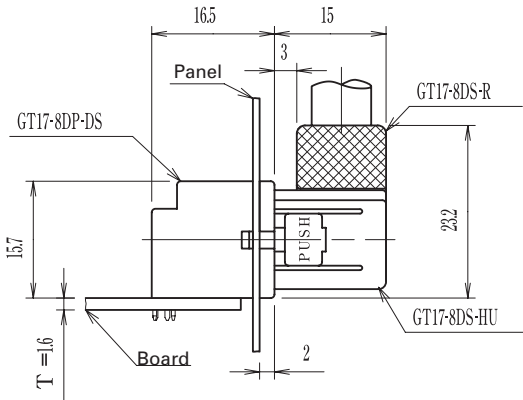


GT17A-8DP-DS

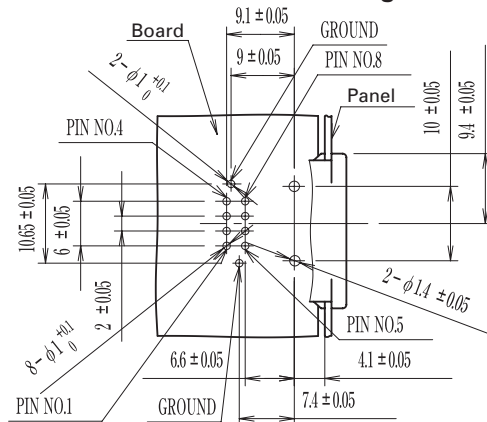
◆ Panel Insertion Portion Dimensions



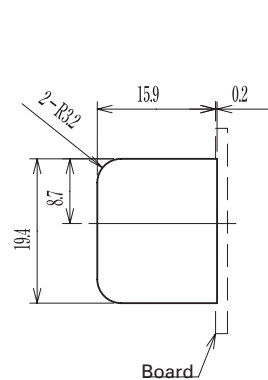
◆ Mounted and fully mated connector assemblies



◆ Recommended PCB Mounting Pattern



◆ Recommended Panel Cut-out



Part Number	CL No.	Material	Color	Key Configurations	Direction of Cable Pull-off	Packaging
GT17-8DP-DS	767-0001-9	Brass (Center terminal)	Light gray	①	Upward with respect to the mounting surface	1
GT17A-8DP-DS	767-0002-1	Phosphor bronze (Outer terminals) PBT (Housing)	Black	②		1

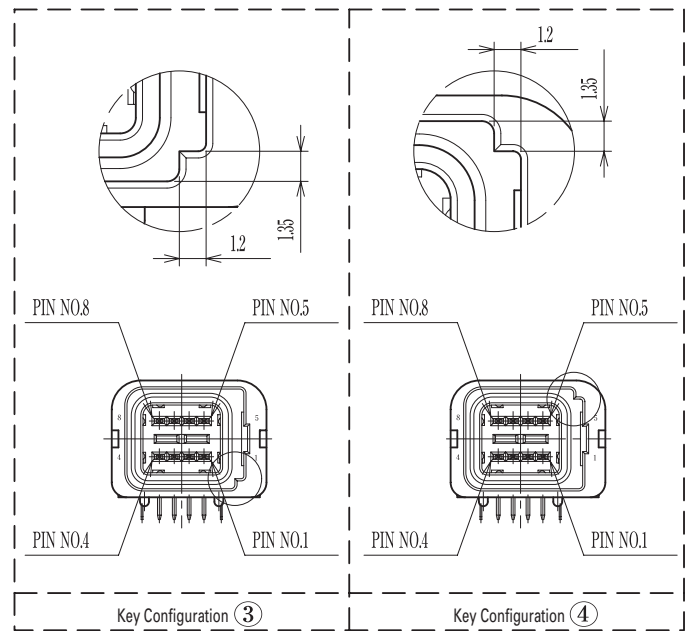
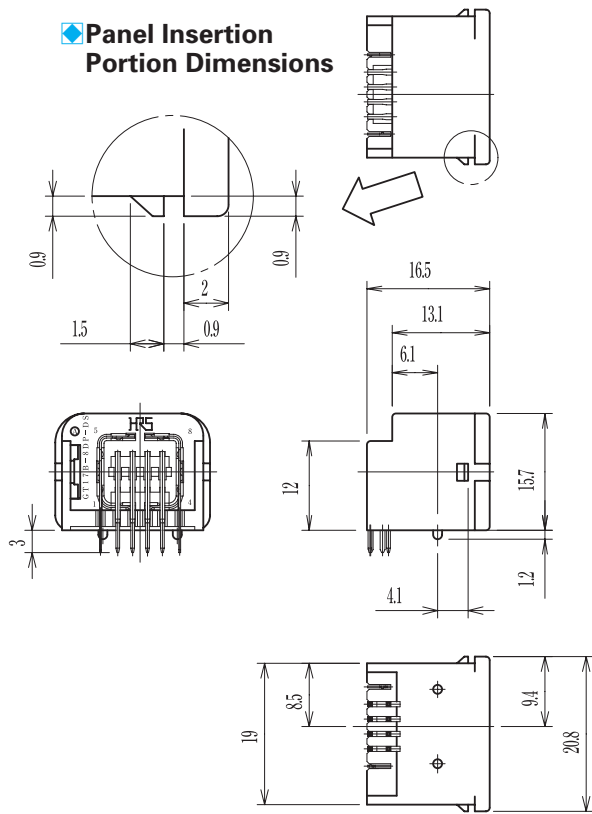


GT17B-8DP-DS

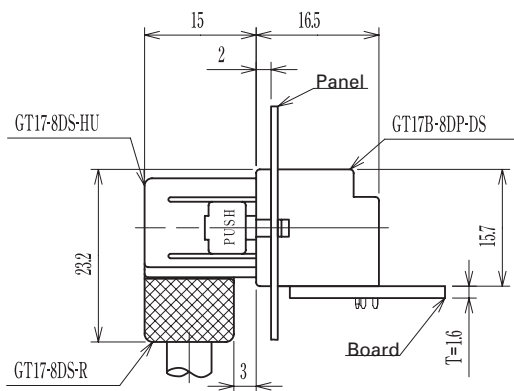


GT17C-8DP-DS

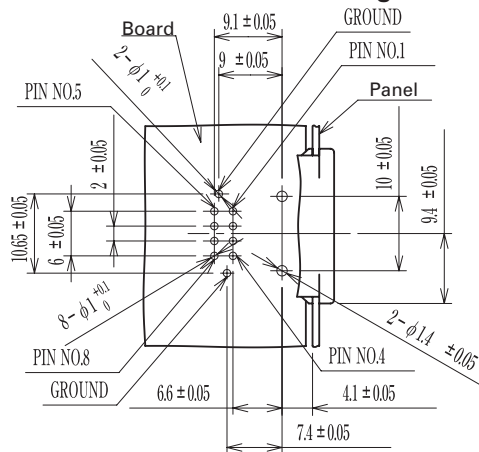
◆ Panel Insertion Portion Dimensions



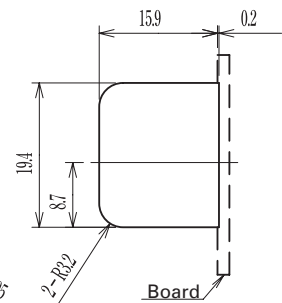
◆ Mounted and fully mated connector assemblies



◆ Recommended PCB Mounting Pattern



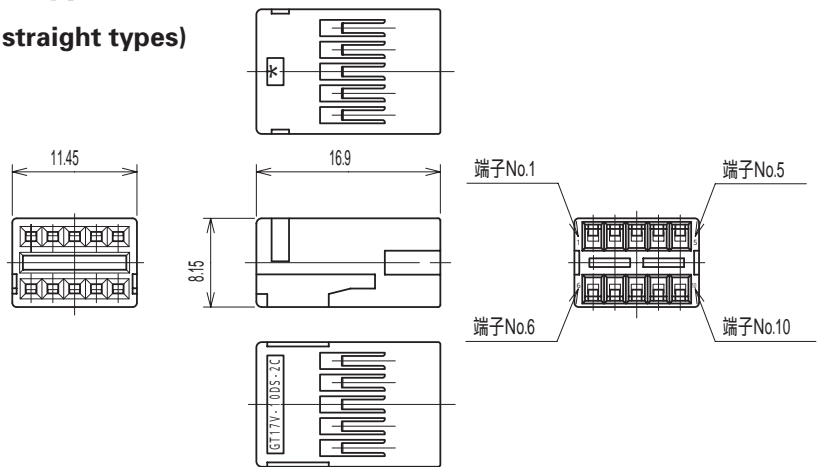
◆ Recommended Panel Cut-out



Part Number	CL No.	Material	Color	Key Configurations	Direction of Cable Pull-off	Packaging
GT17B-8DP-DS	767-0020-3	Brass (Center terminal) Phosphor bronze (Outer terminals)	Light gray	③	Downward with respect to the mounting surface	1
GT17C-8DP-DS	767-0021-6	PBT (Housing)	Black	④		1

F Connectors (10-Conductor Type)

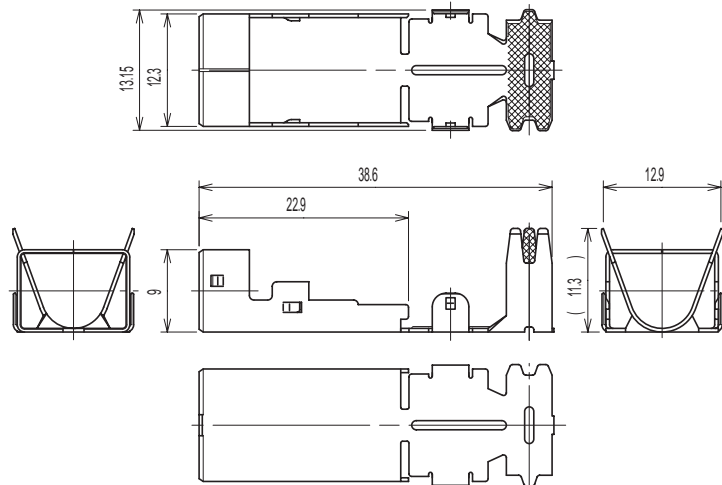
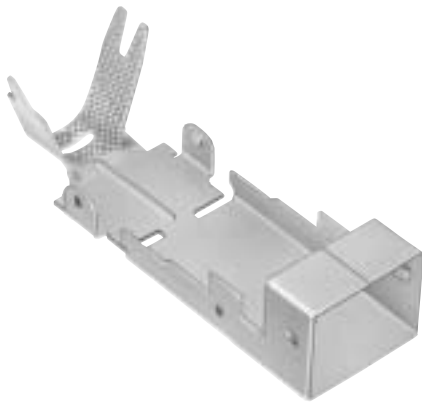
● Insulator (used for both right-angle and straight types)



Part Number	CL No.	Material	Color	Packaging
GT17V-10DS-2C	767-0036-3	PBT	Dark gray	1

Note: Applicable Cable will have an Insulator diameter of 0.7 to 1.3 mm.

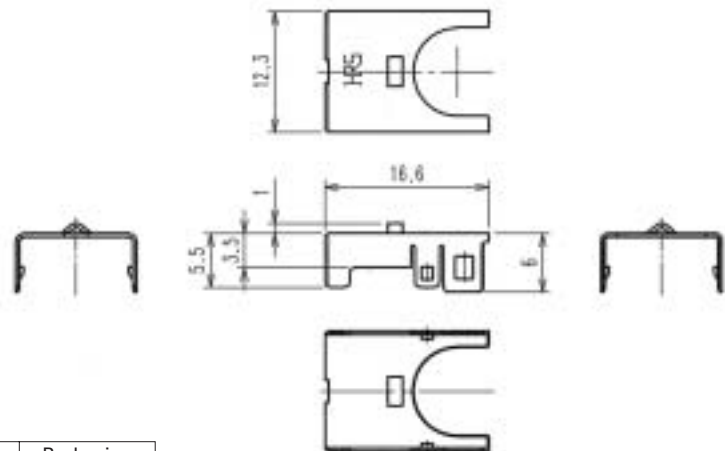
● Outer terminals (Right Angle)



Part Number	CL No.	Material	Finish	Outer Diameter	Packaging
GT17V-10DS-8CF	767-0037-6	Copper alloy	Tin plating	7.5 to 8.0 mm	1

Note: The crimping conditions will differ depending on the construction and material of the cable. In view of this, please make arrangements to ascertain whether crimping is possible for each cable.

● Shield Cover (Right Angle)



Part Number	CL No.	Material	Finish	Packaging
GT17V-10DS-SC	767-0038-9	Copper alloy	Tin plating	1

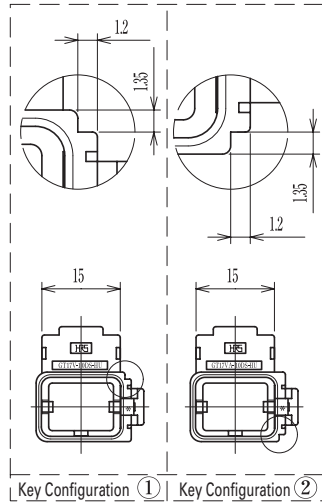
● Housing (Right-angle Type)



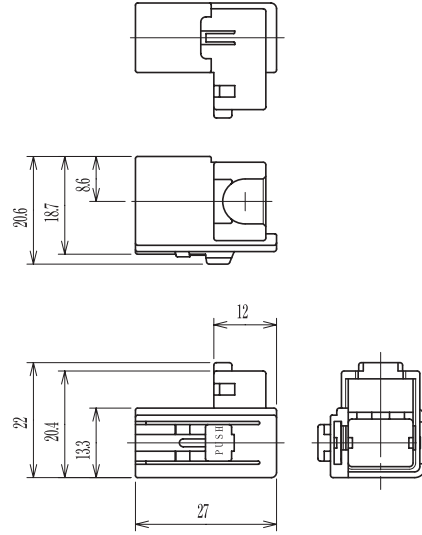
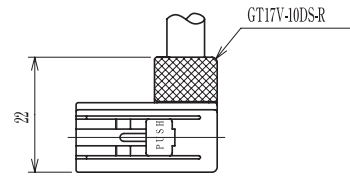
GT17V-10DS-HU



GT17VA-10DS-HU



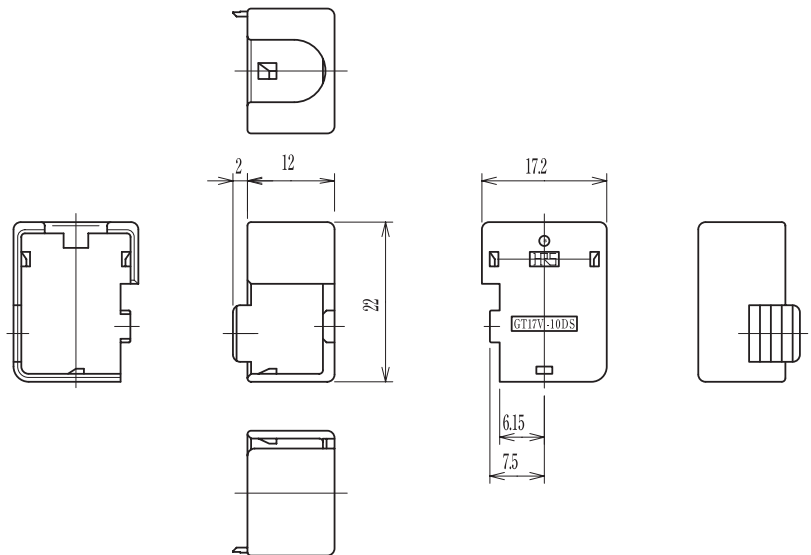
◆ Shown with inserted retainer



Part Number	CL No.	Material	Color	Key Configurations	Packaging
GT17V-10DS-HU	767-0039-1	PBT	Light gray	①	1
GT17VA-10DS-HU	767-0040-0	PBT	Black	②	1

Note: Used with the separate retainer (GT17-10DS-R).

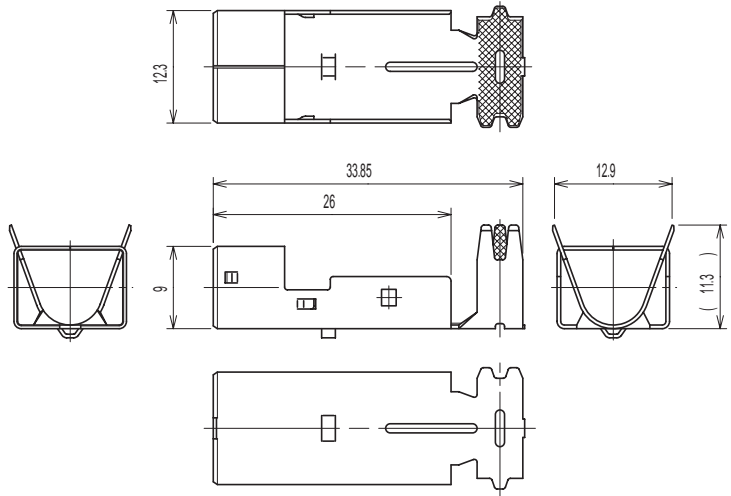
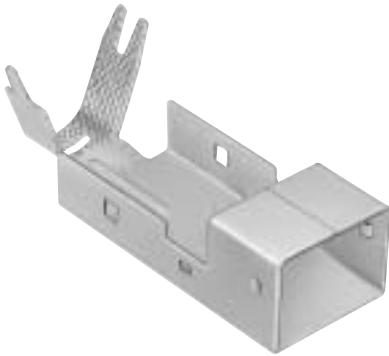
● Retainer (Right-angle Type)



Part Number	CL No.	Material	Color	Packaging
GT17V-10DS-R	767-0041-3	PBT	Dark gray	1

Note: Applicable Cable will have an outside sheath diameter of 7.5 to 8.0 mm.

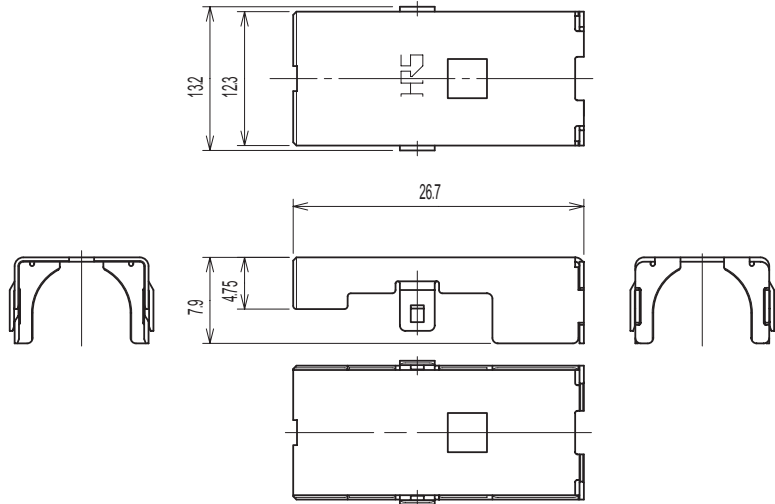
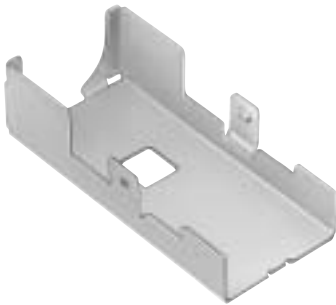
● Outer terminals (Straight Type)



Part Number	CL No.	Material	Finish	Outer Diameter	Packaging
GT17VS-10DS-8CF	767-0059-9	Copper alloy	Tin plating	7.5 to 8.0 mm	1

Note: The crimping conditions will differ depending on the construction and material of the cable. In view of this, please make arrangements to ascertain whether crimping is possible for each cable.

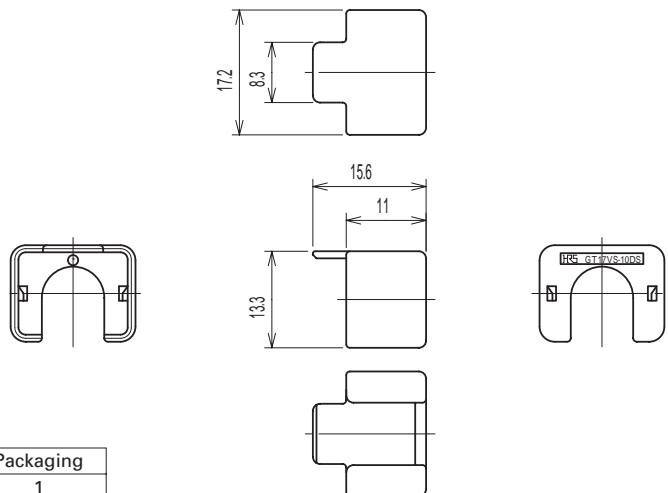
● Shield Cover (Straight Type)



Part Number	CL No.	Material	Finish	Packaging
GT17VS-10DS-SC	767-0060-8	Copper alloy	Tin plating	1

Note: Applicable Cables will have an outside sheath diameter of 7.5 to 8.0 mm.

● Retainer (Straight Type)

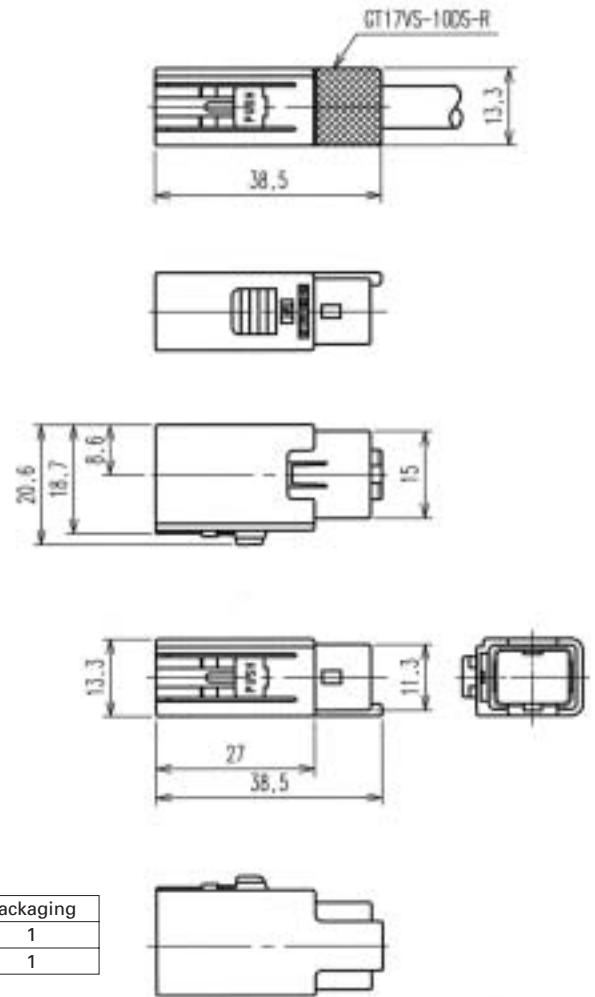
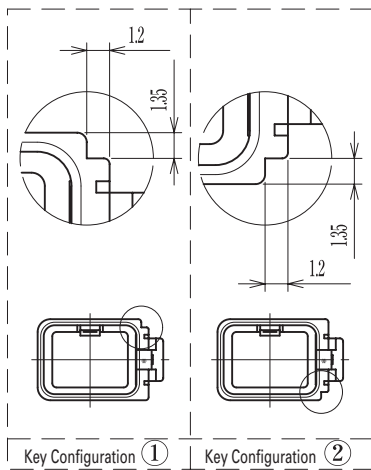
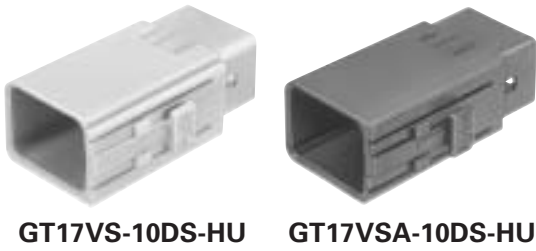


Part Number	CL No.	Material	Color	Packaging
GT17VS-10DS-R	767-0063-6	PBT	Dark gray	1

Note: Applicable Cables will have an outside sheath diameter of 7.5 to 8.0 mm.

● Housing (Straight Type)

◆ Shown with inserted retainer



Part Number	CL No.	Material	Color	Key Configurations	Packaging
GT17VS-10DS-HU	767-0061-0	PBT	Light gray	①	1
GT17VSA-10DS-HU	767-0062-3	PBT	Black	②	1

Note 1: Used with the separate retainer (GT17-10DS-R).

Note 2: Applicable Cable will have an outside sheath diameter of 7.5 to 8.0 mm.

◆ F Connector (10-Conductor Type) Composition Table

Inner Terminal	Insulator	Outer Terminal	Shield Cover	Housing	Retainer
GT17-2022SCF	GT17V-10DS-2C	GT17V-10DS-8CF	GT17V-10DS-SC	GT17V-10DS-HU	GT17V-10DS-R
GT17-2428SCF		GT17V-10DS-8CF	GT17V-10DS-SC	GT17VA-10DS-HU	
GT17-30SCF		GT17VS-10DS-8CF	GT17VS-10DS-SC	GT17VS-10DS-HU	GT17VS-10DS-R

◆ 10-Conductor Type Mating Table

F Connector	M Connector	Color
GT17V-10DS-HU	GT17V-10DP-DS	Light gray
GT17VS-10DS-HU	GT17V-10DP-DSA	
GT17VA-10DS-HU	GT17V-10DP-DS-SB	Black
GT17VSA-10DS-HU	GT17VA-10DP-DS	
	GT17VA-10DP-DSA	
	GT17VA-10P-DS-SB	

M Connectors (10-Conductor Type)

● Printed Circuit Board Type (Right-angle Type)

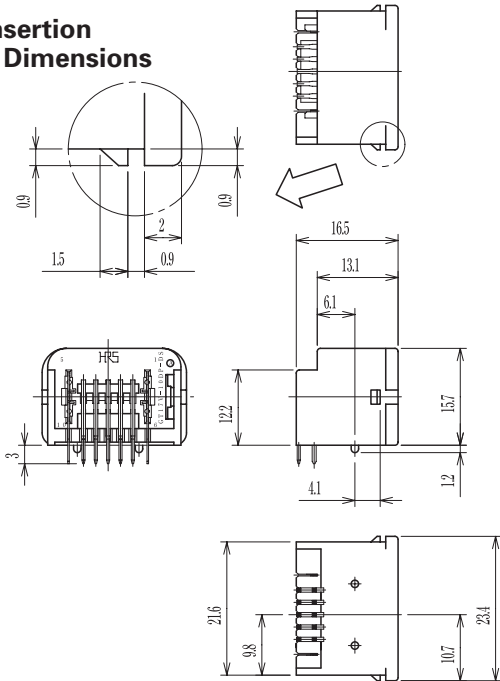


GT17V-10DP-DS

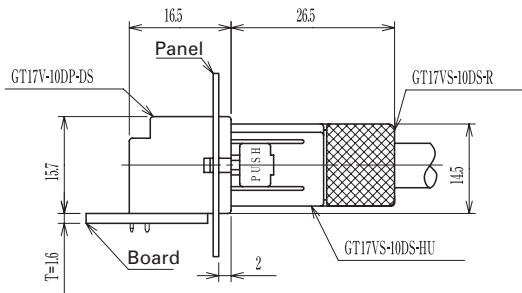


GT17VA-10DP-DS

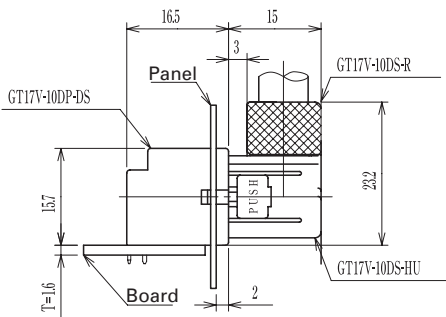
◆ Panel Insertion Portion Dimensions



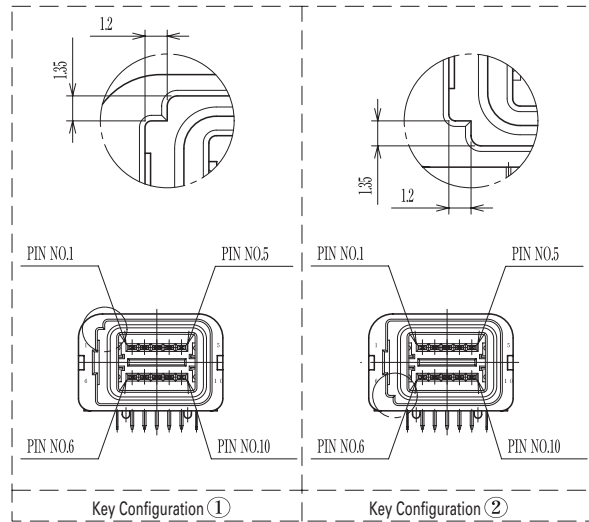
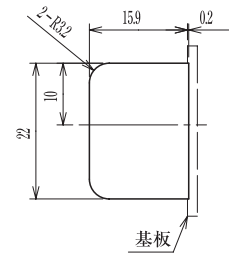
◆ Mounted and fully mated connector assemblies



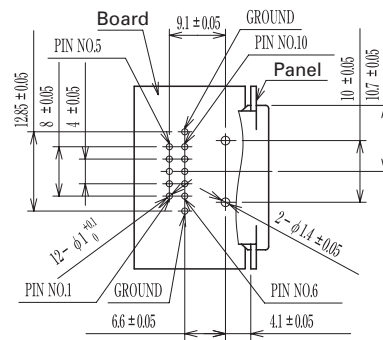
◆ Mounted and fully mated connector assemblies



◆ Recommended Panel Cut-out

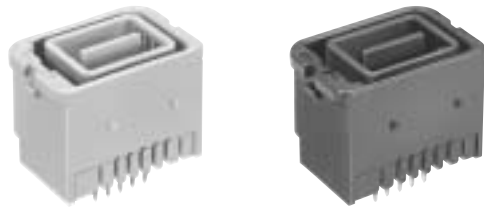


◆ Recommended PCB Mounting Pattern



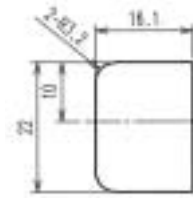
Part Number	CL No.	Material	Color	Key Configurations	Direction of Cable Pull-off	Packaging
GT17V-10DP-DS	767-0034-8	Brass (Center terminal) Copper alloy (Outer terminals)	Light gray	①	Upward with respect to the mounting surface	1
GT17VA-10DP-DS	767-0035-0	PBT (Housing)	Black	②		1

● Printed Circuit Board Type (Straight Type)

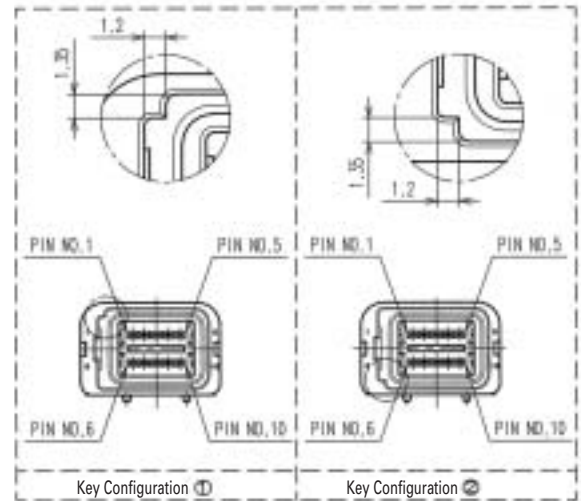
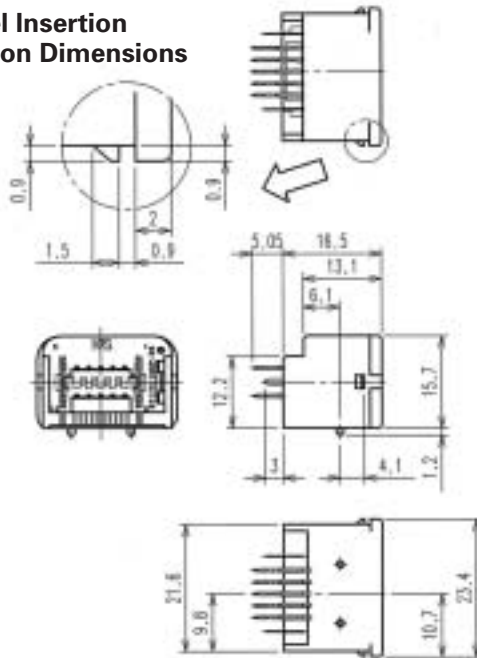


GT17V-10DP-DSA GT17VA-10DP-DSA

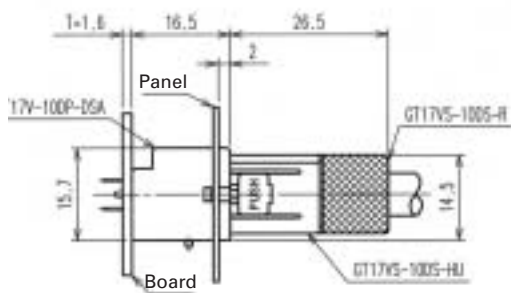
◆ Recommended Panel Cut-out



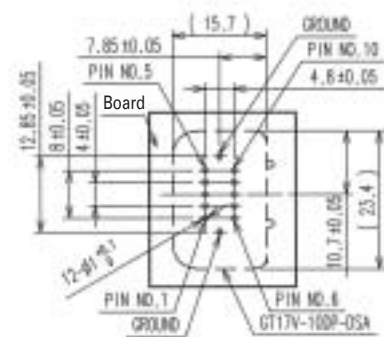
◆ Panel Insertion Portion Dimensions



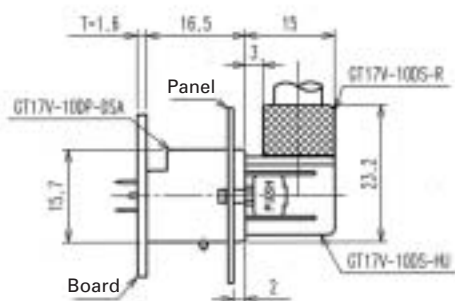
◆ Mounted and fully mated connector assemblies



◆ Recommended PCB Mounting Pattern

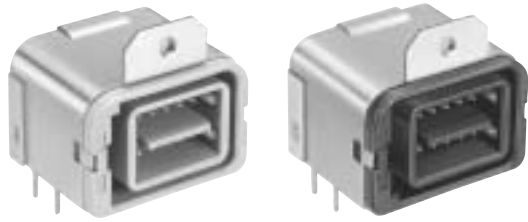


◆ Mounted and fully mated connector assemblies



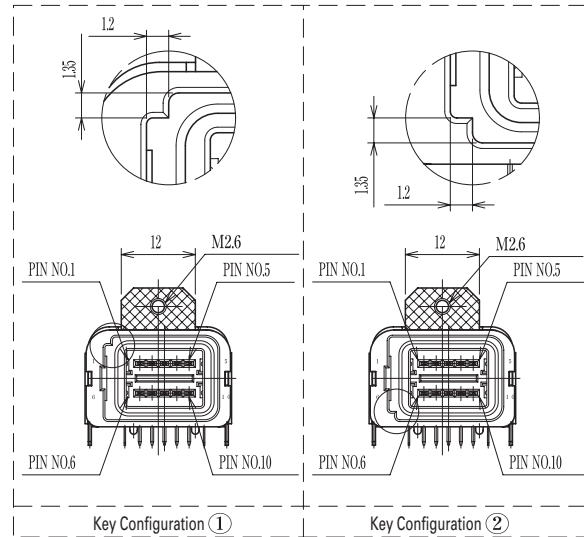
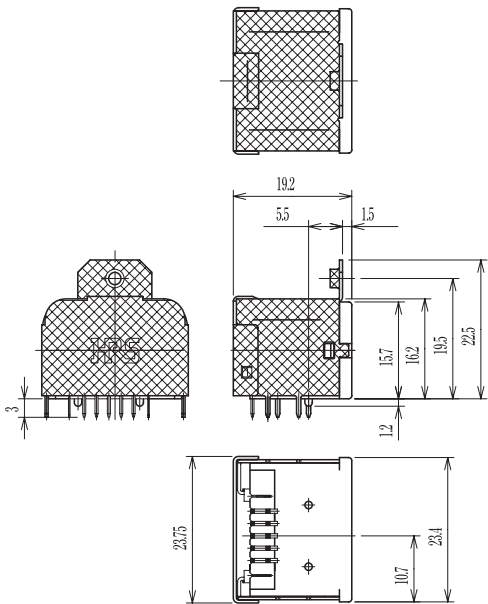
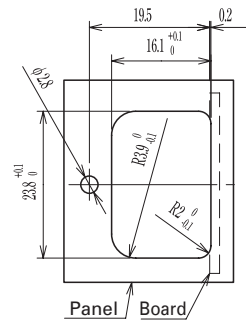
Part Number	CL No.	Material	Color	Key Configurations	Direction of Cable Pull-off	Packaging
GT17V-10DP-DSA	767-0067-7	Brass (Center terminal) Copper alloy (Outer terminals)	Light gray	①	Upward with respect to the mounting surface	1
GT17VA-10DP-DSA	767-0068-0	PBT (Housing)	Black	②		1

● Printed Circuit Board Type (Shield Reinforced Type)



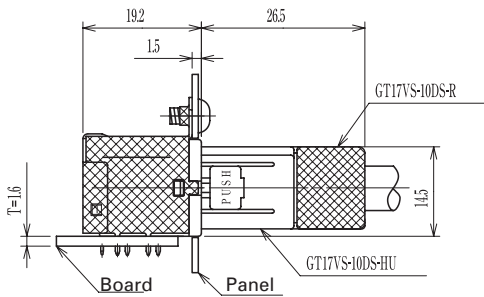
GT17V-10DP-DS-SB GT17VA-10DP-DS-SB

◆ Recommended Panel Cut-out

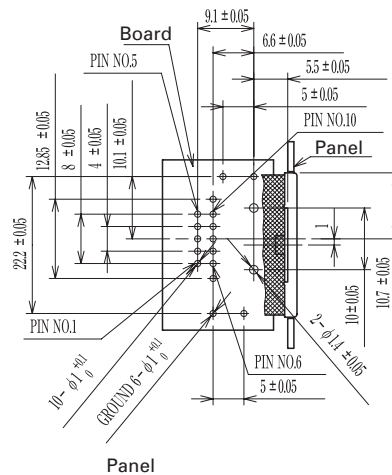
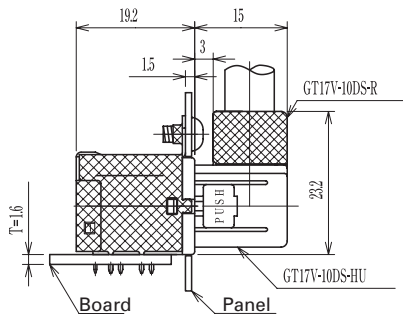


◆ Recommended PCB Mounting Pattern

◆ Mounted and fully mated connector assemblies



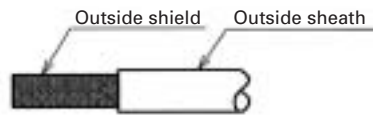
◆ Mounted and fully mated connector assemblies



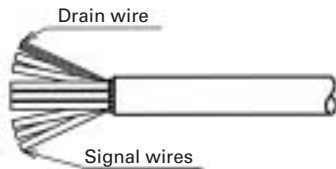
Part Number	CL No.	Material	Color	Key Configurations	Direction of Cable Pull-off	Packaging
GT17V-10DP-DS-SB	767-0069-2	Brass (Center terminal) Copper alloy (Outer terminals)	Light gray	①	Upward with respect to the mounting surface	1
GT17VA-10DP-DS-SB	767-0070-1	PBT (Housing) Brass (Shield)	Black	②		1

◆ Wiring Method

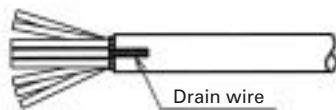
- ① Strip the outside sheath.



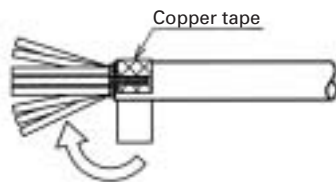
- ② Cut the shield and intermediate material to expose the wire and braid.



- ③ Bend back the drain wire over the sheath.



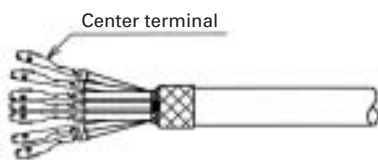
- ④ Wrap with copper tape.



- ⑤ Strip the wire leads.



- ⑥ Crimp the center terminals.

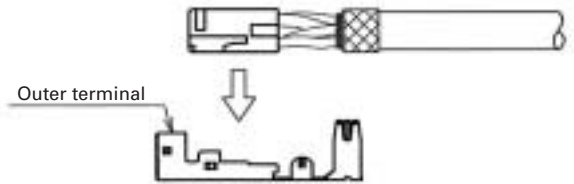


- ⑦ Insert the center terminals into the insulator.

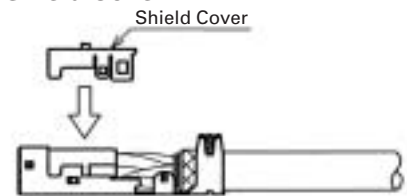


GT17V-10DS-HU Harness Finish

- ⑧ Insert the insulator into the Outer terminal.



- ⑨ Insert the Shield Cover.



- ⑩ Fold back the Outer terminal.



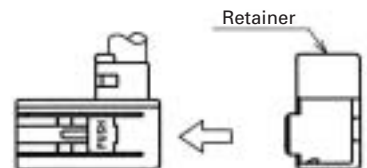
- ⑪ Crimp the Outer terminal.



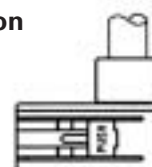
- ⑫ Insert the Outer terminal into the housing.

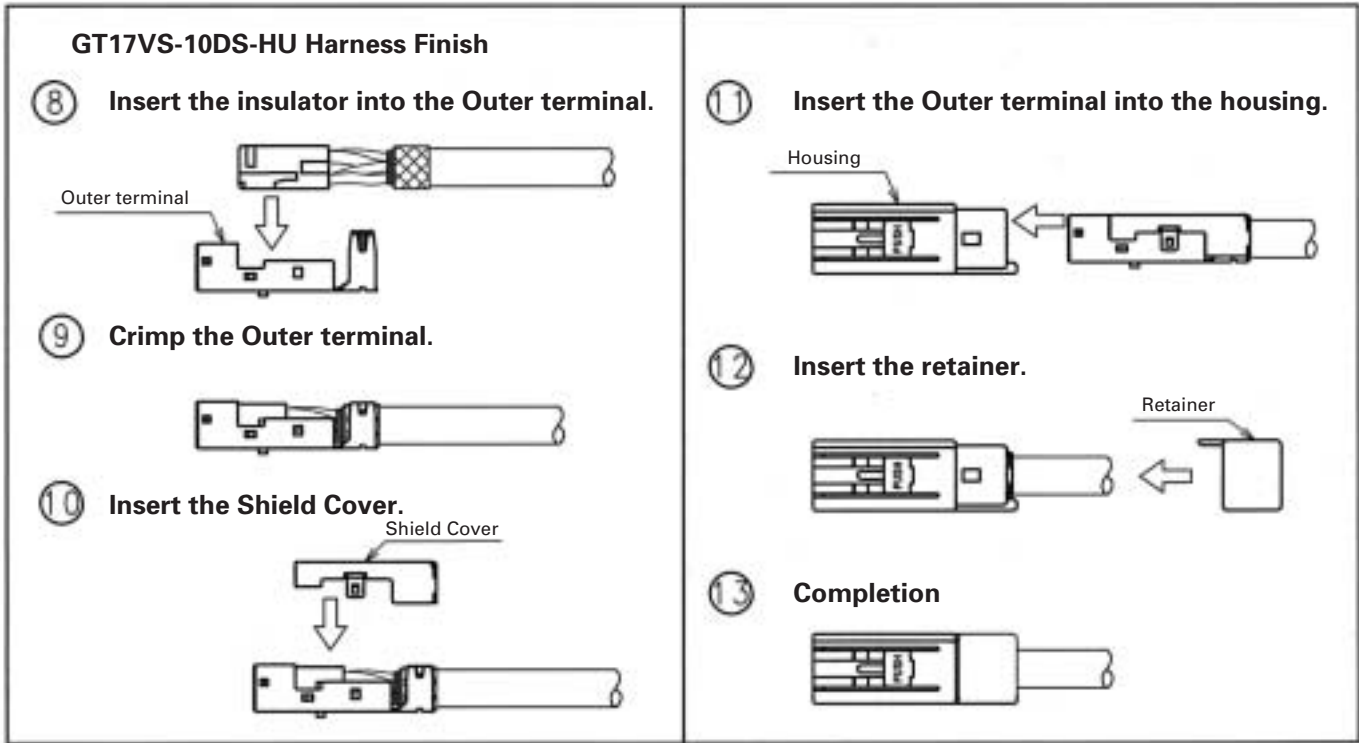


- ⑬ Insert the retainer.



- ⑭ Completion





◆ Termination Tools

User's manuals are available. Please ask your Hirose Electric account representative.

Automatic Crimping Machine



Part Number CM-105

Hand Press



◆ Specifications

Item	Specification	Remarks
Specification	1.5ton	
Stroke Length	30mm	
Number of strokes	200spm (50Hz)	240spm (60Hz)
Weight	75kg	
Motor	0.2kW	AC100V
Crimping speed	2000 to 4000 pcs. per day	

* Crimp height setting tables are available for each cable type. Please contact your nearest Hirose Electric account representative. Different cables will require different crimp height settings.