

# JZC-36F

## SUBMINIATURE INTERMEDIATE POWER RELAY



File No.:E133481



File No.:CH0039695-99



### Features

- 10A switching capabilities
- SPST-NO and SPDT configurations
- Sealed and Unsealed type available

### CONTACT DATA

Contact Arrangement	1A, 1C
Initial Contact Resistance Max.	100mΩ(at 1A 6VDC)
Contact Material	Silver alloy
Contact Rating (Res. Load)	10A 250VAC 10A 30VDC TV-5 125VAC
Max. switching voltage	250VAC/30VDC
Max. switching current	10A
Max. switching power	2500VA/300W
UL/CUR rating	10A 250VAC 10A 30VDC TV-5 125VAC
Mechanical life	1 x 10 <sup>7</sup> ops
Electrical life	1 x 10 <sup>5</sup> ops

### COIL

Coil power	Sensitive:0.25W Standard:0.53W
------------	--------------------------------

### COIL DATA

#### Standard Type

Nominal Voltage VDC	Pick-up Voltage VDC	Drop-out Voltage VDC	Max. allowable Voltage VDC(at 20°C)	Coil Resistance Ω
5	3.75	0.25	6.5	47 ± 10%
6	4.50	0.30	7.8	68 ± 10%
9	6.75	0.45	11.7	155 ± 10%
12	9.00	0.60	15.6	270 ± 10%
18	13.5	0.90	23.4	620 ± 10%
24	18.0	1.20	31.2	1080 ± 10%
48	36.0	2.40	62.4	4400 ± 10%

#### Sensitive Type

Nominal Voltage VDC	Pick-up Voltage VDC	Drop-out Voltage VDC	Max. allowable Voltage VDC(at 20°C)	Coil Resistance Ω
5	3.75	0.25	6.5	100 ± 10%
6	4.50	0.30	7.8	145 ± 10%
9	6.75	0.45	11.7	325 ± 10%
12	9.00	0.60	15.6	575 ± 10%
18	13.5	0.90	23.4	1300 ± 10%
24	18.0	1.20	31.2	2310 ± 10%
48	36.0	2.40	62.4	

### CHARACTERISTICS

Initial Insulation Resistance	1000MΩ (500VDC)	
Dielectric Strength	Between coil and Contacts	NO: 4000VAC 1min
	Between open contacts	NC: 3000VAC 1min
Operate time (at nomi. Volt.)	15ms	
Release time (at nomi. Volt.)	5ms	
Temperature rise	Max. 55°C(at nomi. volt.)	
Humidity	35 to 85%RH	
Ambient temperature	-40°C to 70°C	
Shock Resistance	Functional	200 m/s <sup>2</sup>
	Destructive	1000 m/s <sup>2</sup>
Vibration Resistance	10 to 55 Hz(Amplitvde of 1.5mm)	
Termination	PCB	
Unit weight	Approx.12g	
Construction	Sealed & Unsealed	



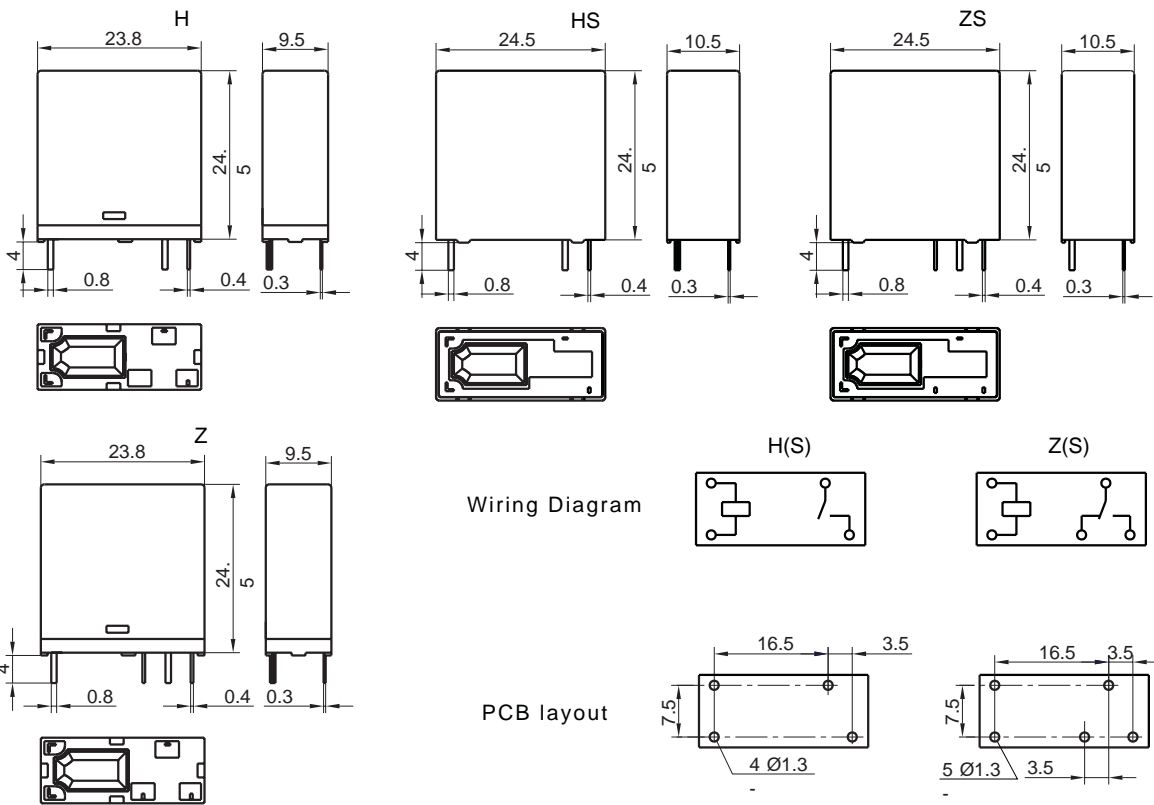
HONGFA RELAY  
ISO9001/QS9000/ISO14000 CERTIFIED

## ORDERING INFORMATION

Type	JZC-36F / 012 H S L T
Coil voltage	5, 6, 9, 12, 18, 24, 48VDC
Contact arrangement	H:1A(SPST-NO) Z:1C(SPST-NC)
Structure	Nil: Unsealed S: Sealed
Coil Power	NIL: Standard L: Sensitive
Contact Material	Nil:AgCdO T:AgSnO

## OUTLINE DIMENSIONS, WIRING DIAGRAM AND PC BOARD LAYOUT

Outline Dimensions



## CHARACTERISTICS CURVE

