

MICRO ELECTRONICS

L72CB/
1YTB

RIGHT ANGLE
YELLOW COLOR
LED LAMPS

FEATURES

Ideal for card edge status indication
Package allows flush seating on a PCB boards

DESCRIPTION

L72CB/1YTB is a right angle LED lamp that incorporates one clear transparent 4.8mm diameter high efficiency yellow color LED lamp in a black plastic housing.

ABSOLUTE MAXIMUM RATINGS

Power Dissipation @ Ta=25°C	60mW
Forward Current, DC (IF)	20mA
Reverse Voltage	5V
Operating & Storage Temperature Range	-25 to +85°C
Lead Soldering Temperature (1/16" from body)	260°C for 5 sec.

ELECTRO-OPTICAL CHARACTERISTICS (Ta=25°C)

PARAMETER		SYMBOL	1YTB	1YTB-L	1YTB-2L	UNIT	CONDITIONS
Forward Voltage	MAX	V _F	3.0	3.0	3.0	V	I _F =20mA
Reverse Breakdown Voltage	MIN	BV _R	5	5	5	V	I _R =100μA
Luminous Intensity	MIN	I _v	45	45	100	mcd	I _F =20mA
	TYP		80	80	180	mcd	I _F =20mA
Peak Wavelength	TYP	λ _p	585	585	585	nm	I _F =20mA
Spectral Line Half Width	TYP	Δλ	35	35	35	nm	I _F =20mA



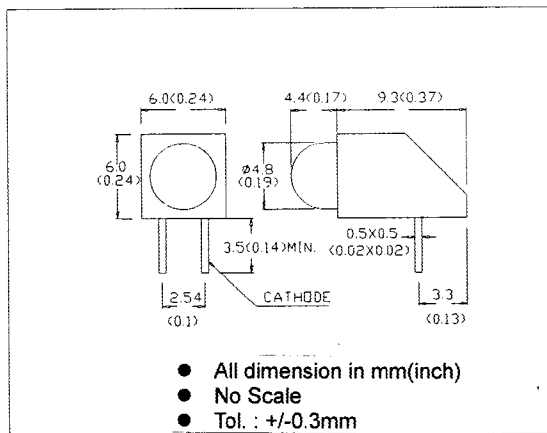
MICRO ELECTRONICS LTD.

38, Hung To Road, Microtron Building, Kwun Tong, Kowloon, Hong Kong.

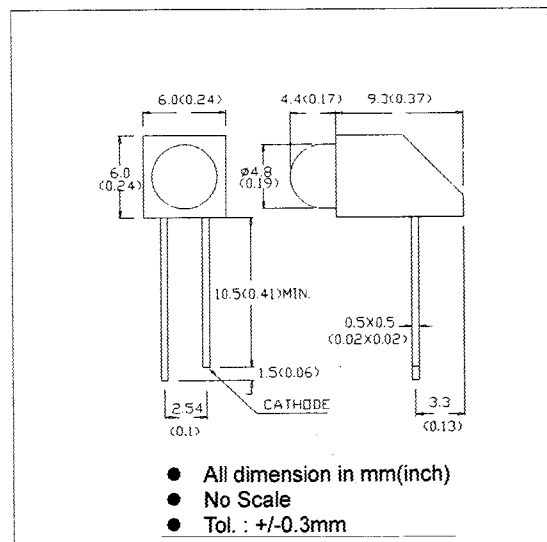
Kwun Tong P.O. Box 69477 Hong Kong. Fax No. 2341 0321 Telex:43510 Micro Hx. Tel: 2343 0181-5

MECHANICAL OUTLINE

L72LB/1YTB



L72CB/1YTB-L



L72CB/1YTB-2L

