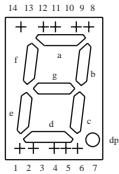


# Numeric Display

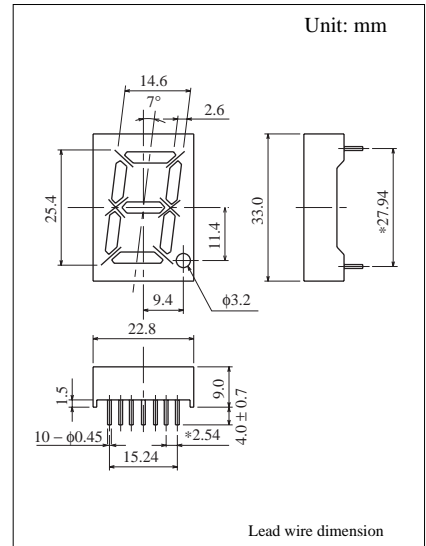
## 1 Digit 25.4 mm (1.0") Series

Conventional Part No.      Global Part No.      Lighting Color  
 LN5110GAMW ..... LNM311AP03 ..... Green  
 LN5110GKMW ..... LNM311KP03 ..... Green  
 LN5110OAMW ..... LNM811AA03 ..... Orange  
 LN5110OKMW ..... LNM811KA03 ..... Orange

### Terminal Connection



Pin No.	Assignment	Assignment
1	Cathode e	Anode e
2	Cathode d	Anode d
3		
4	Common Anode	Common Cathode
5	Cathode c	Anode c
6	Cathode dp	Anode dp
7		
8	Cathode b	Anode b
9	Cathode a	Anode a
10		
11	Common Anode	Common Cathode
12	Cathode f	Anode f
13		
14	Cathode g	Anode g



### ■ Absolute Maximum Ratings ( $T_a = 25^\circ\text{C}$ )

Lighting Color	$P_D$ (mW)	$I_F$ (mA)	$I_{FP}$ (mA)*	$V_R$ (V)	$T_{opr}$ ( $^\circ\text{C}$ )	$T_{stg}$ ( $^\circ\text{C}$ )
Green	110	20	100	5	-25 ~ +80	-30 ~ +85
Orange	110	20	100	3	-25 ~ +80	-30 ~ +85

$I_{FP}$ の条件は  $\text{duty } 10\%$  , Pulse width 1 msec. The condition of  $I_{FP}$  is duty 10%, Pulse width 1 msec

### ■ Electro-Optical Characteristics ( $T_a = 25^\circ\text{C}$ )

Conventional Part No.	Lighting Color	Common	$I_O$ / seg		$I_O$ / d.p	$I_F$	$V_F$		$\lambda_P$	$\Delta\lambda$	$I_F$	$I_R$	
			Typ	Min			Typ	Typ				Max	Max
LN5110GAMW	Green	Anode	3.5	1.4	1.2	10	4.4	5.6	565	30	20	10	10
LN5110GKMW	Green	Cathode	3.5	1.4	1.2	10	4.4	5.6	565	30	20	10	10
LN5110OAMW	Orange	Anode	3.0	1.2	1.0	10	4.2	5.6	630	40	20	10	6
LN5110OKMW	Orange	Cathode	3.0	1.2	1.0	10	4.2	5.6	630	40	20	10	6
Unit	—	—	$\mu\text{cd}$	$\mu\text{cd}$	$\mu\text{cd}$	mA	V	V	nm	nm	mA	$\mu\text{A}$	V

