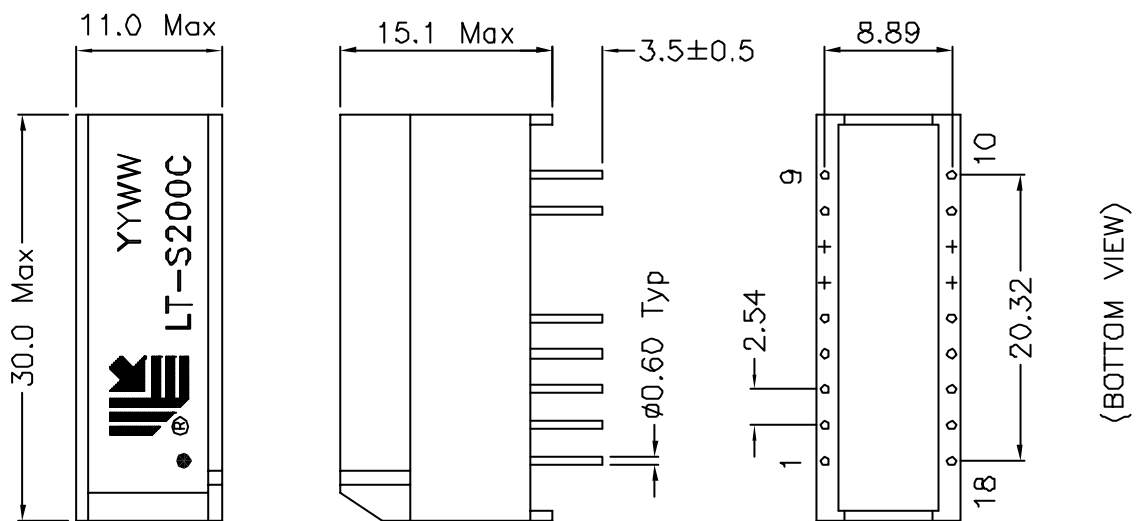


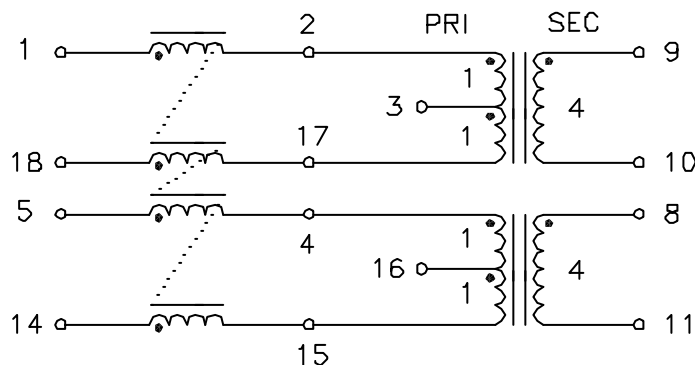
Electrical Specifications @25

Turns Ratio: PIN (2-3):(3-17):(9-10) = 1:1:4 ±1%
 Turns Ratio: PIN (4-16):(16-15):(8-11) = 1:1:4 ±1%
 Turns Ratio: PIN (1-2):(18-17):(5-4):(14-15) = 1:1:1:1 ±1%
 PIN 2-17 OCL: 22mH Minimum @10KHz 100mV
 PIN 4-15 OCL: 22mH Minimum @10KHz 100mV
 (PIN1-2) CHOKE OCL: 5.0mH +50%/-30% @10KHz 100mV
 PIN2-17 LL: 4uH Max @100KHz 100mV PIN9-10 Shorted
 PIN4-15 LL: 4uH Max @100KHz 100mV PIN8-11 Shorted
 (PIN1-2) CHOKE LL: 0.6uH Max @100KHz 100mV PIN5-4 Shorted
 PIN(1-18):(9-10) Cw/w: 120pF Max @10KHz 100mV
 PIN(5-14):(8-11) Cw/w: 120pF Max @10KHz 100mV
 (PIN2-17), (PIN4-15) PRI DCR: 1.6 Ohms Typical
 (PIN9-10), (PIN8-11) SEC DCR: 5.0 Ohms Typical
 (PIN1-2) CHOKE DCR: 1.3 Ohms Maximum
 ΔIdc: 3mA
 HIPOT: 1500Vrms (PRI to SEC)
 HIPOT: 500Vrms (PIN1+9 to PIN5+8)

Mechanicals:



Schematics:



Specification subject to change without notice.

P/N: LT-S200C	DIMENSIONS IN mm	Unless otherwise specified Dim. Tolerances are: .xx ±0.25	REV: A1	DRWN:	DATE: 03-08-23
	SCALE: NONE		PAGE: 1/1	APPD:	DATE: