



64 PATTERN

VISION PERSISTENCE

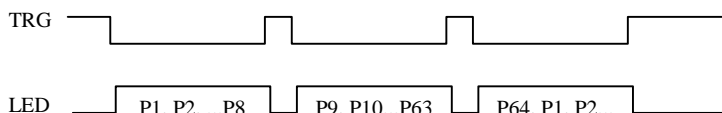
闪烁图案 IC

LED FLASH	
M1173	

FEATURES 功能叙述

- 1 KEY 6 LED 64 patterns.
- Built-in oscillator.

*LH



APPLICATION 产品应用

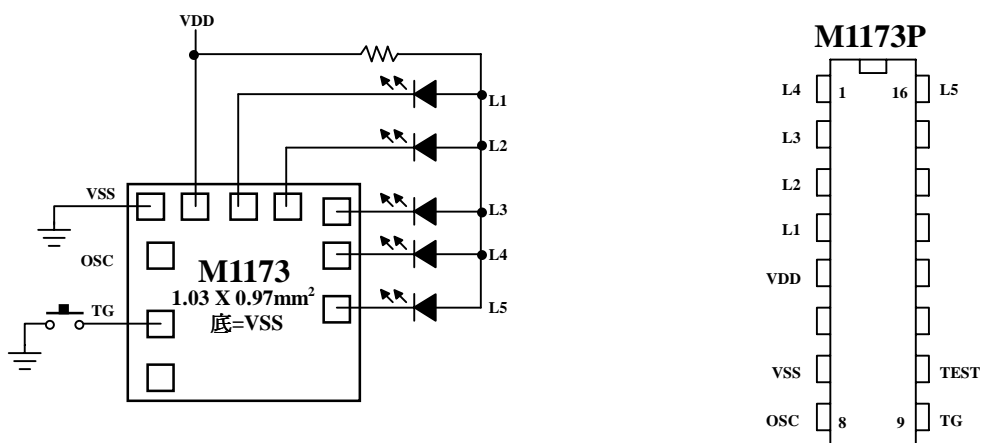
- Blinking LED, Functions indicator, Xmas decoration.

ELECTRICAL CHARACTERISTICS 电气规格

(@V_{DD}=3V unless otherwise specified)

Characteristics	Sym.	Min.	Typ.	Max.	Unit	REMARKS
工作电压 Operating Voltage	V _{DD}	2	3	5	V	
工作电流 Operating Current	I _{OP}	96	120	144	μ A	
静态电流 Quiescent Current	I _{SB}	—	1	5	μ A	
推动电流 Driving Current	I _{OL}	4	—	—	mA	@ V _{DS} =1.2V
振荡频率 Oscillator Frequency	F _{osc}	—	176	—	KHz	±30% TOL.

APPLICATION DIAGRAM 参考电路图



*All specs and applications shown above subject to change without prior notice.

(以上电路及规格仅供参考,本公司得径行修正)



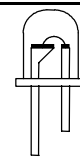
64 PATTERN

VISION PERSISTENCE

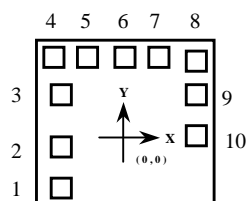
闪烁图案 IC

LED FLASH

M1173



PAD ASSIGNMENT & POSITION



UNIT : um

No.	NAME	X	Y
1	TEST	-334.5	-344.5
2	TG	-334.5	-137.4
3	OSCI	-334.5	118
4	VSS	-369.1	293
5	VDD	-199.1	293
6	L1	-22.3	293
7	L2	143.2	293
8	L3	324.5	273.7
9	L4	324.5	108.2
10	L5	324.5	-86.4

* CHIP SIZE ~ 1.03 x 0.97 mm²

* IC substrate should be connected to VSS in PCB (PCB 上 IC 必须接 VSS)