




SIREN	
M3740B	

## 4 SIREN

## 4 種警報聲 IC

### FEATURES 功能敘述

- 4 programmable sound outputs.
- LED blinking output.
- Priority : K1>K2>K3>K4.

KEY	M3740B
K1	ALARM
K2	POLICE
K3	FIRE
K4	AMBULANCE

### APPLICATION 產品應用

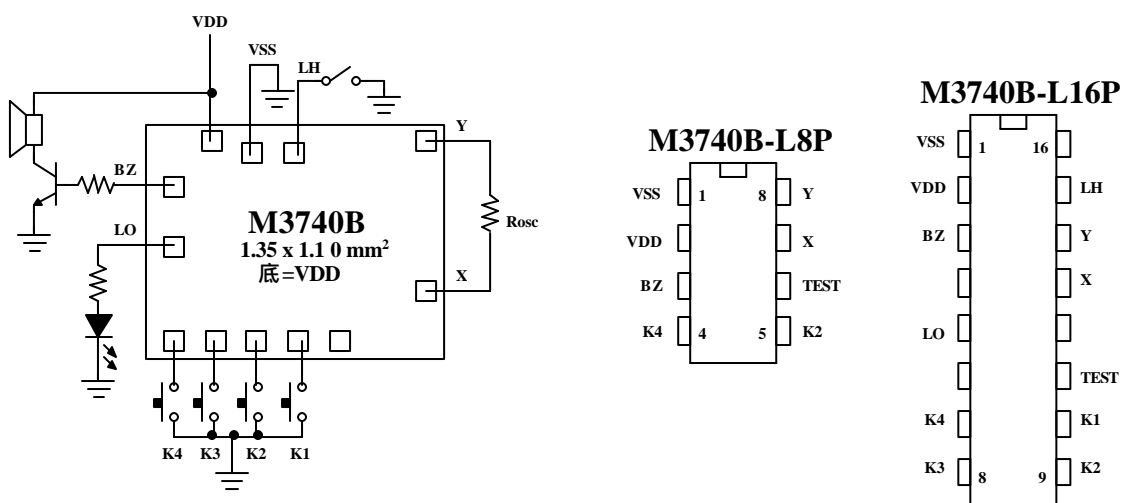
Alarm system, toys etc..

### ELECTRICAL CHARACTERISTICS 電氣規格

( @  $V_{DD}=3V$  unless otherwise specified )

Characteristics	Sym.	Min.	Typ.	Max.	Unit	REMARKS
工作電壓 Operating Voltage	$V_{DD}$	1.5	2.5		V	
工作電流 Operating Current	$I_{OP}$		0.1	0.5	mA	No load
靜態電流 Quiescent Current	$I_{SB}$		1	5	$\mu A$	
推動電流 BZ Driving Current	$I_O$	1			mA	@ $V_{DS}=1V$
推動電流 LO Driving Current	$I_{OL}$	2			mA	@ $V_{DS}=1.2V$
振盪頻率 Oscillator Frequency	$F_{OSC}$		128		KHz	External $\pm 30\%$ , $R_{osc}=130K$
工作溫度 Operating Temperature	Temp.	0	25	60		


### APPLICATION DIAGRAM 參考電路圖



\*All specs and applications shown above subject to change without prior notice.

( 以上電路及規格僅供參考,本公司得逕行修正 )

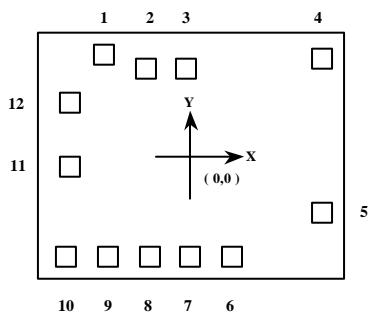


SIREN	
M3740B	

4 SIREN

4 種警報聲 IC

**PAD ASSIGNMENT & POSITION**



UNIT : um

No.	NAME	X	Y
1	VDD	-347.25	426.25
2	VSS	-177.25	371.25
3	LH	-5.25	371.25
4	X	550	412.5
5	Y	550	-226.75
6	TEST	183.5	-427.5
7	K1	11.5	-427.5
8	K2	-160.5	-427.5
9	K3	-332.5	-427.5
10	K4	-504.5	-427.5
11	LO	-496.5	-50.25
12	BZ	-496.5	218.25

\* CHIP SIZE ~ 1.35 x 1.10 mm<sup>2</sup>

\* IC substrate should be connected to VDD in PCB (PCB 上 IC 必須接 VDD).