



# Dual, 256-Tap, Nonvolatile, SPI-Interface, Linear-Taper Digital Potentiometers

## General Description

The MAX5487/MAX5488/MAX5489 dual, linear-taper, digital potentiometers function as mechanical potentiometers with a simple 3-wire SPI™-compatible digital interface that programs the wipers to any one of 256 tap positions. These digital potentiometers feature a nonvolatile memory (EEPROM) to return the wipers to their previously stored positions upon power-up.

The MAX5487 has an end-to-end resistance of 10kΩ, while the MAX5488 and MAX5489 have resistances of 50kΩ and 100kΩ, respectively. These devices have a low 35ppm/°C end-to-end temperature coefficient, and operate from a single +2.7V to +5.25V supply.

The MAX5487/MAX5488/MAX5489 are available in a 16-pin 3mm x 3mm x 0.8mm thin QFN package. Each device is guaranteed over the extended -40°C to +85°C temperature range.

## Applications

LCD Screen Adjustment  
 Audio Volume Control  
 Mechanical Potentiometer Replacement  
 Low-Drift Programmable Filters  
 Low-Drift Programmable-Gain Amplifiers

## Features

- ◆ Wiper Position Stored in Nonvolatile Memory (EEPROM) and Recalled Upon Power-Up or Recalled by an Interface Command
- ◆ 3mm x 3mm x 0.8mm Thin QFN Package
- ◆ ±1 LSB INL, ±0.5 LSB DNL (Voltage-Divider Mode)
- ◆ 256 Tap Positions
- ◆ 35ppm/°C End-to-End Resistance Temperature Coefficient
- ◆ 5ppm/°C Ratiometric Temperature Coefficient
- ◆ 10kΩ, 50kΩ, and 100kΩ End-to-End Resistance Values
- ◆ SPI-Compatible Serial Interface
- ◆ Reliability
  - 200,000 Wiper Store Cycles
  - 50-Year Wiper Data Retention
- ◆ +2.7V to +5.25V Single-Supply Operation

*SPI is a trademark of Motorola, Inc.*

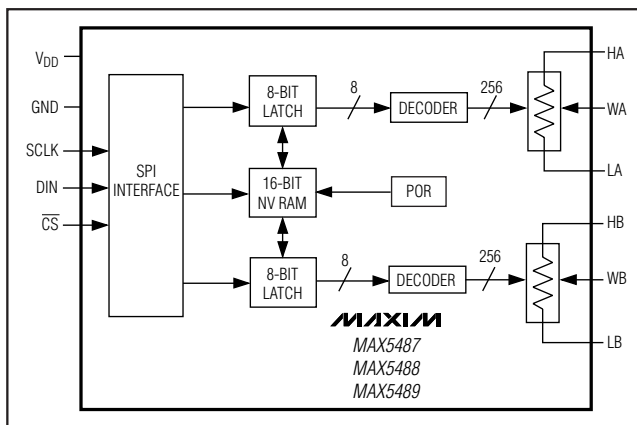
## Ordering Information/Selector Guide

PART	TEMP RANGE	PIN-PACKAGE	END-TO-END RESISTANCE (kΩ)	TOP MARK
MAX5487ETE*	-40°C to +85°C	16 Thin QFN-EP**	10	ABR
MAX5488ETE	-40°C to +85°C	16 Thin QFN-EP**	50	ABS
MAX5489ETE	-40°C to +85°C	16 Thin QFN-EP**	100	ABT

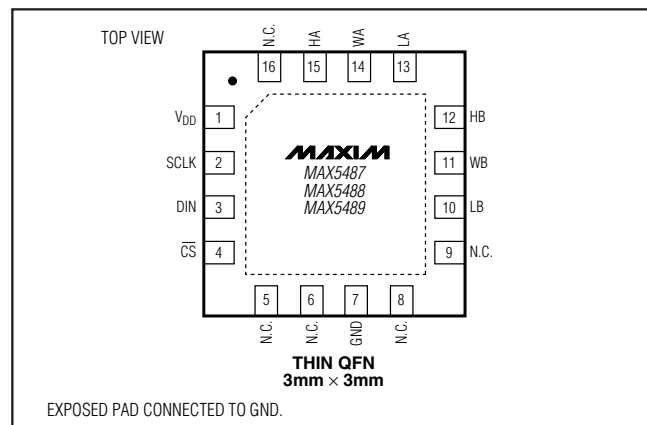
\*Future product—contact factory for availability.

\*\*EP = Exposed pad.

## Functional Diagram



## Pin Configuration



**MAXIM**

Maxim Integrated Products 1

For pricing, delivery, and ordering information, please contact Maxim/Dallas Direct! at 1-888-629-4642, or visit Maxim's website at [www.maxim-ic.com](http://www.maxim-ic.com).

MAX5487/MAX5488/MAX5489

# Dual, 256-Tap, Nonvolatile, SPI-Interface, Linear-Taper Digital Potentiometers

## ABSOLUTE MAXIMUM RATINGS

V <sub>DD</sub> to GND .....	-0.3V to +6.0V	Continuous Power Dissipation (T <sub>A</sub> = +70°C)	
All Other Pins		16-Pin Thin QFN (derate 17.5mW/°C above +70°C).....	1398mW
to GND.....	-0.3V to the lower of (V <sub>DD</sub> + 0.3V) and +6.0V	Operating Temperature Range .....	-40°C to +85°C
Maximum Continuous Current into H <sub>-</sub> , W <sub>-</sub> , and L <sub>-</sub>		Junction Temperature .....	+150°C
MAX5487.....	±5.0mA	Storage Temperature Range .....	-60°C to +150°C
MAX5488.....	±1.3mA	Lead Temperature (soldering, 10s).....	+300°C
MAX5489.....	±0.6mA		

Stresses beyond those listed under "Absolute Maximum Ratings" may cause permanent damage to the device. These are stress ratings only, and functional operation of the device at these or any other conditions beyond those indicated in the operational sections of the specifications is not implied. Exposure to absolute maximum rating conditions for extended periods may affect device reliability.

## DC ELECTRICAL CHARACTERISTICS

(V<sub>DD</sub> = +2.7V to +5.25V, V<sub>H</sub> = V<sub>DD</sub>, V<sub>L</sub> = GND, T<sub>A</sub> = -40°C to +85°C, unless otherwise noted. Typical values are at V<sub>DD</sub> = +5.0V, T<sub>A</sub> = +25°C, unless otherwise noted.) (Note 1)

PARAMETER	SYMBOL	CONDITIONS	MIN	TYP	MAX	UNITS
<b>DC PERFORMANCE (Voltage-Divider Mode, Figure 1)</b>						
Resolution	N		256			Taps
Integral Nonlinearity	INL	(Note 2)			±1	LSB
Differential Nonlinearity	DNL	(Note 2)			±0.5	LSB
Dual-Code Matching		Register A = register B			2	LSB
End-To-End Resistor Tempco	TC <sub>R</sub>			35		ppm/°C
Ratiometric Resistor Tempco				5		ppm/°C
Full-Scale Error		MAX5488		-0.6	+1.2	LSB
		MAX5489		-0.3	+1.2	
Zero-Scale Error		MAX5488		0.6	1.5	LSB
		MAX5489		0.3	1	
<b>DC PERFORMANCE (Variable-Resistor Mode, Figure 1)</b>						
Resolution			256			Taps
Integral Nonlinearity (Note 3)		MAX5488/MAX5489	V <sub>DD</sub> = 5.0V		±1.5	LSB
			V <sub>DD</sub> = 3.0V		±3	
Differential Nonlinearity (Note 3)		MAX5488/MAX5489	V <sub>DD</sub> = 5.0V		±1	
			V <sub>DD</sub> = 3.0V		±1	
<b>DC PERFORMANCE (Resistor Characteristics)</b>						
Wiper Resistance (Note 4)	R <sub>W</sub>	V <sub>DD</sub> = 5.0V		200	350	Ω
		V <sub>DD</sub> = 3.0V		325	675	
Wiper Capacitance	C <sub>W</sub>			50		pF
End-to-End Resistance	R <sub>H</sub> L	MAX5487		7.5	10	12.5
		MAX5488		37.5	50	62.5
		MAX5489		75	100	125

# Dual, 256-Tap, Nonvolatile, SPI-Interface, Linear-Taper Digital Potentiometers

MAX5487/MAX5488/MAX5489

## DC ELECTRICAL CHARACTERISTICS (continued)

( $V_{DD} = +2.7V$  to  $+5.25V$ ,  $V_H = V_{DD}$ ,  $V_L = GND$ ,  $T_A = -40^{\circ}C$  to  $+85^{\circ}C$ , unless otherwise noted. Typical values are at  $V_{DD} = +5.0V$ ,  $T_A = +25^{\circ}C$ , unless otherwise noted.) (Note 1)

PARAMETER	SYMBOL	CONDITIONS		MIN	TYP	MAX	UNITS
<b>DIGITAL INPUTS</b>							
Input High Voltage (Note 5)	$V_{IH}$	$V_{DD} = 3.6V$ to $5.25V$		2.4			V
		$V_{DD} = 2.7V$ to $3.6V$		$0.7 \times V_{DD}$			
Input Low Voltage	$V_{IL}$	$V_{DD} = 2.7V$ to $5.25V$ (Note 5)				0.8	V
Input Leakage Current	$I_{IN}$					$\pm 1.0$	$\mu A$
Input Capacitance	$C_{IN}$			5.0			pF
<b>AC PERFORMANCE</b>							
Crosstalk		$f_H = 1kHz$ , $L_- = GND$ , measurement at $W_-$ (Note 6)		-90			dB
-3dB Bandwidth	BW	Wiper at midscale $C_{W_-} = 10pF$	MAX5488	90			kHz
			MAX5489	45			
Total Harmonic Distortion	THD	$V_H = 1V_{RMS}$ at $1kHz$ , $L_- = GND$ , measurement at $W_-$		0.02			%
<b>TIMING CHARACTERISTICS (Analog)</b>							
Wiper-Settling Time	$t_s$	Code 0 to 127 (Note 7)	MAX5488	0.75			$\mu s$
			MAX5489	1.5			
<b>TIMING CHARACTERISTICS (Digital, Figure 2, Note 8)</b>							
SCLK Frequency				5			MHz
SCLK Clock Period	$t_{CP}$			200			ns
SCLK Pulse-Width High	$t_{CH}$			80			ns
SCLK Pulse-Width Low	$t_{CL}$			80			ns
$\overline{CS}$ Fall to SCLK Rise Setup	$t_{CSS}$			80			ns
SCLK Rise to $\overline{CS}$ Rise Hold	$t_{CSH}$			0			ns
DIN to SCLK Setup	$t_{DS}$			50			ns
DIN Hold after SCLK	$t_{DH}$			0			ns
SCLK Rise to $\overline{CS}$ Fall Delay	$t_{CS0}$			20			ns
$\overline{CS}$ Rise to SCLK Rise Hold	$t_{CS1}$			80			ns
$\overline{CS}$ Pulse-Width High	$t_{CSW}$			200			ns
Write NV Register Busy Time	$t_{BUSY}$					12	ms
Read NV Register Access Time	$t_{ACC}$					1	$\mu s$
Write Wiper Register to Output Delay	$t_{WO}$					1	$\mu s$
<b>NONVOLATILE MEMORY RELIABILITY</b>							
Data Retention		Mil-Std-883 test method 1008	$T_A = +85^{\circ}C$	50			Years
			$T_A = +125^{\circ}C$	10			
Endurance		Mil-Std-883 test method 1033	$T_A = +85^{\circ}C$	200,000			Stores
			$T_A = +125^{\circ}C$	50,000			

# Dual, 256-Tap, Nonvolatile, SPI-Interface, Linear-Taper Digital Potentiometers

## DC ELECTRICAL CHARACTERISTICS (continued)

( $V_{DD} = +2.7V$  to  $+5.25V$ ,  $V_H = V_{DD}$ ,  $V_L = GND$ ,  $T_A = -40^{\circ}C$  to  $+85^{\circ}C$ , unless otherwise noted. Typical values are at  $V_{DD} = +5.0V$ ,  $T_A = +25^{\circ}C$ , unless otherwise noted.) (Note 1)

PARAMETER	SYMBOL	CONDITIONS	MIN	TYP	MAX	UNITS
<b>POWER SUPPLIES</b>						
Power-Supply Voltage	$V_{DD}$		2.70		5.25	V
Supply Current	$I_{DD}$	During write cycle only, digital inputs = $V_{DD}$ or GND			400	$\mu A$
Standby Current		Digital inputs = $V_{DD}$ or GND, $T_A = +25^{\circ}C$		0.5	1	$\mu A$

**Note 1:** All devices are production tested at  $T_A = +25^{\circ}C$  and are guaranteed by design and characterization for  $-40^{\circ}C < T_A < +85^{\circ}C$ .

**Note 2:** DNL and INL are measured with the potentiometer configured as a voltage-divider with  $H_+ = V_{DD}$  and  $L_- = 0$ . The wiper terminal is unloaded and measured with an ideal voltmeter.

**Note 3:** DNL and INL are measured with the potentiometer configured as a variable resistor.  $H_+$  is unconnected and  $L_- = 0$ . For  $V_{DD} = +5V$ , the wiper terminal is driven with a source current of  $400\mu A$  for the  $10k\Omega$  configuration,  $80\mu A$  for the  $50k\Omega$  configuration, and  $40\mu A$  for the  $100k\Omega$  configuration. For  $V_{DD} = +3V$ , the wiper terminal is driven with a source current of  $200\mu A$  for the  $10k\Omega$  configuration,  $40\mu A$  for the  $50k\Omega$  configuration, and  $20\mu A$  for the  $100k\Omega$  configuration.

**Note 4:** The wiper resistance is the worst value measured by injecting the currents given in Note 3 into  $W_+$  with  $L_- = GND$ .  $R_W = (V_W - V_H) / I_W$ .

**Note 5:** The device draws higher supply current when the digital inputs are driven with voltages between ( $V_{DD} - 0.5V$ ) and ( $GND + 0.5V$ ). See Supply Current vs. Digital Input Voltage in the *Typical Operating Characteristics* section.

**Note 6:** Wiper at midscale with a  $10pF$  load.

**Note 7:** Wiper-settling time is the worst-case 0-to-50% rise time, measured between tap 0 and tap 127.  $H_+ = V_{DD}$ ,  $L_- = GND$ , and the wiper terminal is unloaded and measured with a  $10pF$  oscilloscope probe (see Tap-to-Tap Switching Transient in the *Typical Operating Characteristics* section).

**Note 8:** Digital timing is guaranteed by design and characterization, and is not production tested.

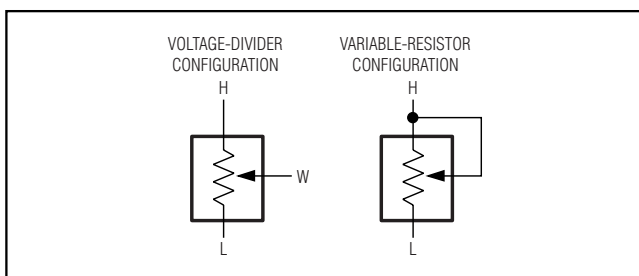


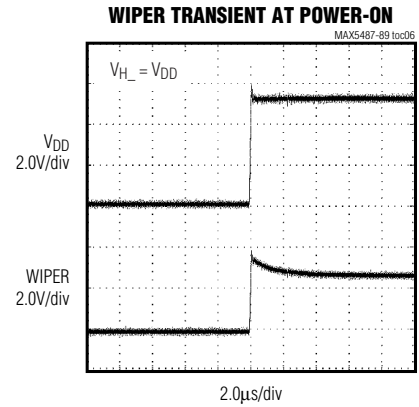
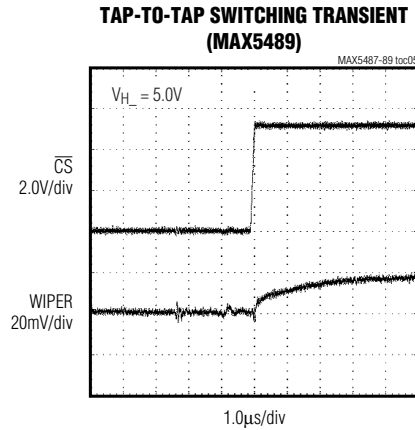
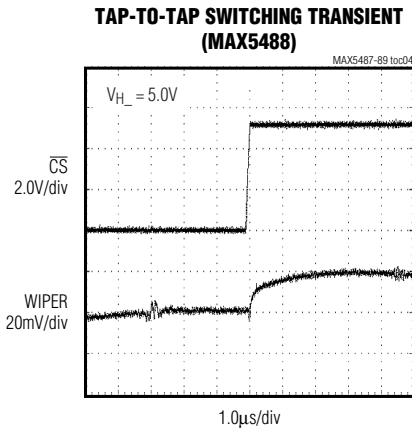
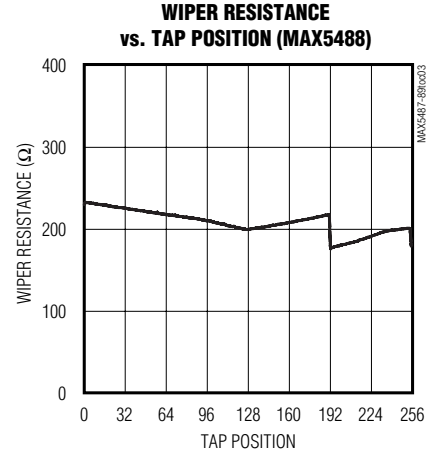
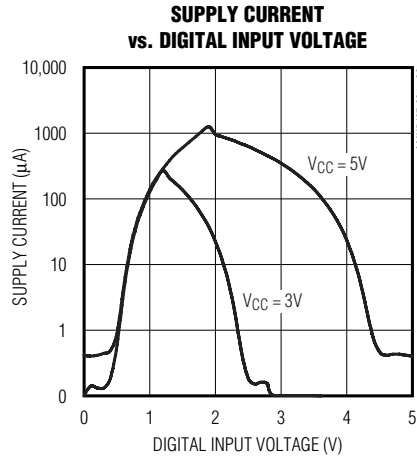
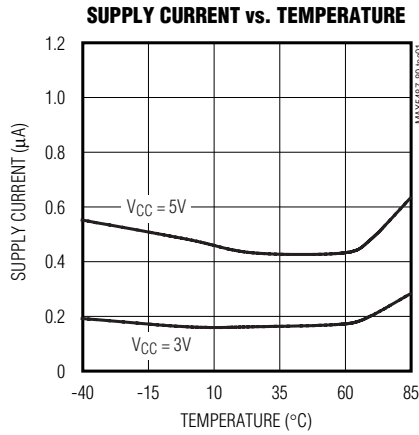
Figure 1. Voltage-Divider/Variable-Resistor Configurations

# Dual, 256-Tap, Nonvolatile, SPI-Interface, Linear-Taper Digital Potentiometers

## Typical Operating Characteristics

( $V_{DD} = +5.0V$ ,  $T_A = +25^\circ C$ , unless otherwise noted.)

MAX5487/MAX5488/MAX5489

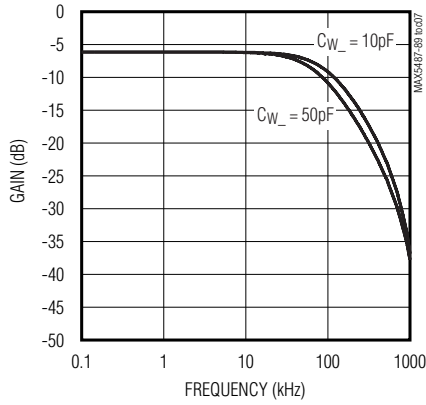


# Dual, 256-Tap, Nonvolatile, SPI-Interface, Linear-Taper Digital Potentiometers

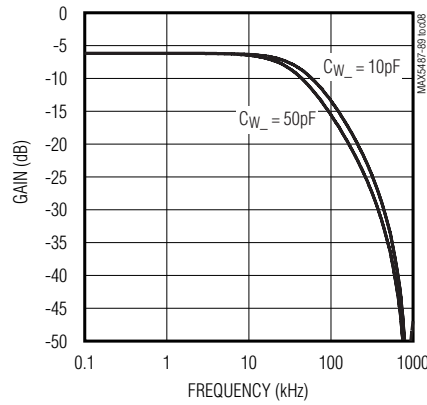
## Typical Operating Characteristics (continued)

( $V_{DD} = +5.0V$ ,  $T_A = +25^\circ C$ , unless otherwise noted.)

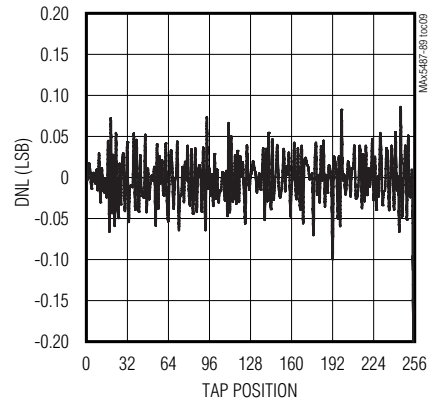
**MIDSCALE FREQUENCY RESPONSE (MAX5488)**



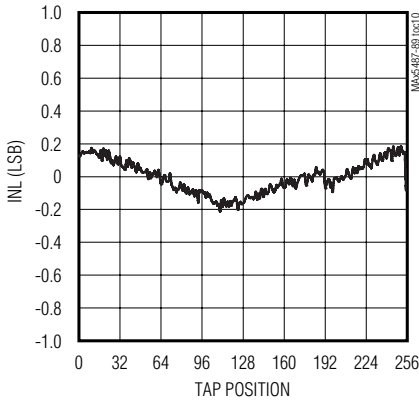
**MIDSCALE FREQUENCY RESPONSE (MAX5489)**



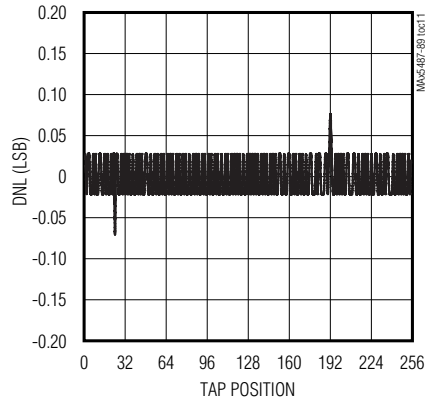
**VARIABLE-RESISTOR DNL vs. TAP POSITION (MAX5488)**



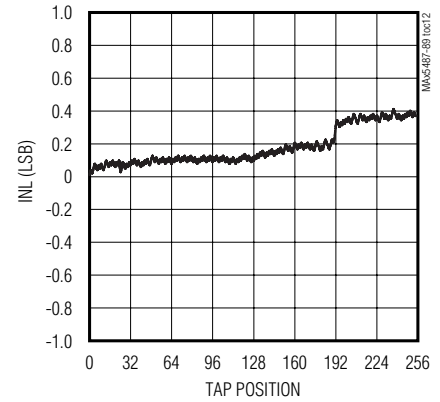
**VARIABLE-RESISTOR INL vs. TAP POSITION (MAX5488)**



**VOLTAGE-DIVIDER DNL vs. TAP POSITION (MAX5488)**



**VOLTAGE-DIVIDER INL vs. TAP POSITION (MAX5488)**

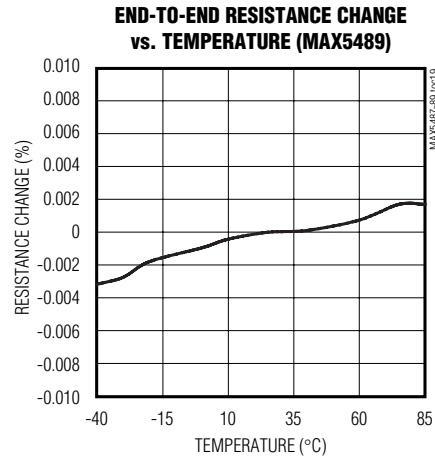
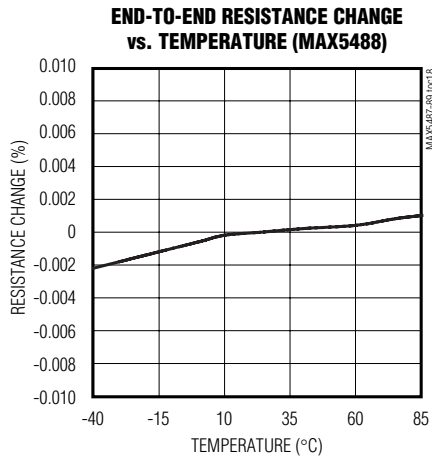
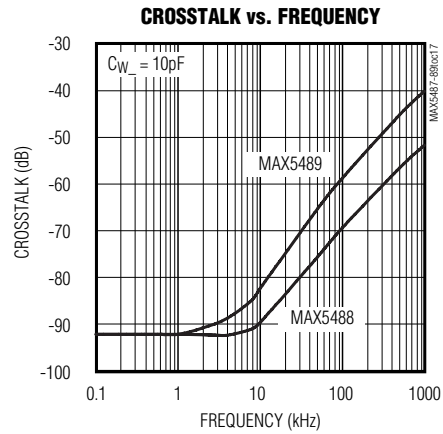
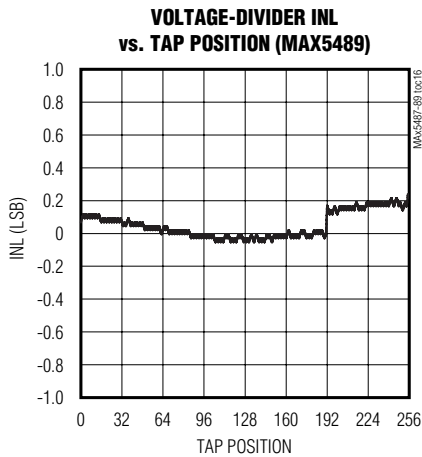
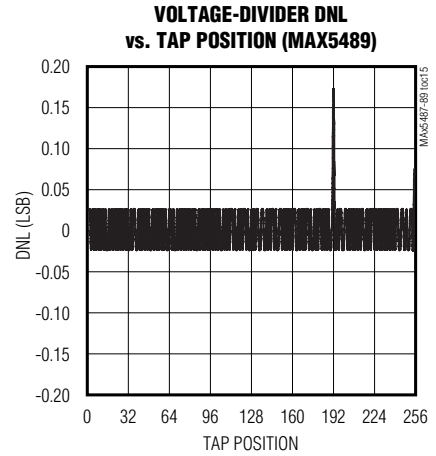
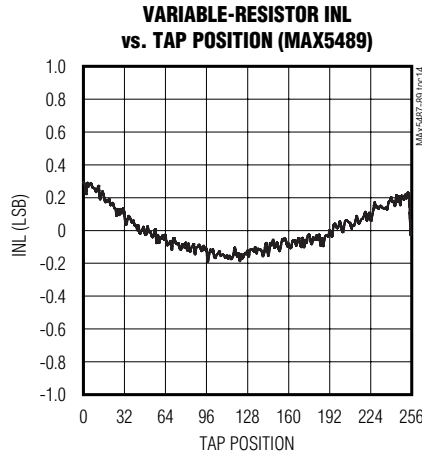
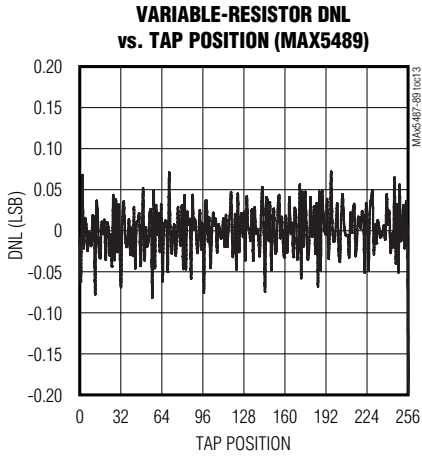


# Dual, 256-Tap, Nonvolatile, SPI-Interface, Linear-Taper Digital Potentiometers

## Typical Operating Characteristics (continued)

( $V_{DD} = +5.0V$ ,  $T_A = +25^\circ C$ , unless otherwise noted.)

MAX5487/MAX5488/MAX5489



# Dual, 256-Tap, Nonvolatile, SPI-Interface, Linear-Taper Digital Potentiometers

## Pin Description

PIN	NAME	FUNCTION
1	V <sub>DD</sub>	Power Supply. Bypass to GND with a 0.1μF capacitor as close to the device as possible.
2	SCLK	Serial-Interface Clock Input
3	DIN	Serial-Interface Data Input
4	$\overline{\text{CS}}$	Active-Low Chip-Select Digital Input
5, 6, 8, 9, 16	N.C.	No Connection. Not internally connected.
7	GND	Ground
10	LB	Low Terminal of Resistor B. The voltage at L can be greater than or less than the voltage at H. Current can flow into or out of L.
11	WB	Wiper Terminal of Resistor B
12	HB	High Terminal of Resistor B. The voltage at H can be greater than or less than the voltage at L. Current can flow into or out of H.
13	LA	Low Terminal of Resistor A. The voltage at L can be greater than or less than the voltage at H. Current can flow into or out of L.
14	WA	Wiper Terminal of Resistor A
15	HA	High Terminal of Resistor A. The voltage at H can be greater than or less than the voltage at L. Current can flow into or out of H.
—	E.P.	Exposed Pad. Not internally connected. Connect to ground or leave floating.

## Detailed Description

The MAX5487/MAX5488/MAX5489 contain two resistor arrays, with 255 resistive elements each. The MAX5487 has an end-to-end resistance of 10kΩ, while the MAX5488 and MAX5489 have resistances of 50kΩ and 100kΩ, respectively. The MAX5487/MAX5488/MAX5489 allow access to the high, low, and wiper terminals on both potentiometers for a standard voltage-divider configuration. Connect the wiper to the high terminal, and connect the low terminal to ground, to make the device a variable resistor (see Figure 1).

A simple 3-wire serial interface programs either wiper directly to any of the 256 tap points. The nonvolatile memory stores the wiper position prior to power-down and recalls the wiper to the same point upon power-up or by using an interface command (see Table 1). The nonvolatile memory is guaranteed for 200,000 wiper store cycles and 50 years for wiper data retention.

### SPI Digital Interface

The MAX5487/MAX5488/MAX5489 use a 3-wire SPI-compatible serial data interface (Figures 2 and 3). This write-only interface contains three inputs: chip-select

( $\overline{\text{CS}}$ ), data clock (SCLK), and data in (DIN). Drive  $\overline{\text{CS}}$  low to enable the serial interface and clock data synchronously into the shift register on each SCLK rising edge.

The WRITE commands (C1, C0 = 00 or 01) require 16 clock cycles to clock in the command, address, and data (Figure 3a). The COPY commands (C1, C0 = 10, 11) can use either eight clock cycles to transfer only command and address bits (Figure 3b) or 16 clock cycles, with the device disregarding 8 data bits (Figure 3a).

After loading data into the shift register, drive  $\overline{\text{CS}}$  high to latch the data into the appropriate potentiometer control register and disable the serial interface. Keep  $\overline{\text{CS}}$  low during the entire serial data stream to avoid corruption of the data.

### Digital-Interface Format

The data format consists of three elements: command bits, address bits, and data bits (see Table 1 and Figure 3). The command bits (C1 and C0) indicate the action to be taken such as changing or storing the wiper position. The address bits (A1 and A0) specify which potentiometer the command affects and the 8 data bits (D7 to D0) specify the wiper position.



# Dual, 256-Tap, Nonvolatile, SPI-Interface, Linear-Taper Digital Potentiometers

MAX5487/MAX5488/MAX5489

**Table 1. Register Map**

CLOCK EDGE	1	2	3	4	5	6	7	8	9	10	11	12	13	14	15	16
	—	—	C1	C0	—	—	A1	A0	D7	D6	D5	D4	D3	D2	D1	D0
Write Wiper Register A	0	0	0	0	0	0	0	1	D7	D6	D5	D4	D3	D2	D1	D0
Write Wiper Register B	0	0	0	0	0	0	1	0	D7	D6	D5	D4	D3	D2	D1	D0
Write NV Register A	0	0	0	1	0	0	0	1	D7	D6	D5	D4	D3	D2	D1	D0
Write NV Register B	0	0	0	1	0	0	1	0	D7	D6	D5	D4	D3	D2	D1	D0
Copy Wiper Register A to NV Register A	0	0	1	0	0	0	0	1	—	—	—	—	—	—	—	—
Copy Wiper Register B to NV Register B	0	0	1	0	0	0	1	0	—	—	—	—	—	—	—	—
Copy Both Wiper Registers to NV Registers	0	0	1	0	0	0	1	1	—	—	—	—	—	—	—	—
Copy NV Register A to Wiper Register A	0	0	1	1	0	0	0	1	—	—	—	—	—	—	—	—
Copy NV Register B to Wiper Register B	0	0	1	1	0	0	1	0	—	—	—	—	—	—	—	—
Copy Both NV Registers to Wiper Registers	0	0	1	1	0	0	1	1	—	—	—	—	—	—	—	—

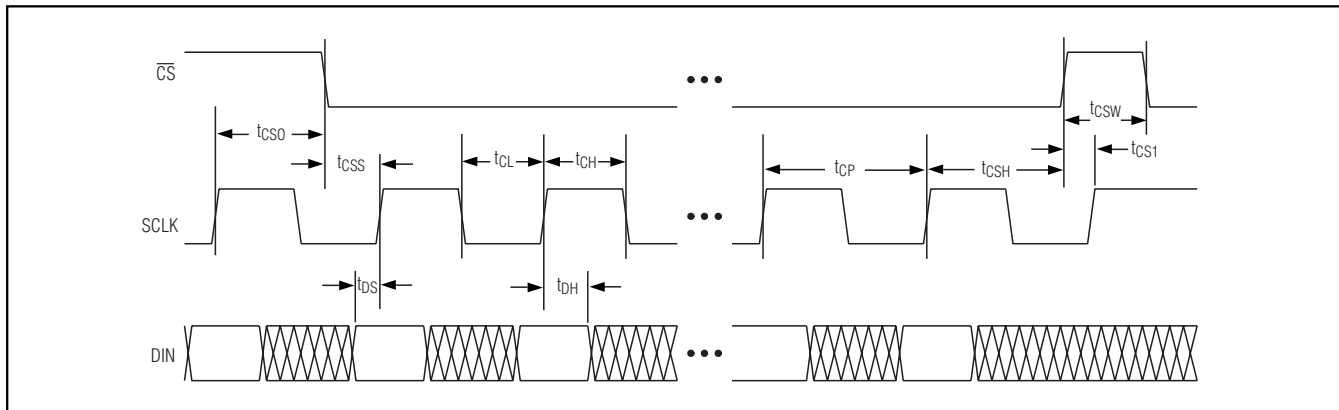


Figure 2. Timing Diagram

### Write-Wiper Register (Command 00)

Data written to the write-wiper registers (C1, C0 = 00) controls the wiper positions. The 8 data bits (D7 to D0) indicate the position of the wiper. For example, if DIN = 0000 0000, the wiper moves to the position closest to L<sub>-</sub>. If DIN = 1111 1111, the wiper moves closest to H<sub>-</sub>.

This command writes data to the volatile RAM, leaving the NV registers unchanged. When the device powers up, the data stored in the NV registers transfers to the volatile wiper register, moving the wiper to the stored position.

### Write-NV Register (Command 01)

This command (C1, C0 = 01) stores the position of the wipers to the NV registers for use at power-up. Alternatively, the “copy wiper register to NV register” command can be used to store the position of the wipers to the NV registers. Writing to the NV registers, does not affect the position of the wipers.

### Copy Wiper Register to NV Register (Command 10)

This command (C1, C0 = 10) stores the current position of the wiper to the NV register, for use at power-up.

# Dual, 256-Tap, Nonvolatile, SPI-Interface, Linear-Taper Digital Potentiometers

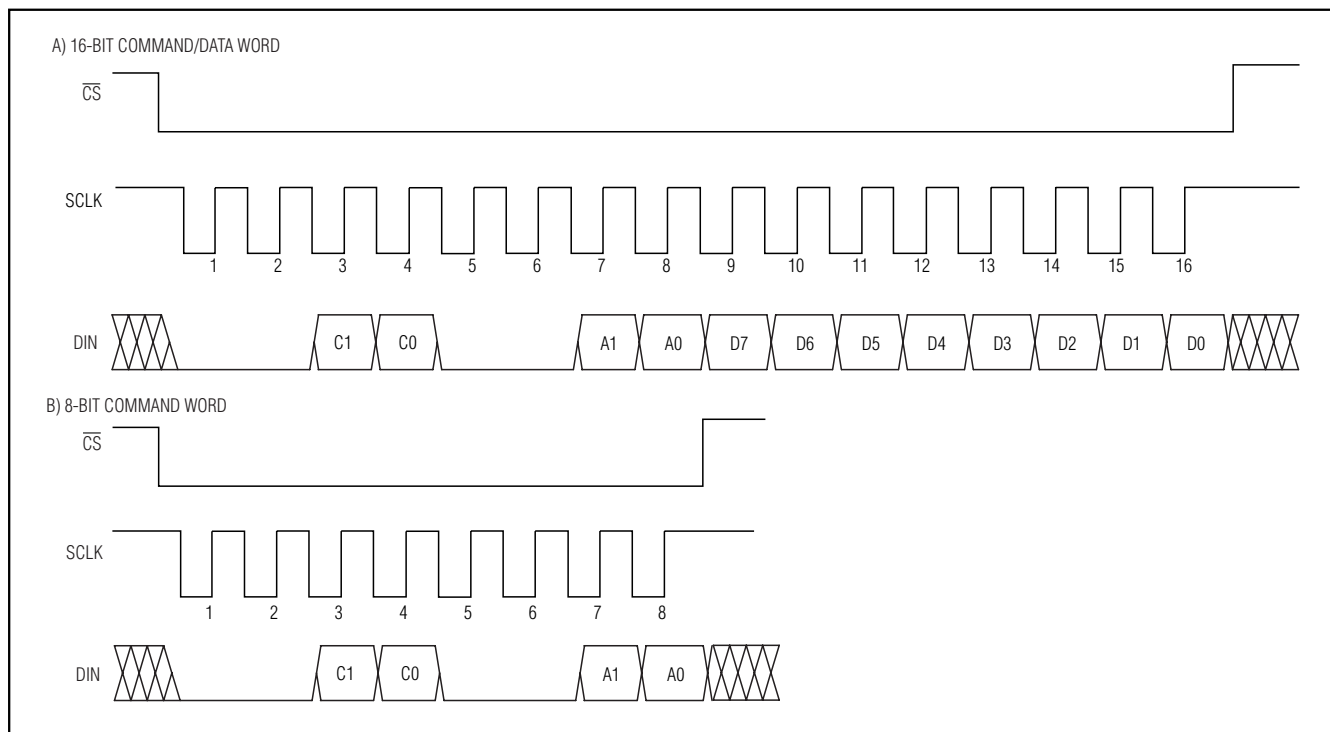


Figure 3. Digital-Interface Format

This command may affect one potentiometer at a time, or both simultaneously, depending on the state of A1 and A0. Alternatively, the “write NV register” command can be used to store the current position of the wiper to the NV register.

### Copy NV Register to Wiper Register (Command 11)

This command (C1, C0 = 11) restores the wiper position to the previously stored position in the NV register. This command may affect one potentiometer at a time, or both simultaneously, depending on the state of A1 and A0.

### Nonvolatile Memory

The internal EEPROM consists of a nonvolatile register that retains the last stored value prior to power-down. The nonvolatile register is programmed to midscale at the factory. The nonvolatile memory is guaranteed for 200,000 wiper write cycles and 50 years for wiper data retention.

### Power-Up

Upon power-up, the MAX5487/MAX5488/MAX5489 load the data stored in the nonvolatile wiper register into the volatile memory register, updating the wiper position with the data stored in the nonvolatile wiper register. This initialization period takes 5 $\mu$ s.

### Standby

The MAX5487/MAX5488/MAX5489 feature a low-power standby mode. When the device is not being programmed, it enters into standby mode and supply current drops to 0.5 $\mu$ A (typ).

## Applications Information

The MAX5487/MAX5488/MAX5489 are ideal for circuits requiring digitally controlled adjustable resistance, such as LCD contrast control (where voltage biasing adjusts the display contrast), or for programmable filters with adjustable gain and/or cutoff frequency.

### Positive LCD Bias Control

Figures 4 and 5 show an application where the MAX5487/MAX5488/MAX5489 provide an adjustable, positive LCD-bias voltage. The op amp provides buffering and gain to the resistor-divider network made by the potentiometer (Figure 4) or by a fixed resistor and a variable resistor (Figure 5).

### Programmable Filter

Figure 6 shows the MAX5487/MAX5488/MAX5489 in a 1st-order programmable-filter application. Adjust the gain of the filter with R<sub>2</sub>, and set the cutoff frequency with R<sub>3</sub>.

# Dual, 256-Tap, Nonvolatile, SPI-Interface, Linear-Taper Digital Potentiometers

MAX5487/MAX5488/MAX5489

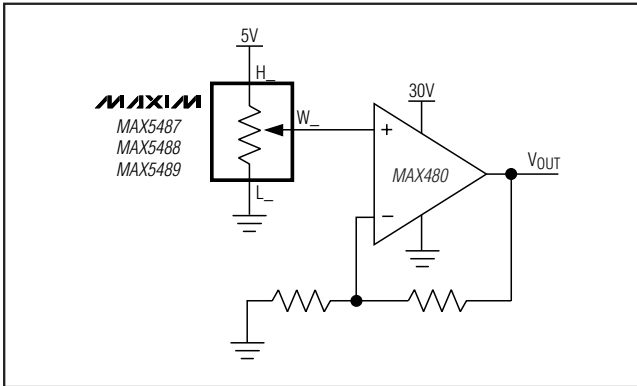


Figure 4. Positive LCD-Bias Control Using a Voltage-Divider

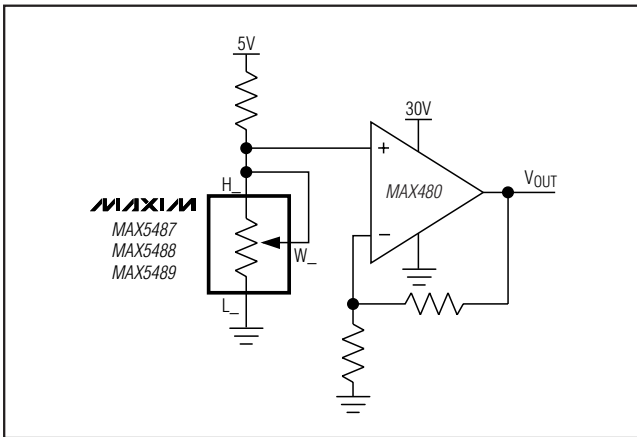


Figure 5. Positive LCD-Bias Control Using a Variable Resistor

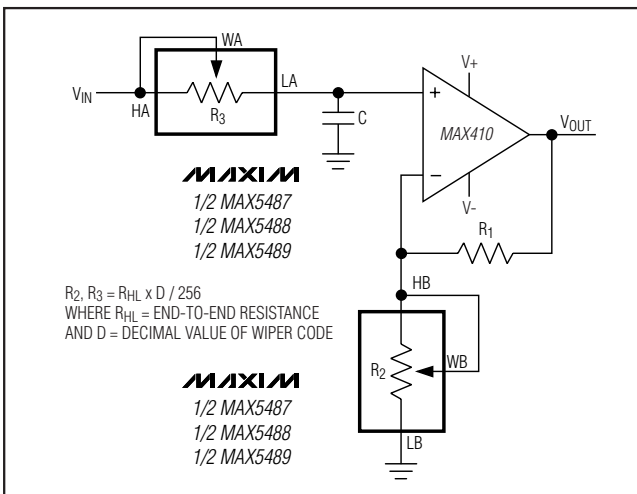


Figure 6. Programmable Filter

Use the following equations to calculate the gain (A) and the -3dB cutoff frequency ( $f_C$ ):

$$A = 1 + \frac{R_1}{R_2}$$

$$f_C = \frac{1}{2\pi \times R_3 \times C}$$

### Adjustable Voltage Reference

Figure 7 shows the MAX5487/MAX5488/MAX5489 used as the feedback resistors in multiple adjustable voltage-reference applications. Independently adjust the output voltages of the MAX6160s from 1.23V to  $V_{IN} - 0.2V$  by changing the wiper positions of the MAX5487/MAX5488/MAX5489.

### Offset Voltage and Gain Adjustment

Connect the high and low terminals of one potentiometer of a MAX5487/MAX5488/MAX5489 to the NULL inputs of a MAX410, and connect the wiper to the op amp's positive supply to nullify the offset voltage over the operating temperature range. Install the other potentiometer in the feedback path to adjust the gain of the MAX410 (see Figure 8).

### Chip Information

TRANSISTOR COUNT: 12,177

PROCESS: BiCMOS

# Dual, 256-Tap, Nonvolatile, SPI-Interface, Linear-Taper Digital Potentiometers

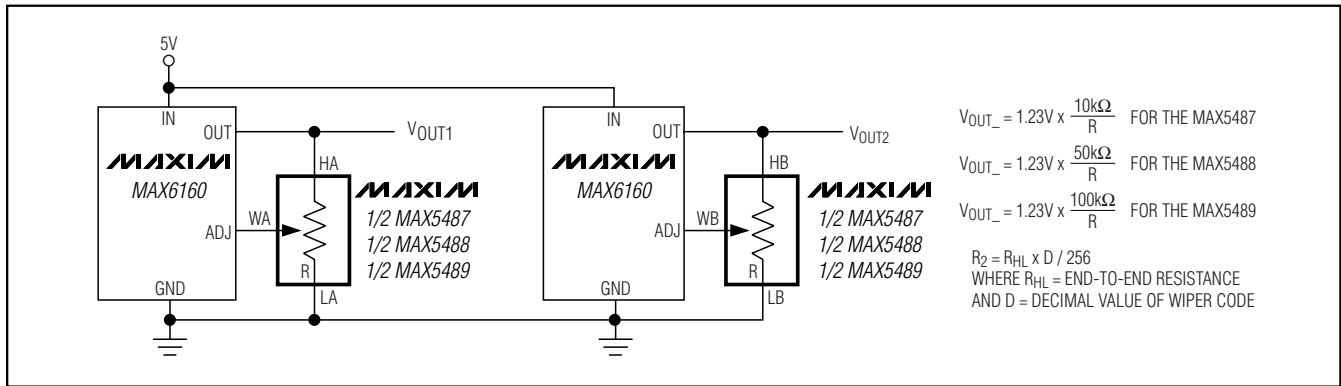


Figure 7. Adjustable Voltage Reference

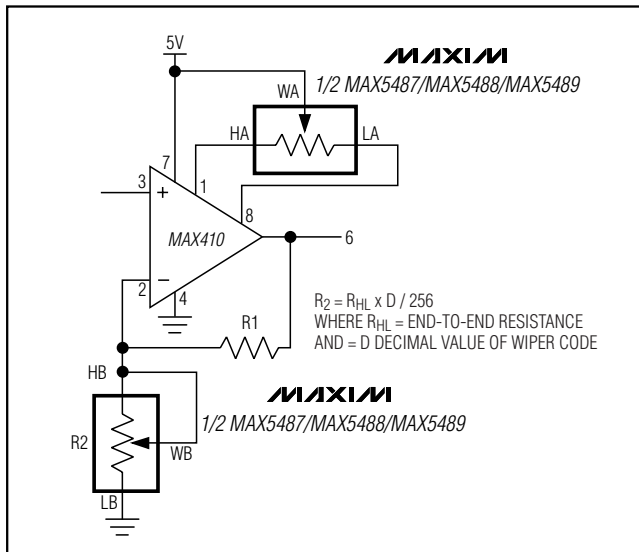


Figure 8. Offset Voltage and Gain Adjustment

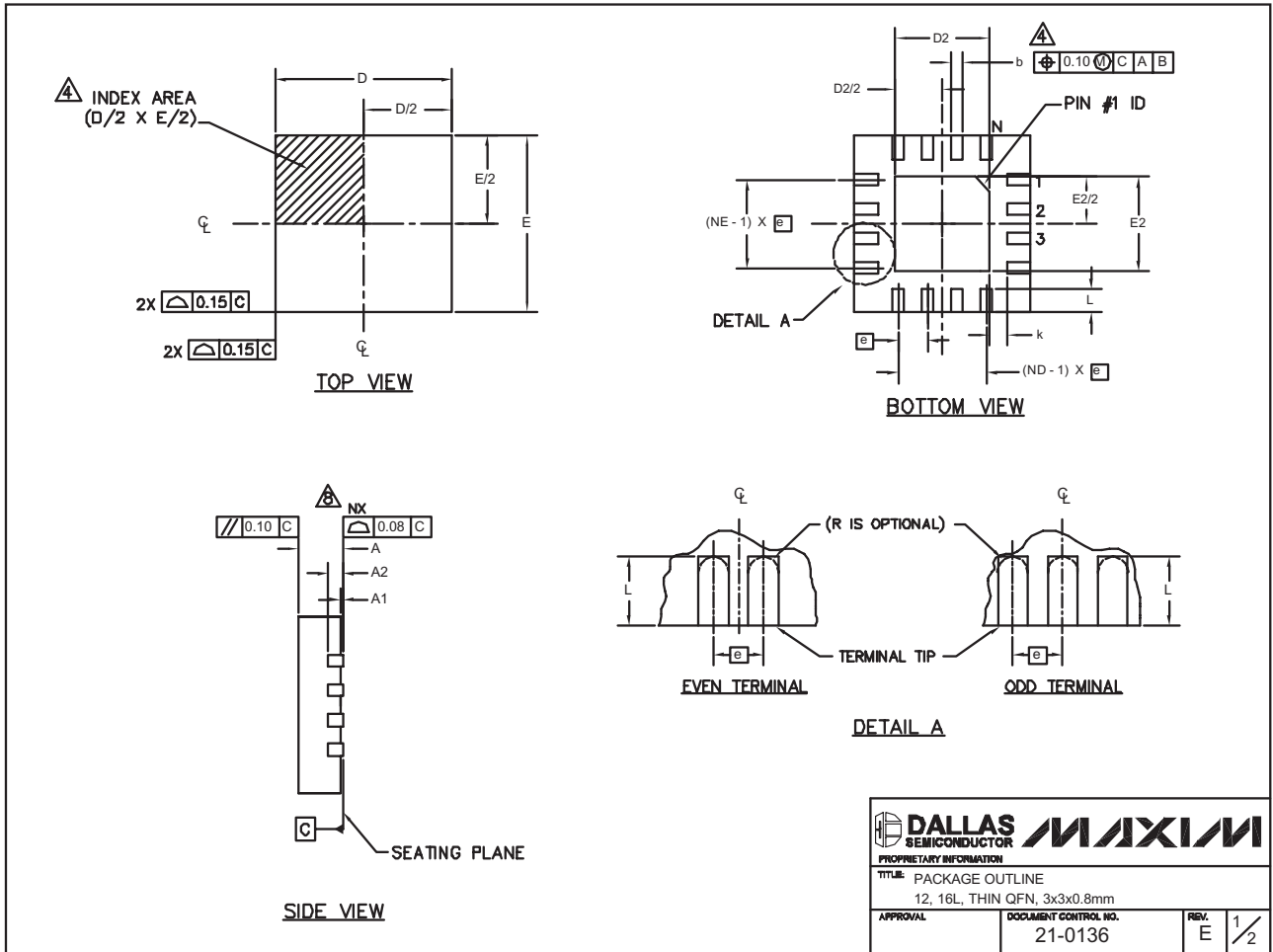
# Dual, 256-Tap, Nonvolatile, SPI-Interface, Linear-Taper Digital Potentiometers

## Package Information

(The package drawing(s) in this data sheet may not reflect the most current specifications. For the latest package outline information, go to [www.maxim-ic.com/packages](http://www.maxim-ic.com/packages).)

MAX5487/MAX5488/MAX5489

12x16L QFN THIN.EPS



# Dual, 256-Tap, Nonvolatile, SPI-Interface, Linear-Taper Digital Potentiometers

## Package Information (continued)

(The package drawing(s) in this data sheet may not reflect the most current specifications. For the latest package outline information, go to [www.maxim-ic.com/packages](http://www.maxim-ic.com/packages).)

PKG REF.	12L 3x3			16L 3x3		
	MIN.	NOM.	MAX.	MIN.	NOM.	MAX.
A	0.70	0.75	0.80	0.70	0.75	0.80
b	0.20	0.26	0.30	0.20	0.26	0.30
D	2.90	3.00	3.10	2.90	3.00	3.10
E	2.90	3.00	3.10	2.90	3.00	3.10
e	0.50 BSC.			0.50 BSC.		
L	0.45	0.55	0.65	0.30	0.40	0.50
N	12			16		
ND	3			4		
NE	3			4		
A1	0	0.02	0.05	0	0.02	0.05
A2	0.20 REF			0.20 REF		
k	0.25	-	-	0.25	-	-

PKG CODES	EXPOSED PAD VARIATIONS						PIN ID	JEDEC	DOWN BONDS ALLOWED
	D2			E2					
	MIN.	NOM.	MAX.	MIN.	NOM.	MAX.			
T1233-1	0.95	1.10	1.25	0.95	1.10	1.25	0.35 x 45°	WEED-1	NO
T1233-3	0.95	1.10	1.25	0.95	1.10	1.25	0.35 x 45°	WEED-1	YES
T1633-1	0.95	1.10	1.25	0.95	1.10	1.25	0.35 x 45°	WEED-2	NO
T1633-2	0.95	1.10	1.25	0.95	1.10	1.25	0.35 x 45°	WEED-2	YES
T1633F-3	0.85	0.80	0.85	0.85	0.80	0.95	0.225 x 45°	WEED-2	N/A
T1633-4	0.95	1.10	1.25	0.95	1.10	1.25	0.35 x 45°	WEED-2	NO

NOTES:

- DIMENSIONING & TOLERANCING CONFORM TO ASME Y14.5M-1994.
- ALL DIMENSIONS ARE IN MILLIMETERS. ANGLES ARE IN DEGREES.
- N IS THE TOTAL NUMBER OF TERMINALS.
- △ THE TERMINAL #1 IDENTIFIER AND TERMINAL NUMBERING CONVENTION SHALL CONFORM TO JESD 95-1 SPP-012. DETAILS OF TERMINAL #1 IDENTIFIER ARE OPTIONAL, BUT MUST BE LOCATED WITHIN THE ZONE INDICATED. THE TERMINAL #1 IDENTIFIER MAY BE EITHER A MOLD OR MARKED FEATURE.
- △ DIMENSION b APPLIES TO METALLIZED TERMINAL AND IS MEASURED BETWEEN 0.20 mm AND 0.25 mm FROM TERMINAL TIP.
- △ ND AND NE REFER TO THE NUMBER OF TERMINALS ON EACH D AND E SIDE RESPECTIVELY.
- DEPOPULATION IS POSSIBLE IN A SYMMETRICAL FASHION.
- △ COPLANARITY APPLIES TO THE EXPOSED HEAT SINK SLUG AS WELL AS THE TERMINALS.
- DRAWING CONFORMS TO JEDEC MO220 REVISION C.

	
<small>PROPRIETARY INFORMATION</small>	
<small>TITLE: PACKAGE OUTLINE 12, 16L, THIN QFN, 3x3x0.8mm</small>	
<small>APPROVAL</small>	<small>DOCUMENT CONTROL NO. 21-0136</small>
<small>REV. E</small>	<small>2/2</small>

Maxim cannot assume responsibility for use of any circuitry other than circuitry entirely embodied in a Maxim product. No circuit patent licenses are implied. Maxim reserves the right to change the circuitry and specifications without notice at any time.

14 **Maxim Integrated Products, 120 San Gabriel Drive, Sunnyvale, CA 94086 408-737-7600**