

# **MC9S12DT256**

## **Device User Guide**

### **V03.03**

**Covers also**

**MC9S12A256, MC9S12DJ256**  
**MC9S12DG256,**

**Original Release Date: 24 March 2003**  
**Revised: 26 July 2003**  
**Motorola, Inc**

Motorola reserves the right to make changes without further notice to any products herein to improve reliability, function or design. Motorola does not assume any liability arising out of the application or use of any product or circuit described herein; neither does it convey any license under its patent rights nor the rights of others. Motorola products are not designed, intended, or authorized for use as components in systems intended for surgical implant into the body, or other applications intended to support or sustain life, or for any other application in which the failure of the Motorola product could create a situation where personal injury or death may occur. Should Buyer purchase or use Motorola products for any such unintended or unauthorized application, Buyer shall indemnify and hold Motorola and its officers, employees, subsidiaries, affiliates, and distributors harmless against all claims, costs, damages, and expenses, and reasonable attorney fees arising out of, directly or indirectly, any claim of personal injury or death associated with such unintended or unauthorized use, even if such claim alleges that Motorola was negligent regarding the design or manufacture of the part.

## Revision History

| Version Number | Revision Date | Effective Date | Author | Description of Changes                                                                                                                                                                                                |
|----------------|---------------|----------------|--------|-----------------------------------------------------------------------------------------------------------------------------------------------------------------------------------------------------------------------|
| V03.00         | 24 March 2003 |                |        | Initial version for Maskset L91N , based on MC9S12DP256B V02.11.                                                                                                                                                      |
| V03.01         | 30 June 2003  |                |        | <ul style="list-style-type: none"> <li>added new HCS12 core documentation</li> <li>added cumulative program/erase cycle limitation to Table A-12 for EEPROM</li> <li>updated Table 0-2 Document References</li> </ul> |
| V03.02         | 24 July 2003  |                |        | <ul style="list-style-type: none"> <li>removed cumulative program/erase cycle limitation from Table A-12 for EEPROM</li> <li>added LRAE generic load and execute info to section 15</li> </ul>                        |
| V03.03         | 26 July 2003  |                |        | <ul style="list-style-type: none"> <li>Added MC9S12DT256 in QFP 80 to Table 0-1</li> </ul>                                                                                                                            |

Motorola reserves the right to make changes without further notice to any products herein to improve reliability, function or design. Motorola does not assume any liability arising out of the application or use of any product or circuit described herein; neither does it convey any license under its patent rights nor the rights of others. Motorola products are not designed, intended, or authorized for use as components in systems intended for surgical implant into the body, or other applications intended to support or sustain life, or for any other application in which the failure of the Motorola product could create a situation where personal injury or death may occur. Should Buyer purchase or use Motorola products for any such unintended or unauthorized application, Buyer shall indemnify and hold Motorola and its officers, employees, subsidiaries, affiliates, and distributors harmless against all claims, costs, damages, and expenses, and reasonable attorney fees arising out of, directly or indirectly, any claim of personal injury or death associated with such unintended or unauthorized use, even if such claim alleges that Motorola was negligent regarding the design or manufacture of the part.





# Table of Contents

## Section 1 Introduction MC9S12DT256

|     |                                 |    |
|-----|---------------------------------|----|
| 1.1 | Overview . . . . .              | 19 |
| 1.2 | Features . . . . .              | 19 |
| 1.3 | Modes of Operation . . . . .    | 21 |
| 1.4 | Block Diagram . . . . .         | 22 |
| 1.5 | Device Memory Map . . . . .     | 24 |
| 1.6 | Detailed Register Map . . . . . | 27 |
| 1.7 | Part ID Assignments . . . . .   | 50 |

## Section 2 Signal Description

|        |                                                                          |    |
|--------|--------------------------------------------------------------------------|----|
| 2.1    | Device Pinout . . . . .                                                  | 51 |
| 2.2    | Signal Properties Summary . . . . .                                      | 53 |
| 2.3    | Detailed Signal Descriptions . . . . .                                   | 56 |
| 2.3.1  | EXTAL, XTAL — Oscillator Pins . . . . .                                  | 56 |
| 2.3.2  | RESET — External Reset Pin . . . . .                                     | 56 |
| 2.3.3  | TEST — Test Pin . . . . .                                                | 57 |
| 2.3.4  | VREGEN — Voltage Regulator Enable Pin . . . . .                          | 57 |
| 2.3.5  | XFC — PLL Loop Filter Pin . . . . .                                      | 57 |
| 2.3.6  | BKGD / TAGHI / MODC — Background Debug, Tag High, and Mode Pin . . . . . | 57 |
| 2.3.7  | PAD15 / AN15 / ETRIG1 — Port AD Input Pin of ATD1 . . . . .              | 57 |
| 2.3.8  | PAD[14:08] / AN[14:08] — Port AD Input Pins of ATD1 . . . . .            | 57 |
| 2.3.9  | PAD7 / AN07 / ETRIG0 — Port AD Input Pin of ATD0 . . . . .               | 58 |
| 2.3.10 | PAD[06:00] / AN[06:00] — Port AD Input Pins of ATD0 . . . . .            | 58 |
| 2.3.11 | PA[7:0] / ADDR[15:8] / DATA[15:8] — Port A I/O Pins . . . . .            | 58 |
| 2.3.12 | PB[7:0] / ADDR[7:0] / DATA[7:0] — Port B I/O Pins . . . . .              | 58 |
| 2.3.13 | PE7 / NOACC / XCLKS — Port E I/O Pin 7 . . . . .                         | 58 |
| 2.3.14 | PE6 / MODB / IPIPE1 — Port E I/O Pin 6 . . . . .                         | 60 |
| 2.3.15 | PE5 / MODA / IPIPE0 — Port E I/O Pin 5 . . . . .                         | 60 |
| 2.3.16 | PE4 / ECLK — Port E I/O Pin 4 . . . . .                                  | 60 |
| 2.3.17 | PE3 / LSTRB / TAGLO — Port E I/O Pin 3 . . . . .                         | 60 |
| 2.3.18 | PE2 / R/W — Port E I/O Pin 2 . . . . .                                   | 61 |
| 2.3.19 | PE1 / IRQ — Port E Input Pin 1 . . . . .                                 | 61 |
| 2.3.20 | PE0 / XIRQ — Port E Input Pin 0 . . . . .                                | 61 |

|        |                                                  |    |
|--------|--------------------------------------------------|----|
| 2.3.21 | PH7 / KWH7 / SS2 — Port H I/O Pin 7              | 61 |
| 2.3.22 | PH6 / KWH6 / SCK2 — Port H I/O Pin 6             | 61 |
| 2.3.23 | PH5 / KWH5 / MOSI2 — Port H I/O Pin 5            | 61 |
| 2.3.24 | PH4 / KWH4 / MISO2 — Port H I/O Pin 2            | 61 |
| 2.3.25 | PH3 / KWH3 / SS1 — Port H I/O Pin 3              | 61 |
| 2.3.26 | PH2 / KWH2 / SCK1 — Port H I/O Pin 2             | 62 |
| 2.3.27 | PH1 / KWH1 / MOSI1 — Port H I/O Pin 1            | 62 |
| 2.3.28 | PH0 / KWH0 / MISO1 — Port H I/O Pin 0            | 62 |
| 2.3.29 | PJ7 / KWJ7 / TXCAN4 / SCL — PORT J I/O Pin 7     | 62 |
| 2.3.30 | PJ6 / KWJ6 / RXCAN4 / SDA — PORT J I/O Pin 6     | 62 |
| 2.3.31 | PJ[1:0] / KWJ[1:0] — Port J I/O Pins [1:0]       | 62 |
| 2.3.32 | PK7 / ECS / ROMONE — Port K I/O Pin 7            | 62 |
| 2.3.33 | PK[5:0] / XADDR[19:14] — Port K I/O Pins [5:0]   | 63 |
| 2.3.34 | PM7 / TXCAN4 — Port M I/O Pin 7                  | 63 |
| 2.3.35 | PM6 / RXCAN4 — Port M I/O Pin 6                  | 63 |
| 2.3.36 | PM5 / TXCAN0 / TXCAN4 / SCK0 — Port M I/O Pin 5  | 63 |
| 2.3.37 | PM4 / RXCAN0 / RXCAN4 / MOSI0 — Port M I/O Pin 4 | 63 |
| 2.3.38 | PM3 / TXCAN1 / TXCAN0 / SS0 — Port M I/O Pin 3   | 63 |
| 2.3.39 | PM2 / RXCAN1 / RXCAN0 / MISO0 — Port M I/O Pin 2 | 63 |
| 2.3.40 | PM1 / TXCAN0 / TXB — Port M I/O Pin 1            | 64 |
| 2.3.41 | PM0 / RXCAN0 / RXB — Port M I/O Pin 0            | 64 |
| 2.3.42 | PP7 / KWP7 / PWM7 / SCK2 — Port P I/O Pin 7      | 64 |
| 2.3.43 | PP6 / KWP6 / PWM6 / SS2 — Port P I/O Pin 6       | 64 |
| 2.3.44 | PP5 / KWP5 / PWM5 / MOSI2 — Port P I/O Pin 5     | 64 |
| 2.3.45 | PP4 / KWP4 / PWM4 / MISO2 — Port P I/O Pin 4     | 64 |
| 2.3.46 | PP3 / KWP3 / PWM3 / SS1 — Port P I/O Pin 3       | 64 |
| 2.3.47 | PP2 / KWP2 / PWM2 / SCK1 — Port P I/O Pin 2      | 65 |
| 2.3.48 | PP1 / KWP1 / PWM1 / MOSI1 — Port P I/O Pin 1     | 65 |
| 2.3.49 | PP0 / KWP0 / PWM0 / MISO1 — Port P I/O Pin 0     | 65 |
| 2.3.50 | PS7 / SS0 — Port S I/O Pin 7                     | 65 |
| 2.3.51 | PS6 / SCK0 — Port S I/O Pin 6                    | 65 |
| 2.3.52 | PS5 / MOSI0 — Port S I/O Pin 5                   | 65 |
| 2.3.53 | PS4 / MISO0 — Port S I/O Pin 4                   | 65 |
| 2.3.54 | PS3 / TXD1 — Port S I/O Pin 3                    | 65 |
| 2.3.55 | PS2 / RXD1 — Port S I/O Pin 2                    | 66 |
| 2.3.56 | PS1 / TXD0 — Port S I/O Pin 1                    | 66 |

|        |                                                                                         |    |
|--------|-----------------------------------------------------------------------------------------|----|
| 2.3.57 | PS0 / RXD0 — Port S I/O Pin 0 . . . . .                                                 | 66 |
| 2.3.58 | PT[7:0] / IOC[7:0] — Port T I/O Pins [7:0] . . . . .                                    | 66 |
| 2.4    | Power Supply Pins . . . . .                                                             | 66 |
| 2.4.1  | VDDX,VSSX — Power & Ground Pins for I/O Drivers . . . . .                               | 66 |
| 2.4.2  | VDDR, VSSR — Power & Ground Pins for I/O Drivers & for Internal Voltage Regulator<br>66 | 66 |
| 2.4.3  | VDD1, VDD2, VSS1, VSS2 — Core Power Pins . . . . .                                      | 67 |
| 2.4.4  | VDDA, VSSA — Power Supply Pins for ATD and VREG . . . . .                               | 67 |
| 2.4.5  | VRH, VRL — ATD Reference Voltage Input Pins . . . . .                                   | 67 |
| 2.4.6  | VDDPLL, VSSPLL — Power Supply Pins for PLL . . . . .                                    | 67 |
| 2.4.7  | VREGEN — On Chip Voltage Regulator Enable . . . . .                                     | 68 |

### Section 3 System Clock Description

|     |                   |    |
|-----|-------------------|----|
| 3.1 | Overview. . . . . | 69 |
|-----|-------------------|----|

### Section 4 Modes of Operation

|       |                                                    |    |
|-------|----------------------------------------------------|----|
| 4.1   | Overview. . . . .                                  | 71 |
| 4.2   | Chip Configuration Summary . . . . .               | 71 |
| 4.3   | Security. . . . .                                  | 72 |
| 4.3.1 | Securing the Microcontroller . . . . .             | 72 |
| 4.3.2 | Operation of the Secured Microcontroller . . . . . | 72 |
| 4.3.3 | Unsecuring the Microcontroller . . . . .           | 73 |
| 4.4   | Low Power Modes . . . . .                          | 73 |
| 4.4.1 | Stop . . . . .                                     | 73 |
| 4.4.2 | Pseudo Stop. . . . .                               | 73 |
| 4.4.3 | Wait . . . . .                                     | 73 |
| 4.4.4 | Run. . . . .                                       | 74 |

### Section 5 Resets and Interrupts

|       |                            |    |
|-------|----------------------------|----|
| 5.1   | Overview. . . . .          | 75 |
| 5.2   | Vectors . . . . .          | 75 |
| 5.2.1 | Vector Table. . . . .      | 75 |
| 5.3   | Effects of Reset . . . . . | 77 |
| 5.3.1 | I/O pins. . . . .          | 77 |
| 5.3.2 | Memory . . . . .           | 77 |

### Section 6 HCS12 Core Block Description

6.1 CPU12 Block Description . . . . .79

6.2 HCS12 Module Mapping Control (MMC) Block Description . . . . .79

6.2.1 Device specific information . . . . .79

6.3 HCS12 Multiplexed External Bus Interface (MEBI) Block Description . . . . .79

6.3.1 Device specific information . . . . .79

6.4 HCS12 Interrupt (INT) Block description . . . . .79

6.5 HCS12 Background Debug (BDM) Block Description . . . . .79

6.6 HCS12 Breakpoint (BKP) Block Description . . . . .80

**Section 7 Clock and Reset Generator (CRG) Block Description**

7.1 Device-specific information. . . . .80

7.1.1 XCLKS . . . . .80

**Section 8 Enhanced Capture Timer (ECT) Block Description**

**Section 9 Analog to Digital Converter (ATD) Block Description**

**Section 10 Inter-IC Bus (IIC) Block Description**

**Section 11 Serial Communications Interface (SCI) Block Description**

**Section 12 Serial Peripheral Interface (SPI) Block Description**

**Section 13 J1850 (BDLC) Block Description**

**Section 14 Pulse Width Modulator (PWM) Block Description**

**Section 15 Flash EEPROM 256K Block Description**

**Section 16 EEPROM 4K Block Description**

**Section 17 RAM Block Description**

**Section 18 MSCAN Block Description**

**Section 19 Port Integration Module (PIM) Block Description**

**Section 20 Voltage Regulator (VREG) Block Description**

Freescale Semiconductor, Inc.



## Appendix A Electrical Characteristics

|        |                                               |     |
|--------|-----------------------------------------------|-----|
| A.1    | General                                       | 89  |
| A.1.1  | Parameter Classification                      | 89  |
| A.1.2  | Power Supply                                  | 89  |
| A.1.3  | Pins                                          | 90  |
| A.1.4  | Current Injection                             | 91  |
| A.1.5  | Absolute Maximum Ratings                      | 91  |
| A.1.6  | ESD Protection and Latch-up Immunity          | 92  |
| A.1.7  | Operating Conditions                          | 93  |
| A.1.8  | Power Dissipation and Thermal Characteristics | 93  |
| A.1.9  | I/O Characteristics                           | 95  |
| A.1.10 | Supply Currents                               | 97  |
| A.2    | ATD Characteristics                           | 99  |
| A.2.1  | ATD Operating Characteristics                 | 99  |
| A.2.2  | Factors influencing accuracy                  | 99  |
| A.2.3  | ATD accuracy                                  | 101 |
| A.3    | NVM, Flash and EEPROM                         | 103 |
| A.3.1  | NVM timing                                    | 103 |
| A.3.2  | NVM Reliability                               | 105 |
| A.4    | Voltage Regulator                             | 107 |
| A.5    | Reset, Oscillator and PLL                     | 109 |
| A.5.1  | Startup                                       | 109 |
| A.5.2  | Oscillator                                    | 110 |
| A.5.3  | Phase Locked Loop                             | 111 |
| A.6    | MSCAN                                         | 115 |
| A.7    | SPI                                           | 117 |
| A.7.1  | Master Mode                                   | 117 |
| A.7.2  | Slave Mode                                    | 119 |
| A.8    | External Bus Timing                           | 121 |
| A.8.1  | General Muxed Bus Timing                      | 121 |

## Appendix B Package Information

|     |                      |     |
|-----|----------------------|-----|
| B.1 | General              | 125 |
| B.2 | 112-pin LQFP package | 126 |
| B.3 | 80-pin QFP package   | 127 |



## List of Figures

|             |                                                                  |     |
|-------------|------------------------------------------------------------------|-----|
| Figure 0-1  | Order Partnumber Example . . . . .                               | 15  |
| Figure 1-1  | MC9S12DT256 Block Diagram . . . . .                              | 23  |
| Figure 1-2  | MC9S12DT256 Memory Map . . . . .                                 | 26  |
| Figure 2-1  | Pin Assignments in 112-pin LQFP. . . . .                         | 52  |
| Figure 2-2  | Pin Assignments in 80-pin QFP for MC9S12DJ256 . . . . .          | 53  |
| Figure 2-3  | PLL Loop Filter Connections . . . . .                            | 57  |
| Figure 2-4  | Colpitts Oscillator Connections (PE7=1) . . . . .                | 59  |
| Figure 2-5  | Pierce Oscillator Connections (PE7=0) . . . . .                  | 59  |
| Figure 2-6  | External Clock Connections (PE7=0) . . . . .                     | 60  |
| Figure 3-1  | Clock Connections. . . . .                                       | 69  |
| Figure 20-1 | Recommended PCB Layout for 112LQFP Colpitts Oscillator . . . . . | 84  |
| Figure 20-2 | Recommended PCB Layout for 80QFP Colpitts Oscillator . . . . .   | 85  |
| Figure 20-3 | Recommended PCB Layout for 112LQFP Pierce Oscillator . . . . .   | 86  |
| Figure 20-4 | Recommended PCB Layout for 80QFP Pierce Oscillator . . . . .     | 87  |
| Figure A-1  | ATD Accuracy Definitions . . . . .                               | 102 |
| Figure A-2  | Basic PLL functional diagram . . . . .                           | 111 |
| Figure A-3  | Jitter Definitions . . . . .                                     | 113 |
| Figure A-4  | Maximum bus clock jitter approximation . . . . .                 | 113 |
| Figure A-5  | SPI Master Timing (CPHA=0) . . . . .                             | 117 |
| Figure A-6  | SPI Master Timing (CPHA=1) . . . . .                             | 118 |
| Figure A-7  | SPI Slave Timing (CPHA=0) . . . . .                              | 119 |
| Figure A-8  | SPI Slave Timing (CPHA=1) . . . . .                              | 120 |
| Figure A-9  | General External Bus Timing. . . . .                             | 122 |
| Figure B-1  | 112-pin LQFP mechanical dimensions (case no. 987) . . . . .      | 126 |
| Figure B-2  | 80-pin QFP Mechanical Dimensions (case no. 841B). . . . .        | 127 |



## List of Tables

|            |                                                                       |     |
|------------|-----------------------------------------------------------------------|-----|
| Table 0-1  | Derivative Differences . . . . .                                      | 15  |
| Table 0-2  | Document References . . . . .                                         | 17  |
| Table 0-3  | Specification Change Summary for Maskset L91N . . . . .               | 17  |
| Table 1-1  | Device Memory Map . . . . .                                           | 24  |
| Table 1-2  | Detailed MSCAN Foreground Receive and Transmit Buffer Layout. . . . . | 43  |
| Table 1-3  | Assigned Part ID Numbers . . . . .                                    | 50  |
| Table 1-4  | Memory size registers . . . . .                                       | 50  |
| Table 2-1  | Signal Properties . . . . .                                           | 53  |
| Table 2-2  | MC9S12DP256 Power and Ground Connection Summary . . . . .             | 67  |
| Table 4-1  | Mode Selection . . . . .                                              | 71  |
| Table 4-2  | Clock Selection Based on PE7 . . . . .                                | 71  |
| Table 4-3  | Voltage Regulator VREGEN . . . . .                                    | 72  |
| Table 5-1  | Interrupt Vector Locations . . . . .                                  | 75  |
| Table A-1  | Absolute Maximum Ratings . . . . .                                    | 91  |
| Table A-2  | ESD and Latch-up Test Conditions . . . . .                            | 92  |
| Table A-3  | ESD and Latch-Up Protection Characteristics . . . . .                 | 92  |
| Table A-4  | Operating Conditions . . . . .                                        | 93  |
| Table A-5  | Thermal Package Characteristics . . . . .                             | 95  |
| Table A-6  | 5V I/O Characteristics . . . . .                                      | 96  |
| Table A-7  | Supply Current Characteristics . . . . .                              | 98  |
| Table A-8  | ATD Operating Characteristics . . . . .                               | 99  |
| Table A-9  | ATD Electrical Characteristics . . . . .                              | 100 |
| Table A-10 | ATD Conversion Performance . . . . .                                  | 101 |
| Table A-11 | NVM Timing Characteristics . . . . .                                  | 104 |
| Table A-12 | NVM Reliability Characteristics . . . . .                             | 105 |
| Table A-13 | Voltage Regulator Recommended Load Capacitances . . . . .             | 107 |
| Table A-14 | Startup Characteristics . . . . .                                     | 109 |
| Table A-15 | Oscillator Characteristics . . . . .                                  | 110 |
| Table A-16 | PLL Characteristics . . . . .                                         | 114 |
| Table A-17 | MSCAN Wake-up Pulse Characteristics . . . . .                         | 115 |
| Table A-18 | Measurement Conditions . . . . .                                      | 117 |
| Table A-19 | SPI Master Mode Timing Characteristics . . . . .                      | 118 |
| Table A-20 | SPI Slave Mode Timing Characteristics . . . . .                       | 120 |

Table A-21 Expanded Bus Timing Characteristics .....123

# Derivative Differences and Document References

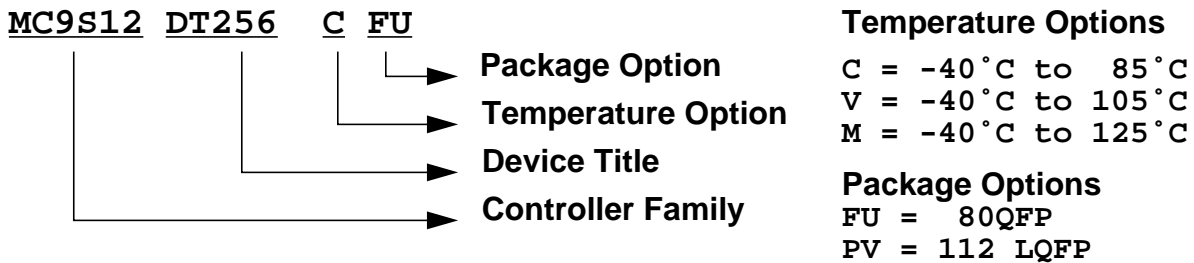
## Derivative Differences

**Table 0-1** shows the availability of peripheral modules on the various derivatives. For details about the compatibility within the MC9S12D-Family refer also to engineering bulletin EB386.

**Table 0-1 Derivative Differences**

| Generic device | MC9S12A256                            | MC9S12DT256                           | MC9S12DJ256                           | MC9S12DG256                           |
|----------------|---------------------------------------|---------------------------------------|---------------------------------------|---------------------------------------|
| # of CANs      | 0                                     | 3                                     | 2                                     | 2                                     |
| CAN0           | —                                     | ✓                                     | ✓                                     | ✓                                     |
| CAN1           | —                                     | ✓                                     | —                                     | —                                     |
| CAN4           | —                                     | ✓                                     | ✓                                     | ✓                                     |
| J1850/BDLC     | —                                     | —                                     | ✓                                     | —                                     |
| Package        | 112 LQFP/80 QFP                       | 112 LQFP/80 QFP                       | 112 LQFP/80 QFP                       | 112 LQFP/80 QFP                       |
| Mask set       | L91N                                  | L91N                                  | L91N                                  | L91N                                  |
| Temp Options   | C                                     | M, V, C                               | M, V, C                               | M, V, C                               |
| Package Code   | PV/FU                                 | PV/FU                                 | PV/FU                                 | PV/FU                                 |
| Notes          | An errata exists contact Sales Office | An errata exists contact Sales Office | An errata exists contact Sales Office | An errata exists contact Sales Office |

The following figure provides an ordering number example for the MC9S12H-Family devices.



**Figure 0-1 Order Partnumber Example**

The following items should be considered when using a derivative (**Table 0-1**):

- **Registers**
  - Do not write or read CAN0 registers (after reset: address range \$0140 - \$017F), if using a derivative without CAN0.
  - Do not write or read CAN1 registers (after reset: address range \$0180 - \$01BF), if using a derivative without CAN1.
  - Do not write or read CAN4 registers (after reset: address range \$0280 - \$02BF), if using a derivative without CAN4.
  - Do not write or read BDLC registers (after reset: address range \$00E8 - \$00EF), if using a derivative without BDLC.
- **Interrupts**
  - Fill the four CAN0 interrupt vectors (\$FFB0 - \$FFB7) according to your coding policies for unused interrupts, if using a derivative without CAN0.
  - Fill the four CAN1 interrupt vectors (\$FFA8 - \$FFAF) according to your coding policies for unused interrupts, if using a derivative without CAN1.
  - Fill the four CAN4 interrupt vectors (\$FF90 - \$FF97) according to your coding policies for unused interrupts, if using a derivative without CAN4.
  - Fill the BDLC interrupt vector (\$FFC2, \$FFC3) according to your coding policies for unused interrupts, if using a derivative without BDLC.
- **Ports**
  - The CAN0 pin functionality (TXCAN0, RXCAN0) is not available on port PJ7, PJ6, PM5, PM4, PM3, PM2, PM1 and PM0, if using a derivative without CAN0.
  - The CAN1 pin functionality (TXCAN1, RXCAN1) is not available on port PM3 and PM2, if using a derivative without CAN1.
  - The CAN4 pin functionality (TXCAN4, RXCAN4) is not available on port PJ7, PJ6, PM5, PM7, PM6, PM5 and PM4, if using a derivative without CAN0.
  - The BDLC pin functionality (TXB, RXB) is not available on port PM1 and PM0, if using a derivative without BDLC.
  - Do not write MODRR1 and MODRR0 bits of Module Routing Register (PIM\_9DP256 Block Guide), if using a derivative without CAN0.
  - Do not write MODRR3 and MODRR2 bits of Module Routing Register (PIM\_9DP256 Block Guide), if using a derivative without CAN4.

## Document References



The Device Guide provides information about the MC9S12DT256 device made up of standard HCS12 blocks and the HCS12 processor core.

This document is part of the customer documentation. A complete set of device manuals also includes the HCS12 Core User Guide and all the individual Block Guides of the implemented modules. In an effort to reduce redundancy all module specific information is located only in the respective Block Guide. If applicable, special implementation details of the module are given in the block description sections of this document.

See **Table 0-2** for names and versions of the referenced documents throughout the Device User Guide.

**Table 0-2 Document References**

| User Guide                                                                 | Version | Document Order Number |
|----------------------------------------------------------------------------|---------|-----------------------|
| CPU12 Reference Manual                                                     | V04     | CPU12RM/AD            |
| HCS12 Multiplexed External Bus Interface (MEBI) Block Guide                | V03     | S12MEBIV3/D           |
| HCS12 Module Mapping Control (MMC) Block Guide                             | V04     | S12MMCV4/D            |
| HCS12 Interrupt (INT) Block Guide                                          | V01     | S12INTV1/D            |
| HCS12 Background Debug (BDM) Block Guide                                   | V04     | S12BDMV4/D            |
| HCS12 Breakpoint (BKP) Block Guide                                         | V01     | S12BKPV1/D            |
| Clock and Reset Generator (CRG) Block User Guide                           | V04     | S12CRGV4/D            |
| Enhanced Capture Timer (ECT_16B8C) Block User Guide                        | V01     | S12ECT16B8CV1/D       |
| Analog to Digital Converter 10 Bit 8 Channels (ATD_10B8C) Block User Guide | V02     | S12ATD10B8CV2/D       |
| Inter IC Bus (IIC) Block User Guide                                        | V02     | S12IICV2/D            |
| Asynchronous Serial Interface (SCI) Block User Guide                       | V02     | S12SCIV2/D            |
| Serial Peripheral Interface (SPI) Block User Guide                         | V03     | S12SPIV3/D            |
| Pulse Width Modulator 8 Bit 8 Channel (PWM_8B8C) Block User Guide          | V01     | S12PWM8B8CV1/D        |
| 256 K Byte Flash (FTS256K) Block User Guide                                | V03     | S12FTS256KV3/D        |
| 4K Byte EEPROM (EETS4K) Block User Guide                                   | V02     | S12EETS4KV2/D         |
| Byte Level Data Link Controller -J1850 (BDLC) Block User Guide             | V01     | S12BDLCV1/D           |
| Motorola Scalable CAN (MSCAN) Block User Guide                             | V02     | S12MSCANV2/D          |
| Voltage Regulator (VREG) Block User Guide                                  | V01     | S12VREGV1/D           |
| Port Integration Module (PIM_9DP256) Block User Guide                      | V03     | S12PIM9DP256V3/D      |
| Oscillator (OSC) Block Guide                                               | V02     | S12OSCV2/D            |

**Table 0-3** shows the Specification Change Summary for Maskset L91N.

**Table 0-3 Specification Change Summary for Maskset L91N**

| Block      | Spec Change                                                                                                            |
|------------|------------------------------------------------------------------------------------------------------------------------|
| MCU_9DT256 | removed CAN2 and CAN3                                                                                                  |
| HCS12 V1.5 | The Background Debug Module includes an Acknowledge Protocol (two additional hardware commands ACK_ENABLE/ACK_DISABLE) |
| HCS12 V1.5 | The state of PK7/ROMCTL is latched into ROMON Bit during RESET into Emulation Mode or Normal Expanded Mode             |
| CRG        | Maskset includes an additional Pierce Oscillator                                                                       |

**Table 0-3 Specification Change Summary for Maskset L91N**

| <b>Block</b>   | <b>Spec Change</b>                                  |
|----------------|-----------------------------------------------------|
| EETS4K/FTS256K | Reliability Specification for Non Volatile Memories |
| PIM_9DP256     | CAN0 can be routed to PORTJ                         |

# User Guide End Sheet

**Freescale Semiconductor, Inc.**

**FINAL PAGE OF  
130  
PAGES**

# Section 1 IntroductionMC9S12DT256

## 1.1 Overview

The MC9S12DT256 microcontroller unit (MCU) is a 16-bit device composed of standard on-chip peripherals including a 16-bit central processing unit (HCS12 CPU), 256K bytes of Flash EEPROM, 12K bytes of RAM, 4K bytes of EEPROM, two asynchronous serial communications interfaces (SCI), three serial peripheral interfaces (SPI), an 8-channel IC/OC enhanced capture timer, two 8-channel, 10-bit analog-to-digital converters (ADC), an 8-channel pulse-width modulator (PWM), a digital Byte Data Link Controller (BDLC), 29 discrete digital I/O channels (Port A, Port B, Port K and Port E), 20 discrete digital I/O lines with interrupt and wakeup capability, three CAN 2.0 A, B software compatible modules (MSCAN12), and an Inter-IC Bus. The MC9S12DT256 has full 16-bit data paths throughout. However, the external bus can operate in an 8-bit narrow mode so single 8-bit wide memory can be interfaced for lower cost systems. The inclusion of a PLL circuit allows power consumption and performance to be adjusted to suit operational requirements.

## 1.2 Features

- HCS12 Core
  - 16-bit HCS12 CPU
    - i. Upward compatible with M68HC11 instruction set
    - ii. Interrupt stacking and programmer's model identical to M68HC11
    - iii. Instruction queue
    - iv. Enhanced indexed addressing
  - MEBI (Multiplexed External Bus Interface)
  - MMC (Module Mapping Control)
  - INT (Interrupt control)
  - BKP (Breakpoints)
  - BDM (Background Debug Mode)
- CRG
  - Low current Colpitts or Pierce oscillator
  - PLL
  - COP watchdog
  - Real time interrupt
  - Clock Monitor
- 8-bit and 4-bit ports with interrupt functionality
  - Digital filtering

- Programmable rising or falling edge trigger
- Memory
  - 256K Flash EEPROM
  - 4K byte EEPROM
  - 12K byte RAM
- Two 8-channel Analog-to-Digital Converters
  - 10-bit resolution
  - External conversion trigger capability
- Three 1M bit per second, CAN 2.0 A, B software compatible modules
  - Five receive and three transmit buffers
  - Flexible identifier filter programmable as 2 x 32 bit, 4 x 16 bit or 8 x 8 bit
  - Four separate interrupt channels for Rx, Tx, error and wake-up
  - Low-pass filter wake-up function
  - Loop-back for self test operation
- Enhanced Capture Timer
  - 16-bit main counter with 7-bit prescaler
  - 8 programmable input capture or output compare channels
  - Four 8-bit or two 16-bit pulse accumulators
- 8 PWM channels
  - Programmable period and duty cycle
  - 8-bit 8-channel or 16-bit 4-channel
  - Separate control for each pulse width and duty cycle
  - Center-aligned or left-aligned outputs
  - Programmable clock select logic with a wide range of frequencies
  - Fast emergency shutdown input
  - Usable as interrupt inputs
- Serial interfaces
  - Two asynchronous Serial Communications Interfaces (SCI)
  - Three Synchronous Serial Peripheral Interface (SPI)
- Byte Data Link Controller (BDLC)
  - SAE J1850 Class B Data Communications Network Interface Compatible and ISO Compatible for Low-Speed (<125 Kbps) Serial Data Communications in Automotive Applications
- Inter-IC Bus (IIC)

- Compatible with I2C Bus standard
- Multi-master operation
- Software programmable for one of 256 different serial clock frequencies
- 112-Pin LQFP package
  - I/O lines with 5V input and drive capability
  - 5V A/D converter inputs
  - Operation at 50MHz equivalent to 25MHz Bus Speed
  - Development support
  - Single-wire background debug™ mode (BDM)
  - On-chip hardware breakpoints

## 1.3 Modes of Operation

### User modes

- Normal and Emulation Operating Modes
  - Normal Single-Chip Mode
  - Normal Expanded Wide Mode
  - Normal Expanded Narrow Mode
  - Emulation Expanded Wide Mode
  - Emulation Expanded Narrow Mode
- Special Operating Modes
  - Special Single-Chip Mode with active Background Debug Mode
  - Special Test Mode (**Motorola use only**)
  - Special Peripheral Mode (**Motorola use only**)

### Low power modes

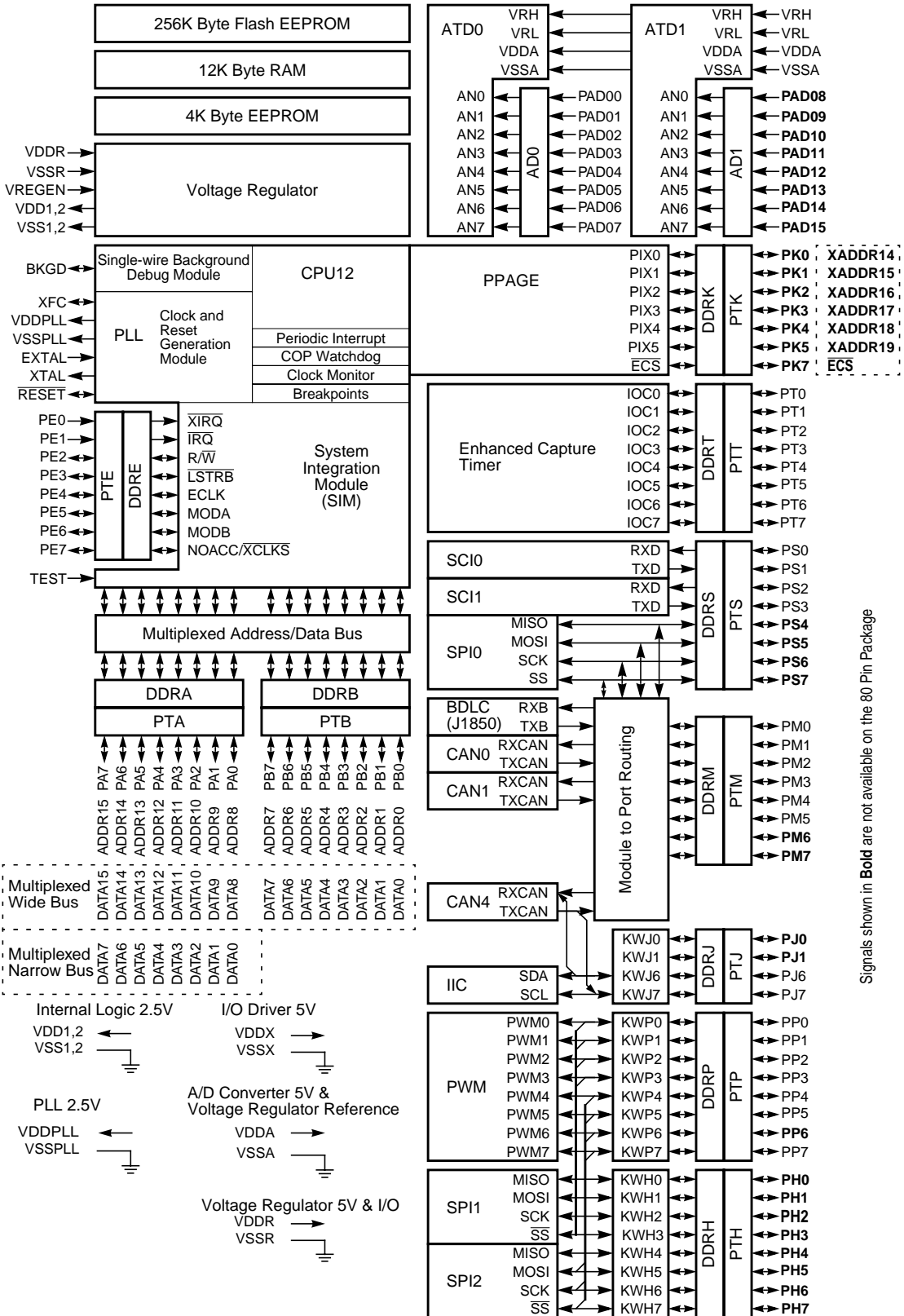
- Stop Mode
- Pseudo Stop Mode
- Wait Mode

## 1.4 Block Diagram

**Figure 1-1** shows a block diagram of the MC9S12DT256 device.



Figure 1-1 MC9S12DT256 Block Diagram



Signals shown in **Bold** are not available on the 80 Pin Package

## 1.5 Device Memory Map

**Table 1-1** and **Figure 1-2** show the device memory map of the MC9S12DT256 after reset. Note that after reset the bottom 1k of the EEPROM (\$0000 - \$03FF) are hidden by the register space.

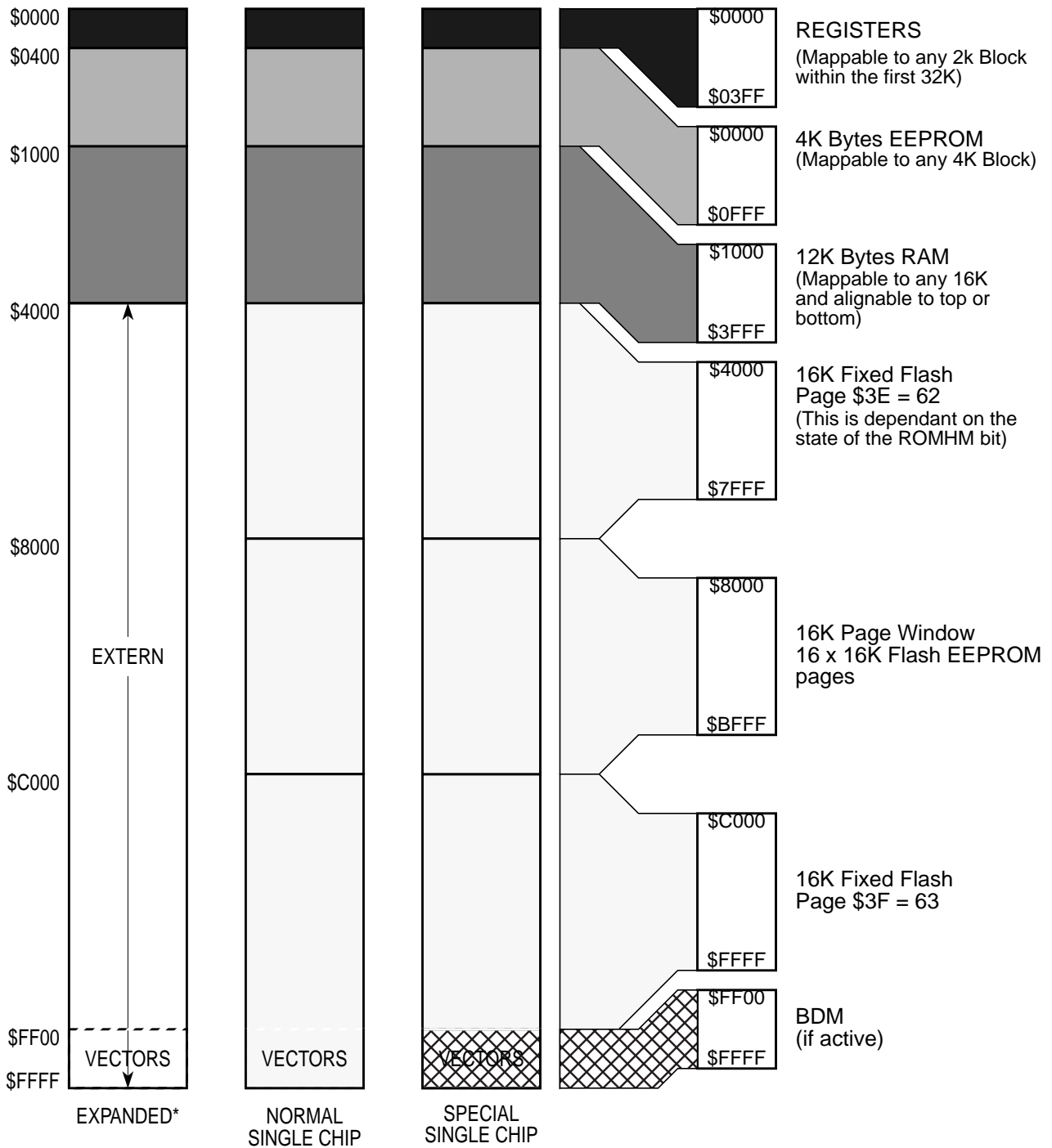
**Table 1-1 Device Memory Map**

| Address         | Module                                               | Size (Bytes) |
|-----------------|------------------------------------------------------|--------------|
| \$0000 - \$0017 | CORE (Ports A, B, E, Modes, Inits, Test)             | 24           |
| \$0018 - \$0019 | Reserved                                             | 2            |
| \$001A - \$001B | Device ID register (PARTID)                          | 2            |
| \$001C - \$001F | CORE (MEMSIZ, IRQ, HPRI0)                            | 4            |
| \$0020 - \$0027 | Reserved                                             | 8            |
| \$0028 - \$002F | CORE (Background Debug Mode)                         | 8            |
| \$0030 - \$0033 | CORE (PPAGE, Port K)                                 | 4            |
| \$0034 - \$003F | Clock and Reset Generator (PLL, RTI, COP)            | 12           |
| \$0040 - \$007F | Enhanced Capture Timer 16-bit 8 channels             | 64           |
| \$0080 - \$009F | Analog to Digital Converter 10-bit 8 channels (ATD0) | 32           |
| \$00A0 - \$00C7 | Pulse Width Modulator 8-bit 8 channels (PWM)         | 40           |
| \$00C8 - \$00CF | Serial Communications Interface (SCI0)               | 8            |
| \$00D0 - \$00D7 | Serial Communications Interface (SCI1)               | 8            |
| \$00D8 - \$00DF | Serial Peripheral Interface (SPI0)                   | 8            |
| \$00E0 - \$00E7 | Inter IC Bus                                         | 8            |
| \$00E8 - \$00EF | Byte Data Link Controller (BDLC)                     | 8            |
| \$00F0 - \$00F7 | Serial Peripheral Interface (SPI1)                   | 8            |
| \$00F8 - \$00FF | Serial Peripheral Interface (SPI2)                   | 8            |
| \$0100- \$010F  | Flash Control Register                               | 16           |
| \$0110 - \$011B | EEPROM Control Register                              | 12           |
| \$011C - \$011F | Reserved                                             | 4            |
| \$0120 - \$013F | Analog to Digital Converter 10-bit 8 channels (ATD1) | 32           |
| \$0140 - \$017F | Motorola Scalable Can (CAN0)                         | 64           |
| \$0180 - \$01BF | Motorola Scalable Can (CAN1)                         | 64           |
| \$01C0 - \$01FF | Reserved                                             | 64           |
| \$0200 - \$023F | Reserved                                             | 64           |
| \$0240 - \$027F | Port Integration Module (PIM)                        | 64           |
| \$0280 - \$02BF | Motorola Scalable Can (CAN4)                         | 64           |
| \$02C0 - \$03FF | Reserved                                             | 320          |
| \$0000 - \$0FFF | EEPROM array                                         | 4096         |

**Table 1-1 Device Memory Map**

| Address         | Module                                                                                                                           | Size (Bytes) |
|-----------------|----------------------------------------------------------------------------------------------------------------------------------|--------------|
| \$1000 - \$3FFF | RAM array                                                                                                                        | 12288        |
| \$4000 - \$7FFF | Fixed Flash EEPROM array<br>incl. 0.5K, 1K, 2K or 4K Protected Sector at start                                                   | 16384        |
| \$8000 - \$BFFF | Flash EEPROM Page Window                                                                                                         | 16384        |
| \$C000 - \$FFFF | Fixed Flash EEPROM array<br>incl. 0.5K, 1K, 2K or 4K Protected Sector at end<br>and 256 bytes of Vector Space at \$FF80 - \$FFFF | 16384        |

**Figure 1-2 MC9S12DT256 Memory Map**



\* Assuming that a '0' was driven onto port K bit 7 during MCU is reset into normal expanded wide or narrow mode.

## 1.6 Detailed Register Map

The following tables show the detailed register map of the MC9S12DT256.

### \$0000 - \$000F

### MEBI map 1 of 3 (Core User Guide)

| Address | Name     |                 | Bit 7  | Bit 6 | Bit 5 | Bit 4 | Bit 3 | Bit 2 | Bit 1 | Bit 0 |
|---------|----------|-----------------|--------|-------|-------|-------|-------|-------|-------|-------|
| \$0000  | PORTA    | Read:<br>Write: | Bit 7  | 6     | 5     | 4     | 3     | 2     | 1     | Bit 0 |
| \$0001  | PORTB    | Read:<br>Write: | Bit 7  | 6     | 5     | 4     | 3     | 2     | 1     | Bit 0 |
| \$0002  | DDRA     | Read:<br>Write: | Bit 7  | 6     | 5     | 4     | 3     | 2     | 1     | Bit 0 |
| \$0003  | DDRB     | Read:<br>Write: | Bit 7  | 6     | 5     | 4     | 3     | 2     | 1     | Bit 0 |
| \$0004  | Reserved | Read:<br>Write: | 0      | 0     | 0     | 0     | 0     | 0     | 0     | 0     |
| \$0005  | Reserved | Read:<br>Write: | 0      | 0     | 0     | 0     | 0     | 0     | 0     | 0     |
| \$0006  | Reserved | Read:<br>Write: | 0      | 0     | 0     | 0     | 0     | 0     | 0     | 0     |
| \$0007  | Reserved | Read:<br>Write: | 0      | 0     | 0     | 0     | 0     | 0     | 0     | 0     |
| \$0008  | PORTE    | Read:<br>Write: | Bit 7  | 6     | 5     | 4     | 3     | 2     | Bit 1 | Bit 0 |
| \$0009  | DDRE     | Read:<br>Write: | Bit 7  | 6     | 5     | 4     | 3     | Bit 2 | 0     | 0     |
| \$000A  | PEAR     | Read:<br>Write: | NOACCE | 0     | PIPOE | NECLK | LSTRE | RDWE  | 0     | 0     |
| \$000B  | MODE     | Read:<br>Write: | MODC   | MODB  | MODA  | 0     | IVIS  | 0     | EMK   | EME   |
| \$000C  | PUCR     | Read:<br>Write: | PUPKE  | 0     | 0     | PUPEE | 0     | 0     | PUPBE | PUPAE |
| \$000D  | RDRIV    | Read:<br>Write: | RDPK   | 0     | 0     | RDPE  | 0     | 0     | RDPB  | RDPA  |
| \$000E  | EBICTL   | Read:<br>Write: | 0      | 0     | 0     | 0     | 0     | 0     | 0     | ESTR  |
| \$000F  | Reserved | Read:<br>Write: | 0      | 0     | 0     | 0     | 0     | 0     | 0     | 0     |

### \$0010 - \$0014

### MMC map 1 of 4 (Core User Guide)

| Address | Name   |                 | Bit 7 | Bit 6 | Bit 5 | Bit 4 | Bit 3 | Bit 2 | Bit 1 | Bit 0  |
|---------|--------|-----------------|-------|-------|-------|-------|-------|-------|-------|--------|
| \$0010  | INITRM | Read:<br>Write: | RAM15 | RAM14 | RAM13 | RAM12 | RAM11 | 0     | 0     | RAMHAL |
| \$0011  | INITRG | Read:<br>Write: | 0     | REG14 | REG13 | REG12 | REG11 | 0     | 0     | 0      |

**\$0010 - \$0014**

**MMC map 1 of 4 (Core User Guide)**

| Address | Name     |        | Bit 7 | Bit 6 | Bit 5 | Bit 4 | Bit 3  | Bit 2  | Bit 1 | Bit 0 |
|---------|----------|--------|-------|-------|-------|-------|--------|--------|-------|-------|
| \$0012  | INITEE   | Read:  | EE15  | EE14  | EE13  | EE12  | EE11   | 0      | 0     | EEON  |
|         |          | Write: |       |       |       |       |        |        |       |       |
| \$0013  | MISC     | Read:  | 0     | 0     | 0     | 0     | EXSTR1 | EXSTR0 | ROMHM | ROMON |
|         |          | Write: |       |       |       |       |        |        |       |       |
| \$0014  | Reserved | Read:  | 0     | 0     | 0     | 0     | 0      | 0      | 0     | 0     |
|         |          | Write: |       |       |       |       |        |        |       |       |

**\$0015 - \$0016**

**INT map 1 of 2 (Core User Guide)**

| Address | Name  |        | Bit 7 | Bit 6 | Bit 5 | Bit 4 | Bit 3 | Bit 2 | Bit 1 | Bit 0 |
|---------|-------|--------|-------|-------|-------|-------|-------|-------|-------|-------|
| \$0015  | ITCR  | Read:  | 0     | 0     | 0     | WRINT | ADR3  | ADR2  | ADR1  | ADR0  |
|         |       | Write: |       |       |       |       |       |       |       |       |
| \$0016  | ITEST | Read:  | INTE  | INTC  | INTA  | INT8  | INT6  | INT4  | INT2  | INT0  |
|         |       | Write: |       |       |       |       |       |       |       |       |

**\$0017 - \$0017**

**MMC map 2 of 4 (Core User Guide)**

| Address | Name     |        | Bit 7 | Bit 6 | Bit 5 | Bit 4 | Bit 3 | Bit 2 | Bit 1 | Bit 0 |
|---------|----------|--------|-------|-------|-------|-------|-------|-------|-------|-------|
| \$0017  | Reserved | Read:  | 0     | 0     | 0     | 0     | 0     | 0     | 0     | 0     |
|         |          | Write: |       |       |       |       |       |       |       |       |

**\$0018 - \$001B**

**Miscellaneous Peripherals (Device User Guide, Table 1-3)**

| Address | Name     |        | Bit 7 | Bit 6 | Bit 5 | Bit 4 | Bit 3 | Bit 2 | Bit 1 | Bit 0 |
|---------|----------|--------|-------|-------|-------|-------|-------|-------|-------|-------|
| \$0018  | Reserved | Read:  | 0     | 0     | 0     | 0     | 0     | 0     | 0     | 0     |
|         |          | Write: |       |       |       |       |       |       |       |       |
| \$0019  | Reserved | Read:  | 0     | 0     | 0     | 0     | 0     | 0     | 0     | 0     |
|         |          | Write: |       |       |       |       |       |       |       |       |
| \$001A  | PARTIDH  | Read:  | ID15  | ID14  | ID13  | ID12  | ID11  | ID10  | ID9   | ID8   |
|         |          | Write: |       |       |       |       |       |       |       |       |
| \$001B  | PARTIDL  | Read:  | ID7   | ID6   | ID5   | ID4   | ID3   | ID2   | ID1   | ID0   |
|         |          | Write: |       |       |       |       |       |       |       |       |

**\$001C - \$001D**

**MMC map 3 of 4 (Core and Device User Guide, Table 1-4)**

| Address | Name    |        | Bit 7   | Bit 6   | Bit 5   | Bit 4   | Bit 3 | Bit 2   | Bit 1   | Bit 0   |
|---------|---------|--------|---------|---------|---------|---------|-------|---------|---------|---------|
| \$001C  | MEMSIZ0 | Read:  | reg_sw0 | 0       | eep_sw1 | eep_sw0 | 0     | ram_sw2 | ram_sw1 | ram_sw0 |
|         |         | Write: |         |         |         |         |       |         |         |         |
| \$001D  | MEMSIZ1 | Read:  | rom_sw1 | rom_sw0 | 0       | 0       | 0     | 0       | pag_sw1 | pag_sw0 |
|         |         | Write: |         |         |         |         |       |         |         |         |

**\$001E - \$001E**

**MEBI map 2 of 3 (Core User Guide)**

| Address | Name  | Bit 7  | Bit 6 | Bit 5 | Bit 4 | Bit 3 | Bit 2 | Bit 1 | Bit 0 |
|---------|-------|--------|-------|-------|-------|-------|-------|-------|-------|
| \$001E  | INTCR | Read:  | IRQE  | IRQEN | 0     | 0     | 0     | 0     | 0     |
|         |       | Write: |       |       |       |       |       |       |       |

**\$001F - \$001F**

**INT map 2 of 2 (Core User Guide)**

| Address | Name  | Bit 7  | Bit 6 | Bit 5 | Bit 4 | Bit 3 | Bit 2 | Bit 1 | Bit 0 |
|---------|-------|--------|-------|-------|-------|-------|-------|-------|-------|
| \$001F  | HPRIO | Read:  | PSEL7 | PSEL6 | PSEL5 | PSEL4 | PSEL3 | PSEL2 | PSEL1 |
|         |       | Write: |       |       |       |       |       |       |       |

**\$0020 - \$0027**

**Reserved**

| Address | Name     | Bit 7  | Bit 6 | Bit 5 | Bit 4 | Bit 3 | Bit 2 | Bit 1 | Bit 0 |
|---------|----------|--------|-------|-------|-------|-------|-------|-------|-------|
| \$0020  | Reserved | Read:  | 0     | 0     | 0     | 0     | 0     | 0     | 0     |
|         |          | Write: |       |       |       |       |       |       |       |
| \$0021  | Reserved | Read:  | 0     | 0     | 0     | 0     | 0     | 0     | 0     |
|         |          | Write: |       |       |       |       |       |       |       |
| \$0022  | Reserved | Read:  | 0     | 0     | 0     | 0     | 0     | 0     | 0     |
|         |          | Write: |       |       |       |       |       |       |       |
| \$0023  | Reserved | Read:  | 0     | 0     | 0     | 0     | 0     | 0     | 0     |
|         |          | Write: |       |       |       |       |       |       |       |
| \$0024  | Reserved | Read:  | 0     | 0     | 0     | 0     | 0     | 0     | 0     |
|         |          | Write: |       |       |       |       |       |       |       |
| \$0025  | Reserved | Read:  | 0     | 0     | 0     | 0     | 0     | 0     | 0     |
|         |          | Write: |       |       |       |       |       |       |       |
| \$0026  | Reserved | Read:  | 0     | 0     | 0     | 0     | 0     | 0     | 0     |
|         |          | Write: |       |       |       |       |       |       |       |
| \$0027  | Reserved | Read:  | 0     | 0     | 0     | 0     | 0     | 0     | 0     |
|         |          | Write: |       |       |       |       |       |       |       |

**\$0028 - \$002F**

**BKP (Core User Guide)**

| Address | Name   | Bit 7  | Bit 6  | Bit 5  | Bit 4  | Bit 3  | Bit 2  | Bit 1 | Bit 0  |
|---------|--------|--------|--------|--------|--------|--------|--------|-------|--------|
| \$0028  | BKPCT0 | Read:  | BKEN   | BKFULL | BKBDM  | BKTAG  | 0      | 0     | 0      |
|         |        | Write: |        |        |        |        |        |       |        |
| \$0029  | BKPCT1 | Read:  | BK0MBH | BK0MBL | BK1MBH | BK1MBL | BK0RWE | BK0RW | BK1RWE |
|         |        | Write: |        |        |        |        |        |       |        |
| \$002A  | BKP0X  | Read:  | 0      | 0      | BK0V5  | BK0V4  | BK0V3  | BK0V2 | BK0V1  |
|         |        | Write: |        |        |        |        |        |       |        |
| \$002B  | BKP0H  | Read:  | Bit 15 | 14     | 13     | 12     | 11     | 10    | 9      |
|         |        | Write: |        |        |        |        |        |       |        |
| \$002C  | BKP0L  | Read:  | Bit 7  | 6      | 5      | 4      | 3      | 2     | 1      |
|         |        | Write: |        |        |        |        |        |       |        |

**\$0028 - \$002F**

**BKP (Core User Guide)**

| Address | Name  | Read:  | Bit 7  | Bit 6 | Bit 5 | Bit 4 | Bit 3 | Bit 2 | Bit 1 | Bit 0 |
|---------|-------|--------|--------|-------|-------|-------|-------|-------|-------|-------|
| \$002D  | BKP1X | Read:  | 0      | 0     | BK1V5 | BK1V4 | BK1V3 | BK1V2 | BK1V1 | BK1V0 |
|         |       | Write: |        |       |       |       |       |       |       |       |
| \$002E  | BKP1H | Read:  | Bit 15 | 14    | 13    | 12    | 11    | 10    | 9     | Bit 8 |
|         |       | Write: |        |       |       |       |       |       |       |       |
| \$002F  | BKP1L | Read:  | Bit 7  | 6     | 5     | 4     | 3     | 2     | 1     | Bit 0 |
|         |       | Write: |        |       |       |       |       |       |       |       |

**\$0030 - \$0031**

**MMC map 4 of 4 (Core User Guide)**

| Address | Name     | Read:  | Bit 7 | Bit 6 | Bit 5 | Bit 4 | Bit 3 | Bit 2 | Bit 1 | Bit 0 |
|---------|----------|--------|-------|-------|-------|-------|-------|-------|-------|-------|
| \$0030  | PPAGE    | Read:  | 0     | 0     | PIX5  | PIX4  | PIX3  | PIX2  | PIX1  | PIX0  |
|         |          | Write: |       |       |       |       |       |       |       |       |
| \$0031  | Reserved | Read:  | 0     | 0     | 0     | 0     | 0     | 0     | 0     | 0     |
|         |          | Write: |       |       |       |       |       |       |       |       |

**\$0032 - \$0033**

**MEBI map 3 of 3 (Core User Guide)**

| Address | Name  | Read:  | Bit 7 | Bit 6 | Bit 5 | Bit 4 | Bit 3 | Bit 2 | Bit 1 | Bit 0 |
|---------|-------|--------|-------|-------|-------|-------|-------|-------|-------|-------|
| \$0032  | PORTK | Read:  | Bit 7 | 6     | 5     | 4     | 3     | 2     | 1     | Bit 0 |
|         |       | Write: |       |       |       |       |       |       |       |       |
| \$0033  | DDRK  | Read:  | Bit 7 | 6     | 5     | 4     | 3     | 2     | 1     | Bit 0 |
|         |       | Write: |       |       |       |       |       |       |       |       |

**\$0034 - \$003F**

**CRG (Clock and Reset Generator)**

| Address | Name               | Read:  | Bit 7  | Bit 6 | Bit 5  | Bit 4  | Bit 3  | Bit 2  | Bit 1  | Bit 0  |
|---------|--------------------|--------|--------|-------|--------|--------|--------|--------|--------|--------|
| \$0034  | SYNR               | Read:  | 0      | 0     | SYN5   | SYN4   | SYN3   | SYN2   | SYN1   | SYN0   |
|         |                    | Write: |        |       |        |        |        |        |        |        |
| \$0035  | REFDV              | Read:  | 0      | 0     | 0      | 0      | REFDV3 | REFDV2 | REFDV1 | REFDV0 |
|         |                    | Write: |        |       |        |        |        |        |        |        |
| \$0036  | CTFLG<br>TEST ONLY | Read:  | TOUT7  | TOUT6 | TOUT5  | TOUT4  | TOUT3  | TOUT2  | TOUT1  | TOUT0  |
|         |                    | Write: |        |       |        |        |        |        |        |        |
| \$0037  | CRGFLG             | Read:  | RTIF   | PROF  | 0      | LOCKIF | LOCK   | TRACK  | SCMIF  | SCM    |
|         |                    | Write: |        |       |        |        |        |        |        |        |
| \$0038  | CRGINT             | Read:  | RTIE   | 0     | 0      | LOCKIE | 0      | 0      | SCMIE  | 0      |
|         |                    | Write: |        |       |        |        |        |        |        |        |
| \$0039  | CLKSEL             | Read:  | PLLSEL | PSTP  | SYSWAI | ROAWAI | PLLWAI | CWAI   | RTIWAI | COPWAI |
|         |                    | Write: |        |       |        |        |        |        |        |        |
| \$003A  | PLLCTL             | Read:  | CME    | PLLON | AUTO   | ACQ    | 0      | PRE    | PCE    | SCME   |
|         |                    | Write: |        |       |        |        |        |        |        |        |
| \$003B  | RTICTL             | Read:  | 0      | RTR6  | RTR5   | RTR4   | RTR3   | RTR2   | RTR1   | RTR0   |
|         |                    | Write: |        |       |        |        |        |        |        |        |
| \$003C  | COPCTL             | Read:  | WCOP   | RSBCK | 0      | 0      | 0      | CR2    | CR1    | CR0    |
|         |                    | Write: |        |       |        |        |        |        |        |        |



**\$0034 - \$003F**

**CRG (Clock and Reset Generator)**

| Address | Name      |        | Bit 7  | Bit 6  | Bit 5 | Bit 4  | Bit 3 | Bit 2 | Bit 1 | Bit 0 |
|---------|-----------|--------|--------|--------|-------|--------|-------|-------|-------|-------|
| \$003D  | FORBYP    | Read:  | RTIBYP | COPBYP | 0     | PLLBYP | 0     | 0     | FCM   | 0     |
|         | TEST ONLY | Write: |        |        |       |        |       |       |       |       |
| \$003E  | CTCTL     | Read:  | TCTL7  | TCTL6  | TCTL5 | TCTL4  | TCTL3 | TCTL2 | TCTL1 | TCTL0 |
|         | TEST ONLY | Write: |        |        |       |        |       |       |       |       |
| \$003F  | ARMCOP    | Read:  | 0      | 0      | 0     | 0      | 0     | 0     | 0     | 0     |
|         |           | Write: | Bit 7  | 6      | 5     | 4      | 3     | 2     | 1     | Bit 0 |

**\$0040 - \$007F**

**ECT (Enhanced Capture Timer 16 Bit 8 Channels)**

| Address | Name      |        | Bit 7  | Bit 6 | Bit 5 | Bit 4 | Bit 3 | Bit 2 | Bit 1 | Bit 0 |
|---------|-----------|--------|--------|-------|-------|-------|-------|-------|-------|-------|
| \$0040  | TIOS      | Read:  | IOS7   | IOS6  | IOS5  | IOS4  | IOS3  | IOS2  | IOS1  | IOS0  |
|         |           | Write: |        |       |       |       |       |       |       |       |
| \$0041  | CFORC     | Read:  | 0      | 0     | 0     | 0     | 0     | 0     | 0     | 0     |
|         |           | Write: | FOC7   | FOC6  | FOC5  | FOC4  | FOC3  | FOC2  | FOC1  | FOC0  |
| \$0042  | OC7M      | Read:  | OC7M7  | OC7M6 | OC7M5 | OC7M4 | OC7M3 | OC7M2 | OC7M1 | OC7M0 |
|         |           | Write: |        |       |       |       |       |       |       |       |
| \$0043  | OC7D      | Read:  | OC7D7  | OC7D6 | OC7D5 | OC7D4 | OC7D3 | OC7D2 | OC7D1 | OC7D0 |
|         |           | Write: |        |       |       |       |       |       |       |       |
| \$0044  | TCNT (hi) | Read:  | Bit 15 | 14    | 13    | 12    | 11    | 10    | 9     | Bit 8 |
|         |           | Write: |        |       |       |       |       |       |       |       |
| \$0045  | TCNT (lo) | Read:  | Bit 7  | 6     | 5     | 4     | 3     | 2     | 1     | Bit 0 |
|         |           | Write: |        |       |       |       |       |       |       |       |
| \$0046  | TSCR1     | Read:  | TEN    | TSWAI | TSFRZ | TFFCA | 0     | 0     | 0     | 0     |
|         |           | Write: |        |       |       |       |       |       |       |       |
| \$0047  | TTOV      | Read:  | TOV7   | TOV6  | TOV5  | TOV4  | TOV3  | TOV2  | TOV1  | TOV0  |
|         |           | Write: |        |       |       |       |       |       |       |       |
| \$0048  | TCTL1     | Read:  | OM7    | OL7   | OM6   | OL6   | OM5   | OL5   | OM4   | OL4   |
|         |           | Write: |        |       |       |       |       |       |       |       |
| \$0049  | TCTL2     | Read:  | OM3    | OL3   | OM2   | OL2   | OM1   | OL1   | OM0   | OL0   |
|         |           | Write: |        |       |       |       |       |       |       |       |
| \$004A  | TCTL3     | Read:  | EDG7B  | EDG7A | EDG6B | EDG6A | EDG5B | EDG5A | EDG4B | EDG4A |
|         |           | Write: |        |       |       |       |       |       |       |       |
| \$004B  | TCTL4     | Read:  | EDG3B  | EDG3A | EDG2B | EDG2A | EDG1B | EDG1A | EDG0B | EDG0A |
|         |           | Write: |        |       |       |       |       |       |       |       |
| \$004C  | TIE       | Read:  | C7I    | C6I   | C5I   | C4I   | C3I   | C2I   | C1I   | C0I   |
|         |           | Write: |        |       |       |       |       |       |       |       |
| \$004D  | TSCR2     | Read:  | TOI    | 0     | 0     | 0     | TCRE  | PR2   | PR1   | PR0   |
|         |           | Write: |        |       |       |       |       |       |       |       |
| \$004E  | TFLG1     | Read:  | C7F    | C6F   | C5F   | C4F   | C3F   | C2F   | C1F   | C0F   |
|         |           | Write: |        |       |       |       |       |       |       |       |
| \$004F  | TFLG2     | Read:  | TOF    | 0     | 0     | 0     | 0     | 0     | 0     | 0     |
|         |           | Write: |        |       |       |       |       |       |       |       |
| \$0050  | TC0 (hi)  | Read:  | Bit 15 | 14    | 13    | 12    | 11    | 10    | 9     | Bit 8 |
|         |           | Write: |        |       |       |       |       |       |       |       |
| \$0051  | TC0 (lo)  | Read:  | Bit 7  | 6     | 5     | 4     | 3     | 2     | 1     | Bit 0 |
|         |           | Write: |        |       |       |       |       |       |       |       |
| \$0052  | TC1 (hi)  | Read:  | Bit 15 | 14    | 13    | 12    | 11    | 10    | 9     | Bit 8 |
|         |           | Write: |        |       |       |       |       |       |       |       |

**\$0040 - \$007F**

**ECT (Enhanced Capture Timer 16 Bit 8 Channels)**

| Address | Name       |                 | Bit 7  | Bit 6 | Bit 5 | Bit 4      | Bit 3     | Bit 2 | Bit 1 | Bit 0 |
|---------|------------|-----------------|--------|-------|-------|------------|-----------|-------|-------|-------|
| \$0053  | TC1 (lo)   | Read:<br>Write: | Bit 7  | 6     | 5     | 4          | 3         | 2     | 1     | Bit 0 |
| \$0054  | TC2 (hi)   | Read:<br>Write: | Bit 15 | 14    | 13    | 12         | 11        | 10    | 9     | Bit 8 |
| \$0055  | TC2 (lo)   | Read:<br>Write: | Bit 7  | 6     | 5     | 4          | 3         | 2     | 1     | Bit 0 |
| \$0056  | TC3 (hi)   | Read:<br>Write: | Bit 15 | 14    | 13    | 12         | 11        | 10    | 9     | Bit 8 |
| \$0057  | TC3 (lo)   | Read:<br>Write: | Bit 7  | 6     | 5     | 4          | 3         | 2     | 1     | Bit 0 |
| \$0058  | TC4 (hi)   | Read:<br>Write: | Bit 15 | 14    | 13    | 12         | 11        | 10    | 9     | Bit 8 |
| \$0059  | TC4 (lo)   | Read:<br>Write: | Bit 7  | 6     | 5     | 4          | 3         | 2     | 1     | Bit 0 |
| \$005A  | TC5 (hi)   | Read:<br>Write: | Bit 15 | 14    | 13    | 12         | 11        | 10    | 9     | Bit 8 |
| \$005B  | TC5 (lo)   | Read:<br>Write: | Bit 7  | 6     | 5     | 4          | 3         | 2     | 1     | Bit 0 |
| \$005C  | TC6 (hi)   | Read:<br>Write: | Bit 15 | 14    | 13    | 12         | 11        | 10    | 9     | Bit 8 |
| \$005D  | TC6 (lo)   | Read:<br>Write: | Bit 7  | 6     | 5     | 4          | 3         | 2     | 1     | Bit 0 |
| \$005E  | TC7 (hi)   | Read:<br>Write: | Bit 15 | 14    | 13    | 12         | 11        | 10    | 9     | Bit 8 |
| \$005F  | TC7 (lo)   | Read:<br>Write: | Bit 7  | 6     | 5     | 4          | 3         | 2     | 1     | Bit 0 |
| \$0060  | PACTL      | Read:<br>Write: | 0      | PAEN  | PAMOD | PEDGE      | CLK1      | CLK0  | PAOVI | PAI   |
| \$0061  | PAFLG      | Read:<br>Write: | 0      | 0     | 0     | 0          | 0         | 0     | PAOVF | PAIF  |
| \$0062  | PACN3 (hi) | Read:<br>Write: | Bit 7  | 6     | 5     | 4          | 3         | 2     | 1     | Bit 0 |
| \$0063  | PACN2 (lo) | Read:<br>Write: | Bit 7  | 6     | 5     | 4          | 3         | 2     | 1     | Bit 0 |
| \$0064  | PACN1 (hi) | Read:<br>Write: | Bit 7  | 6     | 5     | 4          | 3         | 2     | 1     | Bit 0 |
| \$0065  | PACN0 (lo) | Read:<br>Write: | Bit 7  | 6     | 5     | 4          | 3         | 2     | 1     | Bit 0 |
| \$0066  | MCCTL      | Read:<br>Write: | MCZI   | MODMC | RDMCL | 0<br>ICLAT | 0<br>FLMC | MCEN  | MCPR1 | MCPR0 |
| \$0067  | MCFLG      | Read:<br>Write: | MCZF   | 0     | 0     | 0          | POLF3     | POLF2 | POLF1 | POLF0 |
| \$0068  | ICPAR      | Read:<br>Write: | 0      | 0     | 0     | 0          | PA3EN     | PA2EN | PA1EN | PA0EN |
| \$0069  | DLYCT      | Read:<br>Write: | 0      | 0     | 0     | 0          | 0         | 0     | DLY1  | DLY0  |
| \$006A  | ICOVW      | Read:<br>Write: | NOVW7  | NOVW6 | NOVW5 | NOVW4      | NOVW3     | NOVW2 | NOVW1 | NOVW0 |
| \$006B  | ICSYS      | Read:<br>Write: | SH37   | SH26  | SH15  | SH04       | TFMOD     | PACMX | BUFEN | LATQ  |

Freescale Semiconductor, Inc.

**\$0040 - \$007F**

**ECT (Enhanced Capture Timer 16 Bit 8 Channels)**

| Address | Name                |        | Bit 7  | Bit 6 | Bit 5 | Bit 4 | Bit 3 | Bit 2 | Bit 1 | Bit 0 |
|---------|---------------------|--------|--------|-------|-------|-------|-------|-------|-------|-------|
| \$006C  | Reserved            | Read:  |        |       |       |       |       |       |       |       |
|         |                     | Write: |        |       |       |       |       |       |       |       |
| \$006D  | TIMTST<br>Test Only | Read:  | 0      | 0     | 0     | 0     | 0     | 0     | TCBYP | 0     |
|         |                     | Write: |        |       |       |       |       |       |       |       |
| \$006E  | Reserved            | Read:  |        |       |       |       |       |       |       |       |
|         |                     | Write: |        |       |       |       |       |       |       |       |
| \$006F  | Reserved            | Read:  |        |       |       |       |       |       |       |       |
|         |                     | Write: |        |       |       |       |       |       |       |       |
| \$0070  | PBCTL               | Read:  | 0      | PBEN  | 0     | 0     | 0     | 0     | PBOVI | 0     |
|         |                     | Write: |        |       |       |       |       |       |       |       |
| \$0071  | PBFLG               | Read:  | 0      | 0     | 0     | 0     | 0     | 0     | PBOVF | 0     |
|         |                     | Write: |        |       |       |       |       |       |       |       |
| \$0072  | PA3H                | Read:  | Bit 7  | 6     | 5     | 4     | 3     | 2     | 1     | Bit 0 |
|         |                     | Write: |        |       |       |       |       |       |       |       |
| \$0073  | PA2H                | Read:  | Bit 7  | 6     | 5     | 4     | 3     | 2     | 1     | Bit 0 |
|         |                     | Write: |        |       |       |       |       |       |       |       |
| \$0074  | PA1H                | Read:  | Bit 7  | 6     | 5     | 4     | 3     | 2     | 1     | Bit 0 |
|         |                     | Write: |        |       |       |       |       |       |       |       |
| \$0075  | PA0H                | Read:  | Bit 7  | 6     | 5     | 4     | 3     | 2     | 1     | Bit 0 |
|         |                     | Write: |        |       |       |       |       |       |       |       |
| \$0076  | MCCNT (hi)          | Read:  | Bit 15 | 14    | 13    | 12    | 11    | 10    | 9     | Bit 8 |
|         |                     | Write: |        |       |       |       |       |       |       |       |
| \$0077  | MCCNT (lo)          | Read:  | Bit 7  | 6     | 5     | 4     | 3     | 2     | 1     | Bit 0 |
|         |                     | Write: |        |       |       |       |       |       |       |       |
| \$0078  | TC0H (hi)           | Read:  | Bit 15 | 14    | 13    | 12    | 11    | 10    | 9     | Bit 8 |
|         |                     | Write: |        |       |       |       |       |       |       |       |
| \$0079  | TC0H (lo)           | Read:  | Bit 7  | 6     | 5     | 4     | 3     | 2     | 1     | Bit 0 |
|         |                     | Write: |        |       |       |       |       |       |       |       |
| \$007A  | TC1H (hi)           | Read:  | Bit 15 | 14    | 13    | 12    | 11    | 10    | 9     | Bit 8 |
|         |                     | Write: |        |       |       |       |       |       |       |       |
| \$007B  | TC1H (lo)           | Read:  | Bit 7  | 6     | 5     | 4     | 3     | 2     | 1     | Bit 0 |
|         |                     | Write: |        |       |       |       |       |       |       |       |
| \$007C  | TC2H (hi)           | Read:  | Bit 15 | 14    | 13    | 12    | 11    | 10    | 9     | Bit 8 |
|         |                     | Write: |        |       |       |       |       |       |       |       |
| \$007D  | TC2H (lo)           | Read:  | Bit 7  | 6     | 5     | 4     | 3     | 2     | 1     | Bit 0 |
|         |                     | Write: |        |       |       |       |       |       |       |       |
| \$007E  | TC3H (hi)           | Read:  | Bit 15 | 14    | 13    | 12    | 11    | 10    | 9     | Bit 8 |
|         |                     | Write: |        |       |       |       |       |       |       |       |
| \$007F  | TC3H (lo)           | Read:  | Bit 7  | 6     | 5     | 4     | 3     | 2     | 1     | Bit 0 |
|         |                     | Write: |        |       |       |       |       |       |       |       |

**\$0080 - \$009F**

**ATD0 (Analog to Digital Converter 10 Bit 8 Channel)**

| Address | Name     |        | Bit 7 | Bit 6 | Bit 5 | Bit 4 | Bit 3 | Bit 2 | Bit 1 | Bit 0 |
|---------|----------|--------|-------|-------|-------|-------|-------|-------|-------|-------|
| \$0080  | ATD0CTL0 | Read:  | 0     | 0     | 0     | 0     | 0     | 0     | 0     | 0     |
|         |          | Write: |       |       |       |       |       |       |       |       |
| \$0081  | ATD0CTL1 | Read:  | 0     | 0     | 0     | 0     | 0     | 0     | 0     | 0     |
|         |          | Write: |       |       |       |       |       |       |       |       |

**\$0080 - \$009F**

**ATD0 (Analog to Digital Converter 10 Bit 8 Channel)**

| Address | Name      |        | Bit 7 | Bit 6 | Bit 5 | Bit 4   | Bit 3  | Bit 2 | Bit 1 | Bit 0 |
|---------|-----------|--------|-------|-------|-------|---------|--------|-------|-------|-------|
| \$0082  | ATD0CTL2  | Read:  | ADPU  | AFFC  | AWAI  | ETRIGLE | ETRIGP | ETRIG | ASCIE | ASCIF |
|         |           | Write: |       |       |       |         |        |       |       |       |
| \$0083  | ATD0CTL3  | Read:  | 0     | S8C   | S4C   | S2C     | S1C    | FIFO  | FRZ1  | FRZ0  |
|         |           | Write: |       |       |       |         |        |       |       |       |
| \$0084  | ATD0CTL4  | Read:  | SRES8 | SMP1  | SMP0  | PRS4    | PRS3   | PRS2  | PRS1  | PRS0  |
|         |           | Write: |       |       |       |         |        |       |       |       |
| \$0085  | ATD0CTL5  | Read:  | DJM   | DSGN  | SCAN  | MULT    | 0      | CC    | CB    | CA    |
|         |           | Write: |       |       |       |         |        |       |       |       |
| \$0086  | ATD0STAT0 | Read:  | SCF   | 0     | ETORF | FIFOR   | 0      | CC2   | CC1   | CC0   |
|         |           | Write: |       |       |       |         |        |       |       |       |
| \$0087  | Reserved  | Read:  | 0     | 0     | 0     | 0       | 0      | 0     | 0     | 0     |
|         |           | Write: |       |       |       |         |        |       |       |       |
| \$0088  | ATD0TEST0 | Read:  | 0     | 0     | 0     | 0       | 0      | 0     | 0     | 0     |
|         |           | Write: |       |       |       |         |        |       |       |       |
| \$0089  | ATD0TEST1 | Read:  | 0     | 0     | 0     | 0       | 0      | 0     | 0     | SC    |
|         |           | Write: |       |       |       |         |        |       |       |       |
| \$008A  | Reserved  | Read:  | 0     | 0     | 0     | 0       | 0      | 0     | 0     | 0     |
|         |           | Write: |       |       |       |         |        |       |       |       |
| \$008B  | ATD0STAT1 | Read:  | CCF7  | CCF6  | CCF5  | CCF4    | CCF3   | CCF2  | CCF1  | CCF0  |
|         |           | Write: |       |       |       |         |        |       |       |       |
| \$008C  | Reserved  | Read:  | 0     | 0     | 0     | 0       | 0      | 0     | 0     | 0     |
|         |           | Write: |       |       |       |         |        |       |       |       |
| \$008D  | ATD0DIEN  | Read:  | Bit 7 | 6     | 5     | 4       | 3      | 2     | 1     | Bit 0 |
|         |           | Write: |       |       |       |         |        |       |       |       |
| \$008E  | Reserved  | Read:  | 0     | 0     | 0     | 0       | 0      | 0     | 0     | 0     |
|         |           | Write: |       |       |       |         |        |       |       |       |
| \$008F  | PORTAD0   | Read:  | Bit7  | 6     | 5     | 4       | 3      | 2     | 1     | BIT 0 |
|         |           | Write: |       |       |       |         |        |       |       |       |
| \$0090  | ATD0DR0H  | Read:  | Bit15 | 14    | 13    | 12      | 11     | 10    | 9     | Bit8  |
|         |           | Write: |       |       |       |         |        |       |       |       |
| \$0091  | ATD0DR0L  | Read:  | Bit7  | Bit6  | 0     | 0       | 0      | 0     | 0     | 0     |
|         |           | Write: |       |       |       |         |        |       |       |       |
| \$0092  | ATD0DR1H  | Read:  | Bit15 | 14    | 13    | 12      | 11     | 10    | 9     | Bit8  |
|         |           | Write: |       |       |       |         |        |       |       |       |
| \$0093  | ATD0DR1L  | Read:  | Bit7  | Bit6  | 0     | 0       | 0      | 0     | 0     | 0     |
|         |           | Write: |       |       |       |         |        |       |       |       |
| \$0094  | ATD0DR2H  | Read:  | Bit15 | 14    | 13    | 12      | 11     | 10    | 9     | Bit8  |
|         |           | Write: |       |       |       |         |        |       |       |       |
| \$0095  | ATD0DR2L  | Read:  | Bit7  | Bit6  | 0     | 0       | 0      | 0     | 0     | 0     |
|         |           | Write: |       |       |       |         |        |       |       |       |
| \$0096  | ATD0DR3H  | Read:  | Bit15 | 14    | 13    | 12      | 11     | 10    | 9     | Bit8  |
|         |           | Write: |       |       |       |         |        |       |       |       |
| \$0097  | ATD0DR3L  | Read:  | Bit7  | Bit6  | 0     | 0       | 0      | 0     | 0     | 0     |
|         |           | Write: |       |       |       |         |        |       |       |       |
| \$0098  | ATD0DR4H  | Read:  | Bit15 | 14    | 13    | 12      | 11     | 10    | 9     | Bit8  |
|         |           | Write: |       |       |       |         |        |       |       |       |
| \$0099  | ATD0DR4L  | Read:  | Bit7  | Bit6  | 0     | 0       | 0      | 0     | 0     | 0     |
|         |           | Write: |       |       |       |         |        |       |       |       |
| \$009A  | ATD0DR5H  | Read:  | Bit15 | 14    | 13    | 12      | 11     | 10    | 9     | Bit8  |
|         |           | Write: |       |       |       |         |        |       |       |       |

**\$0080 - \$009F**

**ATD0 (Analog to Digital Converter 10 Bit 8 Channel)**

| Address | Name     |        | Bit 7 | Bit 6 | Bit 5 | Bit 4 | Bit 3 | Bit 2 | Bit 1 | Bit 0 |
|---------|----------|--------|-------|-------|-------|-------|-------|-------|-------|-------|
| \$009B  | ATD0DR5L | Read:  | Bit7  | Bit6  | 0     | 0     | 0     | 0     | 0     | 0     |
|         |          | Write: |       |       |       |       |       |       |       |       |
| \$009C  | ATD0DR6H | Read:  | Bit15 | 14    | 13    | 12    | 11    | 10    | 9     | Bit8  |
|         |          | Write: |       |       |       |       |       |       |       |       |
| \$009D  | ATD0DR6L | Read:  | Bit7  | Bit6  | 0     | 0     | 0     | 0     | 0     | 0     |
|         |          | Write: |       |       |       |       |       |       |       |       |
| \$009E  | ATD0DR7H | Read:  | Bit15 | 14    | 13    | 12    | 11    | 10    | 9     | Bit8  |
|         |          | Write: |       |       |       |       |       |       |       |       |
| \$009F  | ATD0DR7L | Read:  | Bit7  | Bit6  | 0     | 0     | 0     | 0     | 0     | 0     |
|         |          | Write: |       |       |       |       |       |       |       |       |

**\$00A0 - \$00C7**

**PWM (Pulse Width Modulator 8 Bit 8 Channel)**

| Address | Name                |        | Bit 7 | Bit 6 | Bit 5 | Bit 4 | Bit 3 | Bit 2 | Bit 1 | Bit 0 |
|---------|---------------------|--------|-------|-------|-------|-------|-------|-------|-------|-------|
| \$00A0  | PWME                | Read:  | PWME7 | PWME6 | PWME5 | PWME4 | PWME3 | PWME2 | PWME1 | PWME0 |
|         |                     | Write: |       |       |       |       |       |       |       |       |
| \$00A1  | PWMPOL              | Read:  | PPOL7 | PPOL6 | PPOL5 | PPOL4 | PPOL3 | PPOL2 | PPOL1 | PPOL0 |
|         |                     | Write: |       |       |       |       |       |       |       |       |
| \$00A2  | PWMCLK              | Read:  | PCLK7 | PCLK6 | PCLK5 | PCLK4 | PCLK3 | PCLK2 | PCLK1 | PCLK0 |
|         |                     | Write: |       |       |       |       |       |       |       |       |
| \$00A3  | PWMPRCLK            | Read:  | 0     | PCKB2 | PCKB1 | PCKB0 | 0     | PCKA2 | PCKA1 | PCKA0 |
|         |                     | Write: |       |       |       |       |       |       |       |       |
| \$00A4  | PWMCAE              | Read:  | CAE7  | CAE6  | CAE5  | CAE4  | CAE3  | CAE2  | CAE1  | CAE0  |
|         |                     | Write: |       |       |       |       |       |       |       |       |
| \$00A5  | PWMCTL              | Read:  | CON67 | CON45 | CON23 | CON01 | PSWAI | PFRZ  | 0     | 0     |
|         |                     | Write: |       |       |       |       |       |       |       |       |
| \$00A6  | PWMTST<br>Test Only | Read:  | 0     | 0     | 0     | 0     | 0     | 0     | 0     | 0     |
|         |                     | Write: |       |       |       |       |       |       |       |       |
| \$00A7  | PWMPRSC             | Read:  | 0     | 0     | 0     | 0     | 0     | 0     | 0     | 0     |
|         |                     | Write: |       |       |       |       |       |       |       |       |
| \$00A8  | PWMSCLA             | Read:  | Bit 7 | 6     | 5     | 4     | 3     | 2     | 1     | Bit 0 |
|         |                     | Write: |       |       |       |       |       |       |       |       |
| \$00A9  | PWMSCLB             | Read:  | Bit 7 | 6     | 5     | 4     | 3     | 2     | 1     | Bit 0 |
|         |                     | Write: |       |       |       |       |       |       |       |       |
| \$00AA  | PWMSCNTA            | Read:  | 0     | 0     | 0     | 0     | 0     | 0     | 0     | 0     |
|         |                     | Write: |       |       |       |       |       |       |       |       |
| \$00AB  | PWMSCNTB            | Read:  | 0     | 0     | 0     | 0     | 0     | 0     | 0     | 0     |
|         |                     | Write: |       |       |       |       |       |       |       |       |
| \$00AC  | PWMCNT0             | Read:  | Bit 7 | 6     | 5     | 4     | 3     | 2     | 1     | Bit 0 |
|         |                     | Write: | 0     | 0     | 0     | 0     | 0     | 0     | 0     | 0     |
| \$00AD  | PWMCNT1             | Read:  | Bit 7 | 6     | 5     | 4     | 3     | 2     | 1     | Bit 0 |
|         |                     | Write: | 0     | 0     | 0     | 0     | 0     | 0     | 0     | 0     |
| \$00AE  | PWMCNT2             | Read:  | Bit 7 | 6     | 5     | 4     | 3     | 2     | 1     | Bit 0 |
|         |                     | Write: | 0     | 0     | 0     | 0     | 0     | 0     | 0     | 0     |
| \$00AF  | PWMCNT3             | Read:  | Bit 7 | 6     | 5     | 4     | 3     | 2     | 1     | Bit 0 |
|         |                     | Write: | 0     | 0     | 0     | 0     | 0     | 0     | 0     | 0     |
| \$00B0  | PWMCNT4             | Read:  | Bit 7 | 6     | 5     | 4     | 3     | 2     | 1     | Bit 0 |
|         |                     | Write: | 0     | 0     | 0     | 0     | 0     | 0     | 0     | 0     |

**\$00A0 - \$00C7**

**PWM (Pulse Width Modulator 8 Bit 8 Channel)**

| Address | Name     |        | Bit 7 | Bit 6 | Bit 5        | Bit 4  | Bit 3 | Bit 2  | Bit 1       | Bit 0       |
|---------|----------|--------|-------|-------|--------------|--------|-------|--------|-------------|-------------|
| \$00B1  | PWMCNT5  | Read:  | Bit 7 | 6     | 5            | 4      | 3     | 2      | 1           | Bit 0       |
|         |          | Write: | 0     | 0     | 0            | 0      | 0     | 0      | 0           | 0           |
| \$00B2  | PWMCNT6  | Read:  | Bit 7 | 6     | 5            | 4      | 3     | 2      | 1           | Bit 0       |
|         |          | Write: | 0     | 0     | 0            | 0      | 0     | 0      | 0           | 0           |
| \$00B3  | PWMCNT7  | Read:  | Bit 7 | 6     | 5            | 4      | 3     | 2      | 1           | Bit 0       |
|         |          | Write: | 0     | 0     | 0            | 0      | 0     | 0      | 0           | 0           |
| \$00B4  | PWMPER0  | Read:  | Bit 7 | 6     | 5            | 4      | 3     | 2      | 1           | Bit 0       |
|         |          | Write: |       |       |              |        |       |        |             |             |
| \$00B5  | PWMPER1  | Read:  | Bit 7 | 6     | 5            | 4      | 3     | 2      | 1           | Bit 0       |
|         |          | Write: |       |       |              |        |       |        |             |             |
| \$00B6  | PWMPER2  | Read:  | Bit 7 | 6     | 5            | 4      | 3     | 2      | 1           | Bit 0       |
|         |          | Write: |       |       |              |        |       |        |             |             |
| \$00B7  | PWMPER3  | Read:  | Bit 7 | 6     | 5            | 4      | 3     | 2      | 1           | Bit 0       |
|         |          | Write: |       |       |              |        |       |        |             |             |
| \$00B8  | PWMPER4  | Read:  | Bit 7 | 6     | 5            | 4      | 3     | 2      | 1           | Bit 0       |
|         |          | Write: |       |       |              |        |       |        |             |             |
| \$00B9  | PWMPER5  | Read:  | Bit 7 | 6     | 5            | 4      | 3     | 2      | 1           | Bit 0       |
|         |          | Write: |       |       |              |        |       |        |             |             |
| \$00BA  | PWMPER6  | Read:  | Bit 7 | 6     | 5            | 4      | 3     | 2      | 1           | Bit 0       |
|         |          | Write: |       |       |              |        |       |        |             |             |
| \$00BB  | PWMPER7  | Read:  | Bit 7 | 6     | 5            | 4      | 3     | 2      | 1           | Bit 0       |
|         |          | Write: |       |       |              |        |       |        |             |             |
| \$00BC  | PWMDTY0  | Read:  | Bit 7 | 6     | 5            | 4      | 3     | 2      | 1           | Bit 0       |
|         |          | Write: |       |       |              |        |       |        |             |             |
| \$00BD  | PWMDTY1  | Read:  | Bit 7 | 6     | 5            | 4      | 3     | 2      | 1           | Bit 0       |
|         |          | Write: |       |       |              |        |       |        |             |             |
| \$00BE  | PWMDTY2  | Read:  | Bit 7 | 6     | 5            | 4      | 3     | 2      | 1           | Bit 0       |
|         |          | Write: |       |       |              |        |       |        |             |             |
| \$00BF  | PWMDTY3  | Read:  | Bit 7 | 6     | 5            | 4      | 3     | 2      | 1           | Bit 0       |
|         |          | Write: |       |       |              |        |       |        |             |             |
| \$00C0  | PWMDTY4  | Read:  | Bit 7 | 6     | 5            | 4      | 3     | 2      | 1           | Bit 0       |
|         |          | Write: |       |       |              |        |       |        |             |             |
| \$00C1  | PWMDTY5  | Read:  | Bit 7 | 6     | 5            | 4      | 3     | 2      | 1           | Bit 0       |
|         |          | Write: |       |       |              |        |       |        |             |             |
| \$00C2  | PWMDTY6  | Read:  | Bit 7 | 6     | 5            | 4      | 3     | 2      | 1           | Bit 0       |
|         |          | Write: |       |       |              |        |       |        |             |             |
| \$00C3  | PWMDTY7  | Read:  | Bit 7 | 6     | 5            | 4      | 3     | 2      | 1           | Bit 0       |
|         |          | Write: |       |       |              |        |       |        |             |             |
| \$00C4  | PWMSDN   | Read:  | PWMIF | PWMIE | PWMRS<br>TRT | PWMLVL | 0     | PWM7IN | PWM7IN<br>L | PWM7E<br>NA |
|         |          | Write: |       |       |              |        |       |        |             |             |
| \$00C5  | Reserved | Read:  | 0     | 0     | 0            | 0      | 0     | 0      | 0           | 0           |
|         |          | Write: |       |       |              |        |       |        |             |             |
| \$00C6  | Reserved | Read:  | 0     | 0     | 0            | 0      | 0     | 0      | 0           | 0           |
|         |          | Write: |       |       |              |        |       |        |             |             |
| \$00C7  | Reserved | Read:  | 0     | 0     | 0            | 0      | 0     | 0      | 0           | 0           |
|         |          | Write: |       |       |              |        |       |        |             |             |

**\$00C8 - \$00CF**

**SCI0 (Asynchronous Serial Interface)**

| Address | Name    |        | Bit 7 | Bit 6   | Bit 5 | Bit 4 | Bit 3 | Bit 2 | Bit 1 | Bit 0 |
|---------|---------|--------|-------|---------|-------|-------|-------|-------|-------|-------|
| \$00C8  | SCI0BDH | Read:  | 0     | 0       | 0     | SBR12 | SBR11 | SBR10 | SBR9  | SBR8  |
|         |         | Write: |       |         |       |       |       |       |       |       |
| \$00C9  | SCI0BDL | Read:  | SBR7  | SBR6    | SBR5  | SBR4  | SBR3  | SBR2  | SBR1  | SBR0  |
|         |         | Write: |       |         |       |       |       |       |       |       |
| \$00CA  | SCI0CR1 | Read:  | LOOPS | SCISWAI | RSRC  | M     | WAKE  | ILT   | PE    | PT    |
|         |         | Write: |       |         |       |       |       |       |       |       |
| \$00CB  | SCI0CR2 | Read:  | TIE   | TCIE    | RIE   | ILIE  | TE    | RE    | RWU   | SBK   |
|         |         | Write: |       |         |       |       |       |       |       |       |
| \$00CC  | SCI0SR1 | Read:  | TDRE  | TC      | RDRF  | IDLE  | OR    | NF    | FE    | PF    |
|         |         | Write: |       |         |       |       |       |       |       |       |
| \$00CD  | SCI0SR2 | Read:  | 0     | 0       | 0     | 0     | 0     | BRK13 | TXDIR | RAF   |
|         |         | Write: |       |         |       |       |       |       |       |       |
| \$00CE  | SCI0DRH | Read:  | R8    | T8      | 0     | 0     | 0     | 0     | 0     | 0     |
|         |         | Write: |       |         |       |       |       |       |       |       |
| \$00CF  | SCI0DRL | Read:  | R7    | R6      | R5    | R4    | R3    | R2    | R1    | R0    |
|         |         | Write: | T7    | T6      | T5    | T4    | T3    | T2    | T1    | T0    |

**\$00D0 - \$00D7**

**SCI1 (Asynchronous Serial Interface)**

| Address | Name    |        | Bit 7 | Bit 6   | Bit 5 | Bit 4 | Bit 3 | Bit 2 | Bit 1 | Bit 0 |
|---------|---------|--------|-------|---------|-------|-------|-------|-------|-------|-------|
| \$00D0  | SCI1BDH | Read:  | 0     | 0       | 0     | SBR12 | SBR11 | SBR10 | SBR9  | SBR8  |
|         |         | Write: |       |         |       |       |       |       |       |       |
| \$00D1  | SCI1BDL | Read:  | SBR7  | SBR6    | SBR5  | SBR4  | SBR3  | SBR2  | SBR1  | SBR0  |
|         |         | Write: |       |         |       |       |       |       |       |       |
| \$00D2  | SCI1CR1 | Read:  | LOOPS | SCISWAI | RSRC  | M     | WAKE  | ILT   | PE    | PT    |
|         |         | Write: |       |         |       |       |       |       |       |       |
| \$00D3  | SCI1CR2 | Read:  | TIE   | TCIE    | RIE   | ILIE  | TE    | RE    | RWU   | SBK   |
|         |         | Write: |       |         |       |       |       |       |       |       |
| \$00D4  | SCI1SR1 | Read:  | TDRE  | TC      | RDRF  | IDLE  | OR    | NF    | FE    | PF    |
|         |         | Write: |       |         |       |       |       |       |       |       |
| \$00D5  | SCI1SR2 | Read:  | 0     | 0       | 0     | 0     | 0     | BRK13 | TXDIR | RAF   |
|         |         | Write: |       |         |       |       |       |       |       |       |
| \$00D6  | SCI1DRH | Read:  | R8    | T8      | 0     | 0     | 0     | 0     | 0     | 0     |
|         |         | Write: |       |         |       |       |       |       |       |       |
| \$00D7  | SCI1DRL | Read:  | R7    | R6      | R5    | R4    | R3    | R2    | R1    | R0    |
|         |         | Write: | T7    | T6      | T5    | T4    | T3    | T2    | T1    | T0    |

**\$00D8 - \$00DF**

**SPI0 (Serial Peripheral Interface)**

| Address | Name    |        | Bit 7 | Bit 6 | Bit 5 | Bit 4  | Bit 3   | Bit 2 | Bit 1   | Bit 0 |
|---------|---------|--------|-------|-------|-------|--------|---------|-------|---------|-------|
| \$00D8  | SPI0CR1 | Read:  | SPIE  | SPE   | SPTIE | MSTR   | CPOL    | CPHA  | SSOE    | LSBFE |
|         |         | Write: |       |       |       |        |         |       |         |       |
| \$00D9  | SPI0CR2 | Read:  | 0     | 0     | 0     | MODFEN | BIDIROE | 0     | SPISWAI | SPC0  |
|         |         | Write: |       |       |       |        |         |       |         |       |
| \$00DA  | SPI0BR  | Read:  | 0     | SPPR2 | SPPR1 | SPPR0  | 0       | SPR2  | SPR1    | SPR0  |
|         |         | Write: |       |       |       |        |         |       |         |       |
| \$00DB  | SPI0SR  | Read:  | SPIF  | 0     | SPTEF | MODF   | 0       | 0     | 0       | 0     |
|         |         | Write: |       |       |       |        |         |       |         |       |

**\$00D8 - \$00DF**

**SPI0 (Serial Peripheral Interface)**

| Address | Name     |        | Bit 7 | Bit 6 | Bit 5 | Bit 4 | Bit 3 | Bit 2 | Bit 1 | Bit 0 |
|---------|----------|--------|-------|-------|-------|-------|-------|-------|-------|-------|
| \$00DC  | Reserved | Read:  | 0     | 0     | 0     | 0     | 0     | 0     | 0     | 0     |
|         |          | Write: |       |       |       |       |       |       |       |       |
| \$00DD  | SPI0DR   | Read:  | Bit7  | 6     | 5     | 4     | 3     | 2     | 1     | Bit0  |
|         |          | Write: |       |       |       |       |       |       |       |       |
| \$00DE  | Reserved | Read:  | 0     | 0     | 0     | 0     | 0     | 0     | 0     | 0     |
|         |          | Write: |       |       |       |       |       |       |       |       |
| \$00DF  | Reserved | Read:  | 0     | 0     | 0     | 0     | 0     | 0     | 0     | 0     |
|         |          | Write: |       |       |       |       |       |       |       |       |

**\$00E0 - \$00E7**

**IIC (Inter IC Bus)**

| Address | Name     |        | Bit 7 | Bit 6 | Bit 5 | Bit 4 | Bit 3 | Bit 2 | Bit 1 | Bit 0  |
|---------|----------|--------|-------|-------|-------|-------|-------|-------|-------|--------|
| \$00E0  | IBAD     | Read:  | ADR7  | ADR6  | ADR5  | ADR4  | ADR3  | ADR2  | ADR1  | 0      |
|         |          | Write: |       |       |       |       |       |       |       |        |
| \$00E1  | IBFD     | Read:  | IBC7  | IBC6  | IBC5  | IBC4  | IBC3  | IBC2  | IBC1  | IBC0   |
|         |          | Write: |       |       |       |       |       |       |       |        |
| \$00E2  | IBCR     | Read:  | IBEN  | IBIE  | MS/SL | TX/RX | TXAK  | 0     | 0     | IBSWAI |
|         |          | Write: |       |       |       |       |       | RSTA  |       |        |
| \$00E3  | IBSR     | Read:  | TCF   | IAAS  | IBB   | IBAL  | 0     | SRW   | IBIF  | RXAK   |
|         |          | Write: |       |       |       |       |       |       |       |        |
| \$00E4  | IBDR     | Read:  | D7    | D6    | D5    | D4    | D3    | D2    | D1    | D0     |
|         |          | Write: |       |       |       |       |       |       |       |        |
| \$00E5  | Reserved | Read:  | 0     | 0     | 0     | 0     | 0     | 0     | 0     | 0      |
|         |          | Write: |       |       |       |       |       |       |       |        |
| \$00E6  | Reserved | Read:  | 0     | 0     | 0     | 0     | 0     | 0     | 0     | 0      |
|         |          | Write: |       |       |       |       |       |       |       |        |
| \$00E7  | Reserved | Read:  | 0     | 0     | 0     | 0     | 0     | 0     | 0     | 0      |
|         |          | Write: |       |       |       |       |       |       |       |        |

**\$00E8 - \$00EF**

**BDLC (Bytelevel Data Link Controller J1850)**

| Address | Name     |        | Bit 7 | Bit 6 | Bit 5 | Bit 4 | Bit 3 | Bit 2 | Bit 1  | Bit 0  |
|---------|----------|--------|-------|-------|-------|-------|-------|-------|--------|--------|
| \$00E8  | DLCBCR1  | Read:  | IMSG  | CLKS  | 0     | 0     | 0     | 0     | IE     | WCM    |
|         |          | Write: |       |       |       |       |       |       |        |        |
| \$00E9  | DLCBSVR  | Read:  | 0     | 0     | I3    | I2    | I1    | I0    | 0      | 0      |
|         |          | Write: |       |       |       |       |       |       |        |        |
| \$00EA  | DLCBCR2  | Read:  | SMRST | DLOOP | RX4XE | NBFS  | TEOD  | TSIFR | TMIFR1 | TMIFR0 |
|         |          | Write: |       |       |       |       |       |       |        |        |
| \$00EB  | DLCBDR   | Read:  | D7    | D6    | D5    | D4    | D3    | D2    | D1     | D0     |
|         |          | Write: |       |       |       |       |       |       |        |        |
| \$00EC  | DLCBARD  | Read:  | 0     | RXPOL | 0     | 0     | BO3   | BO2   | BO1    | BO0    |
|         |          | Write: |       |       |       |       |       |       |        |        |
| \$00ED  | DLCBRSR  | Read:  | 0     | 0     | R5    | R4    | R3    | R2    | R1     | R0     |
|         |          | Write: |       |       |       |       |       |       |        |        |
| \$00EE  | DLCSCR   | Read:  | 0     | 0     | 0     | BDLCE | 0     | 0     | 0      | 0      |
|         |          | Write: |       |       |       |       |       |       |        |        |
| \$00EF  | DLCBSTAT | Read:  | 0     | 0     | 0     | 0     | 0     | 0     | 0      | IDLE   |
|         |          | Write: |       |       |       |       |       |       |        |        |



**\$00F0 - \$00F7**

**SPI1 (Serial Peripheral Interface)**

| Address | Name     |        | Bit 7 | Bit 6 | Bit 5 | Bit 4  | Bit 3   | Bit 2 | Bit 1   | Bit 0 |
|---------|----------|--------|-------|-------|-------|--------|---------|-------|---------|-------|
| \$00F0  | SPI1CR1  | Read:  | SPIE  | SPE   | SPTIE | MSTR   | CPOL    | CPHA  | SSOE    | LSBFE |
|         |          | Write: |       |       |       |        |         |       |         |       |
| \$00F1  | SPI1CR2  | Read:  | 0     | 0     | 0     | MODFEN | BIDIROE | 0     | SPISWAI | SPC0  |
|         |          | Write: |       |       |       |        |         |       |         |       |
| \$00F2  | SPI1BR   | Read:  | 0     | SPPR2 | SPPR1 | SPPR0  | 0       | SPR2  | SPR1    | SPR0  |
|         |          | Write: |       |       |       |        |         |       |         |       |
| \$00F3  | SPI1SR   | Read:  | SPIF  | 0     | SPTEF | MODF   | 0       | 0     | 0       | 0     |
|         |          | Write: |       |       |       |        |         |       |         |       |
| \$00F4  | Reserved | Read:  | 0     | 0     | 0     | 0      | 0       | 0     | 0       | 0     |
|         |          | Write: |       |       |       |        |         |       |         |       |
| \$00F5  | SPI1DR   | Read:  | Bit7  | 6     | 5     | 4      | 3       | 2     | 1       | Bit0  |
|         |          | Write: |       |       |       |        |         |       |         |       |
| \$00F6  | Reserved | Read:  | 0     | 0     | 0     | 0      | 0       | 0     | 0       | 0     |
|         |          | Write: |       |       |       |        |         |       |         |       |
| \$00F7  | Reserved | Read:  | 0     | 0     | 0     | 0      | 0       | 0     | 0       | 0     |
|         |          | Write: |       |       |       |        |         |       |         |       |

**\$00F8 - \$00FF**

**SPI2 (Serial Peripheral Interface)**

| Address | Name     |        | Bit 7 | Bit 6 | Bit 5 | Bit 4  | Bit 3   | Bit 2 | Bit 1   | Bit 0 |
|---------|----------|--------|-------|-------|-------|--------|---------|-------|---------|-------|
| \$00F8  | SPI2CR1  | Read:  | SPIE  | SPE   | SPTIE | MSTR   | CPOL    | CPHA  | SSOE    | LSBFE |
|         |          | Write: |       |       |       |        |         |       |         |       |
| \$00F9  | SPI2CR2  | Read:  | 0     | 0     | 0     | MODFEN | BIDIROE | 0     | SPISWAI | SPC0  |
|         |          | Write: |       |       |       |        |         |       |         |       |
| \$00FA  | SPI2BR   | Read:  | 0     | SPPR2 | SPPR1 | SPPR0  | 0       | SPR2  | SPR1    | SPR0  |
|         |          | Write: |       |       |       |        |         |       |         |       |
| \$00FB  | SPI2SR   | Read:  | SPIF  | 0     | SPTEF | MODF   | 0       | 0     | 0       | 0     |
|         |          | Write: |       |       |       |        |         |       |         |       |
| \$00FC  | Reserved | Read:  | 0     | 0     | 0     | 0      | 0       | 0     | 0       | 0     |
|         |          | Write: |       |       |       |        |         |       |         |       |
| \$00FD  | SPI2DR   | Read:  | Bit7  | 6     | 5     | 4      | 3       | 2     | 1       | Bit0  |
|         |          | Write: |       |       |       |        |         |       |         |       |
| \$00FE  | Reserved | Read:  | 0     | 0     | 0     | 0      | 0       | 0     | 0       | 0     |
|         |          | Write: |       |       |       |        |         |       |         |       |
| \$00FF  | Reserved | Read:  | 0     | 0     | 0     | 0      | 0       | 0     | 0       | 0     |
|         |          | Write: |       |       |       |        |         |       |         |       |

**\$0100 - \$010F**

**Flash Control Register (fts256k)**

| Address | Name    |        | Bit 7  | Bit 6  | Bit 5  | Bit 4 | Bit 3 | Bit 2 | Bit 1  | Bit 0  |       |
|---------|---------|--------|--------|--------|--------|-------|-------|-------|--------|--------|-------|
| \$0100  | FCLKDIV | Read:  | FDIVLD |        | PRDIV8 | FDIV5 | FDIV4 | FDIV3 | FDIV2  | FDIV1  | FDIV0 |
|         |         | Write: |        |        |        |       |       |       |        |        |       |
| \$0101  | FSEC    | Read:  | KEYEN1 | KEYEN0 | NV5    | NV4   | NV3   | NV2   | SEC1   | SEC0   |       |
|         |         | Write: |        |        |        |       |       |       |        |        |       |
| \$0102  | FTSTMOD | Read:  | 0      | 0      | 0      | WRALL | 0     | 0     | 0      | 0      |       |
|         |         | Write: |        |        |        |       |       |       |        |        |       |
| \$0103  | FCNFG   | Read:  | CBEIE  | CCIE   | KEYACC | 0     | 0     | 0     | BKSEL1 | BKSEL0 |       |
|         |         | Write: |        |        |        |       |       |       |        |        |       |

**\$0100 - \$010F**

**Flash Control Register (fts256k)**

| Address | Name                         |        | Bit 7  | Bit 6  | Bit 5  | Bit 4  | Bit 3 | Bit 2  | Bit 1 | Bit 0 |
|---------|------------------------------|--------|--------|--------|--------|--------|-------|--------|-------|-------|
| \$0104  | FPROT                        | Read:  | FPOPEN | NV6    | FPHDIS | FPHS1  | FPHS0 | FPLDIS | FPLS1 | FPLS0 |
|         |                              | Write: |        |        |        |        |       |        |       |       |
| \$0105  | FSTAT                        | Read:  | CBEIF  | CCIF   | PVIOL  | ACCERR | 0     | BLANK  | 0     | 0     |
|         |                              | Write: |        |        |        |        |       |        |       |       |
| \$0106  | FCMD                         | Read:  | 0      | CMDB6  | CMDB5  | 0      | 0     | CMDB2  | 0     | CMDB0 |
|         |                              | Write: |        |        |        |        |       |        |       |       |
| \$0107  | Reserved for<br>Factory Test | Read:  | 0      | 0      | 0      | 0      | 0     | 0      | 0     | 0     |
|         |                              | Write: |        |        |        |        |       |        |       |       |
| \$0108  | FADDRHI                      | Read:  | 0      | Bit 14 | 13     | 12     | 11    | 10     | 9     | Bit 8 |
|         |                              | Write: |        |        |        |        |       |        |       |       |
| \$0109  | FADDRLO                      | Read:  | Bit 7  | 6      | 5      | 4      | 3     | 2      | 1     | Bit 0 |
|         |                              | Write: |        |        |        |        |       |        |       |       |
| \$010A  | FDATAHI                      | Read:  | Bit 15 | 14     | 13     | 12     | 11    | 10     | 9     | Bit 8 |
|         |                              | Write: |        |        |        |        |       |        |       |       |
| \$010B  | FDATALO                      | Read:  | Bit 7  | 6      | 5      | 4      | 3     | 2      | 1     | Bit 0 |
|         |                              | Write: |        |        |        |        |       |        |       |       |
| \$010C  | Reserved                     | Read:  | 0      | 0      | 0      | 0      | 0     | 0      | 0     | 0     |
|         |                              | Write: |        |        |        |        |       |        |       |       |
| \$010D  | Reserved                     | Read:  | 0      | 0      | 0      | 0      | 0     | 0      | 0     | 0     |
|         |                              | Write: |        |        |        |        |       |        |       |       |
| \$010E  | Reserved                     | Read:  | 0      | 0      | 0      | 0      | 0     | 0      | 0     | 0     |
|         |                              | Write: |        |        |        |        |       |        |       |       |
| \$010F  | Reserved                     | Read:  | 0      | 0      | 0      | 0      | 0     | 0      | 0     | 0     |
|         |                              | Write: |        |        |        |        |       |        |       |       |

**\$0110 - \$011B**

**EEPROM Control Register (eets4k)**

| Address | Name                         |        | Bit 7  | Bit 6  | Bit 5 | Bit 4  | Bit 3 | Bit 2 | Bit 1 | Bit 0 |
|---------|------------------------------|--------|--------|--------|-------|--------|-------|-------|-------|-------|
| \$0110  | ECLKDIV                      | Read:  | EDIVLD | PRDIV8 | EDIV5 | EDIV4  | EDIV3 | EDIV2 | EDIV1 | EDIV0 |
|         |                              | Write: |        |        |       |        |       |       |       |       |
| \$0111  | Reserved                     | Read:  | 0      | 0      | 0     | 0      | 0     | 0     | 0     | 0     |
|         |                              | Write: |        |        |       |        |       |       |       |       |
| \$0112  | Reserved for<br>Factory Test | Read:  | 0      | 0      | 0     | 0      | 0     | 0     | 0     | 0     |
|         |                              | Write: |        |        |       |        |       |       |       |       |
| \$0113  | ECNFG                        | Read:  | CBEIE  | CCIE   | 0     | 0      | 0     | 0     | 0     | 0     |
|         |                              | Write: |        |        |       |        |       |       |       |       |
| \$0114  | EPROT                        | Read:  | EPOPEN | NV6    | NV5   | NV4    | EPDIS | EP2   | EP1   | EP0   |
|         |                              | Write: |        |        |       |        |       |       |       |       |
| \$0115  | ESTAT                        | Read:  | CBEIF  | CCIF   | PVIOL | ACCERR | 0     | BLANK | 0     | 0     |
|         |                              | Write: |        |        |       |        |       |       |       |       |
| \$0116  | ECMD                         | Read:  | 0      | CMDB6  | CMDB5 | 0      | 0     | CMDB2 | 0     | CMDB0 |
|         |                              | Write: |        |        |       |        |       |       |       |       |
| \$0117  | Reserved for<br>Factory Test | Read:  | 0      | 0      | 0     | 0      | 0     | 0     | 0     | 0     |
|         |                              | Write: |        |        |       |        |       |       |       |       |
| \$0118  | EADDRHI                      | Read:  | 0      | 0      | 0     | 0      | 0     | 10    | 9     | Bit 8 |
|         |                              | Write: |        |        |       |        |       |       |       |       |

**\$0110 - \$011B**

**EEPROM Control Register (eets4k)**

| Address | Name    |        | Bit 7  | Bit 6 | Bit 5 | Bit 4 | Bit 3 | Bit 2 | Bit 1 | Bit 0 |
|---------|---------|--------|--------|-------|-------|-------|-------|-------|-------|-------|
| \$0119  | EADDRLO | Read:  | Bit 7  | 6     | 5     | 4     | 3     | 2     | 1     | Bit 0 |
|         |         | Write: |        |       |       |       |       |       |       |       |
| \$011A  | EDATAHI | Read:  | Bit 15 | 14    | 13    | 12    | 11    | 10    | 9     | Bit 8 |
|         |         | Write: |        |       |       |       |       |       |       |       |
| \$011B  | EDATALO | Read:  | Bit 7  | 6     | 5     | 4     | 3     | 2     | 1     | Bit 0 |
|         |         | Write: |        |       |       |       |       |       |       |       |

**\$011C - \$011F**

**Reserved for RAM Control Register**

| Address | Name     |        | Bit 7 | Bit 6 | Bit 5 | Bit 4 | Bit 3 | Bit 2 | Bit 1 | Bit 0 |
|---------|----------|--------|-------|-------|-------|-------|-------|-------|-------|-------|
| \$011C  | Reserved | Read:  | 0     | 0     | 0     | 0     | 0     | 0     | 0     | 0     |
|         |          | Write: |       |       |       |       |       |       |       |       |
| \$011D  | Reserved | Read:  | 0     | 0     | 0     | 0     | 0     | 0     | 0     | 0     |
|         |          | Write: |       |       |       |       |       |       |       |       |
| \$011E  | Reserved | Read:  | 0     | 0     | 0     | 0     | 0     | 0     | 0     | 0     |
|         |          | Write: |       |       |       |       |       |       |       |       |
| \$011F  | Reserved | Read:  | 0     | 0     | 0     | 0     | 0     | 0     | 0     | 0     |
|         |          | Write: |       |       |       |       |       |       |       |       |

**\$0120 - \$013F**

**ATD1 (Analog to Digital Converter 10 Bit 8 Channel)**

| Address | Name      |        | Bit 7 | Bit 6 | Bit 5 | Bit 4   | Bit 3  | Bit 2 | Bit 1 | Bit 0 |
|---------|-----------|--------|-------|-------|-------|---------|--------|-------|-------|-------|
| \$0120  | ATD1CTL0  | Read:  | 0     | 0     | 0     | 0       | 0      | 0     | 0     | 0     |
|         |           | Write: |       |       |       |         |        |       |       |       |
| \$0121  | ATD1CTL1  | Read:  | 0     | 0     | 0     | 0       | 0      | 0     | 0     | 0     |
|         |           | Write: |       |       |       |         |        |       |       |       |
| \$0122  | ATD1CTL2  | Read:  | ADPU  | AFFC  | AWAI  | ETRIGLE | ETRIGP | ETRIG | ASCIE | ASCIF |
|         |           | Write: |       |       |       |         |        |       |       |       |
| \$0123  | ATD1CTL3  | Read:  | 0     | S8C   | S4C   | S2C     | S1C    | FIFO  | FRZ1  | FRZ0  |
|         |           | Write: |       |       |       |         |        |       |       |       |
| \$0124  | ATD1CTL4  | Read:  | SRES8 | SMP1  | SMP0  | PRS4    | PRS3   | PRS2  | PRS1  | PRS0  |
|         |           | Write: |       |       |       |         |        |       |       |       |
| \$0125  | ATD1CTL5  | Read:  | DJM   | DSGN  | SCAN  | MULT    | 0      | CC    | CB    | CA    |
|         |           | Write: |       |       |       |         |        |       |       |       |
| \$0126  | ATD1STAT0 | Read:  | SCF   | 0     | ETORF | FIFOR   | 0      | CC2   | CC1   | CC0   |
|         |           | Write: |       |       |       |         |        |       |       |       |
| \$0127  | Reserved  | Read:  | 0     | 0     | 0     | 0       | 0      | 0     | 0     | 0     |
|         |           | Write: |       |       |       |         |        |       |       |       |
| \$0128  | ATD1TEST0 | Read:  | 0     | 0     | 0     | 0       | 0      | 0     | 0     | 0     |
|         |           | Write: |       |       |       |         |        |       |       |       |
| \$0129  | ATD1TEST1 | Read:  | 0     | 0     | 0     | 0       | 0      | 0     | 0     | SC    |
|         |           | Write: |       |       |       |         |        |       |       |       |
| \$012A  | Reserved  | Read:  | 0     | 0     | 0     | 0       | 0      | 0     | 0     | 0     |
|         |           | Write: |       |       |       |         |        |       |       |       |
| \$012B  | ATD1STAT1 | Read:  | CCF7  | CCF6  | CCF5  | CCF4    | CCF3   | CCF2  | CCF1  | CCF0  |
|         |           | Write: |       |       |       |         |        |       |       |       |
| \$012C  | Reserved  | Read:  | 0     | 0     | 0     | 0       | 0      | 0     | 0     | 0     |
|         |           | Write: |       |       |       |         |        |       |       |       |

**\$0120 - \$013F**

**ATD1 (Analog to Digital Converter 10 Bit 8 Channel)**

| Address | Name     |        | Bit 7 | Bit 6 | Bit 5 | Bit 4 | Bit 3 | Bit 2 | Bit 1 | Bit 0 |
|---------|----------|--------|-------|-------|-------|-------|-------|-------|-------|-------|
| \$012D  | ATD1DIEN | Read:  | Bit 7 | 6     | 5     | 4     | 3     | 2     | 1     | Bit 0 |
|         |          | Write: |       |       |       |       |       |       |       |       |
| \$012E  | Reserved | Read:  | 0     | 0     | 0     | 0     | 0     | 0     | 0     | 0     |
|         |          | Write: |       |       |       |       |       |       |       |       |
| \$012F  | PORTAD1  | Read:  | Bit7  | 6     | 5     | 4     | 3     | 2     | 1     | BIT 0 |
|         |          | Write: |       |       |       |       |       |       |       |       |
| \$0130  | ATD1DR0H | Read:  | Bit15 | 14    | 13    | 12    | 11    | 10    | 9     | Bit8  |
|         |          | Write: |       |       |       |       |       |       |       |       |
| \$0131  | ATD1DR0L | Read:  | Bit7  | Bit6  | 0     | 0     | 0     | 0     | 0     | 0     |
|         |          | Write: |       |       |       |       |       |       |       |       |
| \$0132  | ATD1DR1H | Read:  | Bit15 | 14    | 13    | 12    | 11    | 10    | 9     | Bit8  |
|         |          | Write: |       |       |       |       |       |       |       |       |
| \$0133  | ATD1DR1L | Read:  | Bit7  | Bit6  | 0     | 0     | 0     | 0     | 0     | 0     |
|         |          | Write: |       |       |       |       |       |       |       |       |
| \$0134  | ATD1DR2H | Read:  | Bit15 | 14    | 13    | 12    | 11    | 10    | 9     | Bit8  |
|         |          | Write: |       |       |       |       |       |       |       |       |
| \$0135  | ATD1DR2L | Read:  | Bit7  | Bit6  | 0     | 0     | 0     | 0     | 0     | 0     |
|         |          | Write: |       |       |       |       |       |       |       |       |
| \$0136  | ATD1DR3H | Read:  | Bit15 | 14    | 13    | 12    | 11    | 10    | 9     | Bit8  |
|         |          | Write: |       |       |       |       |       |       |       |       |
| \$0137  | ATD1DR3L | Read:  | Bit7  | Bit6  | 0     | 0     | 0     | 0     | 0     | 0     |
|         |          | Write: |       |       |       |       |       |       |       |       |
| \$0138  | ATD1DR4H | Read:  | Bit15 | 14    | 13    | 12    | 11    | 10    | 9     | Bit8  |
|         |          | Write: |       |       |       |       |       |       |       |       |
| \$0139  | ATD1DR4L | Read:  | Bit7  | Bit6  | 0     | 0     | 0     | 0     | 0     | 0     |
|         |          | Write: |       |       |       |       |       |       |       |       |
| \$013A  | ATD1DR5H | Read:  | Bit15 | 14    | 13    | 12    | 11    | 10    | 9     | Bit8  |
|         |          | Write: |       |       |       |       |       |       |       |       |
| \$013B  | ATD1DR5L | Read:  | Bit7  | Bit6  | 0     | 0     | 0     | 0     | 0     | 0     |
|         |          | Write: |       |       |       |       |       |       |       |       |
| \$013C  | ATD1DR6H | Read:  | Bit15 | 14    | 13    | 12    | 11    | 10    | 9     | Bit8  |
|         |          | Write: |       |       |       |       |       |       |       |       |
| \$013D  | ATD1DR6L | Read:  | Bit7  | Bit6  | 0     | 0     | 0     | 0     | 0     | 0     |
|         |          | Write: |       |       |       |       |       |       |       |       |
| \$013E  | ATD1DR7H | Read:  | Bit15 | 14    | 13    | 12    | 11    | 10    | 9     | Bit8  |
|         |          | Write: |       |       |       |       |       |       |       |       |
| \$013F  | ATD1DR7L | Read:  | Bit7  | Bit6  | 0     | 0     | 0     | 0     | 0     | 0     |
|         |          | Write: |       |       |       |       |       |       |       |       |

**\$0140 - \$017F**

**CAN0 (Motorola Scalable CAN - MSCAN)**

| Address | Name     |        | Bit 7 | Bit 6  | Bit 5 | Bit 4  | Bit 3 | Bit 2 | Bit 1 | Bit 0  |
|---------|----------|--------|-------|--------|-------|--------|-------|-------|-------|--------|
| \$0140  | CAN0CTL0 | Read:  | RXFRM | RXACT  | CSWAI | SYNCH  | TIME  | WUPE  | SLPRQ | INITRQ |
|         |          | Write: |       |        |       |        |       |       |       |        |
| \$0141  | CAN0CTL1 | Read:  | CANE  | CLKSRC | LOOPB | LISTEN | 0     | WUPM  | SLPAK | INITAK |
|         |          | Write: |       |        |       |        |       |       |       |        |
| \$0142  | CAN0BTR0 | Read:  | SJW1  | SJW0   | BRP5  | BRP4   | BRP3  | BRP2  | BRP1  | BRP0   |
|         |          | Write: |       |        |       |        |       |       |       |        |

\$0140 - \$017F

CAN0 (Motorola Scalable CAN - MSCAN)

| Address         | Name                  |        | Bit 7                                    | Bit 6  | Bit 5   | Bit 4   | Bit 3   | Bit 2   | Bit 1  | Bit 0  |
|-----------------|-----------------------|--------|------------------------------------------|--------|---------|---------|---------|---------|--------|--------|
| \$0143          | CAN0BTR1              | Read:  | SAMP                                     | TSEG22 | TSEG21  | TSEG20  | TSEG13  | TSEG12  | TSEG11 | TSEG10 |
|                 |                       | Write: |                                          |        |         |         |         |         |        |        |
| \$0144          | CAN0RFLG              | Read:  | WUPIF                                    | CSCIF  | RSTAT1  | RSTAT0  | TSTAT1  | TSTAT0  | OVRIF  | RXF    |
|                 |                       | Write: |                                          |        |         |         |         |         |        |        |
| \$0145          | CAN0RIER              | Read:  | WUPIE                                    | CSCIE  | RSTATE1 | RSTATE0 | TSTATE1 | TSTATE0 | OVRIE  | RXFIE  |
|                 |                       | Write: |                                          |        |         |         |         |         |        |        |
| \$0146          | CAN0TFLG              | Read:  | 0                                        | 0      | 0       | 0       | 0       | TXE2    | TXE1   | TXE0   |
|                 |                       | Write: |                                          |        |         |         |         |         |        |        |
| \$0147          | CAN0TIER              | Read:  | 0                                        | 0      | 0       | 0       | 0       | TXEIE2  | TXEIE1 | TXEIE0 |
|                 |                       | Write: |                                          |        |         |         |         |         |        |        |
| \$0148          | CAN0TARQ              | Read:  | 0                                        | 0      | 0       | 0       | 0       | ABTRQ2  | ABTRQ1 | ABTRQ0 |
|                 |                       | Write: |                                          |        |         |         |         |         |        |        |
| \$0149          | CAN0TAAK              | Read:  | 0                                        | 0      | 0       | 0       | 0       | ABTAK2  | ABTAK1 | ABTAK0 |
|                 |                       | Write: |                                          |        |         |         |         |         |        |        |
| \$014A          | CAN0TBSEL             | Read:  | 0                                        | 0      | 0       | 0       | 0       | TX2     | TX1    | TX0    |
|                 |                       | Write: |                                          |        |         |         |         |         |        |        |
| \$014B          | CAN0IDAC              | Read:  | 0                                        | 0      | IDAM1   | IDAM0   | 0       | IDHIT2  | IDHIT1 | IDHIT0 |
|                 |                       | Write: |                                          |        |         |         |         |         |        |        |
| \$014C          | Reserved              | Read:  | 0                                        | 0      | 0       | 0       | 0       | 0       | 0      | 0      |
|                 |                       | Write: |                                          |        |         |         |         |         |        |        |
| \$014D          | Reserved              | Read:  | 0                                        | 0      | 0       | 0       | 0       | 0       | 0      | 0      |
|                 |                       | Write: |                                          |        |         |         |         |         |        |        |
| \$014E          | CAN0RXERR             | Read:  | RXERR7                                   | RXERR6 | RXERR5  | RXERR4  | RXERR3  | RXERR2  | RXERR1 | RXERR0 |
|                 |                       | Write: |                                          |        |         |         |         |         |        |        |
| \$014F          | CAN0TXERR             | Read:  | TXERR7                                   | TXERR6 | TXERR5  | TXERR4  | TXERR3  | TXERR2  | TXERR1 | TXERR0 |
|                 |                       | Write: |                                          |        |         |         |         |         |        |        |
| \$0150 - \$0153 | CAN0IDAR0 - CAN0IDAR3 | Read:  | AC7                                      | AC6    | AC5     | AC4     | AC3     | AC2     | AC1    | AC0    |
|                 |                       | Write: |                                          |        |         |         |         |         |        |        |
| \$0154 - \$0157 | CAN0IDMR0 - CAN0IDMR3 | Read:  | AM7                                      | AM6    | AM5     | AM4     | AM3     | AM2     | AM1    | AM0    |
|                 |                       | Write: |                                          |        |         |         |         |         |        |        |
| \$0158 - \$015B | CAN0IDAR4 - CAN0IDAR7 | Read:  | AC7                                      | AC6    | AC5     | AC4     | AC3     | AC2     | AC1    | AC0    |
|                 |                       | Write: |                                          |        |         |         |         |         |        |        |
| \$015C - \$015F | CAN0IDMR4 - CAN0IDMR7 | Read:  | AM7                                      | AM6    | AM5     | AM4     | AM3     | AM2     | AM1    | AM0    |
|                 |                       | Write: |                                          |        |         |         |         |         |        |        |
| \$0160 - \$016F | CAN0RXFG              | Read:  | FOREGROUND RECEIVE BUFFER see Table 1-2  |        |         |         |         |         |        |        |
|                 |                       | Write: |                                          |        |         |         |         |         |        |        |
| \$0170 - \$017F | CAN0TXFG              | Read:  | FOREGROUND TRANSMIT BUFFER see Table 1-2 |        |         |         |         |         |        |        |
|                 |                       | Write: |                                          |        |         |         |         |         |        |        |

Table 1-2 Detailed MSCAN Foreground Receive and Transmit Buffer Layout

| Address | Name        |        | Bit 7 | Bit 6 | Bit 5 | Bit 4 | Bit 3 | Bit 2 | Bit 1 | Bit 0 |
|---------|-------------|--------|-------|-------|-------|-------|-------|-------|-------|-------|
| \$xxx0  | Extended ID | Read:  | ID28  | ID27  | ID26  | ID25  | ID24  | ID23  | ID22  | ID21  |
|         | Standard ID | Read:  | ID10  | ID9   | ID8   | ID7   | ID6   | ID5   | ID4   | ID3   |
|         | CANxRIDR0   | Write: |       |       |       |       |       |       |       |       |
| \$xxx1  | Extended ID | Read:  | ID20  | ID19  | ID18  | SRR=1 | IDE=1 | ID17  | ID16  | ID15  |
|         | Standard ID | Read:  | ID2   | ID1   | ID0   | RTR   | IDE=0 |       |       |       |
|         | CANxRIDR1   | Write: |       |       |       |       |       |       |       |       |

**Table 1-2 Detailed MSCAN Foreground Receive and Transmit Buffer Layout**

| Address       | Name        |        | Bit 7 | Bit 6 | Bit 5 | Bit 4 | Bit 3 | Bit 2 | Bit 1 | Bit 0 |
|---------------|-------------|--------|-------|-------|-------|-------|-------|-------|-------|-------|
| \$xxx2        | Extended ID | Read:  | ID14  | ID13  | ID12  | ID11  | ID10  | ID9   | ID8   | ID7   |
|               | Standard ID | Read:  |       |       |       |       |       |       |       |       |
| \$xxx3        | CANxRIDR2   | Write: |       |       |       |       |       |       |       |       |
|               | Extended ID | Read:  | ID6   | ID5   | ID4   | ID3   | ID2   | ID1   | ID0   | RTR   |
| \$xxx4-\$xxxB | Standard ID | Read:  |       |       |       |       |       |       |       |       |
|               | CANxRIDR3   | Write: |       |       |       |       |       |       |       |       |
| \$xxx4-\$xxxB | CANxRDSR0 - | Read:  | DB7   | DB6   | DB5   | DB4   | DB3   | DB2   | DB1   | DB0   |
|               | CANxRDSR7   | Write: |       |       |       |       |       |       |       |       |
| \$xxxC        | CANRxDLR    | Read:  |       |       |       |       | DLC3  | DLC2  | DLC1  | DLC0  |
|               |             | Write: |       |       |       |       |       |       |       |       |
| \$xxxD        | Reserved    | Read:  |       |       |       |       |       |       |       |       |
|               |             | Write: |       |       |       |       |       |       |       |       |
| \$xxxE        | CANxRTSRH   | Read:  | TSR15 | TSR14 | TSR13 | TSR12 | TSR11 | TSR10 | TSR9  | TSR8  |
|               |             | Write: |       |       |       |       |       |       |       |       |
| \$xxxF        | CANxRTSRL   | Read:  | TSR7  | TSR6  | TSR5  | TSR4  | TSR3  | TSR2  | TSR1  | TSR0  |
|               |             | Write: |       |       |       |       |       |       |       |       |
| \$xx10        | Extended ID | Read:  | ID28  | ID27  | ID26  | ID25  | ID24  | ID23  | ID22  | ID21  |
|               | CANxTIDR0   | Write: |       |       |       |       |       |       |       |       |
| \$xx10        | Standard ID | Read:  | ID10  | ID9   | ID8   | ID7   | ID6   | ID5   | ID4   | ID3   |
|               | Write:      |        |       |       |       |       |       |       |       |       |
| \$xx10        | Extended ID | Read:  | ID20  | ID19  | ID18  | SRR=1 | IDE=1 | ID17  | ID16  | ID15  |
|               | CANxTIDR1   | Write: |       |       |       |       |       |       |       |       |
| \$xx10        | Standard ID | Read:  | ID2   | ID1   | ID0   | RTR   | IDE=0 |       |       |       |
|               | Write:      |        |       |       |       |       |       |       |       |       |
| \$xx12        | Extended ID | Read:  | ID14  | ID13  | ID12  | ID11  | ID10  | ID9   | ID8   | ID7   |
|               | CANxTIDR2   | Write: |       |       |       |       |       |       |       |       |
| \$xx12        | Standard ID | Read:  |       |       |       |       |       |       |       |       |
|               | Write:      |        |       |       |       |       |       |       |       |       |
| \$xx13        | Extended ID | Read:  | ID6   | ID5   | ID4   | ID3   | ID2   | ID1   | ID0   | RTR   |
|               | CANxTIDR3   | Write: |       |       |       |       |       |       |       |       |
| \$xx13        | Standard ID | Read:  |       |       |       |       |       |       |       |       |
|               | Write:      |        |       |       |       |       |       |       |       |       |
| \$xx14-\$xx1B | CANxTDSR0 - | Read:  | DB7   | DB6   | DB5   | DB4   | DB3   | DB2   | DB1   | DB0   |
|               | CANxTDSR7   | Write: |       |       |       |       |       |       |       |       |
| \$xx1C        | CANxTDLR    | Read:  |       |       |       |       | DLC3  | DLC2  | DLC1  | DLC0  |
|               |             | Write: |       |       |       |       |       |       |       |       |
| \$xx1D        | CONxTTBPR   | Read:  | PRI07 | PRI06 | PRI05 | PRI04 | PRI03 | PRI02 | PRI01 | PRI00 |
|               |             | Write: |       |       |       |       |       |       |       |       |
| \$xx1E        | CANxTTSRH   | Read:  | TSR15 | TSR14 | TSR13 | TSR12 | TSR11 | TSR10 | TSR9  | TSR8  |
|               |             | Write: |       |       |       |       |       |       |       |       |
| \$xx1F        | CANxTTSRL   | Read:  | TSR7  | TSR6  | TSR5  | TSR4  | TSR3  | TSR2  | TSR1  | TSR0  |
|               |             | Write: |       |       |       |       |       |       |       |       |

**\$0180 - \$01BF**

**CAN1 (Motorola Scalable CAN - MSCAN)**

| Address | Name      |        | Bit 7  | Bit 6  | Bit 5   | Bit 4   | Bit 3   | Bit 2   | Bit 1  | Bit 0  |
|---------|-----------|--------|--------|--------|---------|---------|---------|---------|--------|--------|
| \$0180  | CAN1CTL0  | Read:  | RXFRM  | RXACT  | CSWAI   | SYNCH   | TIME    | WUPE    | SLPRQ  | INITRQ |
|         |           | Write: |        |        |         |         |         |         |        |        |
| \$0181  | CAN1CTL1  | Read:  | CANE   | CLKSRC | LOOPB   | LISTEN  | 0       | WUPM    | SLPAK  | INITAK |
|         |           | Write: |        |        |         |         |         |         |        |        |
| \$0182  | CAN1BTR0  | Read:  | SJW1   | SJW0   | BRP5    | BRP4    | BRP3    | BRP2    | BRP1   | BRP0   |
|         |           | Write: |        |        |         |         |         |         |        |        |
| \$0183  | CAN1BTR1  | Read:  | SAMP   | TSEG22 | TSEG21  | TSEG20  | TSEG13  | TSEG12  | TSEG11 | TSEG10 |
|         |           | Write: |        |        |         |         |         |         |        |        |
| \$0184  | CAN1RFLG  | Read:  | WUPIF  | CSCIF  | RSTAT1  | RSTAT0  | TSTAT1  | TSTAT0  | OVRIF  | RXF    |
|         |           | Write: |        |        |         |         |         |         |        |        |
| \$0185  | CAN1RIER  | Read:  | WUPIE  | CSCIE  | RSTATE1 | RSTATE0 | TSTATE1 | TSTATE0 | OVRIE  | RXFIE  |
|         |           | Write: |        |        |         |         |         |         |        |        |
| \$0186  | CAN1TFLG  | Read:  | 0      | 0      | 0       | 0       | 0       | TXE2    | TXE1   | TXE0   |
|         |           | Write: |        |        |         |         |         |         |        |        |
| \$0187  | CAN1TIER  | Read:  | 0      | 0      | 0       | 0       | 0       | TXEIE2  | TXEIE1 | TXEIE0 |
|         |           | Write: |        |        |         |         |         |         |        |        |
| \$0188  | CAN1TARQ  | Read:  | 0      | 0      | 0       | 0       | 0       | ABTRQ2  | ABTRQ1 | ABTRQ0 |
|         |           | Write: |        |        |         |         |         |         |        |        |
| \$0189  | CAN1TAAK  | Read:  | 0      | 0      | 0       | 0       | 0       | ABTAK2  | ABTAK1 | ABTAK0 |
|         |           | Write: |        |        |         |         |         |         |        |        |
| \$018A  | CAN1TBSEL | Read:  | 0      | 0      | 0       | 0       | 0       | TX2     | TX1    | TX0    |
|         |           | Write: |        |        |         |         |         |         |        |        |
| \$018B  | CAN1IDAC  | Read:  | 0      | 0      | IDAM1   | IDAM0   | 0       | IDHIT2  | IDHIT1 | IDHIT0 |
|         |           | Write: |        |        |         |         |         |         |        |        |
| \$018C  | Reserved  | Read:  | 0      | 0      | 0       | 0       | 0       | 0       | 0      | 0      |
|         |           | Write: |        |        |         |         |         |         |        |        |
| \$018D  | Reserved  | Read:  | 0      | 0      | 0       | 0       | 0       | 0       | 0      | 0      |
|         |           | Write: |        |        |         |         |         |         |        |        |
| \$018E  | CAN1RXERR | Read:  | RXERR7 | RXERR6 | RXERR5  | RXERR4  | RXERR3  | RXERR2  | RXERR1 | RXERR0 |
|         |           | Write: |        |        |         |         |         |         |        |        |
| \$018F  | CAN1TXERR | Read:  | TXERR7 | TXERR6 | TXERR5  | TXERR4  | TXERR3  | TXERR2  | TXERR1 | TXERR0 |
|         |           | Write: |        |        |         |         |         |         |        |        |
| \$0190  | CAN1IDAR0 | Read:  | AC7    | AC6    | AC5     | AC4     | AC3     | AC2     | AC1    | AC0    |
|         |           | Write: |        |        |         |         |         |         |        |        |
| \$0191  | CAN1IDAR1 | Read:  | AC7    | AC6    | AC5     | AC4     | AC3     | AC2     | AC1    | AC0    |
|         |           | Write: |        |        |         |         |         |         |        |        |
| \$0192  | CAN1IDAR2 | Read:  | AC7    | AC6    | AC5     | AC4     | AC3     | AC2     | AC1    | AC0    |
|         |           | Write: |        |        |         |         |         |         |        |        |
| \$0193  | CAN1IDAR3 | Read:  | AC7    | AC6    | AC5     | AC4     | AC3     | AC2     | AC1    | AC0    |
|         |           | Write: |        |        |         |         |         |         |        |        |
| \$0194  | CAN1IDMR0 | Read:  | AM7    | AM6    | AM5     | AM4     | AM3     | AM2     | AM1    | AM0    |
|         |           | Write: |        |        |         |         |         |         |        |        |
| \$0195  | CAN1IDMR1 | Read:  | AM7    | AM6    | AM5     | AM4     | AM3     | AM2     | AM1    | AM0    |
|         |           | Write: |        |        |         |         |         |         |        |        |
| \$0196  | CAN1IDMR2 | Read:  | AM7    | AM6    | AM5     | AM4     | AM3     | AM2     | AM1    | AM0    |
|         |           | Write: |        |        |         |         |         |         |        |        |
| \$0197  | CAN1IDMR3 | Read:  | AM7    | AM6    | AM5     | AM4     | AM3     | AM2     | AM1    | AM0    |
|         |           | Write: |        |        |         |         |         |         |        |        |
| \$0198  | CAN1IDAR4 | Read:  | AC7    | AC6    | AC5     | AC4     | AC3     | AC2     | AC1    | AC0    |
|         |           | Write: |        |        |         |         |         |         |        |        |

**\$0180 - \$01BF**

**CAN1 (Motorola Scalable CAN - MSCAN)**

| Address            | Name      |                 | Bit 7                                           | Bit 6 | Bit 5 | Bit 4 | Bit 3 | Bit 2 | Bit 1 | Bit 0 |
|--------------------|-----------|-----------------|-------------------------------------------------|-------|-------|-------|-------|-------|-------|-------|
| \$0199             | CAN1IDAR5 | Read:<br>Write: | AC7                                             | AC6   | AC5   | AC4   | AC3   | AC2   | AC1   | AC0   |
| \$019A             | CAN1IDAR6 | Read:<br>Write: | AC7                                             | AC6   | AC5   | AC4   | AC3   | AC2   | AC1   | AC0   |
| \$019B             | CAN1IDAR7 | Read:<br>Write: | AC7                                             | AC6   | AC5   | AC4   | AC3   | AC2   | AC1   | AC0   |
| \$019C             | CAN1IDMR4 | Read:<br>Write: | AM7                                             | AM6   | AM5   | AM4   | AM3   | AM2   | AM1   | AM0   |
| \$019D             | CAN1IDMR5 | Read:<br>Write: | AM7                                             | AM6   | AM5   | AM4   | AM3   | AM2   | AM1   | AM0   |
| \$019E             | CAN1IDMR6 | Read:<br>Write: | AM7                                             | AM6   | AM5   | AM4   | AM3   | AM2   | AM1   | AM0   |
| \$019F             | CAN1IDMR7 | Read:<br>Write: | AM7                                             | AM6   | AM5   | AM4   | AM3   | AM2   | AM1   | AM0   |
| \$01A0 -<br>\$01AF | CAN1RXFG  | Read:<br>Write: | FOREGROUND RECEIVE BUFFER see <b>Table 1-2</b>  |       |       |       |       |       |       |       |
| \$01B0 -<br>\$01BF | CAN1TXFG  | Read:<br>Write: | FOREGROUND TRANSMIT BUFFER see <b>Table 1-2</b> |       |       |       |       |       |       |       |

**\$0240 - \$027F**

**PIM (Port Integration Module PIM\_9DP256)**

| Address | Name     |                 | Bit 7 | Bit 6 | Bit 5 | Bit 4 | Bit 3 | Bit 2 | Bit 1 | Bit 0 |
|---------|----------|-----------------|-------|-------|-------|-------|-------|-------|-------|-------|
| \$0240  | PTT      | Read:<br>Write: | PTT7  | PTT6  | PTT5  | PTT4  | PTT3  | PTT2  | PTT1  | PTT0  |
| \$0241  | PTIT     | Read:<br>Write: | PTIT7 | PTIT6 | PTIT5 | PTIT4 | PTIT3 | PTIT2 | PTIT1 | PTIT0 |
| \$0242  | DDRT     | Read:<br>Write: | DDRT7 | DDRT7 | DDRT5 | DDRT4 | DDRT3 | DDRT2 | DDRT1 | DDRT0 |
| \$0243  | RDRT     | Read:<br>Write: | RDRT7 | RDRT6 | RDRT5 | RDRT4 | RDRT3 | RDRT2 | RDRT1 | RDRT0 |
| \$0244  | PERT     | Read:<br>Write: | PERT7 | PERT6 | PERT5 | PERT4 | PERT3 | PERT2 | PERT1 | PERT0 |
| \$0245  | PPST     | Read:<br>Write: | PPST7 | PPST6 | PPST5 | PPST4 | PPST3 | PPST2 | PPST1 | PPST0 |
| \$0246  | Reserved | Read:<br>Write: | 0     | 0     | 0     | 0     | 0     | 0     | 0     | 0     |
| \$0247  | Reserved | Read:<br>Write: | 0     | 0     | 0     | 0     | 0     | 0     | 0     | 0     |
| \$0248  | PTS      | Read:<br>Write: | PTS7  | PTS6  | PTS5  | PTS4  | PTS3  | PTS2  | PTS1  | PTS0  |
| \$0249  | PTIS     | Read:<br>Write: | PTIS7 | PTIS6 | PTIS5 | PTIS4 | PTIS3 | PTIS2 | PTIS1 | PTIS0 |
| \$024A  | DDRS     | Read:<br>Write: | DDRS7 | DDRS7 | DDRS5 | DDRS4 | DDRS3 | DDRS2 | DDRS1 | DDRS0 |
| \$024B  | RDRS     | Read:<br>Write: | RDRS7 | RDRS6 | RDRS5 | RDRS4 | RDRS3 | RDRS2 | RDRS1 | RDRS0 |
| \$024C  | PERS     | Read:<br>Write: | PERS7 | PERS6 | PERS5 | PERS4 | PERS3 | PERS2 | PERS1 | PERS0 |



\$0240 - \$027F

PIM (Port Integration Module PIM\_9DP256)

| Address | Name     |        | Bit 7 | Bit 6  | Bit 5  | Bit 4  | Bit 3  | Bit 2  | Bit 1  | Bit 0  |
|---------|----------|--------|-------|--------|--------|--------|--------|--------|--------|--------|
| \$024D  | PPSS     | Read:  | PPSS7 | PPSS6  | PPSS5  | PPSS4  | PPSS3  | PPSS2  | PPSS1  | PPSS0  |
|         |          | Write: |       |        |        |        |        |        |        |        |
| \$024E  | WOMS     | Read:  | WOMS7 | WOMS6  | WOMS5  | WOMS4  | WOMS3  | WOMS2  | WOMS1  | WOMS0  |
|         |          | Write: |       |        |        |        |        |        |        |        |
| \$024F  | Reserved | Read:  | 0     | 0      | 0      | 0      | 0      | 0      | 0      | 0      |
|         |          | Write: |       |        |        |        |        |        |        |        |
| \$0250  | PTM      | Read:  | PTM7  | PTM6   | PTM5   | PTM4   | PTM3   | PTM2   | PTM1   | PTM0   |
|         |          | Write: |       |        |        |        |        |        |        |        |
| \$0251  | PTIM     | Read:  | PTIM7 | PTIM6  | PTIM5  | PTIM4  | PTIM3  | PTIM2  | PTIM1  | PTIM0  |
|         |          | Write: |       |        |        |        |        |        |        |        |
| \$0252  | DDRM     | Read:  | DDRM7 | DDRM7  | DDRM5  | DDRM4  | DDRM3  | DDRM2  | DDRM1  | DDRM0  |
|         |          | Write: |       |        |        |        |        |        |        |        |
| \$0253  | RDRM     | Read:  | RDRM7 | RDRM6  | RDRM5  | RDRM4  | RDRM3  | RDRM2  | RDRM1  | RDRM0  |
|         |          | Write: |       |        |        |        |        |        |        |        |
| \$0254  | PERM     | Read:  | PERM7 | PERM6  | PERM5  | PERM4  | PERM3  | PERM2  | PERM1  | PERM0  |
|         |          | Write: |       |        |        |        |        |        |        |        |
| \$0255  | PPSM     | Read:  | PPSM7 | PPSM6  | PPSM5  | PPSM4  | PPSM3  | PPSM2  | PPSM1  | PPSM0  |
|         |          | Write: |       |        |        |        |        |        |        |        |
| \$0256  | WOMM     | Read:  | WOMM7 | WOMM6  | WOMM5  | WOMM4  | WOMM3  | WOMM2  | WOMM1  | WOMM0  |
|         |          | Write: |       |        |        |        |        |        |        |        |
| \$0257  | MODRR    | Read:  | 0     | MODRR6 | MODRR5 | MODRR4 | MODRR3 | MODRR2 | MODRR1 | MODRR0 |
|         |          | Write: |       |        |        |        |        |        |        |        |
| \$0258  | PTP      | Read:  | PTP7  | PTP6   | PTP5   | PTP4   | PTP3   | PTP2   | PTP1   | PTP0   |
|         |          | Write: |       |        |        |        |        |        |        |        |
| \$0259  | PTIP     | Read:  | PTIP7 | PTIP6  | PTIP5  | PTIP4  | PTIP3  | PTIP2  | PTIP1  | PTIP0  |
|         |          | Write: |       |        |        |        |        |        |        |        |
| \$025A  | DDRP     | Read:  | DDRP7 | DDRP7  | DDRP5  | DDRP4  | DDRP3  | DDRP2  | DDRP1  | DDRP0  |
|         |          | Write: |       |        |        |        |        |        |        |        |
| \$025B  | RDRP     | Read:  | RDRP7 | RDRP6  | RDRP5  | RDRP4  | RDRP3  | RDRP2  | RDRP1  | RDRP0  |
|         |          | Write: |       |        |        |        |        |        |        |        |
| \$025C  | PERP     | Read:  | PERP7 | PERP6  | PERP5  | PERP4  | PERP3  | PERP2  | PERP1  | PERP0  |
|         |          | Write: |       |        |        |        |        |        |        |        |
| \$025D  | PPSP     | Read:  | PPSP7 | PPSP6  | PPSP5  | PPSP4  | PPSP3  | PPSP2  | PPSP1  | PPSS0  |
|         |          | Write: |       |        |        |        |        |        |        |        |
| \$025E  | PIEP     | Read:  | PIEP7 | PIEP6  | PIEP5  | PIEP4  | PIEP3  | PIEP2  | PIEP1  | PIEP0  |
|         |          | Write: |       |        |        |        |        |        |        |        |
| \$025F  | PIFP     | Read:  | PIFP7 | PIFP6  | PIFP5  | PIFP4  | PIFP3  | PIFP2  | PIFP1  | PIFP0  |
|         |          | Write: |       |        |        |        |        |        |        |        |
| \$0260  | PTH      | Read:  | PTH7  | PTH6   | PTH5   | PTH4   | PTH3   | PTH2   | PTH1   | PTH0   |
|         |          | Write: |       |        |        |        |        |        |        |        |
| \$0261  | PTIH     | Read:  | PTIH7 | PTIH6  | PTIH5  | PTIH4  | PTIH3  | PTIH2  | PTIH1  | PTIH0  |
|         |          | Write: |       |        |        |        |        |        |        |        |
| \$0262  | DDRH     | Read:  | DDRH7 | DDRH7  | DDRH5  | DDRH4  | DDRH3  | DDRH2  | DDRH1  | DDRH0  |
|         |          | Write: |       |        |        |        |        |        |        |        |
| \$0263  | RDRH     | Read:  | RDRH7 | RDRH6  | RDRH5  | RDRH4  | RDRH3  | RDRH2  | RDRH1  | RDRH0  |
|         |          | Write: |       |        |        |        |        |        |        |        |
| \$0264  | PERH     | Read:  | PERH7 | PERH6  | PERH5  | PERH4  | PERH3  | PERH2  | PERH1  | PERH0  |
|         |          | Write: |       |        |        |        |        |        |        |        |
| \$0265  | PPSH     | Read:  | PPSH7 | PPSH6  | PPSH5  | PPSH4  | PPSH3  | PPSH2  | PPSH1  | PPSH0  |
|         |          | Write: |       |        |        |        |        |        |        |        |

**\$0240 - \$027F**

**PIM (Port Integration Module PIM\_9DP256)**

| Address            | Name     |                 | Bit 7 | Bit 6 | Bit 5 | Bit 4 | Bit 3 | Bit 2 | Bit 1 | Bit 0 |
|--------------------|----------|-----------------|-------|-------|-------|-------|-------|-------|-------|-------|
| \$0266             | PIEH     | Read:<br>Write: | PIEH7 | PIEH6 | PIEH5 | PIEH4 | PIEH3 | PIEH2 | PIEH1 | PIEH0 |
| \$0267             | PIFH     | Read:<br>Write: | PIFH7 | PIFH6 | PIFH5 | PIFH4 | PIFH3 | PIFH2 | PIFH1 | PIFH0 |
| \$0268             | PTJ      | Read:<br>Write: | PTJ7  | PTJ6  | 0     | 0     | 0     | 0     | PTJ1  | PTJ0  |
| \$0269             | PTIJ     | Read:<br>Write: | PTIJ7 | PTIJ6 | 0     | 0     | 0     | 0     | PTIJ1 | PTIJ0 |
| \$026A             | DDRJ     | Read:<br>Write: | DDRJ7 | DDRJ7 | 0     | 0     | 0     | 0     | DDRJ1 | DDRJ0 |
| \$026B             | RDRJ     | Read:<br>Write: | RDRJ7 | RDRJ6 | 0     | 0     | 0     | 0     | RDRJ1 | RDRJ0 |
| \$026C             | PERJ     | Read:<br>Write: | PERJ7 | PERJ6 | 0     | 0     | 0     | 0     | PERJ1 | PERJ0 |
| \$026D             | PPSJ     | Read:<br>Write: | PPSJ7 | PPSJ6 | 0     | 0     | 0     | 0     | PPSJ1 | PPSJ0 |
| \$026E             | PIEJ     | Read:<br>Write: | PIEJ7 | PIEJ6 | 0     | 0     | 0     | 0     | PIEJ1 | PIEJ0 |
| \$026F             | PIFJ     | Read:<br>Write: | PIFJ7 | PIFJ6 | 0     | 0     | 0     | 0     | PIFJ1 | PIFJ0 |
| \$0270 -<br>\$027F | Reserved | Read:           |       |       |       |       |       |       |       |       |

**\$0280 - \$02BF**

**CAN4 (Motorola Scalable CAN - MSCAN)**

| Address | Name      |                 | Bit 7 | Bit 6  | Bit 5   | Bit 4   | Bit 3   | Bit 2   | Bit 1  | Bit 0  |
|---------|-----------|-----------------|-------|--------|---------|---------|---------|---------|--------|--------|
| \$0280  | CAN4CTL0  | Read:<br>Write: | RXFRM | RXACT  | CSWAI   | SYNCH   | TIME    | WUPE    | SLPRQ  | INITRQ |
| \$0281  | CAN4CTL1  | Read:<br>Write: | CANE  | CLKSRC | LOOPB   | LISTEN  | 0       | WUPM    | SLPAK  | INITAK |
| \$0282  | CAN4BTR0  | Read:<br>Write: | SJW1  | SJW0   | BRP5    | BRP4    | BRP3    | BRP2    | BRP1   | BRP0   |
| \$0283  | CAN4BTR1  | Read:<br>Write: | SAMP  | TSEG22 | TSEG21  | TSEG20  | TSEG13  | TSEG12  | TSEG11 | TSEG10 |
| \$0284  | CAN4RFLG  | Read:<br>Write: | WUPIF | CSCIF  | RSTAT1  | RSTAT0  | TSTAT1  | TSTAT0  | OVRIF  | RXF    |
| \$0285  | CAN4RIER  | Read:<br>Write: | WUPIE | CSCIE  | RSTATE1 | RSTATE0 | TSTATE1 | TSTATE0 | OVRIE  | RXFIE  |
| \$0286  | CAN4TFLG  | Read:<br>Write: | 0     | 0      | 0       | 0       | 0       | TXE2    | TXE1   | TXE0   |
| \$0287  | CAN4TIER  | Read:<br>Write: | 0     | 0      | 0       | 0       | 0       | TXEIE2  | TXEIE1 | TXEIE0 |
| \$0288  | CAN4TARQ  | Read:<br>Write: | 0     | 0      | 0       | 0       | 0       | ABTRQ2  | ABTRQ1 | ABTRQ0 |
| \$0289  | CAN4TAAK  | Read:<br>Write: | 0     | 0      | 0       | 0       | 0       | ABTAK2  | ABTAK1 | ABTAK0 |
| \$028A  | CAN4TBSEL | Read:<br>Write: | 0     | 0      | 0       | 0       | 0       | TX2     | TX1    | TX0    |
| \$028B  | CAN4IDAC  | Read:<br>Write: | 0     | 0      | IDAM1   | IDAM0   | 0       | IDHIT2  | IDHIT1 | IDHIT0 |

**\$0280 - \$02BF**

**CAN4 (Motorola Scalable CAN - MSCAN)**

| Address         | Name      |        | Bit 7                                           | Bit 6  | Bit 5  | Bit 4  | Bit 3  | Bit 2  | Bit 1  | Bit 0  |
|-----------------|-----------|--------|-------------------------------------------------|--------|--------|--------|--------|--------|--------|--------|
| \$028C          | Reserved  | Read:  | 0                                               | 0      | 0      | 0      | 0      | 0      | 0      | 0      |
|                 |           | Write: |                                                 |        |        |        |        |        |        |        |
| \$028D          | Reserved  | Read:  | 0                                               | 0      | 0      | 0      | 0      | 0      | 0      | 0      |
|                 |           | Write: |                                                 |        |        |        |        |        |        |        |
| \$028E          | CAN4RXERR | Read:  | RXERR7                                          | RXERR6 | RXERR5 | RXERR4 | RXERR3 | RXERR2 | RXERR1 | RXERR0 |
|                 |           | Write: |                                                 |        |        |        |        |        |        |        |
| \$028F          | CAN4TXERR | Read:  | TXERR7                                          | TXERR6 | TXERR5 | TXERR4 | TXERR3 | TXERR2 | TXERR1 | TXERR0 |
|                 |           | Write: |                                                 |        |        |        |        |        |        |        |
| \$0290          | CAN4IDAR0 | Read:  | AC7                                             | AC6    | AC5    | AC4    | AC3    | AC2    | AC1    | AC0    |
|                 |           | Write: |                                                 |        |        |        |        |        |        |        |
| \$0291          | CAN4IDAR1 | Read:  | AC7                                             | AC6    | AC5    | AC4    | AC3    | AC2    | AC1    | AC0    |
|                 |           | Write: |                                                 |        |        |        |        |        |        |        |
| \$0292          | CAN4IDAR2 | Read:  | AC7                                             | AC6    | AC5    | AC4    | AC3    | AC2    | AC1    | AC0    |
|                 |           | Write: |                                                 |        |        |        |        |        |        |        |
| \$0293          | CAN4IDAR3 | Read:  | AC7                                             | AC6    | AC5    | AC4    | AC3    | AC2    | AC1    | AC0    |
|                 |           | Write: |                                                 |        |        |        |        |        |        |        |
| \$0294          | CAN4IDMR0 | Read:  | AM7                                             | AM6    | AM5    | AM4    | AM3    | AM2    | AM1    | AM0    |
|                 |           | Write: |                                                 |        |        |        |        |        |        |        |
| \$0295          | CAN4IDMR1 | Read:  | AM7                                             | AM6    | AM5    | AM4    | AM3    | AM2    | AM1    | AM0    |
|                 |           | Write: |                                                 |        |        |        |        |        |        |        |
| \$0296          | CAN4IDMR2 | Read:  | AM7                                             | AM6    | AM5    | AM4    | AM3    | AM2    | AM1    | AM0    |
|                 |           | Write: |                                                 |        |        |        |        |        |        |        |
| \$0297          | CAN4IDMR3 | Read:  | AM7                                             | AM6    | AM5    | AM4    | AM3    | AM2    | AM1    | AM0    |
|                 |           | Write: |                                                 |        |        |        |        |        |        |        |
| \$0298          | CAN4IDAR4 | Read:  | AC7                                             | AC6    | AC5    | AC4    | AC3    | AC2    | AC1    | AC0    |
|                 |           | Write: |                                                 |        |        |        |        |        |        |        |
| \$0299          | CAN4IDAR5 | Read:  | AC7                                             | AC6    | AC5    | AC4    | AC3    | AC2    | AC1    | AC0    |
|                 |           | Write: |                                                 |        |        |        |        |        |        |        |
| \$029A          | CAN4IDAR6 | Read:  | AC7                                             | AC6    | AC5    | AC4    | AC3    | AC2    | AC1    | AC0    |
|                 |           | Write: |                                                 |        |        |        |        |        |        |        |
| \$029B          | CAN4IDAR7 | Read:  | AC7                                             | AC6    | AC5    | AC4    | AC3    | AC2    | AC1    | AC0    |
|                 |           | Write: |                                                 |        |        |        |        |        |        |        |
| \$029C          | CAN4IDMR4 | Read:  | AM7                                             | AM6    | AM5    | AM4    | AM3    | AM2    | AM1    | AM0    |
|                 |           | Write: |                                                 |        |        |        |        |        |        |        |
| \$029D          | CAN4IDMR5 | Read:  | AM7                                             | AM6    | AM5    | AM4    | AM3    | AM2    | AM1    | AM0    |
|                 |           | Write: |                                                 |        |        |        |        |        |        |        |
| \$029E          | CAN4IDMR6 | Read:  | AM7                                             | AM6    | AM5    | AM4    | AM3    | AM2    | AM1    | AM0    |
|                 |           | Write: |                                                 |        |        |        |        |        |        |        |
| \$029F          | CAN4IDMR7 | Read:  | AM7                                             | AM6    | AM5    | AM4    | AM3    | AM2    | AM1    | AM0    |
|                 |           | Write: |                                                 |        |        |        |        |        |        |        |
| \$02A0 - \$02AF | CAN4RXFG  | Read:  | FOREGROUND RECEIVE BUFFER see <b>Table 1-2</b>  |        |        |        |        |        |        |        |
|                 |           | Write: |                                                 |        |        |        |        |        |        |        |
| \$02B0 - \$02BF | CAN4TXFG  | Read:  | FOREGROUND TRANSMIT BUFFER see <b>Table 1-2</b> |        |        |        |        |        |        |        |
|                 |           | Write: |                                                 |        |        |        |        |        |        |        |

Freescale Semiconductor, Inc.

**\$02C0 - \$03FF**

**Reserved space**

| Address | Name     |        | Bit 7 | Bit 6 | Bit 5 | Bit 4 | Bit 3 | Bit 2 | Bit 1 | Bit 0 |
|---------|----------|--------|-------|-------|-------|-------|-------|-------|-------|-------|
| \$02C0  | Reserved | Read:  | 0     | 0     | 0     | 0     | 0     | 0     | 0     | 0     |
| -\$03FF |          | Write: |       |       |       |       |       |       |       |       |

## 1.7 Part ID Assignments

The part ID is located in two 8-bit registers PARTIDH and PARTIDL (addresses \$001A and \$001B after reset). The read-only value is a unique part ID for each revision of the chip. **Table 1-3** shows the assigned part ID number.

**Table 1-3 Assigned Part ID Numbers**

| Device      | Mask Set Number | Part ID <sup>1</sup> |
|-------------|-----------------|----------------------|
| MC9S12DT256 | 0L91N           | \$0030               |

NOTES:

- The coding is as follows:  
 Bit 15-12: Major family identifier  
 Bit 11-8: Minor family identifier  
 Bit 7-4: Major mask set revision number including FAB transfers  
 Bit 3-0: Minor - non full - mask set revision

The device memory sizes are located in two 8-bit registers MEMSIZ0 and MEMSIZ1 (addresses \$001C and \$001D after reset). **Table 1-4** shows the read-only values of these registers. Refer to section Module Mapping and Control (MMC) of HCS12 Core User Guide for further details.

**Table 1-4 Memory size registers**

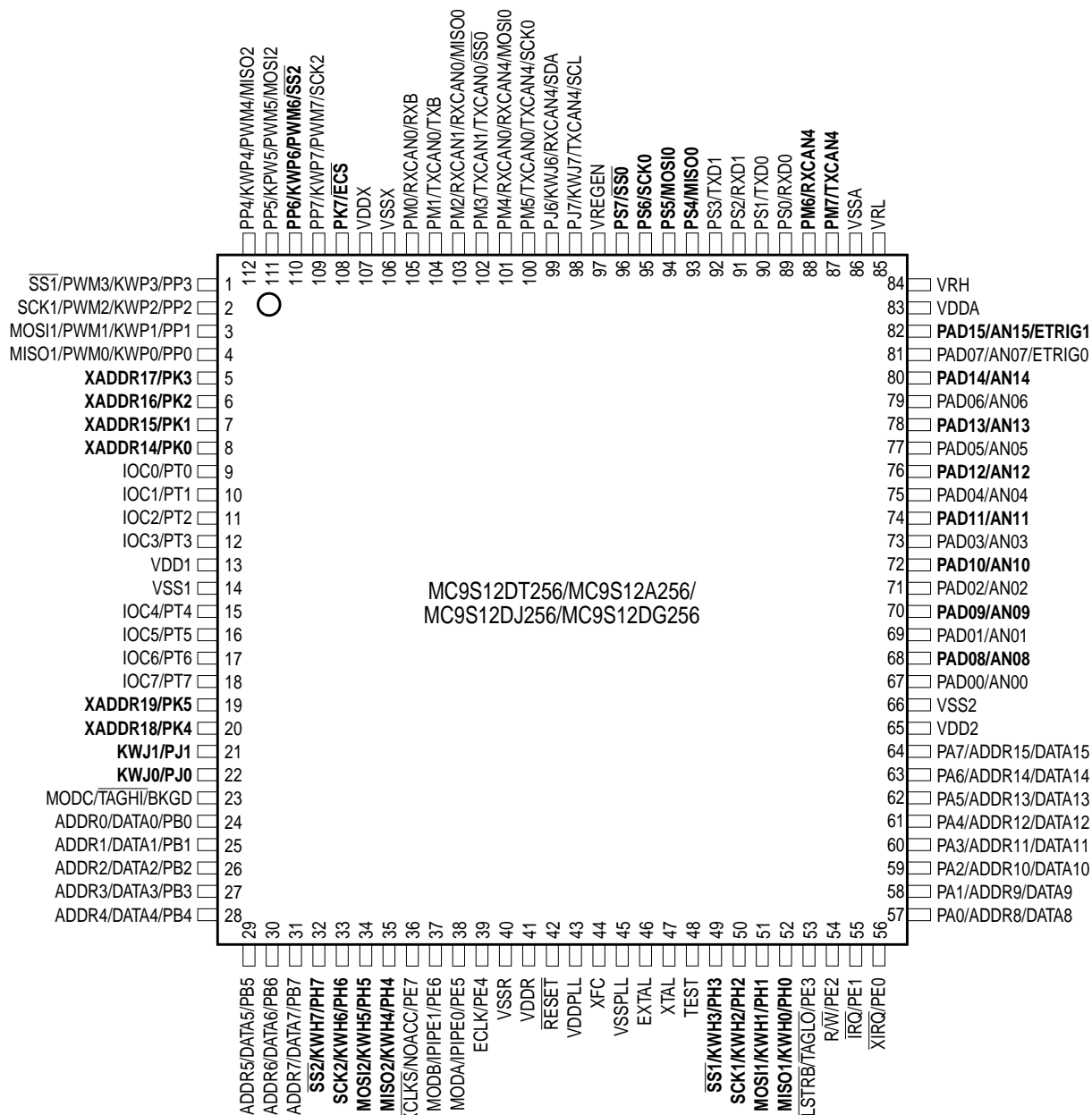
| Register name | Value |
|---------------|-------|
| MEMSIZ0       | \$25  |
| MEMSIZ1       | \$81  |

## Section 2 Signal Description

This section describes signals that connect off-chip. It includes a pinout diagram, a table of signal properties, and detailed discussion of signals. It is built from the signal description sections of the Block User Guides of the individual IP blocks on the device.

### 2.1 Device Pinout

The MC9S12DT256/MC9S12DJ256/MC9S12DG256 and MC9S12A256 is available in a 112-pin low profile quad flat pack (LQFP) and MC9S12DJ256/MC9S12DG256 and MC9S12A256 is also available in a 80-pin quad flat pack (QFP). Most pins perform two or more functions, as described in the Signal Descriptions. **Figure 2-1** and **Figure 2-2** show the pin assignments.



Signals shown in **Bold** are not available on the 80 Pin Package

**Figure 2-1 Pin Assignments in 112-pin LQFP**

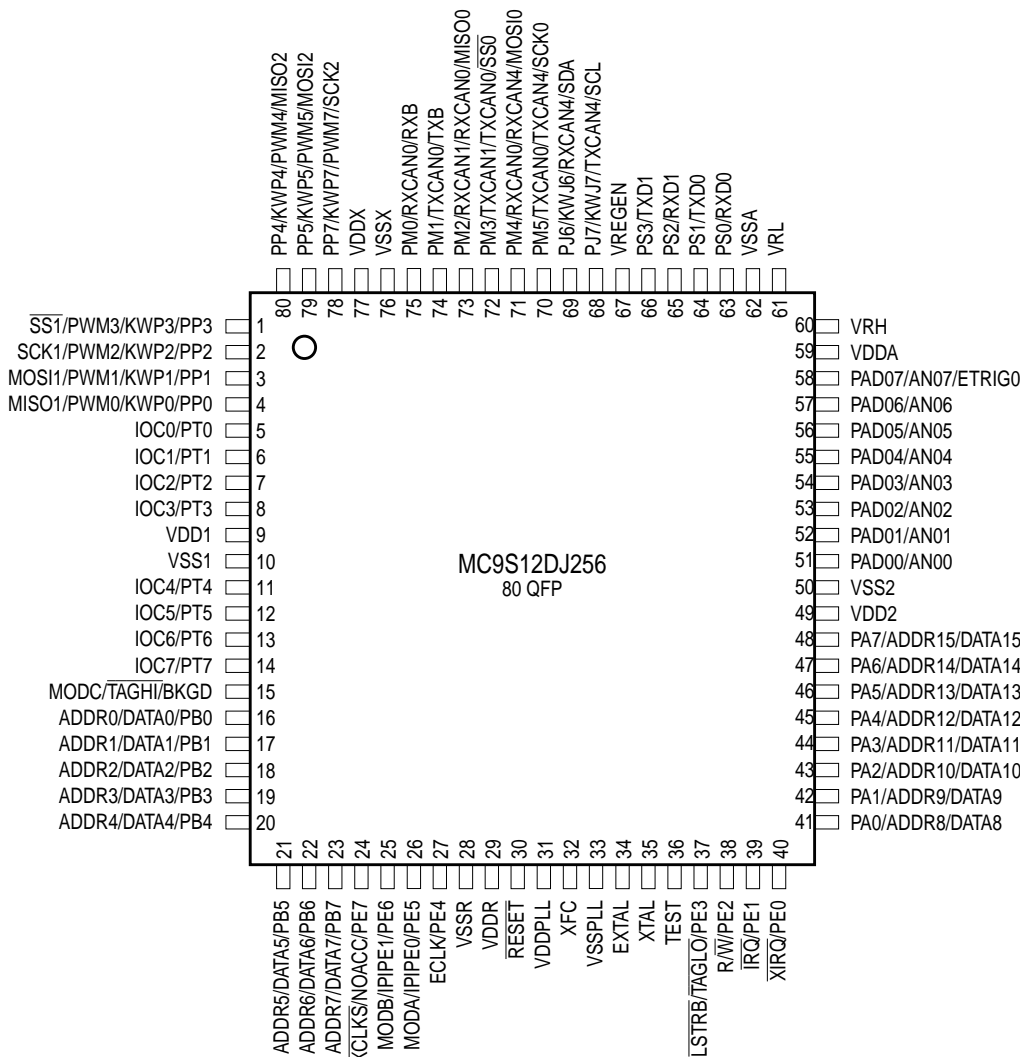


Figure 2-2 Pin Assignments in 80-pin QFP for MC9S12DJ256

## 2.2 Signal Properties Summary

Table 2-1 summarizes the pin functionality. Signals shown in **bold** are not available in the 80 pin package.

Table 2-1 Signal Properties

| Pin Name<br>Funct. 1 | Pin Name<br>Funct. 2      | Pin Name<br>Funct. 3      | Pin Name<br>Funct. 4 | Pin Name<br>Funct. 5 | Power<br>Supply | Internal Pull<br>Resistor          |                | Description                                                                   |
|----------------------|---------------------------|---------------------------|----------------------|----------------------|-----------------|------------------------------------|----------------|-------------------------------------------------------------------------------|
|                      |                           |                           |                      |                      |                 | CTRL                               | Reset<br>State |                                                                               |
| EXTAL                | —                         | —                         | —                    | —                    | VDDPLL          | NA                                 | NA             | Oscillator Pins                                                               |
| XTAL                 | —                         | —                         | —                    | —                    | VDDPLL          | NA                                 | NA             |                                                                               |
| RESET                | —                         | —                         | —                    | —                    | VDDR            | None                               | None           | External Reset                                                                |
| TEST                 | —                         | —                         | —                    | —                    | N.A.            | NA                                 | NA             | Test Input                                                                    |
| VREGEN               | —                         | —                         | —                    | —                    | VDDX            | NA                                 | NA             | Voltage Regulator Enable Input                                                |
| XFC                  | —                         | —                         | —                    | —                    | VDDPLL          | NA                                 | NA             | PLL Loop Filter                                                               |
| BKGD                 | $\overline{\text{TAGHI}}$ | MODC                      | —                    | —                    | VDDR            | Always<br>Up                       | Up             | Background Debug, Tag High, Mode<br>Input                                     |
| PAD[15]              | AN1[7]                    | ETRIG1                    | —                    | —                    | VDDA            | None                               | None           | Port AD Input, Analog Input AN7<br>of ATD1, External Trigger Input of<br>ATD1 |
| PAD[14:8]            | AN1[6:0]                  | —                         | —                    | —                    | VDDA            | None                               | None           | Port AD Inputs, Analog Inputs<br>AN[6:0] of ATD1                              |
| PAD[7]               | AN0[7]                    | ETRIG0                    | —                    | —                    | VDDA            | None                               | None           | Port AD Input, Analog Input AN7 of<br>ATD0, External Trigger Input of ATD0    |
| PAD[6:0]             | AN0[6:0]                  | —                         | —                    | —                    | VDDA            | None                               | None           | Port AD Inputs, Analog Inputs<br>AN[6:0] of ATD0                              |
| PA[7:0]              | ADDR[15:8]/<br>DATA[15:8] | —                         | —                    | —                    | VDDR            | PUCR                               | Disabled       | Port A I/O, Multiplexed Address/Data                                          |
| PB[7:0]              | ADDR[7:0]/<br>DATA[7:0]   | —                         | —                    | —                    | VDDR            | PUCR                               | Disabled       | Port B I/O, Multiplexed Address/Data                                          |
| PE7                  | NOACC                     | $\overline{\text{XCLKS}}$ | —                    | —                    | VDDR            | PUCR                               | Up             | Port E I/O, Access, Clock Select                                              |
| PE6                  | IPIPE1                    | MODB                      | —                    | —                    | VDDR            | While RESET<br>pin is low:<br>Down |                | Port E I/O, Pipe Status, Mode Input                                           |
| PE5                  | IPIPE0                    | MODA                      | —                    | —                    | VDDR            | While RESET<br>pin is low:<br>Down |                | Port E I/O, Pipe Status, Mode Input                                           |
| PE4                  | ECLK                      | —                         | —                    | —                    | VDDR            | PUCR                               | Up             | Port E I/O, Bus Clock Output                                                  |
| PE3                  | $\overline{\text{LSTRB}}$ | $\overline{\text{TAGLO}}$ | —                    | —                    | VDDR            | PUCR                               | Up             | Port E I/O, Byte Strobe, Tag Low                                              |
| PE2                  | R/ $\overline{\text{W}}$  | —                         | —                    | —                    | VDDR            | PUCR                               | Up             | Port E I/O, R/ $\overline{\text{W}}$ in expanded modes                        |
| PE1                  | $\overline{\text{IRQ}}$   | —                         | —                    | —                    | VDDR            | PUCR                               | Up             | Port E Input, Maskable Interrupt                                              |
| PE0                  | $\overline{\text{XIRQ}}$  | —                         | —                    | —                    | VDDR            | PUCR                               | Up             | Port E Input, Non Maskable Interrupt                                          |
| PH7                  | KWH7                      | $\overline{\text{SS2}}$   | —                    | —                    | VDDR            | PERH/<br>PPSH                      | Disabled       | Port H I/O, Interrupt, $\overline{\text{SS}}$ of SPI2                         |
| PH6                  | KWH6                      | SCK2                      | —                    | —                    | VDDR            | PERH/<br>PPSH                      | Disabled       | Port H I/O, Interrupt, SCK of SPI2                                            |
| PH5                  | KWH5                      | MOSI2                     | —                    | —                    | VDDR            | PERH/<br>PPSH                      | Disabled       | Port H I/O, Interrupt, MOSI of SPI2                                           |



| Pin Name<br>Funct. 1 | Pin Name<br>Funct. 2 | Pin Name<br>Funct. 3 | Pin Name<br>Funct. 4 | Pin Name<br>Funct. 5 | Power<br>Supply | Internal Pull<br>Resistor |                | Description                                                  |
|----------------------|----------------------|----------------------|----------------------|----------------------|-----------------|---------------------------|----------------|--------------------------------------------------------------|
|                      |                      |                      |                      |                      |                 | CTRL                      | Reset<br>State |                                                              |
| PH4                  | KWH4                 | MISO2                | —                    | —                    | VDDR            | PERH/<br>PPSH             | Disabled       | Port H I/O, Interrupt, MISO of SPI2                          |
| PH3                  | KWH3                 | SS1                  | —                    | —                    | VDDR            | PERH/<br>PPSH             | Disabled       | Port H I/O, Interrupt, SS of SPI1                            |
| PH2                  | KWH2                 | SCK1                 | —                    | —                    | VDDR            | PERH/<br>PPSH             | Disabled       | Port H I/O, Interrupt, SCK of SPI1                           |
| PH1                  | KWH1                 | MOSI1                | —                    | —                    | VDDR            | PERH/<br>PPSH             | Disabled       | Port H I/O, Interrupt, MOSI of SPI1                          |
| PH0                  | KWH0                 | MISO1                | —                    | —                    | VDDR            | PERH/<br>PPSH             | Disabled       | Port H I/O, Interrupt, MISO of SPI1                          |
| PJ7                  | KWJ7                 | TXCAN4               | SCL                  | TXCAN0               | VDDX            | PERJ/<br>PPSJ             | Up             | Port J I/O, Interrupt, TX of CAN4,<br>SCL of IIC, TX of CAN0 |
| PJ6                  | KWJ6                 | RXCAN4               | SDA                  | RXCAN0               | VDDX            | PERJ/<br>PPSJ             | Up             | Port J I/O, Interrupt, RX of CAN4,<br>SDA of IIC, RX of CAN0 |
| PJ[1:0]              | KWJ[1:0]             | —                    | —                    | —                    | VDDX            | PERJ/<br>PSJ              | Up             | Port J I/O, Interrupts                                       |
| PK7                  | ECS                  | ROMONE               | —                    | —                    | VDDX            | PUCR                      | Up             | Port K I/O, Emulation Chip Select,<br>ROM On Enable          |
| PK[5:0]              | XADDR<br>[19:14]     | —                    | —                    | —                    | VDDX            | PUCR                      | Up             | Port K I/O, Extended Addresses                               |
| PM7                  | TXCAN4               | —                    | —                    | —                    | VDDX            | PERM/<br>PPSM             | Disabled       | Port M I/O, TX of CAN4                                       |
| PM6                  | RXCAN4               | —                    | —                    | —                    | VDDX            | PERM/<br>PPSM             | Disabled       | Port M I/O RX of CAN4                                        |
| PM5                  | TXCAN0               | TXCAN4               | SCK0                 | —                    | VDDX            | PERM/<br>PPSM             | Disabled       | Port M I/O CAN0, CAN4, SCK of<br>SPI0                        |
| PM4                  | RXCAN0               | RXCAN4               | MOSI0                | —                    | VDDX            | PERM/<br>PPSM             | Disabled       | Port M I/O, CAN0, CAN4, MOSI of<br>SPI0                      |
| PM3                  | TXCAN1               | TXCAN0               | —                    | SS0                  | VDDX            | PERM/<br>PPSM             | Disabled       | Port M I/O, TX of CAN1, CAN0, SS<br>of SPI0                  |
| PM2                  | RXCAN1               | RXCAN0               | —                    | MISO0                | VDDX            | PERM/<br>PPSM             | Disabled       | Port M I/O, RX of CAN1, CAN0,<br>MISO of SPI0                |
| PM1                  | TXCAN0               | TXB                  | —                    | —                    | VDDX            | PERM/<br>PPSM             | Disabled       | Port M I/O, TX of CAN0, TX of BDLC                           |
| PM0                  | RXCAN0               | RXB                  | —                    | —                    | VDDX            | PERM/<br>PPSM             | Disabled       | Port M I/O, RX of CAN0, RX of BDLC                           |
| PP7                  | KWP7                 | PWM7                 | SCK2                 | —                    | VDDX            | PERP/<br>PPSP             | Disabled       | Port P I/O, Interrupt, Channel 7 of<br>PWM, SCK of SPI2      |
| PP6                  | KWP6                 | PWM6                 | SS2                  | —                    | VDDX            | PERP/<br>PPSP             | Disabled       | Port P I/O, Interrupt, Channel 6 of<br>PWM, SS of SPI2       |
| PP5                  | KWP5                 | PWM5                 | MOSI2                | —                    | VDDX            | PERP/<br>PPSP             | Disabled       | Port P I/O, Interrupt, Channel 5 of<br>PWM, MOSI of SPI2     |

Freescale Semiconductor, Inc.

| Pin Name<br>Funct. 1 | Pin Name<br>Funct. 2 | Pin Name<br>Funct. 3 | Pin Name<br>Funct. 4 | Pin Name<br>Funct. 5 | Power<br>Supply | Internal Pull<br>Resistor |                | Description                                               |
|----------------------|----------------------|----------------------|----------------------|----------------------|-----------------|---------------------------|----------------|-----------------------------------------------------------|
|                      |                      |                      |                      |                      |                 | CTRL                      | Reset<br>State |                                                           |
| PP4                  | KWP4                 | PWM4                 | MISO2                | —                    | VDDX            | PERP/<br>PPSP             | Disabled       | Port P I/O, Interrupt, Channel 4 of<br>PWM, MISO2 of SPI2 |
| PP3                  | KWP3                 | PWM3                 | SS1                  | —                    | VDDX            | PERP/<br>PPSP             | Disabled       | Port P I/O, Interrupt, Channel 3 of<br>PWM, SS of SPI1    |
| PP2                  | KWP2                 | PWM2                 | SCK1                 | —                    | VDDX            | PERP/<br>PPSP             | Disabled       | Port P I/O, Interrupt, Channel 2 of<br>PWM, SCK of SPI1   |
| PP1                  | KWP1                 | PWM1                 | MOSI1                | —                    | VDDX            | PERP/<br>PPSP             | Disabled       | Port P I/O, Interrupt, Channel 1 of<br>PWM, MOSI of SPI1  |
| PP0                  | KWP0                 | PWM0                 | MISO1                | —                    | VDDX            | PERP/<br>PPSP             | Disabled       | Port P I/O, Interrupt, Channel 0 of<br>PWM, MISO2 of SPI1 |
| <b>PS7</b>           | <b>SS0</b>           | —                    | —                    | —                    | <b>VDDX</b>     | <b>PERS/<br/>PPSS</b>     | <b>Up</b>      | <b>Port S I/O, SS of SPI0</b>                             |
| <b>PS6</b>           | <b>SCK0</b>          | —                    | —                    | —                    | <b>VDDX</b>     | <b>PERS/<br/>PPSS</b>     | <b>Up</b>      | <b>Port S I/O, SCK of SPI0</b>                            |
| <b>PS5</b>           | <b>MOSI0</b>         | —                    | —                    | —                    | <b>VDDX</b>     | <b>PERS/<br/>PPSS</b>     | <b>Up</b>      | <b>Port S I/O, MOSI of SPI0</b>                           |
| <b>PS4</b>           | <b>MISO0</b>         | —                    | —                    | —                    | <b>VDDX</b>     | <b>PERS/<br/>PPSS</b>     | <b>Up</b>      | <b>Port S I/O, MISO of SPI0</b>                           |
| PS3                  | TXD1                 | —                    | —                    | —                    | VDDX            | PERS/<br>PPSS             | Up             | Port S I/O, TXD of SCI1                                   |
| PS2                  | RXD1                 | —                    | —                    | —                    | VDDX            | PERS/<br>PPSS             | Up             | Port S I/O, RXD of SCI1                                   |
| PS1                  | TXD0                 | —                    | —                    | —                    | VDDX            | PERS/<br>PPSS             | Up             | Port S I/O, TXD of SCI0                                   |
| PS0                  | RXD0                 | —                    | —                    | —                    | VDDX            | PERS/<br>PPSS             | Up             | Port S I/O, RXD of SCI0                                   |
| PT[7:0]              | IOC[7:0]             | —                    | —                    | —                    | VDDX            | PERT/<br>PPST             | Disabled       | Port T I/O, Timer channels                                |

## 2.3 Detailed Signal Descriptions

### 2.3.1 EXTAL, XTAL — Oscillator Pins

EXTAL and XTAL are the crystal driver and external clock pins. On reset all the device clocks are derived from the EXTAL input frequency. XTAL is the crystal output.

### 2.3.2 RESET — External Reset Pin

An active low bidirectional control signal, it acts as an input to initialize the MCU to a known start-up state, and an output when an internal MCU function causes a reset.

### 2.3.3 TEST — Test Pin

This input only pin is reserved for test.

**NOTE:** The TEST pin must be tied to VSS in all applications.

### 2.3.4 VREGEN — Voltage Regulator Enable Pin

This input only pin enables or disables the on-chip voltage regulator.

### 2.3.5 XFC — PLL Loop Filter Pin

PLL loop filter. Please ask your Motorola representative for the interactive application note to compute PLL loop filter elements. Any current leakage on this pin must be avoided.

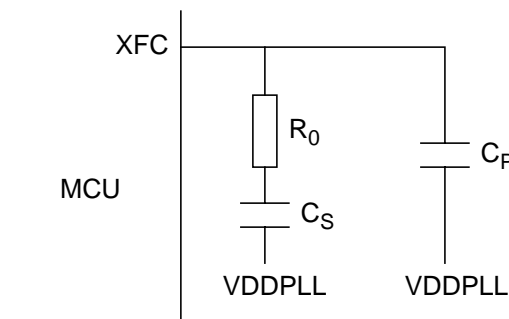


Figure 2-3 PLL Loop Filter Connections

### 2.3.6 BKGD / $\overline{\text{TAGHI}}$ / MODC — Background Debug, Tag High, and Mode Pin

The BKGD/ $\overline{\text{TAGHI}}$ /MODC pin is used as a pseudo-open-drain pin for the background debug communication. In MCU expanded modes of operation when instruction tagging is on, an input low on this pin during the falling edge of E-clock tags the high half of the instruction word being read into the instruction queue. It is used as a MCU operating mode select pin during reset. The state of this pin is latched to the MODC bit at the rising edge of  $\overline{\text{RESET}}$ . This pin has a permanently enabled pull-up device.

### 2.3.7 PAD15 / AN15 / ETRIG1 — Port AD Input Pin of ATD1

PAD15 is a general purpose input pin and analog input AN7 of the analog to digital converter ATD1. It can act as an external trigger input for the ATD1.

### 2.3.8 PAD[14:08] / AN[14:08] — Port AD Input Pins of ATD1

PAD14 - PAD08 are general purpose input pins and analog inputs AN[6:0] of the analog to digital converter ATD1.

### 2.3.9 PAD7 / AN07 / ETRIG0 — Port AD Input Pin of ATD0

PAD7 is a general purpose input pin and analog input AN7 of the analog to digital converter ATD0. It can act as an external trigger input for the ATD0.

### 2.3.10 PAD[06:00] / AN[06:00] — Port AD Input Pins of ATD0

PAD06 - PAD00 are general purpose input pins and analog inputs AN[6:0] of the analog to digital converter ATD0.

### 2.3.11 PA[7:0] / ADDR[15:8] / DATA[15:8] — Port A I/O Pins

PA7-PA0 are general purpose input or output pins. In MCU expanded modes of operation, these pins are used for the multiplexed external address and data bus.

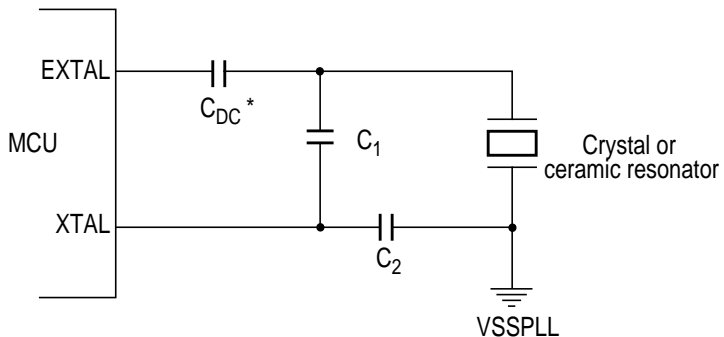
### 2.3.12 PB[7:0] / ADDR[7:0] / DATA[7:0] — Port B I/O Pins

PB7-PB0 are general purpose input or output pins. In MCU expanded modes of operation, these pins are used for the multiplexed external address and data bus.

### 2.3.13 PE7 / NOACC / $\overline{XCLKS}$ — Port E I/O Pin 7

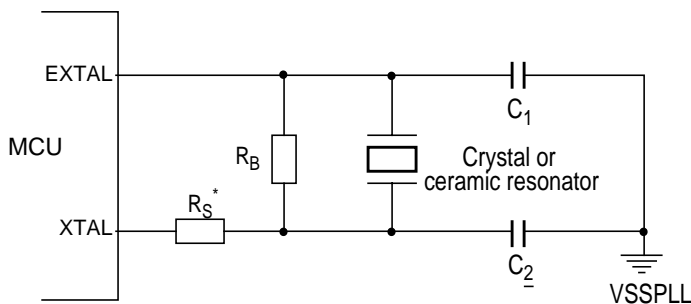
PE7 is a general purpose input or output pin. During MCU expanded modes of operation, the NOACC signal, when enabled, is used to indicate that the current bus cycle is an unused or “free” cycle. This signal will assert when the CPU is not using the bus. The  $\overline{XCLKS}$  is an input signal which controls whether a crystal in combination with the internal Colpitts (low power) oscillator is used or whether Pierce oscillator/external clock circuitry is used. The state of this pin is latched at the rising edge of  $\overline{RESET}$ . If the input is a logic low the EXTAL pin is configured for an external clock drive or a Pierce Oscillator. If input is a logic high a Colpitts oscillator circuit is configured on EXTAL and XTAL. Since this pin is an input with a pull-up device during reset, if the pin is left floating, the default configuration is a Colpitts oscillator circuit on EXTAL and XTAL.

Figure 2-4 Colpitts Oscillator Connections (PE7=1)



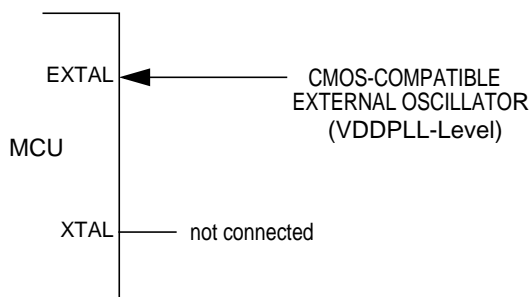
\* Due to the nature of a translated ground Colpitts oscillator a DC voltage bias is applied to the crystal  
 .Please contact the crystal manufacturer for crystal DC

Figure 2-5 Pierce Oscillator Connections (PE7=0)



\* R<sub>s</sub> can be zero (shorted) when use with higher frequency crystals.  
 Refer to manufacturer's data.

**Figure 2-6 External Clock Connections (PE7=0)**



### 2.3.14 PE6 / MODB / IPIPE1 — Port E I/O Pin 6

PE6 is a general purpose input or output pin. It is used as a MCU operating mode select pin during reset. The state of this pin is latched to the MODB bit at the rising edge of  $\overline{\text{RESET}}$ . This pin is shared with the instruction queue tracking signal IPIPE1. This pin is an input with a pull-down device which is only active when  $\overline{\text{RESET}}$  is low.

### 2.3.15 PE5 / MODA / IPIPE0 — Port E I/O Pin 5

PE5 is a general purpose input or output pin. It is used as a MCU operating mode select pin during reset. The state of this pin is latched to the MODA bit at the rising edge of  $\overline{\text{RESET}}$ . This pin is shared with the instruction queue tracking signal IPIPE0. This pin is an input with a pull-down device which is only active when  $\overline{\text{RESET}}$  is low.

### 2.3.16 PE4 / ECLK — Port E I/O Pin 4

PE4 is a general purpose input or output pin. It can be configured to drive the internal bus clock ECLK. ECLK can be used as a timing reference.

### 2.3.17 PE3 / $\overline{\text{LSTRB}}$ / $\overline{\text{TAGLO}}$ — Port E I/O Pin 3

PE3 is a general purpose input or output pin. In MCU expanded modes of operation,  $\overline{\text{LSTRB}}$  can be used for the low-byte strobe function to indicate the type of bus access and when instruction tagging is on,  $\overline{\text{TAGLO}}$  is used to tag the low half of the instruction word being read into the instruction queue.

### 2.3.18 PE2 / $\overline{R/W}$ — Port E I/O Pin 2

PE2 is a general purpose input or output pin. In MCU expanded modes of operations, this pin drives the read/write output signal for the external bus. It indicates the direction of data on the external bus.

### 2.3.19 PE1 / $\overline{IRQ}$ — Port E Input Pin 1

PE1 is a general purpose input pin and the maskable interrupt request input that provides a means of applying asynchronous interrupt requests. This will wake up the MCU from STOP or WAIT mode.

### 2.3.20 PE0 / $\overline{XIRQ}$ — Port E Input Pin 0

PE0 is a general purpose input pin and the non-maskable interrupt request input that provides a means of applying asynchronous interrupt requests. This will wake up the MCU from STOP or WAIT mode.

### 2.3.21 PH7 / KWH7 / $\overline{SS2}$ — Port H I/O Pin 7

PH7 is a general purpose input or output pin. It can be configured to generate an interrupt causing the MCU to exit STOP or WAIT mode. It can be configured as slave select pin  $\overline{SS}$  of the Serial Peripheral Interface 2 (SPI2).

### 2.3.22 PH6 / KWH6 / SCK2 — Port H I/O Pin 6

PH6 is a general purpose input or output pin. It can be configured to generate an interrupt causing the MCU to exit STOP or WAIT mode. It can be configured as serial clock pin SCK of the Serial Peripheral Interface 2 (SPI2).

### 2.3.23 PH5 / KWH5 / MOSI2 — Port H I/O Pin 5

PH5 is a general purpose input or output pin. It can be configured to generate an interrupt causing the MCU to exit STOP or WAIT mode. It can be configured as master output (during master mode) or slave input pin (during slave mode) MOSI of the Serial Peripheral Interface 2 (SPI2).

### 2.3.24 PH4 / KWH4 / MISO2 — Port H I/O Pin 2

PH4 is a general purpose input or output pin. It can be configured to generate an interrupt causing the MCU to exit STOP or WAIT mode. It can be configured as master input (during master mode) or slave output (during slave mode) pin MISO of the Serial Peripheral Interface 2 (SPI2).

### 2.3.25 PH3 / KWH3 / $\overline{SS1}$ — Port H I/O Pin 3

PH3 is a general purpose input or output pin. It can be configured to generate an interrupt causing the MCU to exit STOP or WAIT mode. It can be configured as slave select pin  $\overline{SS}$  of the Serial Peripheral Interface 1 (SPI1).

### 2.3.26 PH2 / KWH2 / SCK1 — Port H I/O Pin 2

PH2 is a general purpose input or output pin. It can be configured to generate an interrupt causing the MCU to exit STOP or WAIT mode. It can be configured as serial clock pin SCK of the Serial Peripheral Interface 1 (SPI1).

### 2.3.27 PH1 / KWH1 / MOSI1 — Port H I/O Pin 1

PH1 is a general purpose input or output pin. It can be configured to generate an interrupt causing the MCU to exit STOP or WAIT mode. It can be configured as master output (during master mode) or slave input pin (during slave mode) MOSI of the Serial Peripheral Interface 1 (SPI1).

### 2.3.28 PH0 / KWH0 / MISO1 — Port H I/O Pin 0

PH0 is a general purpose input or output pin. It can be configured to generate an interrupt causing the MCU to exit STOP or WAIT mode. It can be configured as master input (during master mode) or slave output (during slave mode) pin MISO of the Serial Peripheral Interface 1 (SPI1).

### 2.3.29 PJ7 / KWJ7 / TXCAN4 / SCL — PORT J I/O Pin 7

PJ7 is a general purpose input or output pin. It can be configured to generate an interrupt causing the MCU to exit STOP or WAIT mode. It can be configured as the transmit pin TXCAN for the Motorola Scalable Controller Area Network controller 4 (CAN4) or the serial clock pin SCL of the IIC module.

### 2.3.30 PJ6 / KWJ6 / RXCAN4 / SDA — PORT J I/O Pin 6

PJ6 is a general purpose input or output pin. It can be configured to generate an interrupt causing the MCU to exit STOP or WAIT mode. It can be configured as the receive pin RXCAN for the Motorola Scalable Controller Area Network controller 4 (CAN4) or the serial data pin SDA of the IIC module.

### 2.3.31 PJ[1:0] / KWJ[1:0] — Port J I/O Pins [1:0]

PJ1 and PJ0 are general purpose input or output pins. They can be configured to generate an interrupt causing the MCU to exit STOP or WAIT mode.

### 2.3.32 PK7 / $\overline{\text{ECS}}$ / ROMONE — Port K I/O Pin 7

PK7 is a general purpose input or output pin. During MCU expanded modes of operation, this pin is used as the emulation chip select output ( $\overline{\text{ECS}}$ ). During MCU normal expanded wide and narrow modes of operation, this pin is used to enable the Flash EEPROM memory in the memory map (ROMONE). At the rising edge of  $\overline{\text{RESET}}$ , the state of this pin is latched to the ROMON bit.



### 2.3.33 PK[5:0] / XADDR[19:14] — Port K I/O Pins [5:0]

PK5-PK0 are general purpose input or output pins. In MCU expanded modes of operation, these pins provide the expanded address XADDR[19:14] for the external bus.

### 2.3.34 PM7 / TXCAN4 — Port M I/O Pin 7

PM7 is a general purpose input or output pin. It can be configured as the transmit pin TXCAN of the Motorola Scalable Controller Area Network controller 4 (CAN4).

### 2.3.35 PM6 / RXCAN4 — Port M I/O Pin 6

PM6 is a general purpose input or output pin. It can be configured as the receive pin RXCAN of the Motorola Scalable Controller Area Network controller 4 (CAN4).

### 2.3.36 PM5 / TXCAN0 / TXCAN4 / SCK0 — Port M I/O Pin 5

PM5 is a general purpose input or output pin. It can be configured as the transmit pin TXCAN of the Motorola Scalable Controller Area Network controllers 0 or 4 (CAN0 or CAN4). It can be configured as the serial clock pin SCK of the Serial Peripheral Interface 0 (SPI0).

### 2.3.37 PM4 / RXCAN0 / RXCAN4/ MOSI0 — Port M I/O Pin 4

PM4 is a general purpose input or output pin. It can be configured as the receive pin RXCAN of the Motorola Scalable Controller Area Network controllers 0 or 4 (CAN0 or CAN4). It can be configured as the master output (during master mode) or slave input pin (during slave mode) MOSI for the Serial Peripheral Interface 0 (SPI0).

### 2.3.38 PM3 / TXCAN1 / TXCAN0 / $\overline{SS}$ 0 — Port M I/O Pin 3

PM3 is a general purpose input or output pin. It can be configured as the transmit pin TXCAN of the Motorola Scalable Controller Area Network controllers 1 or 0 (CAN1 or CAN0). It can be configured as the slave select pin  $\overline{SS}$  of the Serial Peripheral Interface 0 (SPI0).

### 2.3.39 PM2 / RXCAN1 / RXCAN0 / MISO0 — Port M I/O Pin 2

PM2 is a general purpose input or output pin. It can be configured as the receive pin RXCAN of the Motorola Scalable Controller Area Network controllers 1 or 0 (CAN1 or CAN0). It can be configured as the master input (during master mode) or slave output pin (during slave mode) MISO for the Serial Peripheral Interface 0 (SPI0).

### 2.3.40 PM1 / TXCAN0 / TXB — Port M I/O Pin 1

PM1 is a general purpose input or output pin. It can be configured as the transmit pin TXCAN of the Motorola Scalable Controller Area Network controller 0 (CAN0). It can be configured as the transmit pin TXB of the BDLC.

### 2.3.41 PM0 / RXCAN0 / RXB — Port M I/O Pin 0

PM0 is a general purpose input or output pin. It can be configured as the receive pin RXCAN of the Motorola Scalable Controller Area Network controller 0 (CAN0). It can be configured as the receive pin RXB of the BDLC.

### 2.3.42 PP7 / KWP7 / PWM7 / SCK2 — Port P I/O Pin 7

PP7 is a general purpose input or output pin. It can be configured to generate an interrupt causing the MCU to exit STOP or WAIT mode. It can be configured as Pulse Width Modulator (PWM) channel 7 output. It can be configured as serial clock pin SCK of the Serial Peripheral Interface 2 (SPI2).

### 2.3.43 PP6 / KWP6 / PWM6 / $\overline{SS2}$ — Port P I/O Pin 6

PP6 is a general purpose input or output pin. It can be configured to generate an interrupt causing the MCU to exit STOP or WAIT mode. It can be configured as Pulse Width Modulator (PWM) channel 6 output. It can be configured as slave select pin  $\overline{SS}$  of the Serial Peripheral Interface 2 (SPI2).

### 2.3.44 PP5 / KWP5 / PWM5 / MOSI2 — Port P I/O Pin 5

PP5 is a general purpose input or output pin. It can be configured to generate an interrupt causing the MCU to exit STOP or WAIT mode. It can be configured as Pulse Width Modulator (PWM) channel 5 output. It can be configured as master output (during master mode) or slave input pin (during slave mode) MOSI of the Serial Peripheral Interface 2 (SPI2).

### 2.3.45 PP4 / KWP4 / PWM4 / MISO2 — Port P I/O Pin 4

PP4 is a general purpose input or output pin. It can be configured to generate an interrupt causing the MCU to exit STOP or WAIT mode. It can be configured as Pulse Width Modulator (PWM) channel 4 output. It can be configured as master input (during master mode) or slave output (during slave mode) pin MISO of the Serial Peripheral Interface 2 (SPI2).

### 2.3.46 PP3 / KWP3 / PWM3 / $\overline{SS1}$ — Port P I/O Pin 3

PP3 is a general purpose input or output pin. It can be configured to generate an interrupt causing the MCU to exit STOP or WAIT mode. It can be configured as Pulse Width Modulator (PWM) channel 3 output. It can be configured as slave select pin  $\overline{SS}$  of the Serial Peripheral Interface 1 (SPI1).

### 2.3.47 PP2 / KWP2 / PWM2 / SCK1 — Port P I/O Pin 2

PP2 is a general purpose input or output pin. It can be configured to generate an interrupt causing the MCU to exit STOP or WAIT mode. It can be configured as Pulse Width Modulator (PWM) channel 2 output. It can be configured as serial clock pin SCK of the Serial Peripheral Interface 1 (SPI1).

### 2.3.48 PP1 / KWP1 / PWM1 / MOSI1 — Port P I/O Pin 1

PP1 is a general purpose input or output pin. It can be configured to generate an interrupt causing the MCU to exit STOP or WAIT mode. It can be configured as Pulse Width Modulator (PWM) channel 1 output. It can be configured as master output (during master mode) or slave input pin (during slave mode) MOSI of the Serial Peripheral Interface 1 (SPI1).

### 2.3.49 PP0 / KWP0 / PWM0 / MISO1 — Port P I/O Pin 0

PP0 is a general purpose input or output pin. It can be configured to generate an interrupt causing the MCU to exit STOP or WAIT mode. It can be configured as Pulse Width Modulator (PWM) channel 0 output. It can be configured as master input (during master mode) or slave output (during slave mode) pin MISO of the Serial Peripheral Interface 1 (SPI1).

### 2.3.50 PS7 / $\overline{SS0}$ — Port S I/O Pin 7

PS6 is a general purpose input or output pin. It can be configured as the slave select pin  $\overline{SS}$  of the Serial Peripheral Interface 0 (SPI0).

### 2.3.51 PS6 / SCK0 — Port S I/O Pin 6

PS6 is a general purpose input or output pin. It can be configured as the serial clock pin SCK of the Serial Peripheral Interface 0 (SPI0).

### 2.3.52 PS5 / MOSI0 — Port S I/O Pin 5

PS5 is a general purpose input or output pin. It can be configured as master output (during master mode) or slave input pin (during slave mode) MOSI of the Serial Peripheral Interface 0 (SPI0).

### 2.3.53 PS4 / MISO0 — Port S I/O Pin 4

PS4 is a general purpose input or output pin. It can be configured as master input (during master mode) or slave output pin (during slave mode) MOSI of the Serial Peripheral Interface 0 (SPI0).

### 2.3.54 PS3 / TXD1 — Port S I/O Pin 3

PS3 is a general purpose input or output pin. It can be configured as the transmit pin TXD of Serial Communication Interface 1 (SCI1).

### 2.3.55 PS2 / RXD1 — Port S I/O Pin 2

PS2 is a general purpose input or output pin. It can be configured as the receive pin RXD of Serial Communication Interface 1 (SCI1).

### 2.3.56 PS1 / TXD0 — Port S I/O Pin 1

PS1 is a general purpose input or output pin. It can be configured as the transmit pin TXD of Serial Communication Interface 0 (SCI0).

### 2.3.57 PS0 / RXD0 — Port S I/O Pin 0

PS0 is a general purpose input or output pin. It can be configured as the receive pin RXD of Serial Communication Interface 0 (SCI0).

### 2.3.58 PT[7:0] / IOC[7:0] — Port T I/O Pins [7:0]

PT7-PT0 are general purpose input or output pins. They can be configured as input capture or output compare pins IOC7-IOC0 of the Enhanced Capture Timer (ECT).

## 2.4 Power Supply Pins

MC9S12DT256 power and ground pins are described below.

**NOTE:** *All VSS pins must be connected together in the application.*

### 2.4.1 VDDX,VSSX — Power & Ground Pins for I/O Drivers

External power and ground for I/O drivers. Because fast signal transitions place high, short-duration current demands on the power supply, use bypass capacitors with high-frequency characteristics and place them as close to the MCU as possible. Bypass requirements depend on how heavily the MCU pins are loaded.

### 2.4.2 VDDR, VSSR — Power & Ground Pins for I/O Drivers & for Internal Voltage Regulator

External power and ground for I/O drivers and input to the internal voltage regulator. Because fast signal transitions place high, short-duration current demands on the power supply, use bypass capacitors with high-frequency characteristics and place them as close to the MCU as possible. Bypass requirements depend on how heavily the MCU pins are loaded.

### 2.4.3 VDD1, VDD2, VSS1, VSS2 — Core Power Pins

Power is supplied to the MCU through VDD and VSS. Because fast signal transitions place high, short-duration current demands on the power supply, use bypass capacitors with high-frequency characteristics and place them as close to the MCU as possible. This 2.5V supply is derived from the internal voltage regulator. There is no static load on those pins allowed. The internal voltage regulator is turned off, if VREGEN is tied to ground.

**NOTE:** No load allowed except for bypass capacitors.

### 2.4.4 VDDA, VSSA — Power Supply Pins for ATD and VREG

VDDA, VSSA are the power supply and ground input pins for the voltage regulator and the analog to digital converter. It also provides the reference for the internal voltage regulator. This allows the supply voltage to the ATD and the reference voltage to be bypassed independently.

### 2.4.5 VRH, VRL — ATD Reference Voltage Input Pins

VRH and VRL are the reference voltage input pins for the analog to digital converter.

### 2.4.6 VDDPLL, VSSPLL — Power Supply Pins for PLL

Provides operating voltage and ground for the Oscillator and the Phased-Locked Loop. This allows the supply voltage to the Oscillator and PLL to be bypassed independently. This 2.5V voltage is generated by the internal voltage regulator.

**NOTE:** No load allowed except for bypass capacitors.

**Table 2-2 MC9S12DP256 Power and Ground Connection Summary**

| Mnemonic           | Pin Number  | Nominal Voltage | Description                                                                                                                                                                                |
|--------------------|-------------|-----------------|--------------------------------------------------------------------------------------------------------------------------------------------------------------------------------------------|
|                    | 112-pin QFP |                 |                                                                                                                                                                                            |
| V <sub>DD1,2</sub> | 13, 65      | 2.5 V           | Internal power and ground generated by internal regulator                                                                                                                                  |
| V <sub>SS1,2</sub> | 14, 66      | 0V              |                                                                                                                                                                                            |
| V <sub>DDR</sub>   | 41          | 5.0 V           | External power and ground, supply to pin drivers and internal voltage regulator.                                                                                                           |
| V <sub>SSR</sub>   | 40          | 0 V             |                                                                                                                                                                                            |
| V <sub>DDX</sub>   | 107         | 5.0 V           | External power and ground, supply to pin drivers.                                                                                                                                          |
| V <sub>SSX</sub>   | 106         | 0 V             |                                                                                                                                                                                            |
| V <sub>DDA</sub>   | 83          | 5.0 V           | Operating voltage and ground for the analog-to-digital converters and the reference for the internal voltage regulator, allows the supply voltage to the A/D to be bypassed independently. |
| V <sub>SSA</sub>   | 86          | 0 V             |                                                                                                                                                                                            |
| V <sub>RL</sub>    | 85          | 0 V             | Reference voltages for the analog-to-digital converter.                                                                                                                                    |
| V <sub>RH</sub>    | 84          | 5.0 V           |                                                                                                                                                                                            |

| Mnemonic           | Pin Number  | Nominal Voltage | Description                                                                                                                                                                                          |
|--------------------|-------------|-----------------|------------------------------------------------------------------------------------------------------------------------------------------------------------------------------------------------------|
|                    | 112-pin QFP |                 |                                                                                                                                                                                                      |
| V <sub>DDPLL</sub> | 43          | 2.5 V           | Provides operating voltage and ground for the Phased-Locked Loop. This allows the supply voltage to the PLL to be bypassed independently. Internal power and ground generated by internal regulator. |
| V <sub>SSPLL</sub> | 45          | 0 V             |                                                                                                                                                                                                      |
| VREGEN             | 97          | 5V              | Internal Voltage Regulator enable/disable                                                                                                                                                            |

## 2.4.7 VREGEN — On Chip Voltage Regulator Enable

Enables the internal 5V to 2.5V voltage regulator. If this pin is tied low, VDD1,2 and VDDPLL must be supplied externally.

## Section 3 System Clock Description

### 3.1 Overview

The Clock and Reset Generator provides the internal clock signals for the core and all peripheral modules.

**Figure 3-1** shows the clock connections from the CRG to all modules.

Consult the CRG Block User Guide for details on clock generation.

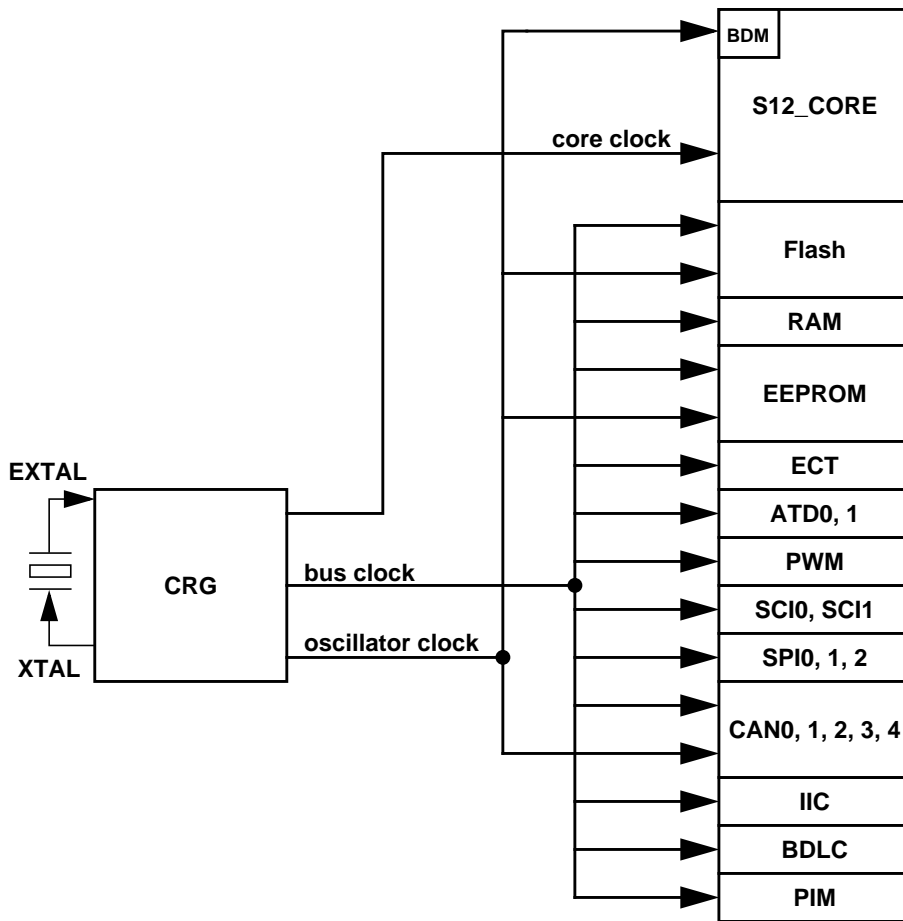


Figure 3-1 Clock Connections





## Section 4 Modes of Operation

### 4.1 Overview

Eight possible modes determine the operating configuration of the MC9S12DT256. Each mode has an associated default memory map and external bus configuration controlled by a further pin.

Three low power modes exist for the device.

### 4.2 Chip Configuration Summary

The operating mode out of reset is determined by the states of the MODC, MODB, and MODA pins during reset (**Table 4-1**). The MODC, MODB, and MODA bits in the MODE register show the current operating mode and provide limited mode switching during operation. The states of the MODC, MODB, and MODA pins are latched into these bits on the rising edge of the reset signal. The ROMCTL signal allows the setting of the ROMON bit in the MISC register thus controlling whether the internal Flash is visible in the memory map. ROMON = 1 mean the Flash is visible in the memory map. The state of the ROMCTL pin is latched into the ROMON bit in the MISC register on the rising edge of the reset signal.

**Table 4-1 Mode Selection**

| BKGD =<br>MODC | PE6 =<br>MODB | PE5 =<br>MODA | PK7 =<br>ROMCTL | ROMON<br>Bit | Mode Description                                                                                                                    |
|----------------|---------------|---------------|-----------------|--------------|-------------------------------------------------------------------------------------------------------------------------------------|
| 0              | 0             | 0             | X               | 1            | Special Single Chip, BDM allowed and ACTIVE. BDM is allowed in all other modes but a serial command is required to make BDM active. |
| 0              | 0             | 1             | 0               | 1            | Emulation Expanded Narrow, BDM allowed                                                                                              |
|                |               |               | 1               | 0            |                                                                                                                                     |
| 0              | 1             | 0             | X               | 0            | Special Test (Expanded Wide), BDM allowed                                                                                           |
| 0              | 1             | 1             | 0               | 1            | Emulation Expanded Wide, BDM allowed                                                                                                |
|                |               |               | 1               | 0            |                                                                                                                                     |
| 1              | 0             | 0             | X               | 1            | Normal Single Chip, BDM allowed                                                                                                     |
| 1              | 0             | 1             | 0               | 0            | Normal Expanded Narrow, BDM allowed                                                                                                 |
|                |               |               | 1               | 1            |                                                                                                                                     |
| 1              | 1             | 0             | X               | 1            | Peripheral; BDM allowed but bus operations would cause bus conflicts (must not be used)                                             |
| 1              | 1             | 1             | 0               | 0            | Normal Expanded Wide, BDM allowed                                                                                                   |
|                |               |               | 1               | 1            |                                                                                                                                     |

For further explanation on the modes refer to the Core User Guide.

**Table 4-2 Clock Selection Based on PE7**

| PE7 = $\overline{XCLKS}$ | Description                  |
|--------------------------|------------------------------|
| 1                        | Colpitts Oscillator selected |

**Table 4-2 Clock Selection Based on PE7**

| PE7 = XCLKS | Description                               |
|-------------|-------------------------------------------|
| 0           | Pierce Oscillator/external clock selected |

**Table 4-3 Voltage Regulator VREGEN**

| VREGEN | Description                                                                                  |
|--------|----------------------------------------------------------------------------------------------|
| 1      | Internal Voltage Regulator enabled                                                           |
| 0      | Internal Voltage Regulator disabled, VDD1,2 and VDDPLL must be supplied externally with 2.5V |

## 4.3 Security

The device will make available a security feature preventing the unauthorized read and write of the memory contents. This feature allows:

- Protection of the contents of FLASH,
- Protection of the contents of EEPROM,
- Operation in single-chip mode,
- Operation from external memory with internal FLASH and EEPROM disabled.

The user must be reminded that part of the security must lie with the user's code. An extreme example would be user's code that dumps the contents of the internal program. This code would defeat the purpose of security. At the same time the user may also wish to put a back door in the user's program. An example of this is the user downloads a key through the SCI which allows access to a programming routine that updates parameters stored in EEPROM.

### 4.3.1 Securing the Microcontroller

Once the user has programmed the FLASH and EEPROM (if desired), the part can be secured by programming the security bits located in the FLASH module. These non-volatile bits will keep the part secured through resetting the part and through powering down the part.

The security byte resides in a portion of the Flash array.

Check the Flash Block User Guide for more details on the security configuration.

### 4.3.2 Operation of the Secured Microcontroller

#### 4.3.2.1 Normal Single Chip Mode

This will be the most common usage of the secured part. Everything will appear the same as if the part was not secured with the exception of BDM operation. The BDM operation will be blocked.

### 4.3.2.2 Executing from External Memory

The user may wish to execute from external space with a secured microcontroller. This is accomplished by resetting directly into expanded mode. The internal FLASH and EEPROM will be disabled. BDM operations will be blocked.

### 4.3.3 Unsecuring the Microcontroller

In order to unsecure the microcontroller, the internal FLASH and EEPROM must be erased. This can be done through an external program in expanded mode.

Once the user has erased the FLASH and EEPROM, the part can be reset into special single chip mode. This invokes a program that verifies the erasure of the internal FLASH and EEPROM. Once this program completes, the user can erase and program the FLASH security bits to the unsecured state. This is generally done through the BDM, but the user could also change to expanded mode (by writing the mode bits through the BDM) and jumping to an external program (again through BDM commands). Note that if the part goes through a reset before the security bits are reprogrammed to the unsecure state, the part will be secured again.

## 4.4 Low Power Modes

The microcontroller features three main low power modes. Consult the respective Block User Guide for information on the module behavior in Stop, Pseudo Stop, and Wait Mode. An important source of information about the clock system is the Clock and Reset Generator User Guide (CRG).

### 4.4.1 Stop

Executing the CPU STOP instruction stops all clocks and the oscillator thus putting the chip in fully static mode. Wake up from this mode can be done via reset or external interrupts.

### 4.4.2 Pseudo Stop

This mode is entered by executing the CPU STOP instruction. In this mode the oscillator is still running and the Real Time Interrupt (RTI) or Watchdog (COP) sub module can stay active. Other peripherals are turned off. This mode consumes more current than the full STOP mode, but the wake up time from this mode is significantly shorter.

### 4.4.3 Wait

This mode is entered by executing the CPU WAI instruction. In this mode the CPU will not execute instructions. The internal CPU signals (address and databus) will be fully static. All peripherals stay active. For further power consumption the peripherals can individually turn off their local clocks.

#### 4.4.4 Run

Although this is not a low power mode, unused peripheral modules should not be enabled in order to save power.

## Section 5 Resets and Interrupts

### 5.1 Overview

Consult the Exception Processing section of the HCS12 Core User Guide for information on resets and interrupts.

### 5.2 Vectors

#### 5.2.1 Vector Table

Table 5-1 lists interrupt sources and vectors in default order of priority.

**Table 5-1 Interrupt Vector Locations**

| Vector Address | Interrupt Source                 | CCR Mask | Local Enable                     | HPRIO Value to Elevate |
|----------------|----------------------------------|----------|----------------------------------|------------------------|
| \$FFFE, \$FFFF | Reset                            | None     | None                             | –                      |
| \$FFFC, \$FFFD | Clock Monitor fail reset         | None     | PLLCTL (CME, SCME)               | –                      |
| \$FFFA, \$FFFB | COP failure reset                | None     | COP rate select                  | –                      |
| \$FFF8, \$FFF9 | Unimplemented instruction trap   | None     | None                             | –                      |
| \$FFF6, \$FFF7 | SWI                              | None     | None                             | –                      |
| \$FFF4, \$FFF5 | XIRQ                             | X-Bit    | None                             | –                      |
| \$FFF2, \$FFF3 | IRQ                              | I-Bit    | IRQCR (IRQEN)                    | \$F2                   |
| \$FFF0, \$FFF1 | Real Time Interrupt              | I-Bit    | CRGINT (RTIE)                    | \$F0                   |
| \$FFEE, \$FFEF | Enhanced Capture Timer channel 0 | I-Bit    | TIE (C0I)                        | \$EE                   |
| \$FFEC, \$FFED | Enhanced Capture Timer channel 1 | I-Bit    | TIE (C1I)                        | \$EC                   |
| \$FFEA, \$FFEB | Enhanced Capture Timer channel 2 | I-Bit    | TIE (C2I)                        | \$EA                   |
| \$FFE8, \$FFE9 | Enhanced Capture Timer channel 3 | I-Bit    | TIE (C3I)                        | \$E8                   |
| \$FFE6, \$FFE7 | Enhanced Capture Timer channel 4 | I-Bit    | TIE (C4I)                        | \$E6                   |
| \$FFE4, \$FFE5 | Enhanced Capture Timer channel 5 | I-Bit    | TIE (C5I)                        | \$E4                   |
| \$FFE2, \$FFE3 | Enhanced Capture Timer channel 6 | I-Bit    | TIE (C6I)                        | \$E2                   |
| \$FFE0, \$FFE1 | Enhanced Capture Timer channel 7 | I-Bit    | TIE (C7I)                        | \$E0                   |
| \$FFDE, \$FFDF | Enhanced Capture Timer overflow  | I-Bit    | TSRC2 (TOF)                      | \$DE                   |
| \$FFDC, \$FFDD | Pulse accumulator A overflow     | I-Bit    | PACTL (PAOVI)                    | \$DC                   |
| \$FFDA, \$FFDB | Pulse accumulator input edge     | I-Bit    | PACTL (PAI)                      | \$DA                   |
| \$FFD8, \$FFD9 | SPI0                             | I-Bit    | SP0CR1 (SPIE, SPTIE)             | \$D8                   |
| \$FFD6, \$FFD7 | SCI0                             | I-Bit    | SC0CR2<br>(TIE, TCIE, RIE, ILIE) | \$D6                   |
| \$FFD4, \$FFD5 | SCI1                             | I-Bit    | SC1CR2<br>(TIE, TCIE, RIE, ILIE) | \$D4                   |
| \$FFD2, \$FFD3 | ATD0                             | I-Bit    | ATD0CTL2 (ASCIE)                 | \$D2                   |

|                  |                                |       |                          |      |              |       |                         |      |
|------------------|--------------------------------|-------|--------------------------|------|--------------|-------|-------------------------|------|
| \$FFD0, \$FFD1   | ATD1                           | I-Bit | ATD1CTL2 (ASCIE)         | \$D0 |              |       |                         |      |
| \$FFCE, \$FFCF   | Port J                         | I-Bit | PTJIF (PTJIE)            | \$CE |              |       |                         |      |
| \$FFCC, \$FFCD   | Port H                         | I-Bit | PTHIF(PTHIE)             | \$CC |              |       |                         |      |
| \$FFCA, \$FFCB   | Modulus Down Counter underflow | I-Bit | MCCTL(MCZI)              | \$CA |              |       |                         |      |
| \$FFC8, \$FFC9   | Pulse Accumulator B Overflow   | I-Bit | PBCTL(PBOVI)             | \$C8 |              |       |                         |      |
| \$FFC6, \$FFC7   | CRG PLL lock                   | I-Bit | CRGINT(LOCKIE)           | \$C6 |              |       |                         |      |
| \$FFC4, \$FFC5   | CRG Self Clock Mode            | I-Bit | CRGINT (SCMIE)           | \$C4 |              |       |                         |      |
| \$FFC2, \$FFC3   | BDLC                           | I-Bit | DLCBCR1(IE)              | \$C2 |              |       |                         |      |
| \$FFC0, \$FFC1   | IIC Bus                        | I-Bit | IBCR (IBIE)              | \$C0 |              |       |                         |      |
| \$FFBE, \$FFBF   | SPI1                           | I-Bit | SP1CR1 (SPIE, SPTIE)     | \$BE |              |       |                         |      |
| \$FFBC, \$FFBD   | SPI2                           | I-Bit | SP2CR1 (SPIE, SPTIE)     | \$BC |              |       |                         |      |
| \$FFBA, \$FFBB   | EEPROM                         | I-Bit | ECNFG (CCIE, CBEIE)      | \$BA |              |       |                         |      |
| \$FFB8, \$FFB9   | FLASH                          | I-Bit | FCNFG (CCIE, CBEIE)      | \$B8 |              |       |                         |      |
| \$FFB6, \$FFB7   | CAN0 wake-up                   | I-Bit | CAN0RIER (WUPIE)         | \$B6 |              |       |                         |      |
| \$FFB4, \$FFB5   | CAN0 errors                    | I-Bit | CAN0RIER (CSCIE, OVRIE)  | \$B4 |              |       |                         |      |
| \$FFB2, \$FFB3   | CAN0 receive                   | I-Bit | CAN0RIER (RXFIE)         | \$B2 |              |       |                         |      |
| \$FFB0, \$FFB1   | CAN0 transmit                  | I-Bit | CAN0TIER (TXEIE2-TXEIE0) | \$B0 |              |       |                         |      |
| \$FFAE, \$FFAF   | CAN1 wake-up                   | I-Bit | CAN1RIER (WUPIE)         | \$AE |              |       |                         |      |
| \$FFAC, \$FFAD   | CAN1 errors                    | I-Bit | CAN1RIER (CSCIE, OVRIE)  | \$AC |              |       |                         |      |
| \$FFAA, \$FFAB   | CAN1 receive                   | I-Bit | CAN1RIER (RXFIE)         | \$AA |              |       |                         |      |
| \$FFA8, \$FFA9   | CAN1 transmit                  | I-Bit | CAN1TIER (TXEIE2-TXEIE0) | \$A8 |              |       |                         |      |
| \$FFA6, \$FFA7   | Reserved                       |       |                          |      |              |       |                         |      |
| \$FFA4, \$FFA5   |                                |       |                          |      |              |       |                         |      |
| \$FFA2, \$FFA3   |                                |       |                          |      |              |       |                         |      |
| \$FFA0, \$FFA1   |                                |       |                          |      |              |       |                         |      |
| \$FF9E, \$FF9F   |                                |       |                          |      |              |       |                         |      |
| \$FF9C, \$FF9D   |                                |       |                          |      |              |       |                         |      |
| \$FF9A, \$FF9B   |                                |       |                          |      |              |       |                         |      |
| \$FF98, \$FF99   |                                |       |                          |      |              |       |                         |      |
| \$FF96, \$FF97   |                                |       |                          |      | CAN4 wake-up | I-Bit | CAN4RIER (WUPIE)        | \$96 |
| \$FF94, \$FF95   |                                |       |                          |      | CAN4 errors  | I-Bit | CAN4RIER (CSCIE, OVRIE) | \$94 |
| \$FF92, \$FF93   | CAN4 receive                   | I-Bit | CAN4RIER (RXFIE)         | \$92 |              |       |                         |      |
| \$FF90, \$FF91   | CAN4 transmit                  | I-Bit | CAN4TIER (TXEIE2-TXEIE0) | \$90 |              |       |                         |      |
| \$FF8E, \$FF8F   | Port P Interrupt               | I-Bit | PTPIF (PTPIE)            | \$8E |              |       |                         |      |
| \$FF8C, \$FF8D   | PWM Emergency Shutdown         | I-Bit | PWMSDN (PWMIE)           | \$8C |              |       |                         |      |
| \$FF80 to \$FF8B | Reserved                       |       |                          |      |              |       |                         |      |

## 5.3 Effects of Reset

When a reset occurs, MCU registers and control bits are changed to known start-up states. Refer to the respective module Block User Guides for register reset states.

### 5.3.1 I/O pins

Refer to the HCS12 Core User Guides for mode dependent pin configuration of port A, B, E and K out of reset.

Refer to the PIM Block User Guide for reset configurations of all peripheral module ports.

**NOTE:** *For devices assembled in 80-pin QFP packages all non-bonded out pins should be configured as outputs after reset in order to avoid current drawn from floating inputs. Refer to **Table 2-1** for affected pins.*

### 5.3.2 Memory

Refer to **Table 1-1** for locations of the memories depending on the operating mode after reset.

The RAM array is not automatically initialized out of reset.





## Section 6 HCS12 Core Block Description

### 6.1 CPU12 Block Description

Consult the CPU12 Reference Manual for information on the CPU.

When the CPU12 Reference Manual refers to *cycles* this is equivalent to *Bus Clock Periods*.

### 6.2 HCS12 Module Mapping Control (MMC) Block Description

Consult the MMC Block User Guide for information on the Module Mapping Control Block.

#### 6.2.1 Device specific information

- INITEE
  - Reset state: \$01
  - Bits EE11-EE15 are writeable once in Normal and Emulation Mode
- PPAGE
  - Reset state : \$00
  - Register is writeable anytime in all modes

### 6.3 HCS12 Multiplexed External Bus Interface (MEBI) Block Description

Consult the MEBI Block Guide for information on Multiplexed External Bus Interface.

#### 6.3.1 Device specific information

- PUCR
  - Reset State : \$90

### 6.4 HCS12 Interrupt (INT) Block description

Consult the INT Block guide for information on HCS12 Interrupt block.

### 6.5 HCS12 Background Debug (BDM) Block Description

Consult the BDM Block guide for information on HCS12 Background Debug block

## 6.6 HCS12 Breakpoint (BKP) Block Description

Consult the BKP Block guide for information on HCS12 breakpoint block

## Section 7 Clock and Reset Generator (CRG) Block Description

Consult the CRG Block User Guide for information about the Clock and Reset Generator module.

### 7.1 Device-specific information

#### 7.1.1 $\overline{\text{XCLKS}}$

The  $\overline{\text{XCLKS}}$  input signal is active low (see **2.3.13 PE7 / NOACC / XCLKS — Port E I/O Pin 7**).

## Section 8 Enhanced Capture Timer (ECT) Block Description

Consult the ECT\_16B8C Block User Guide for information about the Enhanced Capture Timer module. When the ECT\_16B8C Block Guide refers to freeze mode this is equivalent to active BDM mode.

## Section 9 Analog to Digital Converter (ATD) Block Description

There are two Analog to Digital Converters (ATD1 and ATD0) implemented on the MC9S12DT256. Consult the ATD\_10B8C Block User Guide for information about each Analog to Digital Converter module. When the ATD\_10B8C Block Guide refers to freeze mode this is equivalent to active BDM mode.

## Section 10 Inter-IC Bus (IIC) Block Description

Consult the IIC Block User Guide for information about the Inter-IC Bus module.

## Section 11 Serial Communications Interface (SCI) Block Description

There are two Serial Communications Interfaces (SCI1 and SCI0) implemented on the MC9S12DT256 device. Consult the SCI Block User Guide for information about each Serial Communications Interface module.

## Section 12 Serial Peripheral Interface (SPI) Block Description

There are three Serial Peripheral Interfaces (SPI2, SPI1 and SPI0) implemented on MC9S12DT256. Consult the SPI Block User Guide for information about each Serial Peripheral Interface module.

## Section 13 J1850 (BDLC) Block Description

Consult the BDLC Block User Guide for information about the J1850 module.

## Section 14 Pulse Width Modulator (PWM) Block Description

Consult the PWM\_8B8C Block User Guide for information about the Pulse Width Modulator module. When the PWM\_8B8C Block Guide refers to freeze mode this is equivalent to active BDM mode.

## Section 15 Flash EEPROM 256K Block Description

The "S12 LRAE" is a generic Load RAM and Execute (LRAE) program which will be programmed into the flash memory of this device during manufacture. This LRAE program will provide greater programming flexibility to the end users by allowing the device to be programmed directly using CAN or SCI after it is assembled on the PCB. Use of the LRAE program is at the discretion of the end user and, if not required, it must simply be erased prior to flash programming. For more details of the S12 LRAE and its implementation, please see the S12 LRAE Application Note (AN2546/D).

It is planned that most HC9S12 devices manufactured after Q1 of 2004 will be shipped with the S12 LRAE programmed in the Flash. Exact details of the changeover (i.e. blank to programmed) for each product will be communicated in advance via GPCN and will be traceable by the customer via datecode marking on the device.

Please contact Motorola SPS Sales if you have any additional questions.

Consult the FTS256K Block User Guide for information about the flash module.

## Section 16 EEPROM 4K Block Description

Consult the EETS4K Block User Guide for information about the EEPROM module.

## **Section 17 RAM Block Description**

This module supports single-cycle misaligned word accesses.

## **Section 18 MSCAN Block Description**

There are three MSCAN modules (CAN4, CAN1 and CAN0) implemented on the MC9S12DT256. Consult the MSCAN Block User Guide for information about the Motorola Scalable CAN Module.

## **Section 19 Port Integration Module (PIM) Block Description**

Consult the PIM\_9DP256 Block User Guide for information about the Port Integration Module.

## **Section 20 Voltage Regulator (VREG) Block Description**

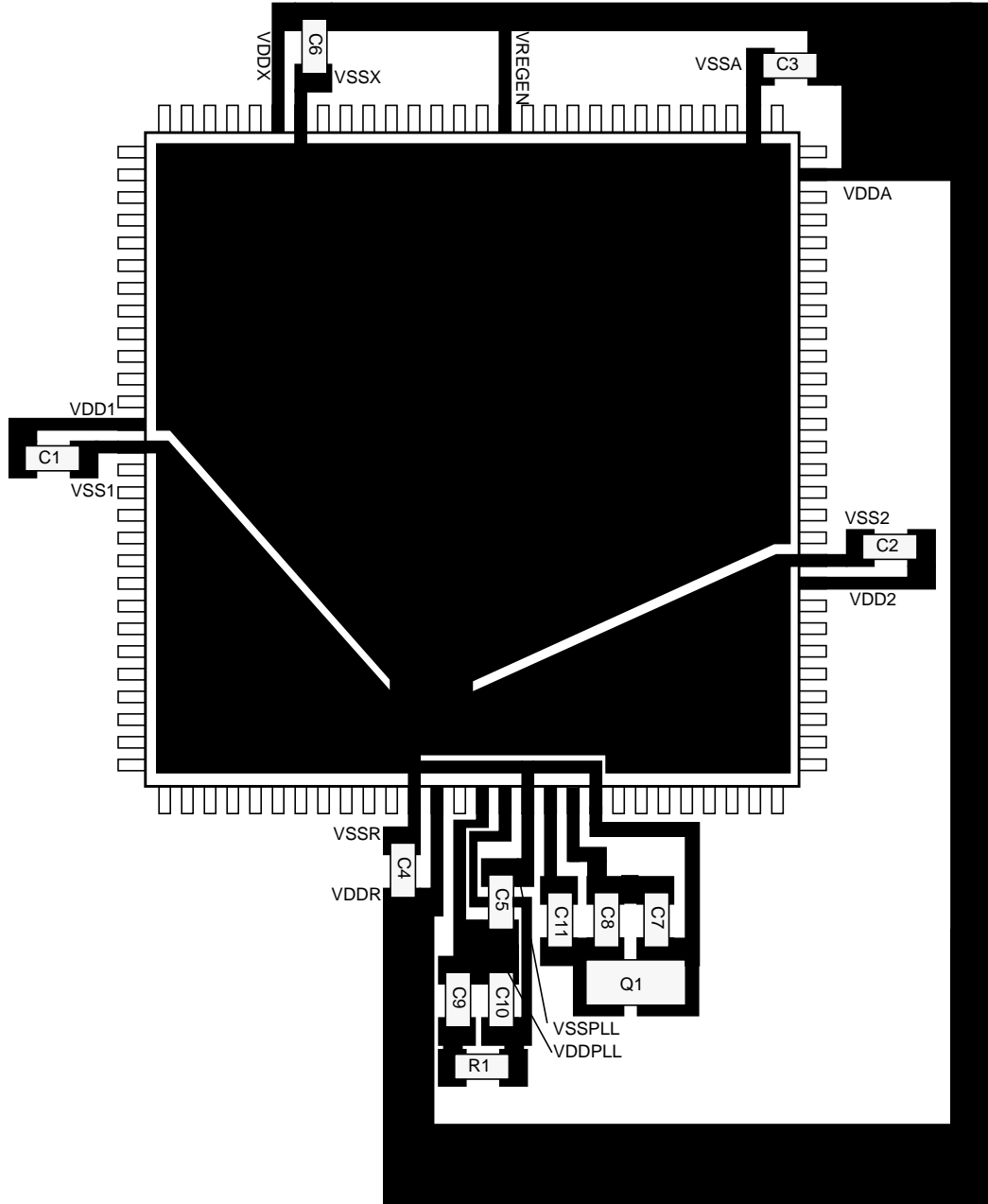
Consult the VREG Block User Guide for information about the dual output linear voltage regulator.

| Component             | Purpose             | Type                                                      | Value        |
|-----------------------|---------------------|-----------------------------------------------------------|--------------|
| C1                    | VDD1 filter cap     | ceramic X7R                                               | 100 .. 220nF |
| C2                    | VDD2 filter cap     | ceramic X7R                                               | 100 .. 220nF |
| C3                    | VDDA filter cap     | ceramic X7R                                               | 100nF        |
| C4                    | VDDR filter cap     | X7R/tantalum                                              | >=100nF      |
| C5                    | VDDPLL filter cap   | ceramic X7R                                               | 100nF        |
| C6                    | VDDX filter cap     | X7R/tantalum                                              | >=100nF      |
| C7                    | OSC load cap        |                                                           |              |
| C8                    | OSC load cap        |                                                           |              |
| C9 / C <sub>S</sub>   | PLL loop filter cap | See PLL specification chapter                             |              |
| C10 / C <sub>P</sub>  | PLL loop filter cap |                                                           |              |
| C11 / C <sub>DC</sub> | DC cutoff cap       | Colpitts mode only, if recommended by quartz manufacturer |              |
| R1 / R                | PLL loop filter res | See PLL Specification chapter                             |              |
| R2 / R <sub>B</sub>   |                     | Pierce mode only                                          |              |
| R3 / R <sub>S</sub>   |                     |                                                           |              |
| Q1                    | Quartz              |                                                           |              |

The PCB must be carefully laid out to ensure proper operation of the voltage regulator as well as of the MCU itself. The following rules must be observed:

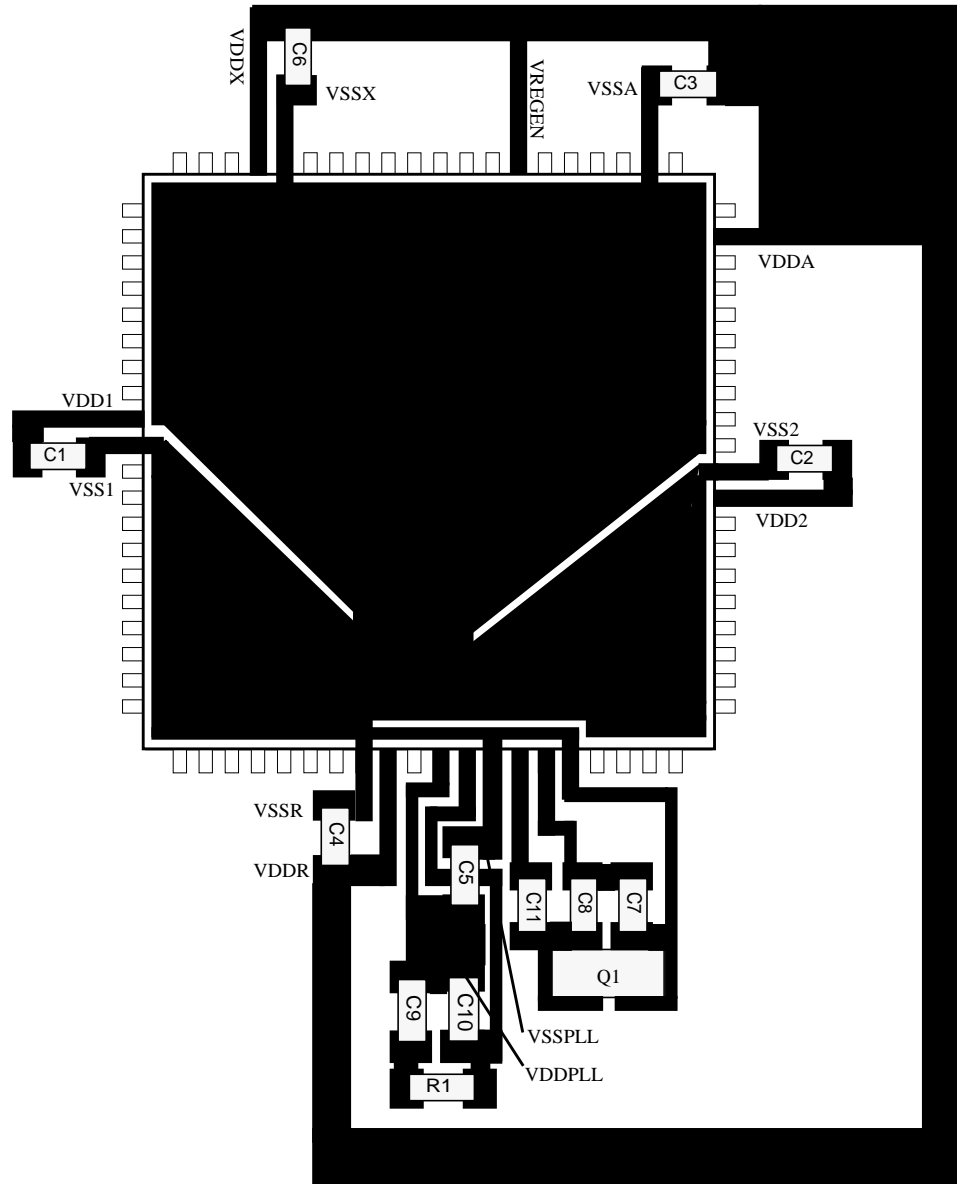
- Every supply pair must be decoupled by a ceramic capacitor connected as near as possible to the corresponding pins (C1 – C6).
- Central point of the ground star should be the VSSR pin.
- Use low ohmic low inductance connections between VSS1, VSS2 and VSSR.
- VSSPLL must be directly connected to VSSR.
- Keep traces of VSSPLL, EXTAL and XTAL as short as possible and occupied board area for C7, C8, C11 and Q1 as small as possible.
- Do not place other signals or supplies underneath area occupied by C7, C8, C10 and Q1 and the connection area to the MCU.
- Central power input should be fed in at the VDDA/VSSA pins.

Figure 20-1 Recommended PCB Layout for 112LQFP Colpitts Oscillator



Freescale Semiconductor, Inc.

Figure 20-2 Recommended PCB Layout for 80QFP Colpitts Oscillator



Freescale Semiconductor, Inc.

**Figure 20-3 Recommended PCB Layout for 112LQFP Pierce Oscillator**

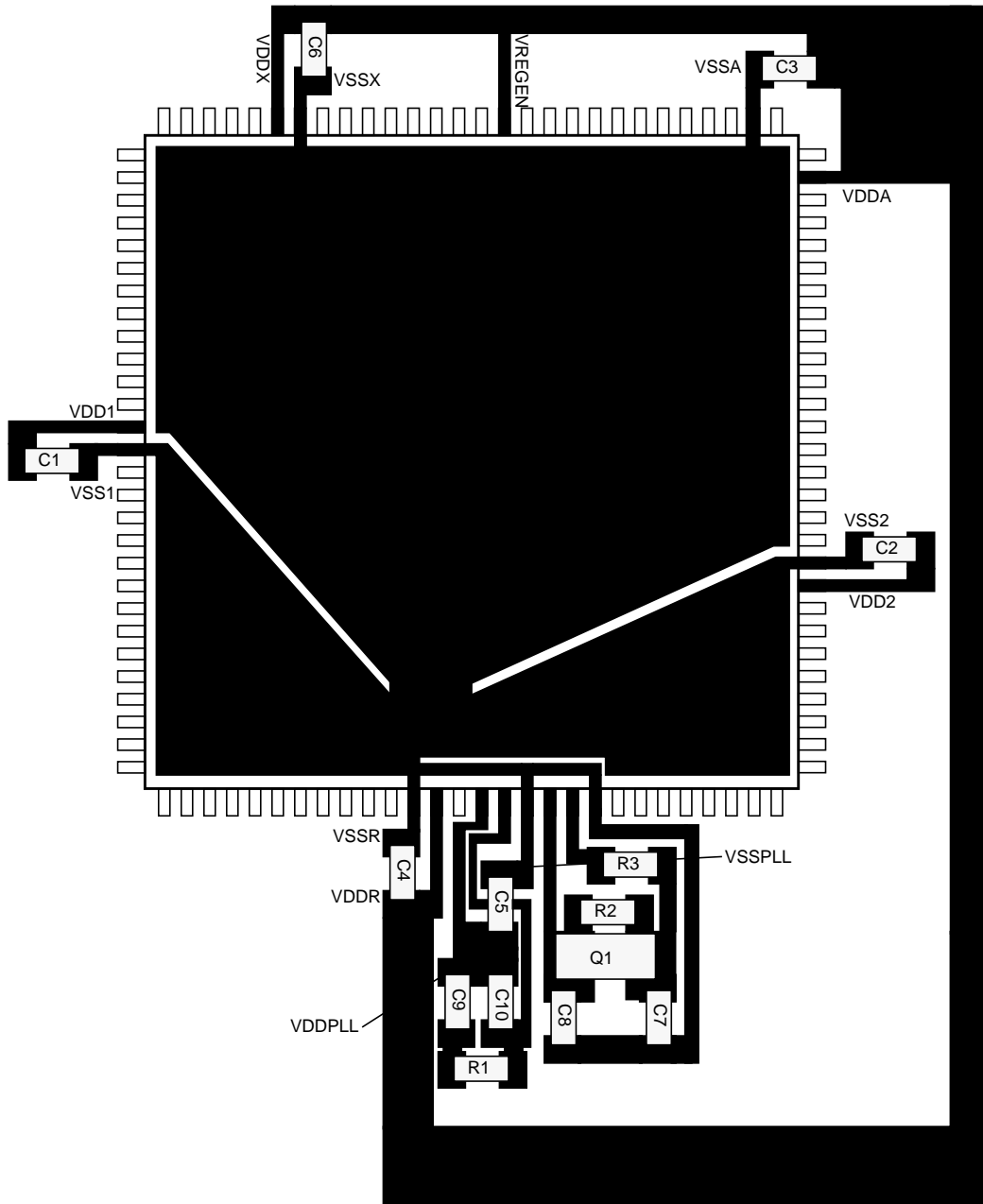
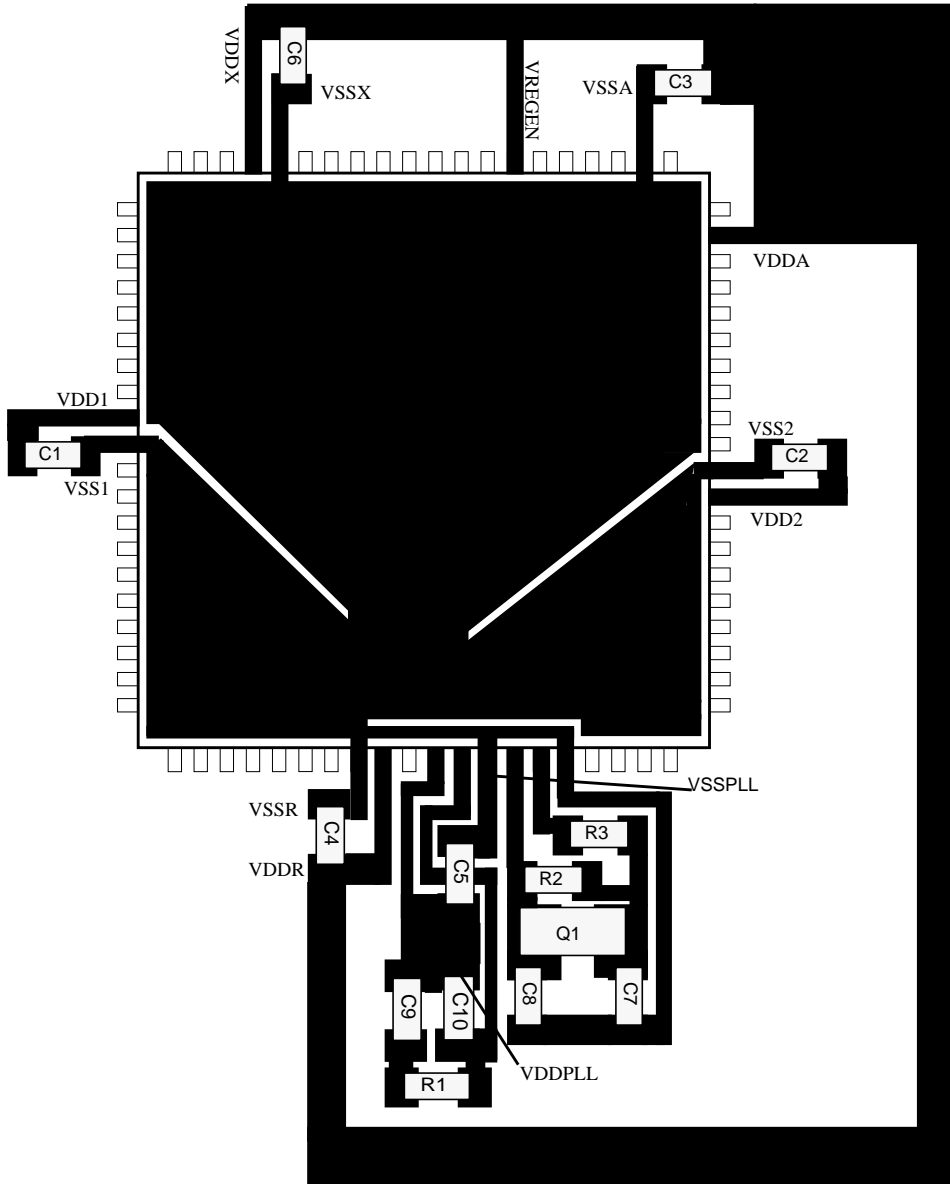




Figure 20-4 Recommended PCB Layout for 80QFP Pierce Oscillator



Freescale Semiconductor, Inc.



# Appendix A Electrical Characteristics

## A.1 General

**NOTE:** *The electrical characteristics given in this section are preliminary and should be used as a guide only. Values cannot be guaranteed by Motorola and are subject to change without notice.*

This supplement contains the most accurate electrical information for the MC9S12DT256 microcontroller available at the time of publication. The information should be considered **PRELIMINARY** and is subject to change.

This introduction is intended to give an overview on several common topics like power supply, current injection etc.

### A.1.1 Parameter Classification

The electrical parameters shown in this supplement are guaranteed by various methods. To give the customer a better understanding the following classification is used and the parameters are tagged accordingly in the tables where appropriate.

**NOTE:** *This classification is shown in the column labeled “C” in the parameter tables where appropriate.*

P:

Those parameters are guaranteed during production testing on each individual device.

C:

Those parameters are achieved by the design characterization by measuring a statistically relevant sample size across process variations.

T:

Those parameters are achieved by design characterization on a small sample size from typical devices under typical conditions unless otherwise noted. All values shown in the typical column are within this category.

D:

Those parameters are derived mainly from simulations.

### A.1.2 Power Supply

The MC9S12DT256 utilizes several pins to supply power to the I/O ports, A/D converter, oscillator and PLL as well as the digital core.

The VDDA, VSSA pair supplies the A/D converter and the resistor ladder of the internal voltage regulator.

The VDDX, VSSX, VDDR and VSSR pairs supply the I/O pins, VDDR supplies also the internal voltage regulator.

VDD1, VSS1, VDD2 and VSS2 are the supply pins for the digital logic, VDDPLL, VSSPLL supply the oscillator and the PLL.

VSS1 and VSS2 are internally connected by metal.

VDDA, VDDX, VDDR as well as VSSA, VSSX, VSSR are connected by anti-parallel diodes for ESD protection.

**NOTE:** *In the following context VDD5 is used for either VDDA, VDDR and VDDX; VSS5 is used for either VSSA, VSSR and VSSX unless otherwise noted. IDD5 denotes the sum of the currents flowing into the VDDA, VDDX and VDDR pins. VDD is used for VDD1, VDD2 and VDDPLL, VSS is used for VSS1, VSS2 and VSSPLL. IDD is used for the sum of the currents flowing into VDD1 and VDD2.*

### A.1.3 Pins

There are four groups of functional pins.

#### A.1.3.1 5V I/O pins

Those I/O pins have a nominal level of 5V. This class of pins is comprised of all port I/O pins, the analog inputs, BKGD and the RESET pins. The internal structure of all those pins is identical, however some of the functionality may be disabled. E.g. for the analog inputs the output drivers, pull-up and pull-down resistors are disabled permanently.

#### A.1.3.2 Analog Reference

This group is made up by the VRH and VRL pins.

#### A.1.3.3 Oscillator

The pins XFC, EXTAL, XTAL dedicated to the oscillator have a nominal 2.5V level. They are supplied by VDDPLL.

#### A.1.3.4 TEST

This pin is used for production testing only.

#### A.1.3.5 VREGEN

This pin is used to enable the on chip voltage regulator.

## A.1.4 Current Injection

Power supply must maintain regulation within operating  $V_{DD5}$  or  $V_{DD}$  range during instantaneous and operating maximum current conditions. If positive injection current ( $V_{in} > V_{DD5}$ ) is greater than  $I_{DD5}$ , the injection current may flow out of VDD5 and could result in external power supply going out of regulation. Ensure external VDD5 load will shunt current greater than maximum injection current. This will be the greatest risk when the MCU is not consuming power; e.g. if no system clock is present, or if clock rate is very low which would reduce overall power consumption.

## A.1.5 Absolute Maximum Ratings

Absolute maximum ratings are stress ratings only. A functional operation under or outside those maxima is not guaranteed. Stress beyond those limits may affect the reliability or cause permanent damage of the device.

This device contains circuitry protecting against damage due to high static voltage or electrical fields; however, it is advised that normal precautions be taken to avoid application of any voltages higher than maximum-rated voltages to this high-impedance circuit. Reliability of operation is enhanced if unused inputs are tied to an appropriate logic voltage level (e.g., either  $V_{SS5}$  or  $V_{DD5}$ ).

**Table A-1 Absolute Maximum Ratings<sup>1</sup>**

| Num | Rating                                                                                  | Symbol           | Min   | Max  | Unit |
|-----|-----------------------------------------------------------------------------------------|------------------|-------|------|------|
| 1   | I/O, Regulator and Analog Supply Voltage                                                | $V_{DD5}$        | -0.3  | 6.0  | V    |
| 2   | Digital Logic Supply Voltage <sup>2</sup>                                               | $V_{DD}$         | -0.3  | 3.0  | V    |
| 3   | PLL Supply Voltage <sup>2</sup>                                                         | $V_{DDPLL}$      | -0.3  | 3.0  | V    |
| 4   | Voltage difference VDDX to VDDR and VDDA                                                | $\Delta V_{DDX}$ | -0.3  | 0.3  | V    |
| 5   | Voltage difference VSSX to VSSR and VSSA                                                | $\Delta V_{SSX}$ | -0.3  | 0.3  | V    |
| 6   | Digital I/O Input Voltage                                                               | $V_{IN}$         | -0.3  | 6.0  | V    |
| 7   | Analog Reference                                                                        | $V_{RH}, V_{RL}$ | -0.3  | 6.0  | V    |
| 8   | XFC, EXTAL, XTAL inputs                                                                 | $V_{ILV}$        | -0.3  | 3.0  | V    |
| 9   | TEST input                                                                              | $V_{TEST}$       | -0.3  | 10.0 | V    |
| 10  | Instantaneous Maximum Current<br>Single pin limit for all digital I/O pins <sup>3</sup> | $I_D$            | -25   | +25  | mA   |
| 11  | Instantaneous Maximum Current<br>Single pin limit for XFC, EXTAL, XTAL <sup>4</sup>     | $I_{DL}$         | -25   | +25  | mA   |
| 12  | Instantaneous Maximum Current<br>Single pin limit for TEST <sup>5</sup>                 | $I_{DT}$         | -0.25 | 0    | mA   |
| 13  | Storage Temperature Range                                                               | $T_{stg}$        | -65   | 155  | °C   |

NOTES:

- Beyond absolute maximum ratings device might be damaged.

2. The device contains an internal voltage regulator to generate the logic and PLL supply out of the I/O supply. The absolute maximum ratings apply when the device is powered from an external source.
3. All digital I/O pins are internally clamped to  $V_{SSX}$  and  $V_{DDX}$ ,  $V_{SSR}$  and  $V_{DDR}$  or  $V_{SSA}$  and  $V_{DDA}$ .
4. Those pins are internally clamped to  $V_{SSPLL}$  and  $V_{DDPLL}$ .
5. This pin is clamped low to  $V_{SSR}$ , but not clamped high. This pin must be tied low in applications.

### A.1.6 ESD Protection and Latch-up Immunity

All ESD testing is in conformity with CDF-AEC-Q100 Stress test qualification for Automotive Grade Integrated Circuits. During the device qualification ESD stresses were performed for the Human Body Model (HBM), the Machine Model (MM) and the Charge Device Model.

A device will be defined as a failure if after exposure to ESD pulses the device no longer meets the device specification. Complete DC parametric and functional testing is performed per the applicable device specification at room temperature followed by hot temperature, unless specified otherwise in the device specification.

**Table A-2 ESD and Latch-up Test Conditions**

| Model      | Description                                     | Symbol | Value       | Unit |
|------------|-------------------------------------------------|--------|-------------|------|
| Human Body | Series Resistance                               | R1     | 1500        | Ohm  |
|            | Storage Capacitance                             | C      | 100         | pF   |
|            | Number of Pulse per pin<br>positive<br>negative | -      | -<br>3<br>3 |      |
| Machine    | Series Resistance                               | R1     | 0           | Ohm  |
|            | Storage Capacitance                             | C      | 200         | pF   |
|            | Number of Pulse per pin<br>positive<br>negative | -      | -<br>3<br>3 |      |
| Latch-up   | Minimum input voltage limit                     |        | -2.5        | V    |
|            | Maximum input voltage limit                     |        | 7.5         | V    |

**Table A-3 ESD and Latch-Up Protection Characteristics**

| Num | C | Rating                                                                | Symbol    | Min          | Max | Unit |
|-----|---|-----------------------------------------------------------------------|-----------|--------------|-----|------|
| 1   | C | Human Body Model (HBM)                                                | $V_{HBM}$ | 2000         | -   | V    |
| 2   | C | Machine Model (MM)                                                    | $V_{MM}$  | 200          | -   | V    |
| 3   | C | Charge Device Model (CDM)                                             | $V_{CDM}$ | 500          | -   | V    |
| 4   | C | Latch-up Current at $T_A = 125^\circ\text{C}$<br>positive<br>negative | $I_{LAT}$ | +100<br>-100 | -   | mA   |
| 5   | C | Latch-up Current at $T_A = 27^\circ\text{C}$<br>positive<br>negative  | $I_{LAT}$ | +200<br>-200 | -   | mA   |

## A.1.7 Operating Conditions

This chapter describes the operating conditions of the device. Unless otherwise noted those conditions apply to all the following data.

**NOTE:** Please refer to the temperature rating of the device (C, V, M) with regards to the ambient temperature  $T_A$  and the junction temperature  $T_J$ . For power dissipation calculations refer to **Section A.1.8 Power Dissipation and Thermal Characteristics**.

**Table A-4 Operating Conditions**

| Rating                                           | Symbol           | Min  | Typ | Max  | Unit |
|--------------------------------------------------|------------------|------|-----|------|------|
| I/O, Regulator and Analog Supply Voltage         | $V_{DD5}$        | 4.5  | 5   | 5.25 | V    |
| Digital Logic Supply Voltage <sup>1</sup>        | $V_{DD}$         | 2.35 | 2.5 | 2.75 | V    |
| PLL Supply Voltage <sup>1</sup>                  | $V_{DDPLL}$      | 2.35 | 2.5 | 2.75 | V    |
| Voltage Difference VDDX to VDDR and VDDA         | $\Delta V_{DDX}$ | -0.1 | 0   | 0.1  | V    |
| Voltage Difference VSSX to VSSR and VSSA         | $\Delta V_{SSX}$ | -0.1 | 0   | 0.1  | V    |
| Oscillator                                       | $f_{osc}$        | 0.5  | -   | 16   | MHz  |
| Bus Frequency                                    | $f_{bus}$        | 0.5  | -   | 25   | MHz  |
| <b>MC9S12DT256C</b>                              |                  |      |     |      |      |
| Operating Junction Temperature Range             | $T_J$            | -40  | -   | 100  | °C   |
| Operating Ambient Temperature Range <sup>2</sup> | $T_A$            | -40  | 27  | 85   | °C   |
| <b>MC9S12DT256V</b>                              |                  |      |     |      |      |
| Operating Junction Temperature Range             | $T_J$            | -40  | -   | 120  | °C   |
| Operating Ambient Temperature Range <sup>2</sup> | $T_A$            | -40  | 27  | 105  | °C   |
| <b>MC9S12DT256M</b>                              |                  |      |     |      |      |
| Operating Junction Temperature Range             | $T_J$            | -40  | -   | 140  | °C   |
| Operating Ambient Temperature Range <sup>2</sup> | $T_A$            | -40  | 27  | 125  | °C   |

NOTES:

1. The device contains an internal voltage regulator to generate the logic and PLL supply out of the I/O supply. The absolute maximum ratings apply when this regulator is disabled and the device is powered from an external source.
2. Please refer to **Section A.1.8 Power Dissipation and Thermal Characteristics** for more details about the relation between ambient temperature  $T_A$  and device junction temperature  $T_J$ .

## A.1.8 Power Dissipation and Thermal Characteristics

Power dissipation and thermal characteristics are closely related. The user must assure that the maximum operating junction temperature is not exceeded. The average chip-junction temperature ( $T_J$ ) in °C can be obtained from:

$$T_J = T_A + (P_D \cdot \Theta_{JA})$$

$T_J$  = Junction Temperature, [°C]

$T_A$  = Ambient Temperature, [°C]

$P_D$  = Total Chip Power Dissipation, [W]

$\Theta_{JA}$  = Package Thermal Resistance, [°C/W]

The total power dissipation can be calculated from:

$$P_D = P_{INT} + P_{IO}$$

$P_{INT}$  = Chip Internal Power Dissipation, [W]

Two cases with internal voltage regulator enabled and disabled must be considered:

1. Internal Voltage Regulator disabled

$$P_{INT} = I_{DD} \cdot V_{DD} + I_{DDPLL} \cdot V_{DDPLL} + I_{DDA} \cdot V_{DDA}$$

$$P_{IO} = \sum_i R_{DSON} \cdot I_{IO_i}^2$$

$P_{IO}$  is the sum of all output currents on I/O ports associated with VDDX and VDDR.

For  $R_{DSON}$  is valid:

$$R_{DSON} = \frac{V_{OL}}{I_{OL}}; \text{for outputs driven low}$$

respectively

$$R_{DSON} = \frac{V_{DD5} - V_{OH}}{I_{OH}}; \text{for outputs driven high}$$

2. Internal voltage regulator enabled

$$P_{INT} = I_{DDR} \cdot V_{DDR} + I_{DDA} \cdot V_{DDA}$$

$I_{DDR}$  is the current shown in **Table A-7** and not the overall current flowing into VDDR, which additionally contains the current flowing into the external loads with output high.

$$P_{IO} = \sum_i R_{DSON} \cdot I_{IO_i}^2$$

$P_{IO}$  is the sum of all output currents on I/O ports associated with VDDX and VDDR.



Table A-5 Thermal Package Characteristics<sup>1</sup>

| Num | C | Rating                                                                           | Symbol        | Min | Typ | Max | Unit |
|-----|---|----------------------------------------------------------------------------------|---------------|-----|-----|-----|------|
| 1   | T | Thermal Resistance LQFP112, single sided PCB <sup>2</sup>                        | $\theta_{JA}$ | -   | -   | 54  | °C/W |
| 2   | T | Thermal Resistance LQFP112, double sided PCB with 2 internal planes <sup>3</sup> | $\theta_{JA}$ | -   | -   | 41  | °C/W |
| 3   | T | Thermal Resistance LQFP 80, single sided PCB                                     | $\theta_{JA}$ | -   | -   | 51  | °C/W |
| 4   | T | Thermal Resistance LQFP 80, double sided PCB with 2 internal planes              | $\theta_{JA}$ | -   | -   | 41  | °C/W |

## NOTES:

1. The values for thermal resistance are achieved by package simulations
2. PC Board according to EIA/JEDEC Standard 51-2
3. PC Board according to EIA/JEDEC Standard 51-7

### A.1.9 I/O Characteristics

This section describes the characteristics of all 5V I/O pins. All parameters are not always applicable, e.g. not all pins feature pull up/down resistances.

**Table A-6 5V I/O Characteristics**

Conditions are shown in **Table A-4** unless otherwise noted

| Num | C | Rating                                                                                                    | Symbol                 | Min                  | Typ | Max                  | Unit    |
|-----|---|-----------------------------------------------------------------------------------------------------------|------------------------|----------------------|-----|----------------------|---------|
| 1   | P | Input High Voltage                                                                                        | $V_{IH}$               | $0.65 \cdot V_{DD5}$ | -   | -                    | V       |
|     | T | Input High Voltage                                                                                        | $V_{IH}$               | -                    | -   | $V_{DD5} + 0.3$      | V       |
| 2   | P | Input Low Voltage                                                                                         | $V_{IL}$               | -                    | -   | $0.35 \cdot V_{DD5}$ | V       |
|     | T | Input Low Voltage                                                                                         | $V_{IL}$               | $V_{SS5} - 0.3$      | -   | -                    | V       |
| 3   | C | Input Hysteresis                                                                                          | $V_{HYS}$              |                      | 250 |                      | mV      |
| 4   | P | Input Leakage Current (pins in high impedance input mode) <sup>1</sup><br>$V_{in} = V_{DD5}$ or $V_{SS5}$ | $I_{in}$               | -2.5                 | -   | 2.5                  | $\mu A$ |
| 5   | C | Output High Voltage (pins in output mode)<br>Partial Drive $I_{OH} = -2mA$                                | $V_{OH}$               | $V_{DD5} - 0.8$      | -   | -                    | V       |
| 6   | P | Output High Voltage (pins in output mode)<br>Full Drive $I_{OH} = -10mA$                                  | $V_{OH}$               | $V_{DD5} - 0.8$      | -   | -                    | V       |
| 7   | C | Output Low Voltage (pins in output mode)<br>Partial Drive $I_{OL} = +2mA$                                 | $V_{OL}$               | -                    | -   | 0.8                  | V       |
| 8   | P | Output Low Voltage (pins in output mode)<br>Full Drive $I_{OL} = +10mA$                                   | $V_{OL}$               | -                    | -   | 0.8                  | V       |
| 9   | P | Internal Pull Up Device Current, tested at $V_{IL}$ Max.                                                  | $I_{PUL}$              | -                    | -   | -130                 | $\mu A$ |
| 10  | C | Internal Pull Up Device Current, tested at $V_{IH}$ Min.                                                  | $I_{PUH}$              | -10                  | -   | -                    | $\mu A$ |
| 11  | P | Internal Pull Down Device Current, tested at $V_{IH}$ Min.                                                | $I_{PDH}$              | -                    | -   | 130                  | $\mu A$ |
| 12  | C | Internal Pull Down Device Current, tested at $V_{IL}$ Max.                                                | $I_{PDL}$              | 10                   | -   | -                    | $\mu A$ |
| 13  | D | Input Capacitance                                                                                         | $C_{in}$               |                      | 6   | -                    | pF      |
| 14  | T | Injection current <sup>2</sup><br>Single Pin limit<br>Total Device Limit. Sum of all injected currents    | $I_{ICS}$<br>$I_{ICP}$ | -2.5<br>-25          | -   | 2.5<br>25            | mA      |
| 15  | P | Port H, J, P Interrupt Input Pulse filtered <sup>3</sup>                                                  | $t_{PULSE}$            |                      |     | 3                    | $\mu s$ |
| 16  | P | Port H, J, P Interrupt Input Pulse passed <sup>3</sup>                                                    | $t_{PULSE}$            | 10                   |     |                      | $\mu s$ |

NOTES:

1. Maximum leakage current occurs at maximum operating temperature. Current decreases by approximately one-half for each 8 C to 12 C in the temperature range from 50 C to 125 C.
2. Refer to **Section A.1.4 Current Injection**, for more details
3. Parameter only applies in STOP or Pseudo STOP mode.

## A.1.10 Supply Currents

This section describes the current consumption characteristics of the device as well as the conditions for the measurements.

### A.1.10.1 Measurement Conditions

All measurements are without output loads. Unless otherwise noted the currents are measured in single chip mode, internal voltage regulator enabled and at 25MHz bus frequency using a 4MHz oscillator in Colpitts mode. Production testing is performed using a square wave signal at the EXTAL input.

### A.1.10.2 Additional Remarks

In expanded modes the currents flowing in the system are highly dependent on the load at the address, data and control signals as well as on the duty cycle of those signals. No generally applicable numbers can be

given. A very good estimate is to take the single chip currents and add the currents due to the external loads.

**Table A-7 Supply Current Characteristics**

| Conditions are shown in <b>Table A-4</b> unless otherwise noted |                                           |                                                                                                                                                                                          |            |     |                                                              |                             |      |
|-----------------------------------------------------------------|-------------------------------------------|------------------------------------------------------------------------------------------------------------------------------------------------------------------------------------------|------------|-----|--------------------------------------------------------------|-----------------------------|------|
| Num                                                             | C                                         | Rating                                                                                                                                                                                   | Symbol     | Min | Typ                                                          | Max                         | Unit |
| 1                                                               | P                                         | Run supply currents<br>Single Chip, Internal regulator enabled                                                                                                                           | $I_{DD5}$  |     |                                                              | 65                          | mA   |
| 2                                                               | P<br>P                                    | Wait Supply current<br>All modules enabled, PLL on<br>only RTI enabled <sup>1</sup>                                                                                                      | $I_{DDW}$  |     |                                                              | 40<br>5                     | mA   |
| 3                                                               | C<br>P<br>C<br>C<br>P<br>C<br>P<br>C<br>P | Pseudo Stop Current (RTI and COP disabled) <sup>1, 2</sup><br>-40°C<br>27°C<br>70°C<br>85°C<br>"C" Temp Option 100°C<br>105°C<br>"V" Temp Option 120°C<br>125°C<br>"M" Temp Option 140°C | $I_{DDPS}$ |     | 370<br>400<br>450<br>550<br>600<br>650<br>800<br>850<br>1200 | 500<br>1600<br>2100<br>5000 | μA   |
| 4                                                               | C<br>C<br>C<br>C<br>C<br>C<br>C           | Pseudo Stop Current (RTI and COP enabled) <sup>1, 2</sup><br>-40°C<br>27°C<br>70°C<br>85°C<br>105°C<br>125°C<br>140°C                                                                    | $I_{DDPS}$ |     | 570<br>600<br>650<br>750<br>850<br>1200<br>1500              |                             | μA   |
| 5                                                               | C<br>P<br>C<br>C<br>P<br>C<br>P<br>C<br>P | Stop Current <sup>2</sup><br>-40°C<br>27°C<br>70°C<br>85°C<br>"C" Temp Option 100°C<br>105°C<br>"V" Temp Option 120°C<br>125°C<br>"M" Temp Option 140°C                                  | $I_{DDS}$  |     | 12<br>25<br>100<br>130<br>160<br>200<br>350<br>400<br>600    | 100<br>1200<br>1700<br>5000 | μA   |

NOTES:

1. PLL off
2. At those low power dissipation levels  $T_J = T_A$  can be assumed

## A.2 ATD Characteristics

This section describes the characteristics of the analog to digital converter.

### A.2.1 ATD Operating Characteristics

The **Table A-8** shows conditions under which the ATD operates.

The following constraints exist to obtain full-scale, full range results:

$V_{SSA} \leq V_{RL} \leq V_{IN} \leq V_{RH} \leq V_{DDA}$ . This constraint exists since the sample buffer amplifier can not drive beyond the power supply levels that it ties to. If the input level goes outside of this range it will effectively be clipped.

**Table A-8 ATD Operating Characteristics**

| Conditions are shown in <b>Table A-4</b> unless otherwise noted |   |                                             |                                                                          |              |             |             |                   |
|-----------------------------------------------------------------|---|---------------------------------------------|--------------------------------------------------------------------------|--------------|-------------|-------------|-------------------|
| Num                                                             | C | Rating                                      | Symbol                                                                   | Min          | Typ         | Max         | Unit              |
| 1                                                               | D | Reference Potential                         | Low                                                                      | $V_{RL}$     | $V_{SSA}$   | $V_{DDA}/2$ | V                 |
|                                                                 |   |                                             | High                                                                     | $V_{RH}$     | $V_{DDA}/2$ | $V_{DDA}$   | V                 |
| 2                                                               | C | Differential Reference Voltage <sup>1</sup> | $V_{RH}-V_{RL}$                                                          | 4.50         | 5.00        | 5.25        | V                 |
| 3                                                               | D | ATD Clock Frequency                         | $f_{ATDCLK}$                                                             | 0.5          |             | 2.0         | MHz               |
| 4                                                               | D | ATD 10-Bit Conversion Period                | Clock Cycles <sup>2</sup><br>Conv, Time at 2.0MHz ATD Clock $f_{ATDCLK}$ | $N_{CONV10}$ | 14          | 28          | Cycles<br>$\mu$ s |
|                                                                 |   |                                             |                                                                          | $T_{CONV10}$ | 7           | 14          |                   |
| 5                                                               | D | ATD 8-Bit Conversion Period                 | Clock Cycles <sup>2</sup><br>Conv, Time at 2.0MHz ATD Clock $f_{ATDCLK}$ | $N_{CONV8}$  | 12          | 26          | Cycles<br>$\mu$ s |
|                                                                 |   |                                             |                                                                          | $T_{CONV8}$  | 6           | 13          |                   |
| 6                                                               | D | Recovery Time ( $V_{DDA}=5.0$ Volts)        | $t_{REC}$                                                                |              |             | 20          | $\mu$ s           |
| 7                                                               | P | Reference Supply current 2 ATD blocks on    | $I_{REF}$                                                                |              |             | 0.750       | mA                |
| 8                                                               | P | Reference Supply current 1 ATD block on     | $I_{REF}$                                                                |              |             | 0.375       | mA                |

NOTES:

1. Full accuracy is not guaranteed when differential voltage is less than 4.50V
2. The minimum time assumes a final sample period of 2 ATD clocks cycles while the maximum time assumes a final sample period of 16 ATD clocks.

### A.2.2 Factors influencing accuracy

Three factors - source resistance, source capacitance and current injection - have an influence on the accuracy of the ATD.

#### A.2.2.1 Source Resistance:

Due to the input pin leakage current as specified in **Table A-6** in conjunction with the source resistance there will be a voltage drop from the signal source to the ATD input. The maximum source resistance  $R_S$

specifies results in an error of less than 1/2 LSB (2.5mV) at the maximum leakage current. If device or operating conditions are less than worst case or leakage-induced error is acceptable, larger values of source resistance is allowed.

### A.2.2.2 Source Capacitance

When sampling an additional internal capacitor is switched to the input. This can cause a voltage drop due to charge sharing with the external and the pin capacitance. For a maximum sampling error of the input voltage  $\leq 1\text{LSB}$ , then the external filter capacitor,  $C_f \geq 1024 * (C_{\text{INS}} - C_{\text{INN}})$ .

### A.2.2.3 Current Injection

There are two cases to consider.

1. A current is injected into the channel being converted. The channel being stressed has conversion values of \$3FF (\$FF in 8-bit mode) for analog inputs greater than  $V_{\text{RH}}$  and \$000 for values less than  $V_{\text{RL}}$  unless the current is higher than specified as disruptive condition.
2. Current is injected into pins in the neighborhood of the channel being converted. A portion of this current is picked up by the channel (coupling ratio K), This additional current impacts the accuracy of the conversion depending on the source resistance.  
The additional input voltage error on the converted channel can be calculated as  $V_{\text{ERR}} = K * R_S * I_{\text{INJ}}$ , with  $I_{\text{INJ}}$  being the sum of the currents injected into the two pins adjacent to the converted channel.

**Table A-9 ATD Electrical Characteristics**

| Conditions are shown in <b>Table A-4</b> unless otherwise noted |   |                                                     |                                      |      |     |           |            |
|-----------------------------------------------------------------|---|-----------------------------------------------------|--------------------------------------|------|-----|-----------|------------|
| Num                                                             | C | Rating                                              | Symbol                               | Min  | Typ | Max       | Unit       |
| 1                                                               | C | Max input Source Resistance                         | $R_S$                                | -    | -   | 1         | K $\Omega$ |
| 2                                                               | T | Total Input Capacitance<br>Non Sampling<br>Sampling | $C_{\text{INN}}$<br>$C_{\text{INS}}$ |      |     | 10<br>22  | pF         |
| 3                                                               | C | Disruptive Analog Input Current                     | $I_{\text{NA}}$                      | -2.5 |     | 2.5       | mA         |
| 4                                                               | C | Coupling Ratio positive current injection           | $K_p$                                |      |     | $10^{-4}$ | A/A        |
| 5                                                               | C | Coupling Ratio negative current injection           | $K_n$                                |      |     | $10^{-2}$ | A/A        |

### A.2.3 ATD accuracy

**Table A-10** specifies the ATD conversion performance excluding any errors due to current injection, input capacitance and source resistance.

**Table A-10 ATD Conversion Performance**

Conditions are shown in **Table A-4** unless otherwise noted  
 $V_{REF} = V_{RH} - V_{RL} = 5.12V$ . Resulting to one 8 bit count = 20mV and one 10 bit count = 5mV  
 $f_{ATDCLK} = 2.0MHz$

| Num | C | Rating                             | Symbol | Min  | Typ  | Max | Unit   |
|-----|---|------------------------------------|--------|------|------|-----|--------|
| 1   | P | 10-Bit Resolution                  | LSB    |      | 5    |     | mV     |
| 2   | P | 10-Bit Differential Nonlinearity   | DNL    | -1   |      | 1   | Counts |
| 3   | P | 10-Bit Integral Nonlinearity       | INL    | -2.5 | ±1.5 | 2.5 | Counts |
| 4   | P | 10-Bit Absolute Error <sup>1</sup> | AE     | -3   | ±2.0 | 3   | Counts |
| 5   | P | 8-Bit Resolution                   | LSB    |      | 20   |     | mV     |
| 6   | P | 8-Bit Differential Nonlinearity    | DNL    | -0.5 |      | 0.5 | Counts |
| 7   | P | 8-Bit Integral Nonlinearity        | INL    | -1.0 | ±0.5 | 1.0 | Counts |
| 8   | P | 8-Bit Absolute Error <sup>1</sup>  | AE     | -1.5 | ±1.0 | 1.5 | Counts |

NOTES:

- 1. These values include the quantization error which is inherently 1/2 count for any A/D converter.

For the following definitions see also **Figure A-1**.

Differential Non-Linearity (DNL) is defined as the difference between two adjacent switching steps.

$$DNL(i) = \frac{V_i - V_{i-1}}{1LSB} - 1$$

The Integral Non-Linearity (INL) is defined as the sum of all DNLs:

$$INL(n) = \sum_{i=1}^n DNL(i) = \frac{V_n - V_0}{1LSB} - n$$

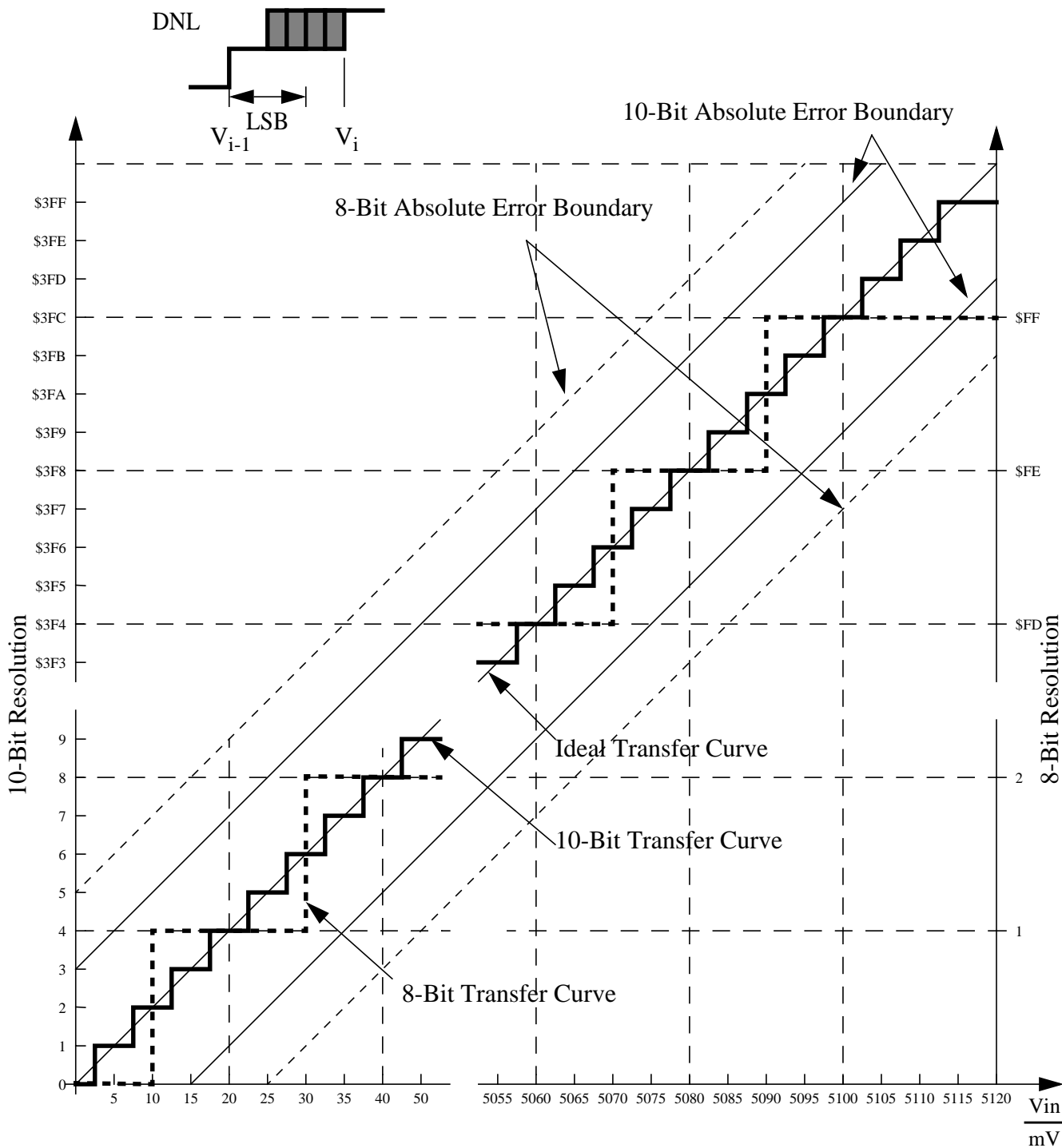


Figure A-1 ATD Accuracy Definitions

**NOTE:** Figure A-1 shows only definitions, for specification values refer to Table A-10.



## A.3 NVM, Flash and EEPROM

**NOTE:** Unless otherwise noted the abbreviation NVM (Non Volatile Memory) is used for both Flash and EEPROM.

### A.3.1 NVM timing

The time base for all NVM program or erase operations is derived from the oscillator. A minimum oscillator frequency  $f_{\text{NVMOSC}}$  is required for performing program or erase operations. The NVM modules do not have any means to monitor the frequency and will not prevent program or erase operation at frequencies above or below the specified minimum. Attempting to program or erase the NVM modules at a lower frequency a full program or erase transition is not assured.

The Flash and EEPROM program and erase operations are timed using a clock derived from the oscillator using the FCLKDIV and ECLKDIV registers respectively. The frequency of this clock must be set within the limits specified as  $f_{\text{NVMOP}}$ .

The minimum program and erase times shown in **Table A-11** are calculated for maximum  $f_{\text{NVMOP}}$  and maximum  $f_{\text{bus}}$ . The maximum times are calculated for minimum  $f_{\text{NVMOP}}$  and a  $f_{\text{bus}}$  of 2MHz.

#### A.3.1.1 Single Word Programming

The programming time for single word programming is dependant on the bus frequency as a well as on the frequency  $f_{\text{NVMOP}}$  and can be calculated according to the following formula.

$$t_{\text{swpgm}} = 9 \cdot \frac{1}{f_{\text{NVMOP}}} + 25 \cdot \frac{1}{f_{\text{bus}}}$$

#### A.3.1.2 Burst Programming

This applies only to the Flash where up to 32 words in a row can be programmed consecutively using burst programming by keeping the command pipeline filled. The time to program a consecutive word can be calculated as:

$$t_{\text{bwpgm}} = 4 \cdot \frac{1}{f_{\text{NVMOP}}} + 9 \cdot \frac{1}{f_{\text{bus}}}$$

The time to program a whole row is:

$$t_{\text{brpgm}} = t_{\text{swpgm}} + 31 \cdot t_{\text{bwpgm}}$$

Burst programming is more than 2 times faster than single word programming.

### A.3.1.3 Sector Erase

Erasing a 512 byte Flash sector or a 4 byte EEPROM sector takes:

$$t_{\text{era}} \approx 4000 \cdot \frac{1}{f_{\text{NVMOP}}}$$

The setup time can be ignored for this operation.

### A.3.1.4 Mass Erase

Erasing a NVM block takes:

$$t_{\text{mass}} \approx 20000 \cdot \frac{1}{f_{\text{NVMOP}}}$$

The setup time can be ignored for this operation.

### A.3.1.5 Blank Check

The time it takes to perform a blank check on the Flash or EEPROM is dependant on the **location** of the first non-blank word starting at relative address zero. It takes one bus cycle per word to verify plus a setup of the command.

$$t_{\text{check}} \approx \text{location} \cdot t_{\text{cyc}} + 10 \cdot t_{\text{cyc}}$$

**Table A-11 NVM Timing Characteristics**

| Conditions are shown in <b>Table A-4</b> unless otherwise noted |   |                                                        |                     |                     |     |                     |                  |
|-----------------------------------------------------------------|---|--------------------------------------------------------|---------------------|---------------------|-----|---------------------|------------------|
| Num                                                             | C | Rating                                                 | Symbol              | Min                 | Typ | Max                 | Unit             |
| 1                                                               | D | External Oscillator Clock (MC9S12DT256C< V, M)         | f <sub>NVMOSC</sub> | 0.5                 |     | 50 <sup>1</sup>     | MHz              |
| 2                                                               | D | Bus frequency for Programming or Erase Operations      | f <sub>NVMBUS</sub> | 1                   |     |                     | MHz              |
| 3                                                               | D | Operating Frequency                                    | f <sub>NVMOP</sub>  | 150                 |     | 200                 | kHz              |
| 4                                                               | P | Single Word Programming Time                           | t <sub>swpgm</sub>  | 46 <sup>2</sup>     |     | 74.5 <sup>3</sup>   | μs               |
| 5                                                               | D | Flash Burst Programming consecutive word <sup>4</sup>  | t <sub>bwpgm</sub>  | 20.4 <sup>2</sup>   |     | 31 <sup>3</sup>     | μs               |
| 6                                                               | D | Flash Burst Programming Time for 32 Words <sup>4</sup> | t <sub>brpgm</sub>  | 1331.2 <sup>2</sup> |     | 2027.5 <sup>3</sup> | μs               |
| 7                                                               | P | Sector Erase Time                                      | t <sub>era</sub>    | 20 <sup>5</sup>     |     | 26.7 <sup>3</sup>   | ms               |
| 8                                                               | P | Mass Erase Time                                        | t <sub>mass</sub>   | 100 <sup>5</sup>    |     | 133 <sup>3</sup>    | ms               |
| 9                                                               | D | Blank Check Time Flash per block                       | t <sub>check</sub>  | 11 <sup>6</sup>     |     | 65546 <sup>7</sup>  | t <sub>cyc</sub> |
| 10                                                              | D | Blank Check Time EEPROM per block                      | t <sub>check</sub>  | 11 <sup>6</sup>     |     | 2058 <sup>7</sup>   | t <sub>cyc</sub> |

NOTES:

1. Restrictions for oscillator in crystal mode apply!
2. Minimum Programming times are achieved under maximum NVM operating frequency f<sub>NVMOP</sub> and maximum bus frequency f<sub>bus</sub>.

3. Maximum Erase and Programming times are achieved under particular combinations of  $f_{NVMOP}$  and bus frequency  $f_{bus}$ . Refer to formulae in Sections **A.3.1.1 - A.3.1.4** for guidance.
4. Burst Programming operations are not applicable to EEPROM
5. Minimum Erase times are achieved under maximum NVM operating frequency  $f_{NVMOP}$ .
6. Minimum time, if first word in the array is not blank
7. Maximum time to complete check on an erased block

### A.3.2 NVM Reliability

The reliability of the NVM blocks is guaranteed by stress test during qualification, constant process monitors and burn-in to screen early life failures.

The failure rates for data retention and program/erase cycling are specified at the operating conditions noted.

The program/erase cycle count on the sector is incremented every time a sector or mass erase event is executed.

**NOTE:** All values shown in **Table A-12** are target values and subject to further extensive characterization.

**Table A-12 NVM Reliability Characteristics**

| Conditions are shown in <b>Table A-4</b> unless otherwise noted |   |                                                                                   |              |         |        |     |        |
|-----------------------------------------------------------------|---|-----------------------------------------------------------------------------------|--------------|---------|--------|-----|--------|
| Num                                                             | C | Rating                                                                            | Symbol       | Min     | Typ    | Max | Unit   |
| 1                                                               | C | Data Retention at an average junction temperature of $T_{Javg} = 70^{\circ}C$     | $t_{NVMRET}$ | 15      |        |     | Years  |
| 2                                                               | C | Flash number of Program/Erase cycles                                              | $n_{FLPE}$   | 1000    | 10,000 |     | Cycles |
| 3                                                               | C | EEPROM number of Program/Erase cycles ( $-40^{\circ}C \leq T_J \leq 0^{\circ}C$ ) | $n_{EEPE}$   | 10,000  |        |     | Cycles |
| 4                                                               | C | EEPROM number of Program/Erase cycles ( $0^{\circ}C < T_J \leq 140^{\circ}C$ )    | $n_{EEPE}$   | 100,000 |        |     | Cycles |



## A.4 Voltage Regulator

The on-chip voltage regulator is intended to supply the internal logic and oscillator circuits. No external DC load is allowed.

**Table A-13 Voltage Regulator Recommended Load Capacitances**

| Rating                      | Symbol          | Min | Typ | Max | Unit |
|-----------------------------|-----------------|-----|-----|-----|------|
| Load Capacitance on VDD1, 2 | $C_{LVDD}$      |     | 220 |     | nF   |
| Load Capacitance on VDDPLL  | $C_{LVDDfcPLL}$ |     | 220 |     | nF   |



## A.5 Reset, Oscillator and PLL

This section summarizes the electrical characteristics of the various startup scenarios for Oscillator and Phase-Locked-Loop (PLL).

### A.5.1 Startup

**Table A-14** summarizes several startup characteristics explained in this section. Detailed description of the startup behavior can be found in the Clock and Reset Generator (CRG) Block Guide.

**Table A-14 Startup Characteristics**

| Conditions are shown in <b>Table A-4</b> unless otherwise noted |   |                                                             |             |      |     |      |           |
|-----------------------------------------------------------------|---|-------------------------------------------------------------|-------------|------|-----|------|-----------|
| Num                                                             | C | Rating                                                      | Symbol      | Min  | Typ | Max  | Unit      |
| 1                                                               | T | POR release level                                           | $V_{PORR}$  |      |     | 2.07 | V         |
| 2                                                               | T | POR assert level                                            | $V_{PORA}$  | 0.97 |     |      | V         |
| 3                                                               | D | Reset input pulse width, minimum input time                 | $PW_{RSTL}$ | 2    |     |      | $t_{osc}$ |
| 4                                                               | D | Startup from Reset                                          | $n_{RST}$   | 192  |     | 196  | $n_{osc}$ |
| 5                                                               | D | Interrupt pulse width, $\overline{IRQ}$ edge-sensitive mode | $PW_{IRQ}$  | 20   |     |      | ns        |
| 6                                                               | D | Wait recovery startup time                                  | $t_{WRS}$   |      |     | 14   | $t_{cyc}$ |

#### A.5.1.1 POR

The release level  $V_{PORR}$  and the assert level  $V_{PORA}$  are derived from the  $V_{DD}$  Supply. They are also valid if the device is powered externally. After releasing the POR reset the oscillator and the clock quality check are started. If after a time  $t_{CQOUT}$  no valid oscillation is detected, the MCU will start using the internal self clock. The fastest startup time possible is given by  $n_{uposc}$ .

#### A.5.1.2 SRAM Data Retention

Provided an appropriate external reset signal is applied to the MCU, preventing the CPU from executing code when  $V_{DD5}$  is out of specification limits, the SRAM contents integrity is guaranteed if after the reset the PORF bit in the CRG Flags Register has not been set.

#### A.5.1.3 External Reset

When external reset is asserted for a time greater than  $PW_{RSTL}$  the CRG module generates an internal reset, and the CPU starts fetching the reset vector without doing a clock quality check, if there was an oscillation before reset.

#### A.5.1.4 Stop Recovery

Out of STOP the controller can be woken up by an external interrupt. A clock quality check as after POR is performed before releasing the clocks to the system.

### A.5.1.5 Pseudo Stop and Wait Recovery

The recovery from Pseudo STOP and Wait are essentially the same since the oscillator was not stopped in both modes. The controller can be woken up by internal or external interrupts. After  $t_{wrs}$  the CPU starts fetching the interrupt vector.

### A.5.2 Oscillator

The device features an internal Colpitts and Pierce oscillator. The selection of Colpitts oscillator or Pierce oscillator/external clock depends on the  $\overline{XCLKS}$  signal which is sampled during reset. By asserting the  $\overline{XCLKS}$  input during reset this oscillator can be bypassed allowing the input of a square wave. Before asserting the oscillator to the internal system clocks the quality of the oscillation is checked for each start from either power-on, STOP or oscillator fail.  $t_{CQOUT}$  specifies the maximum time before switching to the internal self clock mode after POR or STOP if a proper oscillation is not detected. The quality check also determines the minimum oscillator start-up time  $t_{UPOSC}$ . The device also features a clock monitor. A Clock Monitor Failure is asserted if the frequency of the incoming clock signal is below the Assert Frequency  $f_{CMFA}$ .

**Table A-15 Oscillator Characteristics**

| Conditions are shown in <b>Table A-4</b> unless otherwise noted |   |                                                          |              |      |       |         |         |
|-----------------------------------------------------------------|---|----------------------------------------------------------|--------------|------|-------|---------|---------|
| Num                                                             | C | Rating                                                   | Symbol       | Min  | Typ   | Max     | Unit    |
| 1a                                                              | C | Crystal oscillator range (Colpitts)                      | $f_{OSC}$    | 0.5  |       | 16      | MHz     |
| 1b                                                              | C | Crystal oscillator range (Pierce) <sup>1(4)</sup>        | $f_{OSC}$    | 0.5  |       | 40      | MHz     |
| 2                                                               | P | Startup Current                                          | $i_{OSC}$    | 100  |       |         | $\mu A$ |
| 3                                                               | C | Oscillator start-up time (Colpitts)                      | $t_{UPOSC}$  |      | $8^2$ | $100^3$ | ms      |
| 4                                                               | D | Clock Quality check time-out                             | $t_{CQOUT}$  | 0.45 |       | 2.5     | s       |
| 5                                                               | P | Clock Monitor Failure Assert Frequency                   | $f_{CMFA}$   | 50   | 100   | 200     | KHz     |
| 6                                                               | P | External square wave input frequency <sup>4</sup>        | $f_{EXT}$    | 0.5  |       | 50      | MHz     |
| 7                                                               | D | External square wave pulse width low                     | $t_{EXTL}$   | 9.5  |       |         | ns      |
| 8                                                               | D | External square wave pulse width high                    | $t_{EXTH}$   | 9.5  |       |         | ns      |
| 9                                                               | D | External square wave rise time                           | $t_{EXTR}$   |      |       | 1       | ns      |
| 10                                                              | D | External square wave fall time                           | $t_{EXTF}$   |      |       | 1       | ns      |
| 11                                                              | D | Input Capacitance (EXTAL, XTAL pins)                     | $C_{IN}$     |      | 7     |         | pF      |
| 12                                                              | C | DC Operating Bias in Colpitts Configuration on EXTAL Pin | $V_{DCBIAS}$ |      | 1.1   |         | V       |

**NOTES:**

1. Depending on the crystal a damping series resistor might be necessary
2.  $f_{osc} = 4MHz$ ,  $C = 22pF$ .
3. Maximum value is for extreme cases using high Q, low frequency crystals
4.  $\overline{XCLKS} = 0$  during reset



### A.5.3 Phase Locked Loop

The oscillator provides the reference clock for the PLL. The PLL's Voltage Controlled Oscillator (VCO) is also the system clock source in self clock mode.

#### A.5.3.1 XFC Component Selection

This section describes the selection of the XFC components to achieve a good filter characteristics.

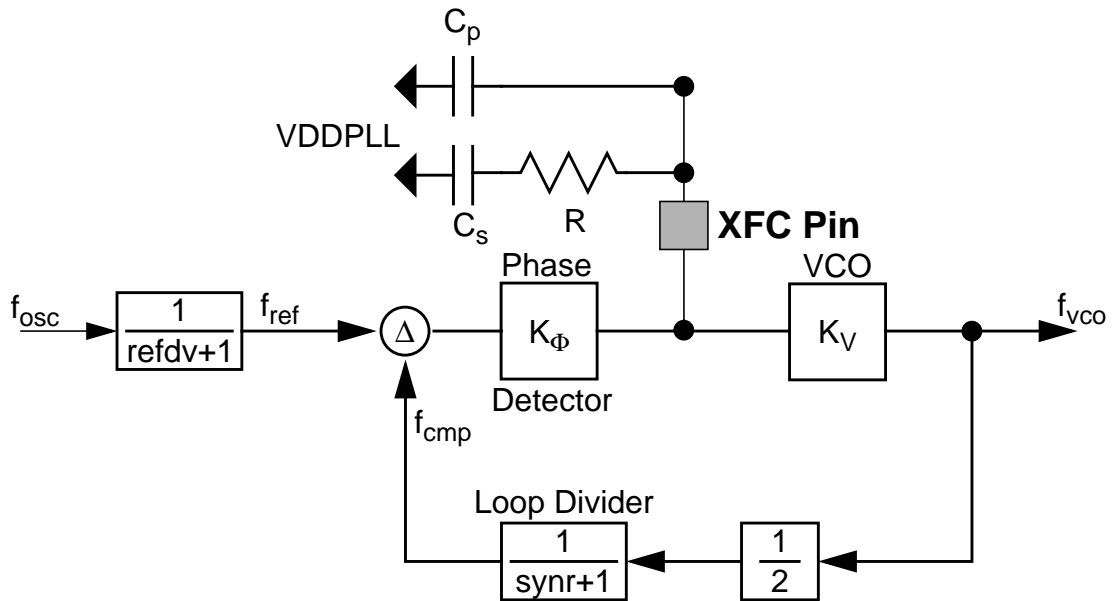


Figure A-2 Basic PLL functional diagram

The following procedure can be used to calculate the resistance and capacitance values using typical values for  $K_1$ ,  $f_1$  and  $i_{ch}$  from **Table A-16**.

The grey boxes show the calculation for  $f_{VCO} = 50\text{MHz}$  and  $f_{ref} = 1\text{MHz}$ . E.g., these frequencies are used for  $f_{OSC} = 4\text{MHz}$  and a  $25\text{MHz}$  bus clock.

The VCO Gain at the desired VCO frequency is approximated by:

$$K_V = K_1 \cdot e^{\frac{(f_1 - f_{VCO})}{K_1 \cdot 1V}} = -100 \cdot e^{\frac{(60 - 50)}{-100}} = -90.48\text{MHz/V}$$

The phase detector relationship is given by:

$$K_\Phi = -|i_{ch}| \cdot K_V = 316.7\text{Hz}/\Omega$$

$i_{ch}$  is the current in tracking mode.

The loop bandwidth  $f_C$  should be chosen to fulfill the Gardner's stability criteria by at least a factor of 10, typical values are 50.  $\zeta = 0.9$  ensures a good transient response.

$$f_C < \frac{2 \cdot \zeta \cdot f_{ref}}{\pi \cdot (\zeta + \sqrt{1 + \zeta^2})} \cdot \frac{1}{10} \rightarrow f_C < \frac{f_{ref}}{4 \cdot 10}; (\zeta = 0.9)$$

$$f_C < 25\text{kHz}$$

And finally the frequency relationship is defined as

$$n = \frac{f_{VCO}}{f_{ref}} = 2 \cdot (\text{synr} + 1) = 50$$

With the above values the resistance can be calculated. The example is shown for a loop bandwidth  $f_C=10\text{kHz}$ :

$$R = \frac{2 \cdot \pi \cdot n \cdot f_C}{K_\Phi} = \frac{2 \cdot \pi \cdot 50 \cdot 10\text{kHz}}{316.7\text{Hz}/\Omega} = 9.9\text{k}\Omega \approx 10\text{k}\Omega$$

The capacitance  $C_s$  can now be calculated as:

$$C_s = \frac{2 \cdot \zeta^2}{\pi \cdot f_C \cdot R} \approx \frac{0.516}{f_C \cdot R}; (\zeta = 0.9) = 5.19\text{nF} \approx 4.7\text{nF}$$

The capacitance  $C_p$  should be chosen in the range of:

$$C_s/20 \leq C_p \leq C_s/10 \quad C_p = 470\text{pF}$$

### A.5.3.2 Jitter Information

The basic functionality of the PLL is shown in **Figure A-2**. With each transition of the clock  $f_{cmp}$ , the deviation from the reference clock  $f_{ref}$  is measured and input voltage to the VCO is adjusted accordingly. The adjustment is done continuously with no abrupt changes in the clock output frequency. Noise, voltage, temperature and other factors cause slight variations in the control loop resulting in a clock jitter. This jitter affects the real minimum and maximum clock periods as illustrated in **Figure A-3**.

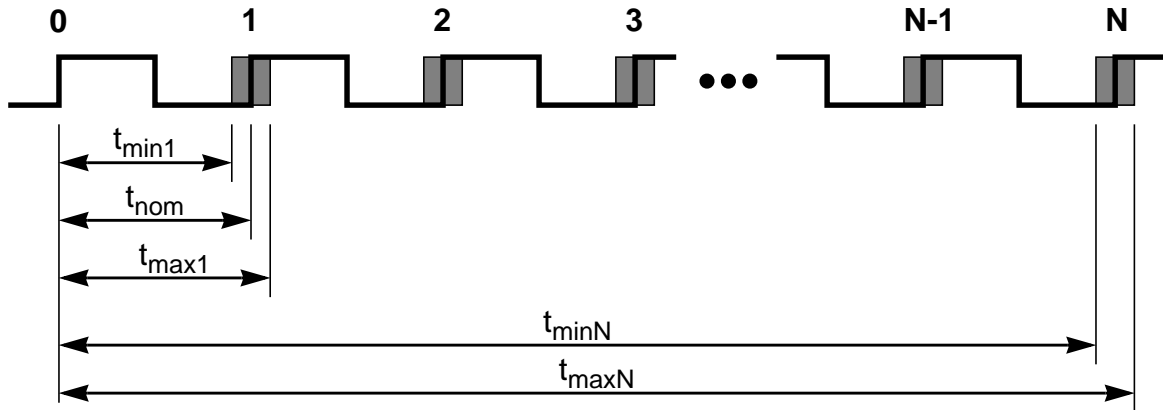


Figure A-3 Jitter Definitions

The relative deviation of  $t_{nom}$  is at its maximum for one clock period, and decreases towards zero for larger number of clock periods ( $N$ ).

Defining the jitter as:

$$J(N) = \max\left(\left|1 - \frac{t_{max}(N)}{N \cdot t_{nom}}\right|, \left|1 - \frac{t_{min}(N)}{N \cdot t_{nom}}\right|\right)$$

For  $N < 100$ , the following equation is a good fit for the maximum jitter:

$$J(N) = \frac{j_1}{\sqrt{N}} + j_2$$

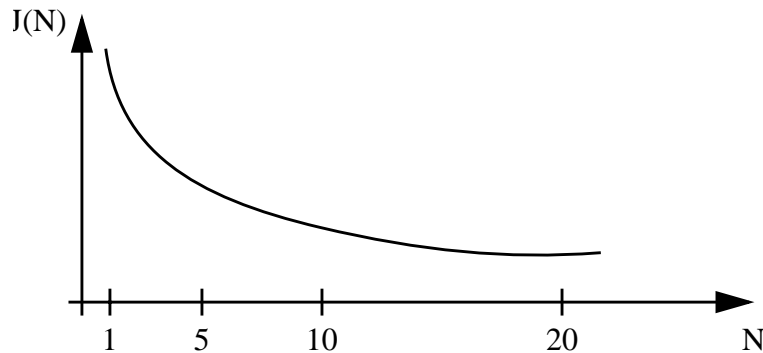


Figure A-4 Maximum bus clock jitter approximation

This is very important to notice with respect to timers, serial modules where a pre-scaler will eliminate the effect of the jitter to a large extent.

**Table A-16 PLL Characteristics**

Conditions are shown in **Table A-4** unless otherwise noted

| Num | C | Rating                                                     | Symbol            | Min | Typ  | Max  | Unit             |
|-----|---|------------------------------------------------------------|-------------------|-----|------|------|------------------|
| 1   | P | Self Clock Mode frequency                                  | $f_{SCM}$         | 1   |      | 5.5  | MHz              |
| 2   | D | VCO locking range                                          | $f_{VCO}$         | 8   |      | 50   | MHz              |
| 3   | D | Lock Detector transition from Acquisition to Tracking mode | $ \Delta_{trk} $  | 3   |      | 4    | % <sup>1</sup>   |
| 4   | D | Lock Detection                                             | $ \Delta_{Lock} $ | 0   |      | 1.5  | % <sup>(1)</sup> |
| 5   | D | Un-Lock Detection                                          | $ \Delta_{unt} $  | 0.5 |      | 2.5  | % <sup>(1)</sup> |
| 6   | D | Lock Detector transition from Tracking to Acquisition mode | $ \Delta_{unt} $  | 6   |      | 8    | % <sup>(1)</sup> |
| 7   | C | PLLON Total Stabilization delay (Auto Mode) <sup>2</sup>   | $t_{stab}$        |     | 0.5  |      | ms               |
| 8   | D | PLLON Acquisition mode stabilization delay <sup>(2)</sup>  | $t_{acq}$         |     | 0.3  |      | ms               |
| 9   | D | PLLON Tracking mode stabilization delay <sup>(2)</sup>     | $t_{al}$          |     | 0.2  |      | ms               |
| 10  | D | Fitting parameter VCO loop gain                            | $K_1$             |     | -100 |      | MHz/V            |
| 11  | D | Fitting parameter VCO loop frequency                       | $f_1$             |     | 60   |      | MHz              |
| 12  | D | Charge pump current acquisition mode                       | $ i_{ch} $        |     | 38.5 |      | $\mu A$          |
| 13  | D | Charge pump current tracking mode                          | $ i_{ch} $        |     | 3.5  |      | $\mu A$          |
| 14  | C | Jitter fit parameter 1 <sup>(2)</sup>                      | $j_1$             |     |      | 1.1  | %                |
| 15  | C | Jitter fit parameter 2 <sup>(2)</sup>                      | $j_2$             |     |      | 0.13 | %                |

NOTES:

1. % deviation from target frequency
2.  $f_{osc} = 4MHz$ ,  $f_{BUS} = 25MHz$  equivalent  $f_{VCO} = 50MHz$ : REF DV = #03, SYN R = #018, Cs = 4.7nF, Cp = 470pF, Rs = 10K $\Omega$ .

## A.6 MSCAN

**Table A-17 MSCAN Wake-up Pulse Characteristics**

| Conditions are shown in <b>Table A-4</b> unless otherwise noted |   |                                       |           |     |     |     |               |
|-----------------------------------------------------------------|---|---------------------------------------|-----------|-----|-----|-----|---------------|
| Num                                                             | C | Rating                                | Symbol    | Min | Typ | Max | Unit          |
| 1                                                               | P | MSCAN Wake-up dominant pulse filtered | $t_{WUP}$ |     |     | 2   | $\mu\text{s}$ |
| 2                                                               | P | MSCAN Wake-up dominant pulse pass     | $t_{WUP}$ | 5   |     |     | $\mu\text{s}$ |



## A.7 SPI

This section provides electrical parametrics and ratings for the SPI.

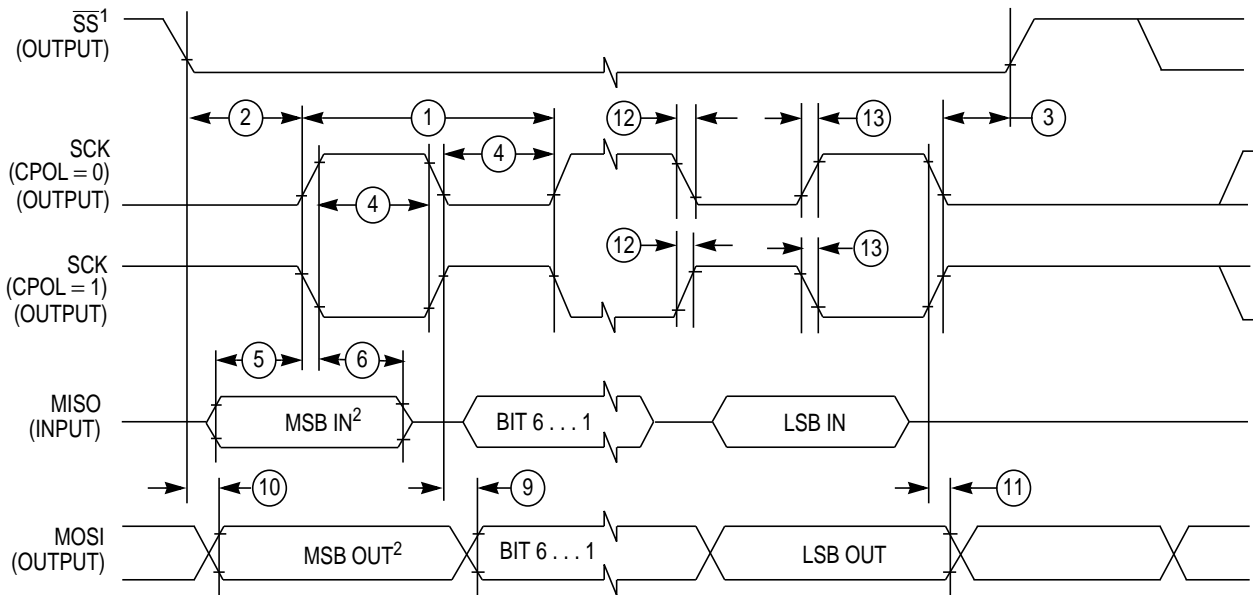
In **Table A-18** the measurement conditions are listed.

**Table A-18 Measurement Conditions**

| Description                                  | Value                 | Unit |
|----------------------------------------------|-----------------------|------|
| Drive mode                                   | full drive mode       | —    |
| Load capacitance $C_{LOAD}$ , on all outputs | 50                    | pF   |
| Thresholds for delay measurement points      | (20% / 80%) $V_{DDX}$ | V    |

### A.7.1 Master Mode

In **Figure A-5** the timing diagram for master mode with transmission format  $CPHA=0$  is depicted.

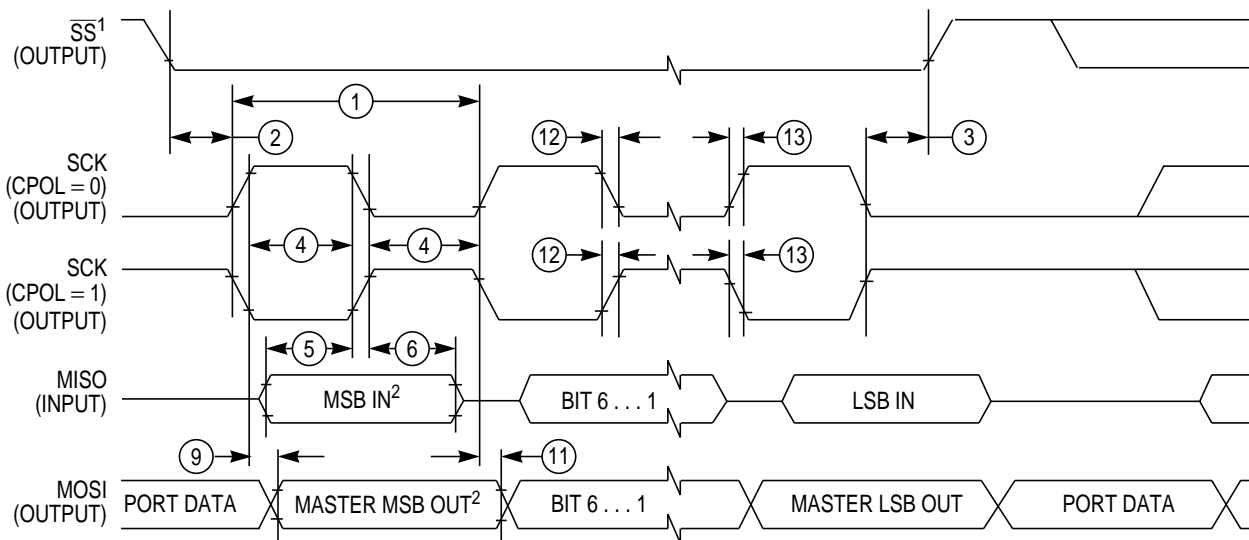


1. if configured as an output.

2.  $LSBF = 0$ . For  $LSBF = 1$ , bit order is LSB, bit 1, ..., bit 6, MSB.

**Figure A-5 SPI Master Timing (CPHA=0)**

In **Figure A-6** the timing diagram for master mode with transmission format  $CPHA=1$  is depicted.



1. If configured as output  
 2. LSBF = 0. For LSBF = 1, bit order is LSB, bit 1, ..., bit 6, MSB.

**Figure A-6 SPI Master Timing (CPHA=1)**

In **Table A-19** the timing characteristics for master mode are listed.

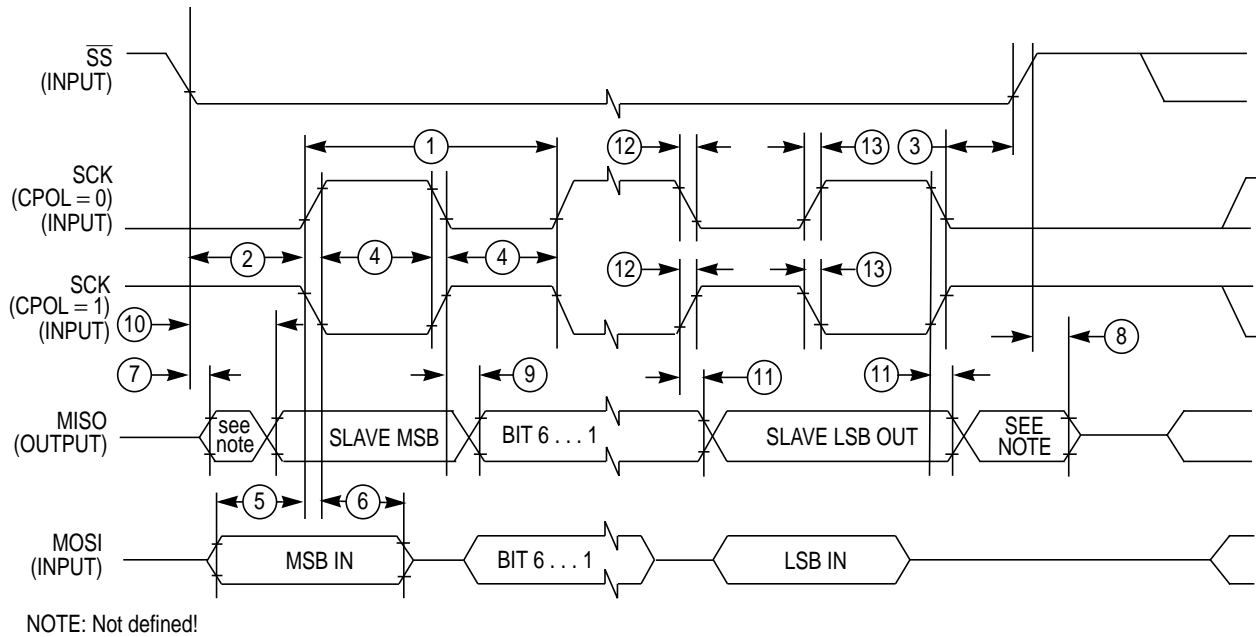
**Table A-19 SPI Master Mode Timing Characteristics**

| Num | Characteristic                                 | Symbol     | Min    | Typ | Max  | Unit      |
|-----|------------------------------------------------|------------|--------|-----|------|-----------|
|     |                                                |            |        |     |      |           |
| 1   | SCK Frequency                                  | $f_{sck}$  | 1/2048 | —   | 1/2  | $f_{bus}$ |
| 1   | SCK Period                                     | $t_{sck}$  | 2      | —   | 2048 | $t_{bus}$ |
| 2   | Enable Lead Time                               | $t_{lead}$ | —      | 1/2 | —    | $t_{sck}$ |
| 3   | Enable Lag Time                                | $t_{lag}$  | —      | 1/2 | —    | $t_{sck}$ |
| 4   | Clock (SCK) High or Low Time                   | $t_{wsck}$ | —      | 1/2 | —    | $t_{sck}$ |
| 5   | Data Setup Time (Inputs)                       | $t_{su}$   | 8      | —   | —    | ns        |
| 6   | Data Hold Time (Inputs)                        | $t_{hi}$   | 8      | —   | —    | ns        |
| 9   | Data Valid after SCK Edge                      | $t_{vsck}$ | —      | —   | 30   | ns        |
| 10  | Data Valid after $\overline{SS}$ fall (CPHA=0) | $t_{vss}$  | —      | —   | 15   | ns        |
| 11  | Data Hold Time (Outputs)                       | $t_{ho}$   | 20     | —   | —    | ns        |
| 12  | Rise and Fall Time Inputs                      | $t_{rfi}$  | —      | —   | 8    | ns        |
| 13  | Rise and Fall Time Outputs                     | $t_{rfo}$  | —      | —   | 8    | ns        |



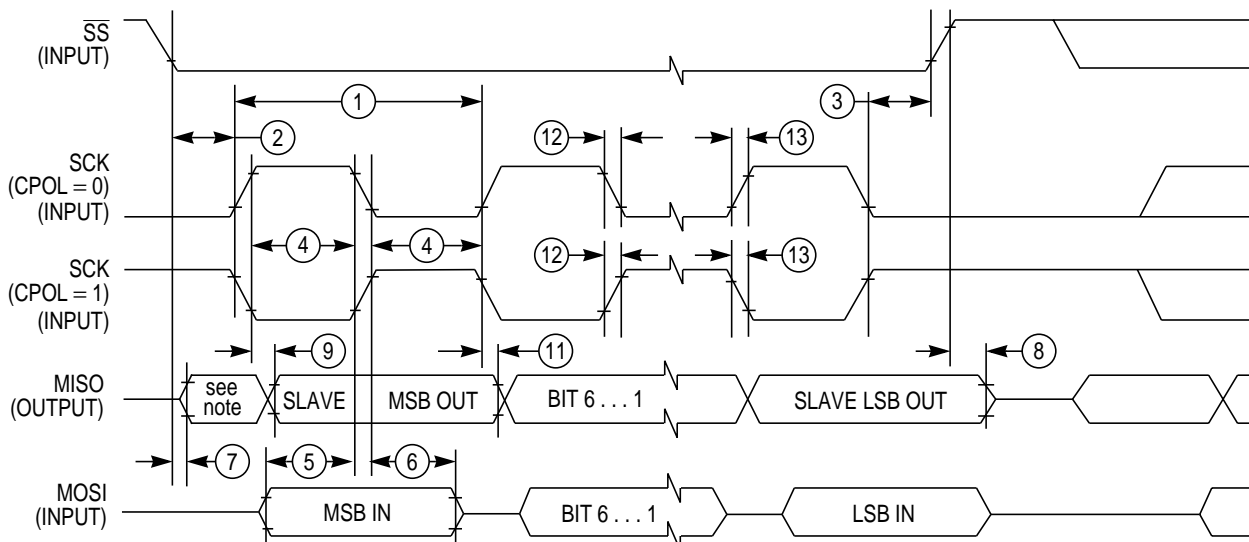
### A.7.2 Slave Mode

In **Figure A-7** the timing diagram for slave mode with transmission format CPHA=0 is depicted.



**Figure A-7 SPI Slave Timing (CPHA=0)**

In **Figure A-8** the timing diagram for slave mode with transmission format CPHA=1 is depicted.



NOTE: Not defined!

**Figure A-8 SPI Slave Timing (CPHA=1)**

In **Table A-20** the timing characteristics for slave mode are listed.

**Table A-20 SPI Slave Mode Timing Characteristics**

| Num | Characteristic                          | Symbol     |     |     |                  | Unit      |
|-----|-----------------------------------------|------------|-----|-----|------------------|-----------|
|     |                                         |            | Min | Typ | Max              |           |
| 1   | SCK Frequency                           | $f_{sck}$  | DC  | —   | 1/4              | $f_{bus}$ |
| 1   | SCK Period                              | $t_{sck}$  | 4   | —   | $\infty$         | $t_{bus}$ |
| 2   | Enable Lead Time                        | $t_{lead}$ | 4   | —   | —                | $t_{bus}$ |
| 3   | Enable Lag Time                         | $t_{lag}$  | 4   | —   | —                | $t_{bus}$ |
| 4   | Clock (SCK) High or Low Time            | $t_{wsck}$ | 4   | —   | —                | $t_{bus}$ |
| 5   | Data Setup Time (Inputs)                | $t_{su}$   | 8   | —   | —                | ns        |
| 6   | Data Hold Time (Inputs)                 | $t_{hi}$   | 8   | —   | —                | ns        |
| 7   | Slave Access Time (time to data active) | $t_a$      | —   | —   | 20               | ns        |
| 8   | Slave MISO Disable Time                 | $t_{dis}$  | —   | —   | 22               | ns        |
| 9   | Data Valid after SCK Edge               | $t_{vsck}$ | —   | —   | $30 + t_{bus}^1$ | ns        |
| 10  | Data Valid after $\overline{SS}$ fall   | $t_{vss}$  | —   | —   | $30 + t_{bus}^1$ | ns        |
| 11  | Data Hold Time (Outputs)                | $t_{ho}$   | 20  | —   | —                | ns        |
| 12  | Rise and Fall Time Inputs               | $t_{rfi}$  | —   | —   | 8                | ns        |
| 13  | Rise and Fall Time Outputs              | $t_{rfo}$  | —   | —   | 8                | ns        |

NOTES:

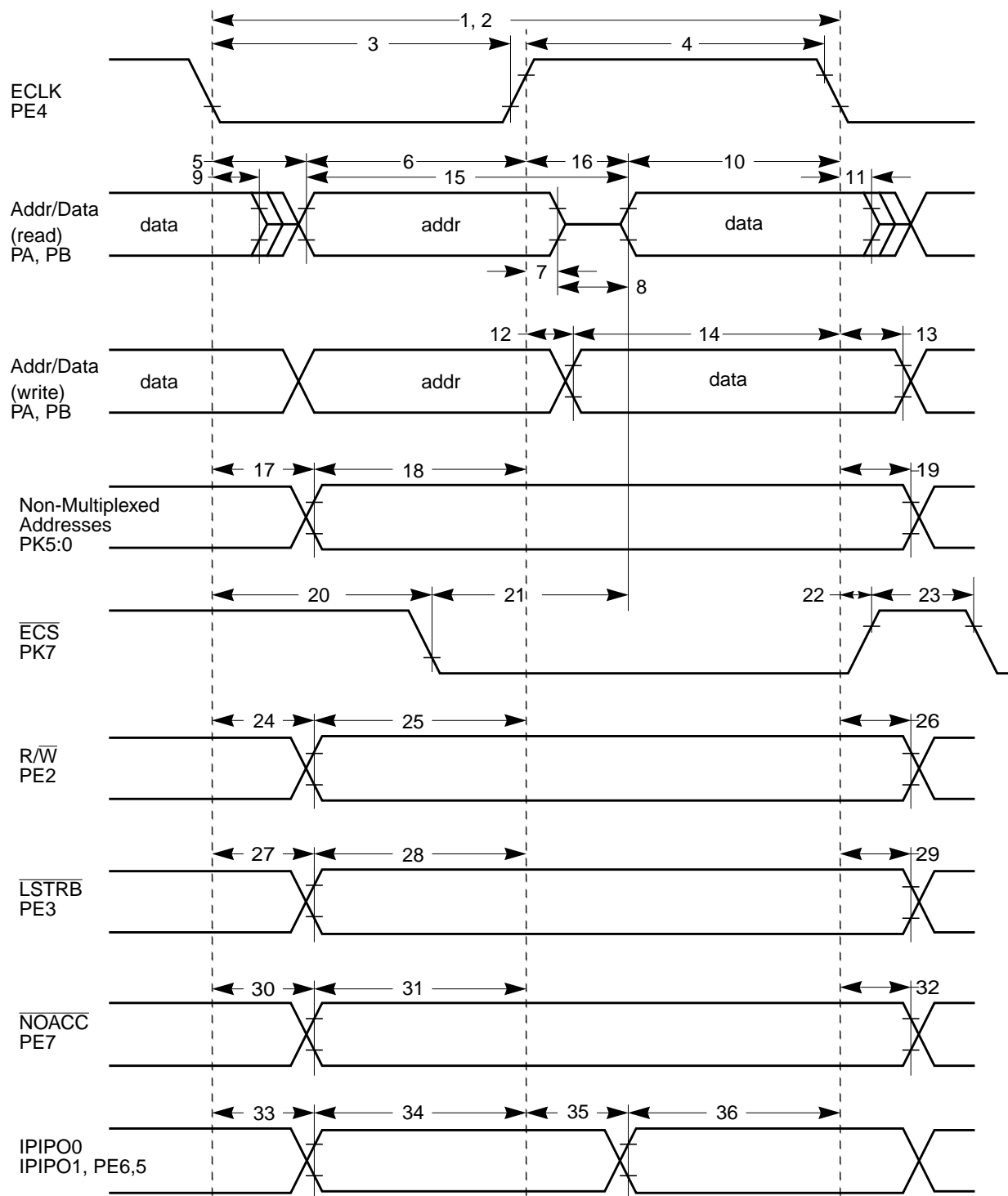
1.  $t_{bus}$  added due to internal synchronization delay

## A.8 External Bus Timing

A timing diagram of the external multiplexed-bus is illustrated in **Figure A-9** with the actual timing values shown on table **Table A-21**. All major bus signals are included in the diagram. While both a data write and data read cycle are shown, only one or the other would occur on a particular bus cycle.

### A.8.1 General Muxed Bus Timing

The expanded bus timings are highly dependent on the load conditions. The timing parameters shown assume a balanced load across all outputs.



**Figure A-9 General External Bus Timing**

**Table A-21 Expanded Bus Timing Characteristics**

Conditions are shown in **Table A-4** unless otherwise noted,  $C_{LOAD} = 50pF$

| Num | C | Rating                                                             | Symbol     | Min | Typ | Max  | Unit |
|-----|---|--------------------------------------------------------------------|------------|-----|-----|------|------|
| 1   | P | Frequency of operation (E-clock)                                   | $f_o$      | 0   |     | 25.0 | MHz  |
| 2   | P | Cycle time                                                         | $t_{cyc}$  | 40  |     |      | ns   |
| 3   | D | Pulse width, E low                                                 | $PW_{EL}$  | 19  |     |      | ns   |
| 4   | D | Pulse width, E high <sup>1</sup>                                   | $PW_{EH}$  | 19  |     |      | ns   |
| 5   | D | Address delay time                                                 | $t_{AD}$   |     |     | 8    | ns   |
| 6   | D | Address valid time to E rise ( $PW_{EL}-t_{AD}$ )                  | $t_{AV}$   | 11  |     |      | ns   |
| 7   | D | Muxed address hold time                                            | $t_{MAH}$  | 2   |     |      | ns   |
| 8   | D | Address hold to data valid                                         | $t_{AHDS}$ | 7   |     |      | ns   |
| 9   | D | Data hold to address                                               | $t_{DHA}$  | 2   |     |      | ns   |
| 10  | D | Read data setup time                                               | $t_{DSR}$  | 13  |     |      | ns   |
| 11  | D | Read data hold time                                                | $t_{DHR}$  | 0   |     |      | ns   |
| 12  | D | Write data delay time                                              | $t_{DDW}$  |     |     | 7    | ns   |
| 13  | D | Write data hold time                                               | $t_{DHW}$  | 2   |     |      | ns   |
| 14  | D | Write data setup time <sup>1</sup> ( $PW_{EH}-t_{DDW}$ )           | $t_{DSW}$  | 12  |     |      | ns   |
| 15  | D | Address access time <sup>1</sup> ( $t_{cyc}-t_{AD}-t_{DSR}$ )      | $t_{ACCA}$ | 19  |     |      | ns   |
| 16  | D | E high access time <sup>1</sup> ( $PW_{EH}-t_{DSR}$ )              | $t_{ACCE}$ | 6   |     |      | ns   |
| 17  | D | Non-multiplexed address delay time                                 | $t_{NAD}$  |     |     | 6    | ns   |
| 18  | D | Non-muxed address valid to E rise ( $PW_{EL}-t_{NAD}$ )            | $t_{NAV}$  | 15  |     |      | ns   |
| 19  | D | Non-multiplexed address hold time                                  | $t_{NAH}$  | 2   |     |      | ns   |
| 20  | D | Chip select delay time                                             | $t_{CSD}$  |     |     | 16   | ns   |
| 21  | D | Chip select access time <sup>1</sup> ( $t_{cyc}-t_{CSD}-t_{DSR}$ ) | $t_{ACCS}$ | 11  |     |      | ns   |
| 22  | D | Chip select hold time                                              | $t_{CSH}$  | 2   |     |      | ns   |
| 23  | D | Chip select negated time                                           | $t_{CSN}$  | 8   |     |      | ns   |
| 24  | D | Read/write delay time                                              | $t_{RWD}$  |     |     | 7    | ns   |
| 25  | D | Read/write valid time to E rise ( $PW_{EL}-t_{RWD}$ )              | $t_{RWV}$  | 14  |     |      | ns   |
| 26  | D | Read/write hold time                                               | $t_{RWH}$  | 2   |     |      | ns   |
| 27  | D | Low strobe delay time                                              | $t_{LSD}$  |     |     | 7    | ns   |
| 28  | D | Low strobe valid time to E rise ( $PW_{EL}-t_{LSD}$ )              | $t_{LSV}$  | 14  |     |      | ns   |
| 29  | D | Low strobe hold time                                               | $t_{LSH}$  | 2   |     |      | ns   |
| 30  | D | NOACC strobe delay time                                            | $t_{NOD}$  |     |     | 7    | ns   |
| 31  | D | NOACC valid time to E rise ( $PW_{EL}-t_{NOD}$ )                   | $t_{NOV}$  | 14  |     |      | ns   |

**Table A-21 Expanded Bus Timing Characteristics**

Conditions are shown in **Table A-4** unless otherwise noted,  $C_{LOAD} = 50pF$

| Num | C | Rating                                                   | Symbol    | Min | Typ | Max | Unit |
|-----|---|----------------------------------------------------------|-----------|-----|-----|-----|------|
| 32  | D | NOACC hold time                                          | $t_{NOH}$ | 2   |     |     | ns   |
| 33  | D | IPIPO[1:0] delay time                                    | $t_{P0D}$ | 2   |     | 7   | ns   |
| 34  | D | IPIPO[1:0] valid time to E rise ( $PW_{EL}-t_{P0D}$ )    | $t_{P0V}$ | 11  |     |     | ns   |
| 35  | D | IPIPO[1:0] delay time <sup>1</sup> ( $PW_{EH}-t_{P1V}$ ) | $t_{P1D}$ | 2   |     | 25  | ns   |
| 36  | D | IPIPO[1:0] valid time to E fall                          | $t_{P1V}$ | 11  |     |     | ns   |

NOTES:

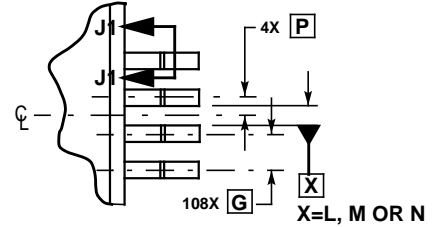
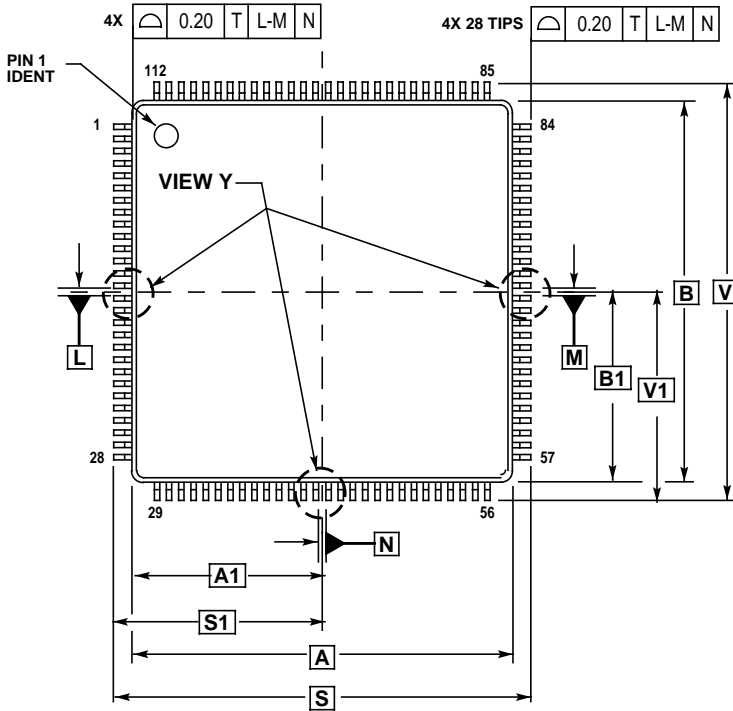
1. Affected by clock stretch: add  $N \times t_{cyc}$  where  $N=0,1,2$  or  $3$ , depending on the number of clock stretches.

## Appendix B Package Information

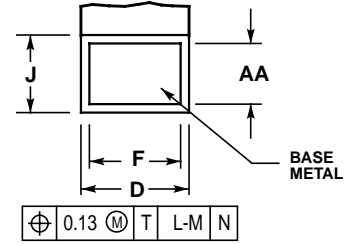
### B.1 General

This section provides the physical dimensions of the MC9S12DT256 packages.

## B.2 112-pin LQFP package



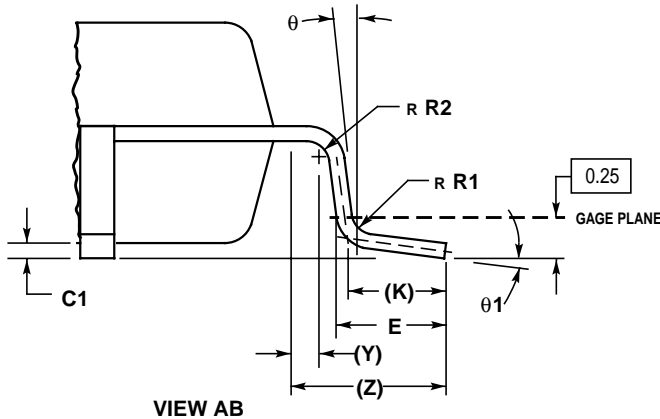
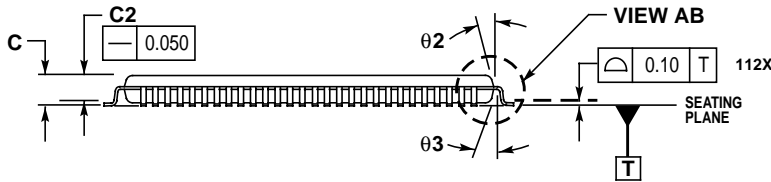
VIEW Y



SECTION J1-J1  
ROTATED 90° COUNTERCLOCKWISE

NOTES:

1. DIMENSIONING AND TOLERANCING PER ASME Y14.5M, 1994.
2. DIMENSIONS IN MILLIMETERS.
3. DATUMS L, M AND N TO BE DETERMINED AT SEATING PLANE, DATUM T.
4. DIMENSIONS S AND V TO BE DETERMINED AT SEATING PLANE, DATUM T.
5. DIMENSIONS A AND B DO NOT INCLUDE MOLD PROTRUSION. ALLOWABLE PROTRUSION IS 0.25 PER SIDE. DIMENSIONS A AND B INCLUDE MOLD MISMATCH.
6. DIMENSION D DOES NOT INCLUDE DAMBAR PROTRUSION. ALLOWABLE DAMBAR PROTRUSION SHALL NOT CAUSE THE D DIMENSION TO EXCEED 0.46.



| DIM     | MILLIMETERS |       |
|---------|-------------|-------|
|         | MIN         | MAX   |
| A       | 20.000      | BSC   |
| A1      | 10.000      | BSC   |
| B       | 20.000      | BSC   |
| B1      | 10.000      | BSC   |
| C       | ---         | 1.600 |
| C1      | 0.050       | 0.150 |
| C2      | 1.350       | 1.450 |
| D       | 0.270       | 0.370 |
| E       | 0.450       | 0.750 |
| F       | 0.270       | 0.330 |
| G       | 0.650       | BSC   |
| J       | 0.090       | 0.170 |
| K       | 0.500       | REF   |
| P       | 0.325       | BSC   |
| R1      | 0.100       | 0.200 |
| R2      | 0.100       | 0.200 |
| S       | 22.000      | BSC   |
| S1      | 11.000      | BSC   |
| V       | 22.000      | BSC   |
| V1      | 11.000      | BSC   |
| Y       | 0.250       | REF   |
| Z       | 1.000       | REF   |
| AA      | 0.090       | 0.160 |
| theta   | 0°          | 8°    |
| theta 1 | 3°          | 7°    |
| theta 2 | 11°         | 13°   |
| theta 3 | 11°         | 13°   |

Figure B-1 112-pin LQFP mechanical dimensions (case no. 987)



### B.3 80-pin QFP package

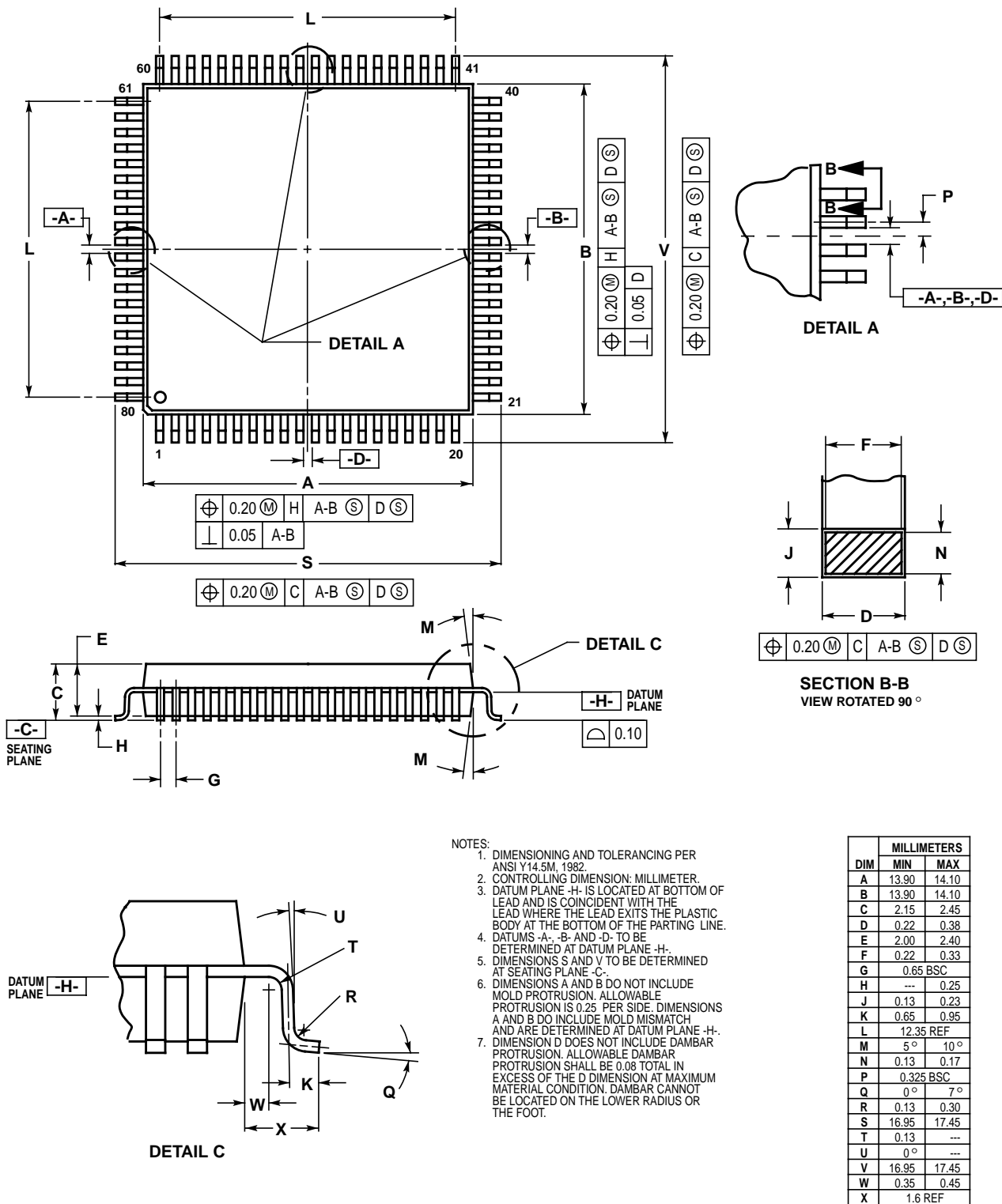


Figure B-2 80-pin QFP Mechanical Dimensions (case no. 841B)

