

File No	RDPS-MF008	
Revision	R1	
System Application	Mirco Filter For ADSL CPE Side	
Product Type	Micro filter	
Product Name	MF601F	
Date	Jul. 03 th , 2002	
Issued By	Sundi Lin- Design Engineer, R&D_1 sundi@ycl.com.tw	
Approved By	Roger Wu – Manager, R&D_1 roger@ycl.com.tw	
Issued Date		



YCL Electronics Co., Ltd.

No.95, Feng Jen Road. Feng Shan City, Kaohsiung, Taiwan, R.O.C.

This controlled document is the property of YCL Electronics Co., Ltd. Any duplication reproduction or transmission by unauthorized parties without the prior written permission of YCL Electronics Co., Ltd. is prohibited.

Table of contents

Item	Description	Page
1.	Introduction	3
2.	Reference	3
3.	Abbreviations	4
4.	Technical requirements	4
	4.1. Schematic	4
	4.2 : Electrical Specification	5
	4.3 : DC characteristic	7
	4.4 : Test methodology	7
	4.4.1 : Insertion loss	7
	4.4.2 : Return loss	8
5	Environmental condition	9
	5.1. Resistibility to overvoltage and overcurrents	9
	5.2. Climatic condition	9
	5.2.1. Operating temperature	9
	5.2.2. Storage and transport	9
	5.2.3. Operating humidity	9
6	Reliability conditions	9
	6.1. Thermal shock	9
	6.2. Temperature humidity exposure	9
	6.3. Vibration test	9
7.	Mechanical condition	10

1. Introduction:

The in-Line Micro filter has been specifically designed to implement the functionality of low pass filter in G.Lite system. G.Lite technology is similar to full rate ADSL in using DMT technology but operates at a lower data rate of up to 1.5Mbps downstream and 512Kbps upstream, depending on line conditions and lengths. ADSL Lite is proposed as a lower speed version of ADSL that will eliminate the need for telecom to install and maintain a premises based POTS splitter. It was found necessary to include one or more low pass filters in series with the POTS terminals in order to reliably achieve maximum data rates.

For POTS voice band service, the low pass filter provides protection from ADSL signal which may impact through non-line or other effects remote devices (handset, fax, voice band modem etc) and central office operation. For ADSL signal, it also provides protection from the high frequency transient and impedance effect that occur during POTS operation (ringing transients, on-hook, off-hook transient and so on).

Because the POTS splitter connects directly to the subscriber loop media, it must also provide some protection for externally induced line hits or faults which could damage any attached equipment or endanger humans interacting with the installed equipment. The circuit protection will be provided mostly by standard central office line protection means and additional protection measures built into pots splitter to protect against line overstress which could damage the splitter itself.

2. Reference:

- | | | |
|----------|---------------------|--|
| Ref. 1 : | ETS 300 001 | Attachment to Public Switched Telephone Network |
| Ref. 2 : | ANSI T1E1.4 G.992.2 | Network and Customer Installation Interface |
| Ref. 3 : | ITU-T K20 | Resistibility of telecommunication switching
Equipment to overvoltages and overcurrents |
| Ref. 4 : | ITU-T K21 | Resistibility of subscribers terminal to overvoltage and
overcurrents |

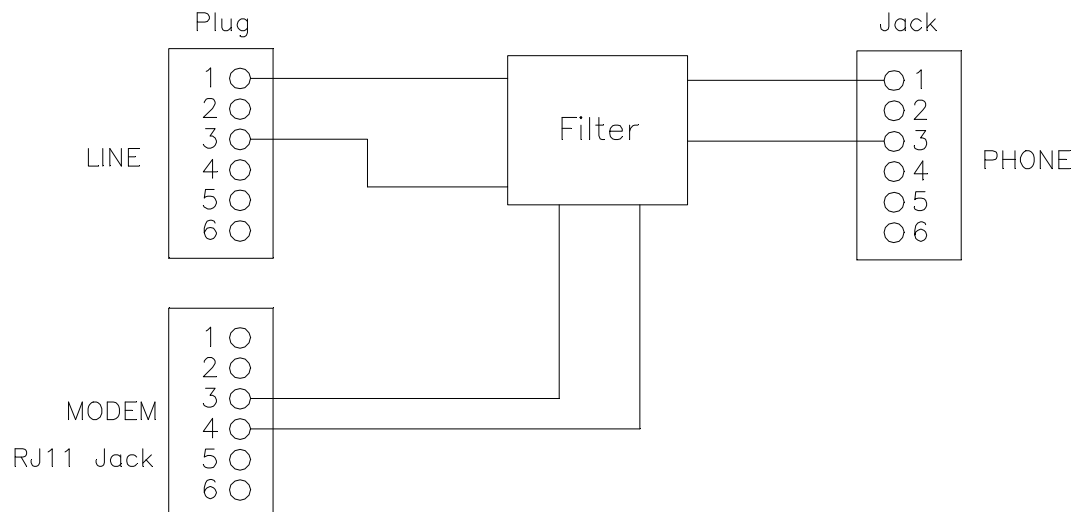
3. Abbreviations:

ADSL	Asymmetric Digital Subscriber Line
CO	Central Office
CPE	Customer Premise Equipment.
POTS	Plain Old Telephone Service
RT	Remote Terminal
ADSL-NT	Network termination of ADSL

4. Technical requirements:

4.1. Schematic:

The following drawing illustrate the schematic of this product.



4.2 : Electrical Specification :

The low pass filter shall satisfy the following parametric limits with a complex impedance ZL shown in this table across the Line side of this device .The following requirement is specified for a single splitter and with three added parallel filters

Splitter parameter	Electrical requirements	
	Range	values
Frequency range		
Splitter bandwidth		DC to 3.4KHz
Nominal voice band		0.3KHz to 3.4KHz
Billing tone		12KHz±80Hz
Ringling frequency		15.3Hz to 68Hz
ADSL band		30KHz to 1104KHz
Line Impedance ZL		270ohm + (750ohm 150nF)
CO impedance ZTc		270ohm + (750ohm 150nF)
RT impedance ZTr		270ohm + (750ohm 150nF)
Modem impedance	30KHz< f< 1104KHz	100 ohm
Operation voltage voice band		
Nominal signal		21mVpp to 5.4 Vpp
Billing tone		10Vpp to 30.2Vpp
Ringling signal		40Vrms to 150Vrms(113Vpp to 424 Vpp)
DC voltage		0V to -60V ANSI 6.98
Max. AC voltage		150Vrms with -105VDC offset
Max. differential		320V
Current voice band		
Loop current		<100mA
Transient current(on/off hook)		<150mA
DC Resistance		
DC Resistance		<=15.0 ohm
Isolation resistance tip/ring		>5 Mohm
Voice –band characteristic		
Insertion loss single filter	1004Hz	<1.0dB
Attenuation relative to 1004Hz	200Hz<f<4KHz	<±1.0 dB

Splitter parameter	Electrical requirements	
	Range	values
Insertion loss with three added parallel filters	1004Hz	<2.0dB
Attenuation relative to 1004Hz	200Hz<f<4KHz	<±1.0 dB
Insertion loss with two added parallel filters	200Hz<f<4KHz	<2.0dB
Delay distortion	200Hz<f<4KHz	<150 usec
Return loss single filter	200 Hz <f<500Hz	>=14.0dB
	500Hz<f<2KHz	>=18.0dB
	2KHz<f<3.4KHz	>=14.0dB
Return loss with three added parallel filters	200Hz<f<500Hz	>=18.0dB
	500Hz<f<2KHz	>=11.0dB
	2KHz<f<3.4KHz	>=8.0dB
Return loss with two added parallel filters	200Hz<f<500Hz	>=18.0dB
	500Hz<f<2KHz	>=14.0dB
	2KHz<f<3.4KHz	>=11.0dB
Isolation voltage		>2000Vrms for 1 minute
ADSL band characteristic		
Stop band attenuation	25KHz<f<50KHz	>15 dB
	50KHz<f<1MHz	>25 dB

4.3 : DC characteristic :

All requirement of this specification can be met in the presence of all POTS loop currents from 0mA to 100mA. This in line filter can pass POTS tip-to-ring dc voltages of 0V to 105V and ringing signals of 40V to 150Vrms at any frequency from 15.3Hz to 68Hz with a dc component in the range from 0V to 105V.

The DC resistance from tip-to-ring at the line port interface with the phone interface shorted, shall be less than or equal to 15 ohms for one splitter. The DC resistance from tip-to-ground and from ring-to-ground at the POTS interface with the U-R interface open shall be greater than or equal to 5 Megohms. The ground point shall be local building or green wire ground. As an objective , the dc resistance should exceed 10MΩ.

4.4 : Test method :

4.4.1 : Insertion loss :

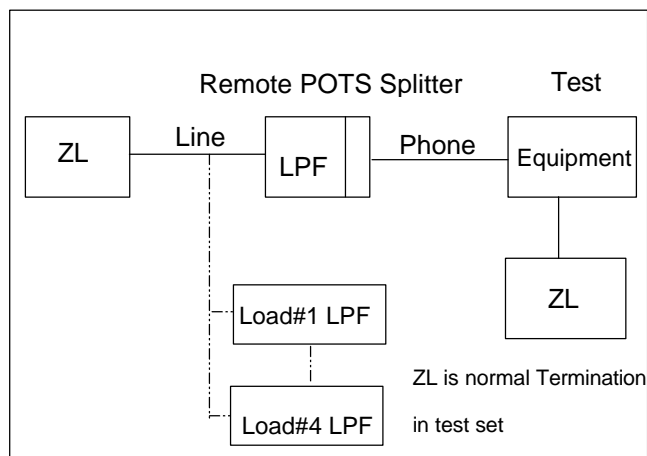
The insertion loss of a device connected into a given transmission system is defined as the ratio, expressed in dB, of the load power available (before and after insertion) delivered to the output network beyond the point of insertion at a given frequency. In general , the insertion loss is defined as the ratio, expressed in dB of the power delivered to a load with the circuit in place and the power delivered to a load without the circuit in place. The added insertion loss shall be measured using the test up in figure 3. For measuring POTS band insertion loss for single filter module also a single filter with four added parallel load filters. General Insertion loss equation can be expressed as following

Insertion loss = $20 \log |V2 / V1|$ dB where

V1 = the measured voltage value of load without LPF in circuit.

V2 = the measured voltage value of load with LPF in circuit.

The test setup is shown in drawing below. :



4.4.2 : Return loss :

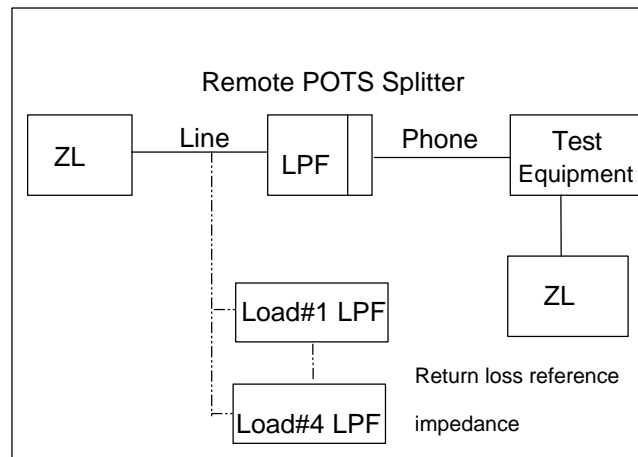
Return loss measure the amount of energy that is lost due to reflection which resulted from impedance mismatching at the interface. Return loss is essentially defined as the ratio of the power incident upon a given transmission system to the power reflected caused by impedance mismatch with respect to reference impedance at the interface between source and device. Return loss figure are a function of the impedance of the circuit involved and are therefore frequency dependent.

These impedance must be closely maintained in order to reduce the possibility of undesirable reflection and echoes which in long distance circuit the telephone user or destroy the data being sent. To perform the return loss test ,open ,short,load calibration must be done prior measurement while the LCZ impedance Analyzer being selected in impedance mode. Return loss is general expressed in decibels. General Return loss

equation as below: $Return\ loss = 20 \log \left| \frac{Z_L + Z_M}{Z_L - Z_M} \right| dB$

Where Z_L = the reference impedance Z_M = the measured impedance

The test setup is shown in drawing below:



5. Environmental condition:

5.1. Resistibility to overvoltages and overcurrents:

The splitter has to comply with requirements as per ITU-T K.21.

5.2. Climatic conditions:

5.2.1. Operating temperature:

Application indoor
Long time operation guarantee temperature (5 to 40 °C)
Short time operation guarantee temperature (0 to 50 °C)
(According to ETS 300 019, class 3.2)

5.2.2. Storage and transport:

Low ambient temperature - 20 °C
High ambient temperature +85 °C
(According to MIL-STD-202 method 107)

5.2.3. Operation humidity:

Long time operation guarantee humidity (5 to 85 %)
Short time operation guarantee humidity (5 to 90 %)
Short time : within 72 continuous hours and 15 days in a year

6. Reliability conditions:

6.1. Thermal shock :

Temperature from -20 °C to +85 °C for 5 cycles
(According to MIL-STD-202 , method 107)

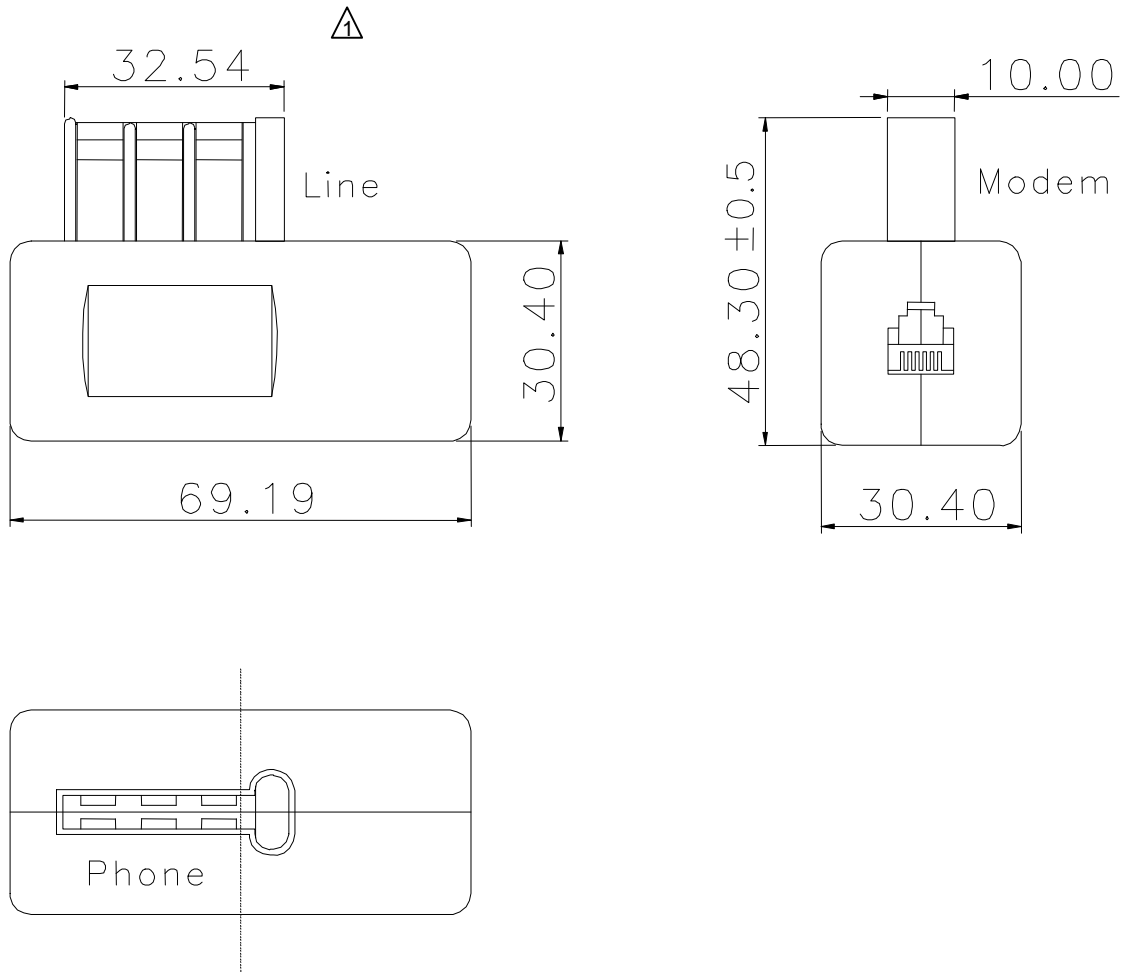
6.2. Temperature humidity exposure :

+50 °C /95RH , 96hrs
(According to MIL-STD-202 , method 103)

6.3. Vibration test :

Random vibration , frequency 5-500Hz , sweep time :1 hr / axis /
Force : 2.4grams (According to MIL-STD-202 , method 204)

7. Mechanical condition :



Note :

- 1. Unit : mm
- 2. Unless otherwise specified , all tolerances are ± 0.5 mm