

## Description

The MIM-0KM2ASF SERIES is miniaturized infrared receivers for remote control and other applications requiring improved ambient light rejection. The separate PIN diode and preamplifier IC are assembled on a single leadframe. The epoxy package contains a special IR filter. This module has excellent performance even in disturbed ambient light applications and provides protection against uncontrolled output pulses.



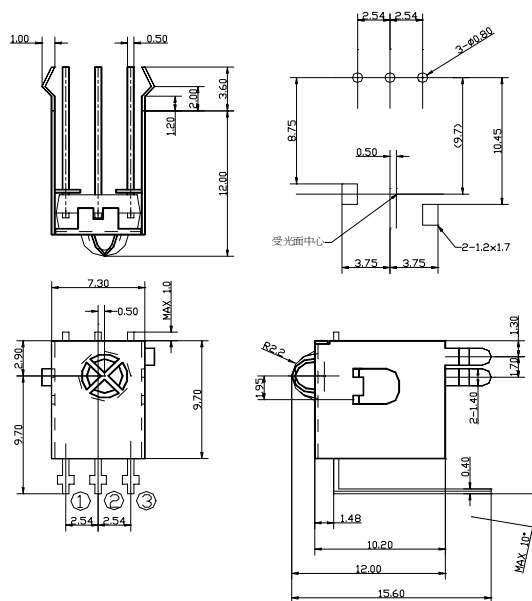
## Features

- Photo detector and preamplifier in one package
- Internal filter for PCM frequency
- High immunity against ambient light
- Improved shielding against electric field disturbance
- 2.4-Volt supply voltage; low power consumption
- TTL and CMOS compatibility

## MIM-0KM2xSF Series Models

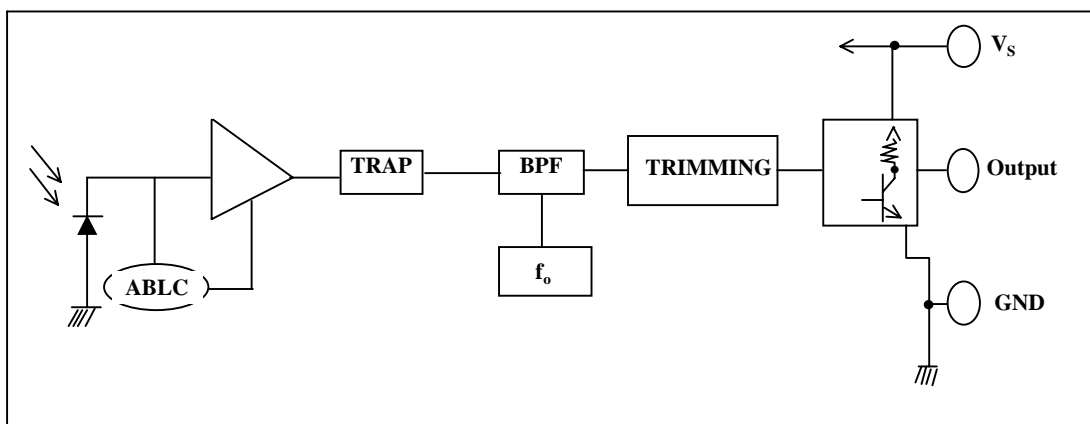
- MIM-0KM2ASF 37.9KHz
- MIM-0KM2BSF 32.7KHz
- MIM-0KM2CSF 40.0KHz
- MIM-0KM2DSF 36.7KHz
- MIM-0KM2FSF 56.7KHz

- ① Vout
- ② Vcc
- ③ GND



UNIT : mm

## BLOCK DIAGRAM



# MIM-0KM2ASF

## Absolute Maximum Ratings

@ Ta=25°C

| Item                  | Symbol           | Ratings    | Unit | Remark            |
|-----------------------|------------------|------------|------|-------------------|
| Supply voltage        | V <sub>CC</sub>  | 5.8        | V    |                   |
| Operating temperature | T <sub>opr</sub> | -10 ~ + 60 | °C   |                   |
| Storage temperature   | T <sub>stg</sub> | -20 ~ + 75 | °C   |                   |
| Soldering temperature | T <sub>sd</sub>  | 260        | °C   | Maximum 5 seconds |

## Electro-optical characteristics (V<sub>CC</sub>=2.4V)

(T<sub>a</sub>=25°C, V<sub>CC</sub>=2.4V)

| Parameter                           | Symbol                        | Min.                         | Typ. | Max. | Unit | Remarks              |
|-------------------------------------|-------------------------------|------------------------------|------|------|------|----------------------|
| Current consumption                 | I <sub>cc</sub>               |                              |      | 5.0  | mA   | Under no signal      |
| Response wavelength                 | λ <sub>p</sub>                |                              | 940  |      | nm   |                      |
| Tuning frequency                    | f <sub>0</sub>                | 37.9, 32.7, 40.0, 36.7, 56.7 |      |      | KHz  |                      |
| Output form                         | ----- active low output ----- |                              |      |      |      |                      |
| H level output voltage              | V <sub>oh</sub>               | 2.2                          |      |      | V    |                      |
| L level output voltage              | V <sub>ol</sub>               |                              |      | 0.5  | V    |                      |
| H level output pulse width          | T <sub>wh</sub>               | 400                          |      | 800  | μs   |                      |
| L level output pulse width          | T <sub>wl</sub>               | 400                          |      | 800  | μs   |                      |
| Distance between emitter & detector | L                             | 10.0                         |      |      | m    | Note 1               |
| Half angle                          | Δθ                            |                              | ±45  |      | deg  | Horizontal direction |

## Test Method

### A. Standard Transmitter

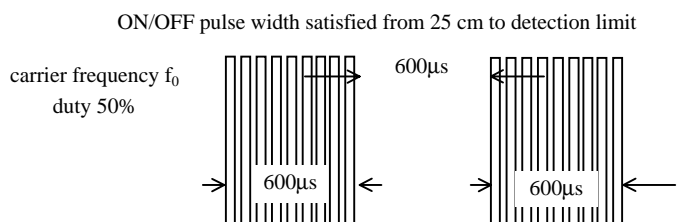


Fig 1. Burst Wave

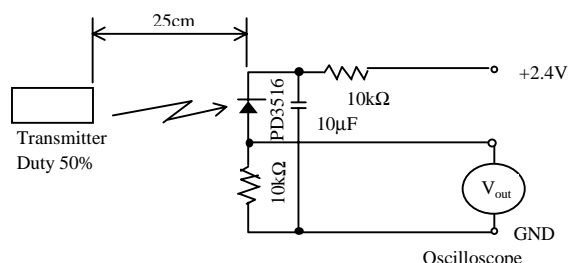
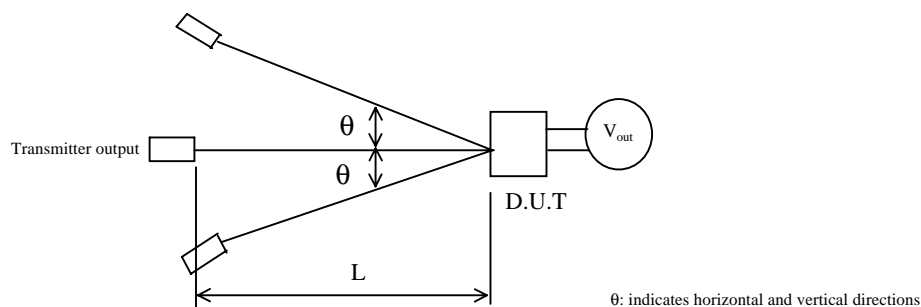
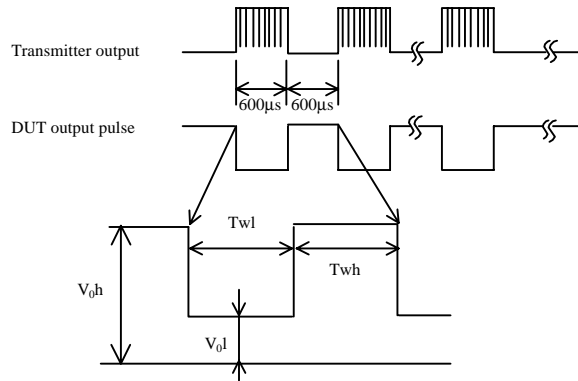


Fig 2. Standard Transmitter Measurement circuit

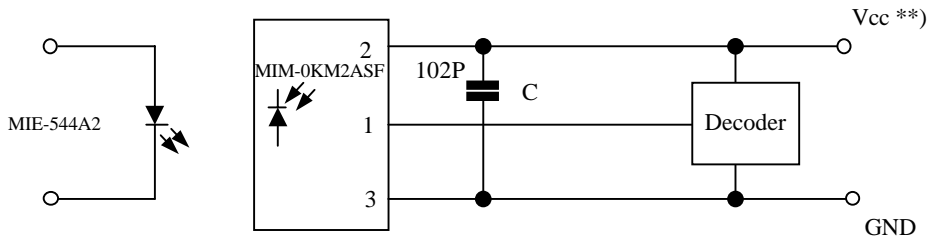
### B. Detection Length Test



C . Pulse Width Test

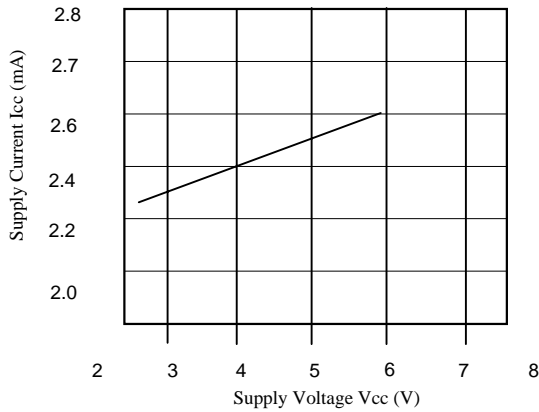


Application Circuit

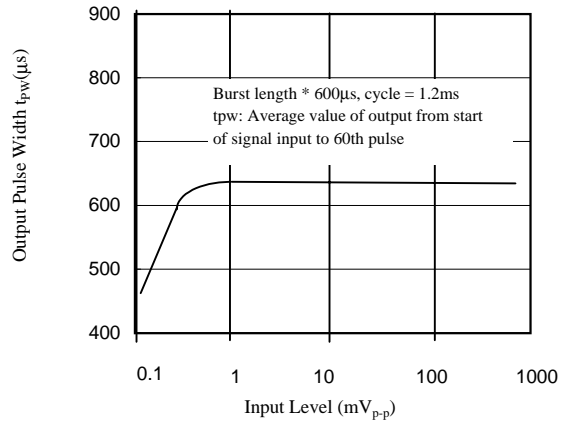


\*) only necessary to suppress power supply disturbances.  
 \*\*) tolerated supply voltage range : 2.4V < Vcc < 5.8V

CHARACTERISTIC CURVES (T<sub>A</sub>=25°C)



SUPPLY VOLTAGE vs. SUPPLY CURRENT



INPUT LEVEL vs.OUTPUT PULSE WIDTH

NOTE 1. Distance between emitter & detector specifies maximum distance that output wave form satisfies the standard under the conditions below against the standard transmitter.

- (1) Measuring place .....Indoor without extreme reflection of light.
- (2) Ambient light source... Detecting surface illumination shall be 200±50Lux under ordinary  
 hite fluorescence lamp of no high frequency lighting.
- (3) Standard transmitter ... Burst wave indicated in Fig 1. of standard transmitter  
 shall be arranged to 50mVp-p under the measuring circuit specified in Fig 2.

**Reliability**

| Test item               | Test condition  | Standard |
|-------------------------|---|----------|
| High temperature        | Ta=+60°C Vcc=5.0 V t=240H   | Note 2.  |
| High temp. & high humi. | Ta=+40°C 90%RH Vcc=5.0V t=240H  | Note 2.  |
| Low temperature         | Ta= -10°C Vcc=5.0V t=240H   | Note 2.  |
| Heat cycle              | -20°C (0.5H) ~ +75°C (0.5H) 20cycle   | Note 2.  |
| Dropping                | Test devices shall be dropped 3 times naturally onto hard wooden board from a 75cm height position. | Note 3.  |

NOTE 2. (electro-optical characteristics) shall be satisfied after leaving 2 hours in the normal temperature .

NOTE 3. (electro-optical characteristics) shall be satisfied and no conoid deforms and destructions of appearance .(excepting deforms of terminals)

**Inspection standard**

- 1.Among electrical characteristics , total number shall be inspected on items blow.
  - 1-1 front distance between emitter & detector
  - 1-2 Current consumption
  - 1-3 H level output voltage
  - 1-4 L level output voltage
- 2.Items except above mentioned are not inspected particularly , but shall fully satisfy

**CAUTION ( When use and storage of this device )**

- 1.Store and use where there is no force causing transformation or change in quality .
- 2.Store and use where there is no corrosive gas or sea(salt) breeze .
- 3.Store and use where there is no extreme humidity .
- 4.Solder the lead-pin within the condition of ratings. After soldering do not add extra force .
- 5.Do not wash this device . Wipe the stains of diode side with a soft cloth. You can use the solvent , ethylalcohol or methylalcohol or isupropylene only .
- 6.To prevent static electricity damage to the Pre-AMP make sure that the human body , the soldering iron is connected to ground before using .
- 7.Put decoupling device between Vcc and GND for reduce the noise from power supply line .
- 8.The performance of remote-control system depends on environments condition and ability of periferal parts. Customer should evaluate the performance as total system in those conditions after system up with components such as commander , micon and this receiver module .

**Guarantee period and scope**

- 1.Guarantee period
 

One year after delivery to desired place .
- 2.Guarantee scope
 

A re-delivery of goods will be carried out if the cause of malfunction lies in our device .However no responsibilities be taken for the inconveniences caused by the malfunction of our devices .

**Others**

- 1.This device is not design to endure radiative rays and heavily charged particles .
- 2.In case where any trouble or questions arise,both parties agree to make full discussion covering the said problem .