

MT900A-UR2

Features

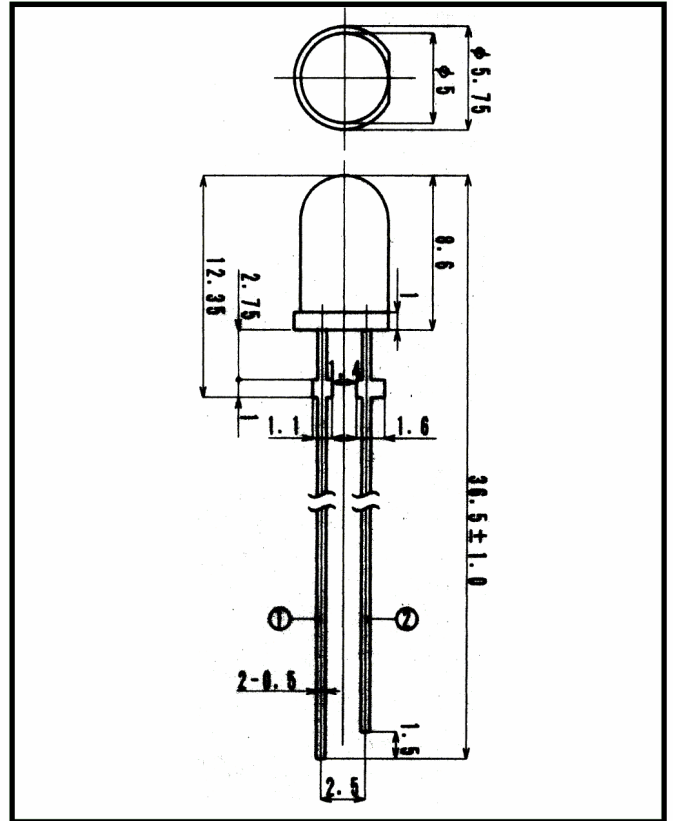
High power output
Narrow beam angle
High reliability
Stand off type

Applications

Optical sensor
Indicators

Maximum Ratings (Ta=25°C)

Characteristic	Symbol	Max.	Test Condition	Unit
Forward Current	I _F	50	-	mA
Pulsed Forward Current	I _{FP}	.50	T _w =10μ S, T=10mS	A
Reverse Voltage	V _R	4	-	V
Power Dissipation	P _D	120.00	-	mW
Operating Temperature	T _{opr}	-20 ~ +80	-	°C
Storage Temperature	T _{stg}	-30 ~ +100	-	°C
Soldering Temperature	T _{sol}	260°	for 3 sec. max	°C



Dimensions(Unit:mm)

Opto-Electrical Characteristics (Ta=25°C)

Characteristic	Symbol	Test Condition	Min	Typ	Max	Unit
Forward Voltage	V _F	I _F =20mA	-	1.80	2.20	V
Reverse Current	I _R	V _R =4V	-	-	100	μ A
Power Output	PO	I _F =20mA	5.00	6.50	-	mW
Half Intensity Beam Angle	θ	-	-	± 12°	-	deg.
Peak Wavelength	λ _p	I _F =20mA	-	660	-	nm
Dominant Wavelength	λ _d	I _F =20mA	-	643	-	nm
Spectral Line Half Width	Δλ	I _F =20mA	-	20	-	nm

Specification subject to change without notice.

MT900A-UR2 Graphs

