

N8T14, SN55122, SN75122 TRIPLE LINE RECEIVERS

SLLS075B – D1334, SEPTEMBER 1973 – REVISED FEBRUARY 1993

- Designed for Digital Data Transmission Over Coaxial Cable, Strip Line, or Twisted Pair
- Designed for Operation With 50- Ω to 500- Ω Transmission Lines
- TTL Compatible
- Single 5-V Supply
- Built-Input Threshold Hysteresis
- High-Speed . . . Typical Propagation Delay Time = 20 ns
- Independent Channel Strobes
- Input Gating Increases Application Flexibility
- Fanout to 10 Series 54/74 Standard Loads
- Can Be Used With Dual Line Drivers SN55121 and SN75121
- Interchangeable With Signetics N8T14

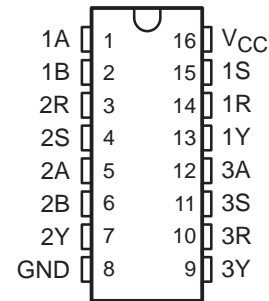
description

The N8T14, SN55122, and SN75122 are triple line receivers that are designed for digital data transmission over lines having impedances from 50 Ω to 500 Ω . They are also compatible with standard TTL-logic and supply voltage levels.

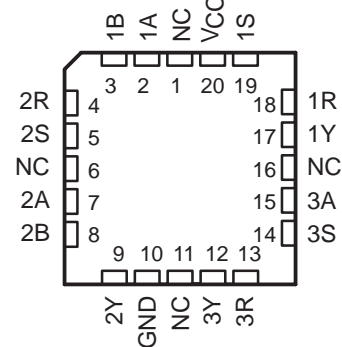
The N8T14, SN55122, and SN75122 have receiver inputs with built-in hysteresis to provide increased noise margin for single-ended systems. The high impedance of this input presents a minimum load to the driver and allows termination of the transmission line in its characteristic impedance to minimize line reflection. An open line will affect the receiver input as would a low-level voltage. The receiver can withstand a level of -0.15 V with power on or off. The other inputs are in TTL configuration. The S input must be high to enable the receiver input. Two of the line receivers have A and B inputs that, if both are high, will hold the output low. The third receiver has only an A input that, if high, will hold the output low.

The SN55122 is characterized for operation over the full military temperature range of -55°C to 125°C . The N8T14 and SN75122 are characterized for operation from 0°C to 70°C .

SN55122 . . . J PACKAGE
N8T14, SN75122 . . . D OR N PACKAGE
(TOP VIEW)



SN55122 . . . FK PACKAGE
(TOP VIEW)



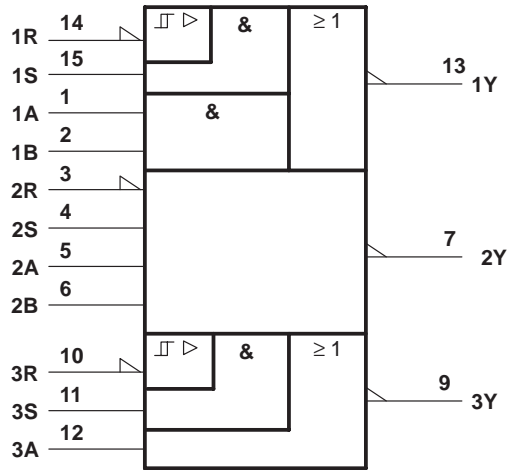
NC—No internal connection

**THE N8T14 AND SN75122 ARE NOT
RECOMMENDED FOR NEW DESIGN**

N8T14, SN55122, SN75122 TRIPLE LINE RECEIVERS

SLLS075B – D1334, SEPTEMBER 1973 – REVISED FEBRUARY 1993

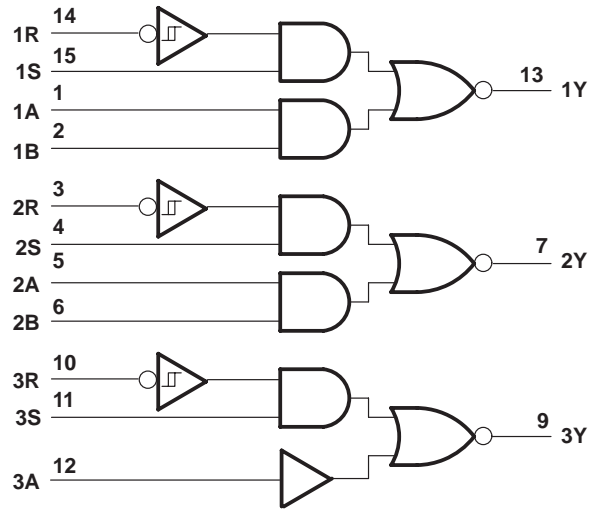
logic symbol†



† This symbol is in accordance with ANSI/IEEE Std 91-1984 and IEC Publication 617-12.

Pin numbers shown are for the D, J, and N packages.

logic diagram



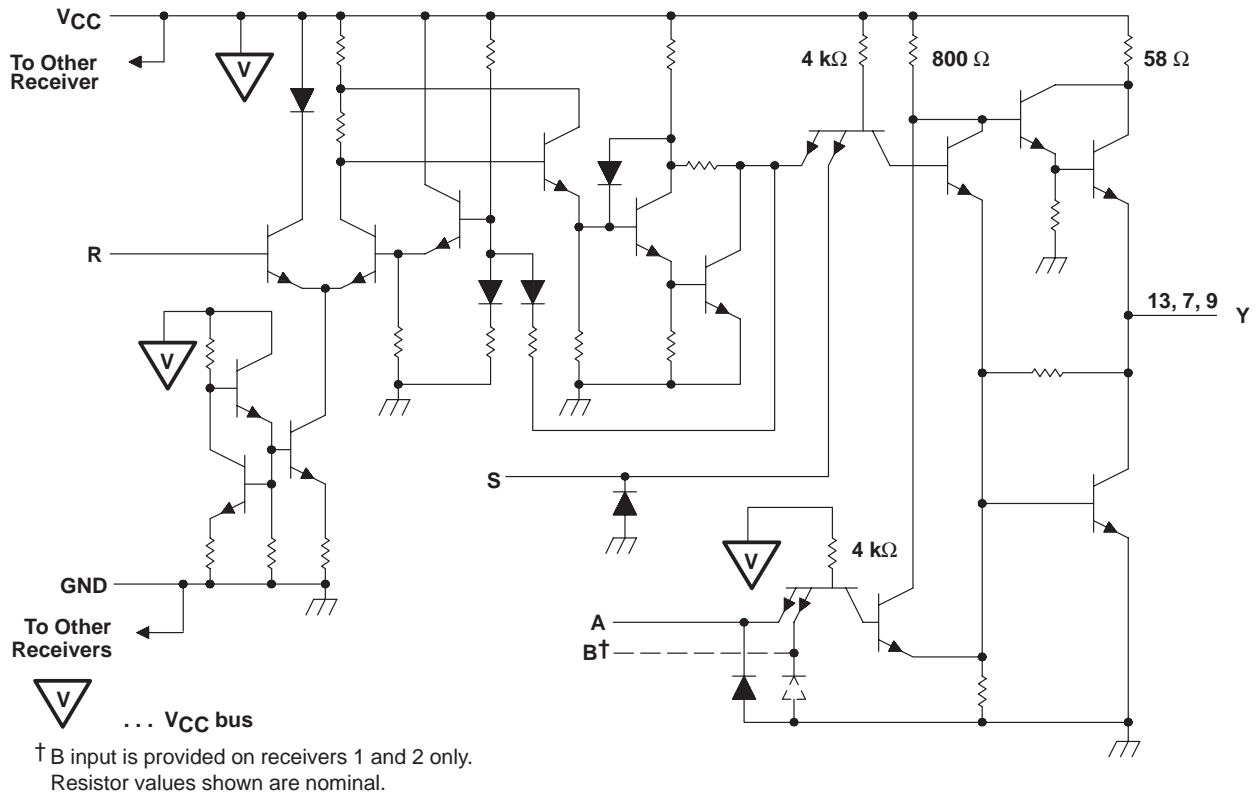
FUNCTION TABLE

INPUTS				OUTPUT
A	B‡	R	S	Y
H	H	X	X	L
X	X	L	H	L
L	X	H	X	H
L	X	X	L	H
X	L	H	X	H
X	L	X	L	H

‡ B input and last two lines of the function table are applicable to receivers 1 and 2 only.

H = high level, L = low level, X = irrelevant

schematic diagram (each receiver)



absolute maximum ratings over operating free-air temperature range (unless otherwise noted)

Supply voltage, V_{CC} (see Note 1)	6 V
Input voltage:	
R input	6 V
A, B, or S input	5.5 V
Output voltage	6 V
Output current	± 100 mA
Continuous total power dissipation (see Note 2)	See Dissipation Rating Table
Operating free-air temperature range:	
SN55122	-55°C to 125°C
N8T14, SN75122	0°C to 70°C
Storage temperature range	-65°C to 150°C
Case temperature for 60 seconds: FK package	260°C
Lead temperature 1,6 mm (1/16 inch) from case for 60 seconds: J package	300°C
Lead temperature 1,6 mm (1/16 inch) from case for 10 seconds: D or N package	260°C

- NOTES: 1. Voltage values are with respect to network ground terminal.
2. The SN55122 chips are alloy mounted, and the SN75122 chips are glass mounted.

DISSIPATION RATING TABLE

PACKAGE	$T_A \leq 25^{\circ}\text{C}$ POWER RATING	DERATING FACTOR ABOVE $T_A = 25^{\circ}\text{C}$	$T_A = 70^{\circ}\text{C}$ POWER RATING	$T_A = 125^{\circ}\text{C}$ POWER RATING
D	950 mW	7.6 mW/ $^{\circ}\text{C}$	608 mW	—
FK	1375 mW	11.0 mW/ $^{\circ}\text{C}$	880 mW	275 mW
J	1375 mW	11.0 mW/ $^{\circ}\text{C}$	880 mW	275 mW
N	1150 mW	9.2 mW/ $^{\circ}\text{C}$	736 mW	—

N8T14, SN55122, SN75122 TRIPLE LINE RECEIVERS

SLLS075B – D1334, SEPTEMBER 1973 – REVISED FEBRUARY 1993

recommended operating conditions

		MIN	NOM	MAX	UNIT
Supply voltage, V_{CC}		4.75	5	5.25	V
High-level input voltage, V_{IH}	A, B, R, or S	2			V
Low-level input voltage, V_{IL}	A, B, R, or S	0.8			V
High-level output current, I_{OH}		-500			μ A
Low-level output current, I_{OL}		16			mA
Operating free-air temperature, T_A	SN55122	-55	125		$^{\circ}$ C
	SN75122	0	70		

electrical characteristics over recommended operating free-air temperature, $V_{CC} = 4.75$ V to 5.25 V (unless otherwise noted)

PARAMETER			TEST CONDITIONS			MIN	TYP†	MAX	UNIT
V_{hys}	Hysteresis ($V_{T+} - V_{T-}$)	R	$V_{CC} = 5$ V, $T_A = 25^{\circ}$ C, See Figures 2 and 4			0.3	0.6		V
V_{IK}	Input clamp voltage	A, B, or S	$V_{CC} = 5$ V, $I_I = -12$ mA					-1.5	V
$V_{I(BR)}$	Input breakdown voltage	A, B, or S	$V_{CC} = 5$ V, $I_I = 10$ mA			5.5			V
V_{OH}	High-level output voltage		$V_{IH} = 2$ V, $V_{IL} = 0.8$ V, $I_{OH} = -500$ μ A			2.6			V
			$V_{I(A)} = 0$, $V_{I(B)} = 0$, $V_{I(S)} = 2$ V, $V_{I(R)} = 1.45$ V, $I_{OH} = -500$ μ A, See Note 3			2.6			
V_{OL}	Low-level output voltage		$V_{IH} = 2$ V, $V_{IL} = 0.8$ V, $I_{OL} = 16$ mA					0.4	V
			$V_{I(A)} = 0$, $V_{I(B)} = 0$, $V_{I(S)} = 2$ V, $V_{I(R)} = 1.45$ V, $I_{OL} = 16$ mA, See Note 4					0.4	
I_{IH}	High-level input current	A, B, or S	$V_I = 4.5$ V					40	μ A
		R	$V_I = 3.8$ V					170	
I_{IL}	Low-level input current	A, B, or S	$V_I = 0.4$ V, $V_{IR} = 0.8$ V			-0.1		-1.6	mA
I_{OS}^{\ddagger}	Short-circuit output current		$V_{CC} = 5$ V, $T_A = 25^{\circ}$ C			-50		-100	mA
I_{CCH}	High-level supply current		$V_{CC} = MAX$, All inputs at 0.8 V, Outputs open					72	mA
I_{CCL}	Low-level supply current		$V_{CC} = MAX$, All inputs at 2 V, Outputs open					100	mA

† All typical values are at $V_{CC} = 5$ V and $T_A = 25^{\circ}$ C.

‡ Not more than one output should be shorted at a time, and duration of the short circuit should not exceed one second.

NOTES: 3. The receiver input is high immediately before being reduced to 1.45 V.

4. The receiver input is low immediately before being increased to 1.45 V.

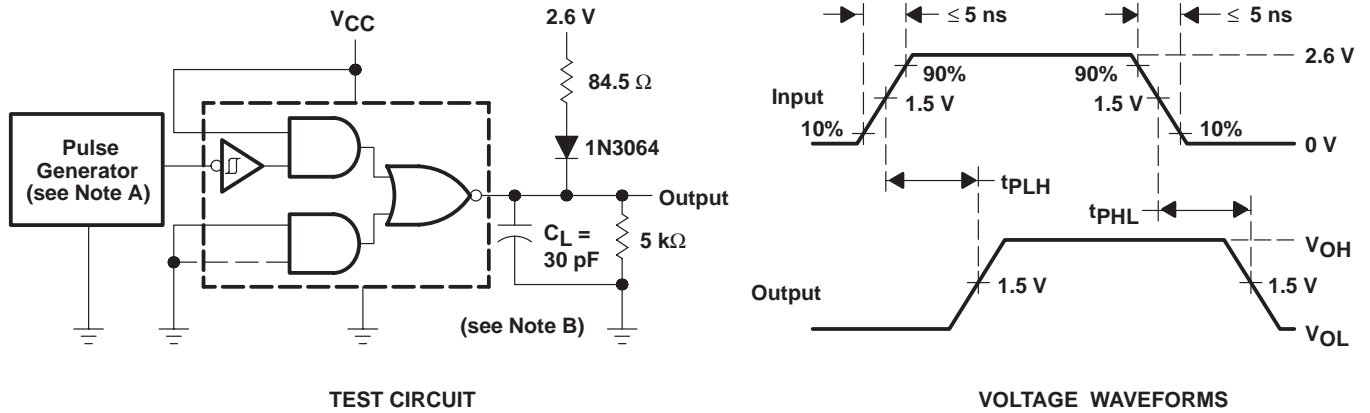
switching characteristics, $V_{CC} = 5$ V, $T_A = 25^{\circ}$ C

PARAMETER		TEST CONDITIONS	MIN	TYP	MAX	UNIT
t_{PLH}	Propagation delay time, low-to-high-level output from R input	See Figure 1		20	30	ns
t_{PHL}	Propagation delay time, high-to-low-level output from R input			20	30	



POST OFFICE BOX 655303 • DALLAS, TEXAS 75265

PARAMETER MEASUREMENT INFORMATION



NOTES: A. The pulse generator has the following characteristics: $Z_O = 50 \Omega$, $t_W = 200 \text{ ns}$, duty cycle = 50%, $\text{PRR} \leq 500 \text{ kHz}$.
B. C_L includes probe and jig capacitance.

Figure 1. Test Circuit and Voltage Waveforms

TYPICAL CHARACTERISTICS

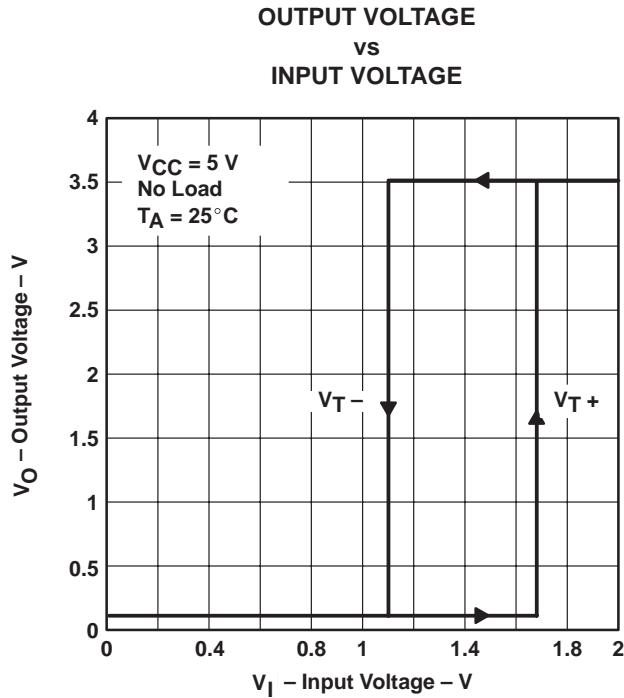


Figure 2

APPLICATION INFORMATION

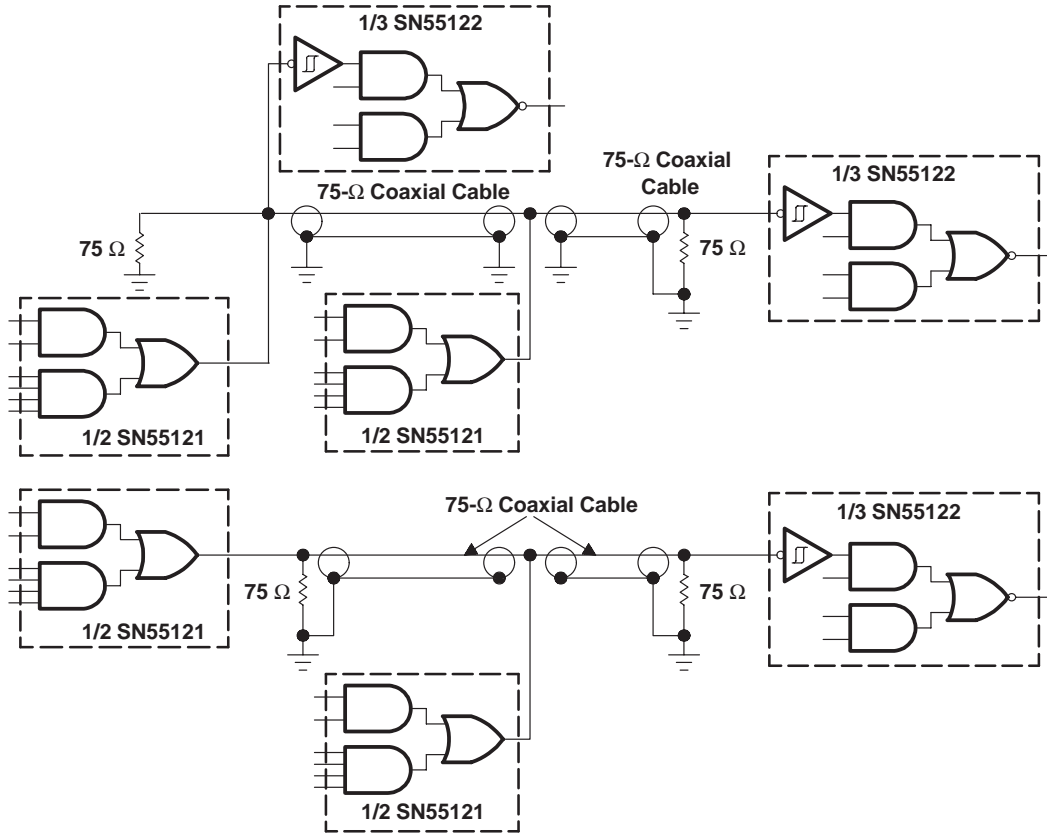
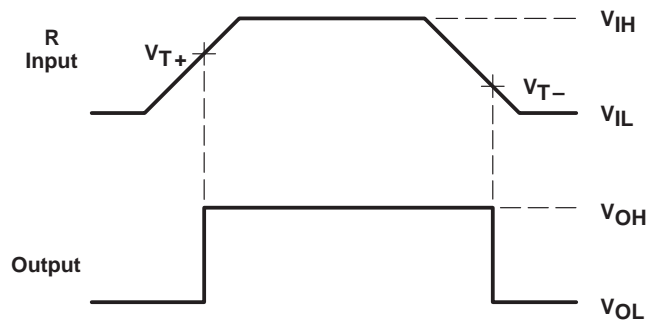


Figure 3. Single-Ended Party Line Circuits



NOTE: The high gain and built-in hysteresis of the SN55122 and SN75122 line receivers enable them to be used as Schmitt triggers in squaring pulses.

Figure 4. Pulse Squaring

IMPORTANT NOTICE

Texas Instruments (TI) reserves the right to make changes to its products or to discontinue any semiconductor product or service without notice, and advises its customers to obtain the latest version of relevant information to verify, before placing orders, that the information being relied on is current and complete.

TI warrants performance of its semiconductor products and related software to the specifications applicable at the time of sale in accordance with TI's standard warranty. Testing and other quality control techniques are utilized to the extent TI deems necessary to support this warranty. Specific testing of all parameters of each device is not necessarily performed, except those mandated by government requirements.

Certain applications using semiconductor products may involve potential risks of death, personal injury, or severe property or environmental damage ("Critical Applications").

TI SEMICONDUCTOR PRODUCTS ARE NOT DESIGNED, INTENDED, AUTHORIZED, OR WARRANTED TO BE SUITABLE FOR USE IN LIFE-SUPPORT APPLICATIONS, DEVICES OR SYSTEMS OR OTHER CRITICAL APPLICATIONS.

Inclusion of TI products in such applications is understood to be fully at the risk of the customer. Use of TI products in such applications requires the written approval of an appropriate TI officer. Questions concerning potential risk applications should be directed to TI through a local SC sales office.

In order to minimize risks associated with the customer's applications, adequate design and operating safeguards should be provided by the customer to minimize inherent or procedural hazards.

TI assumes no liability for applications assistance, customer product design, software performance, or infringement of patents or services described herein. Nor does TI warrant or represent that any license, either express or implied, is granted under any patent right, copyright, mask work right, or other intellectual property right of TI covering or relating to any combination, machine, or process in which such semiconductor products or services might be or are used.