

# High Dynamic Range Dual, Low Noise GaAs FET



## CFK0301

### Product Specifications April 1998

(1 of 4)

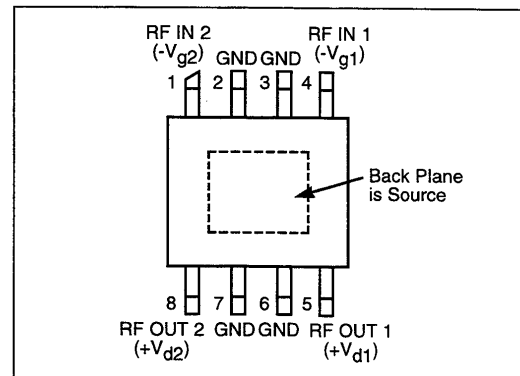
## High Dynamic Range Dual, Low-Noise GaAs FET

#### Features

- ❑ Dual 600  $\mu\text{m}$  GaAs FETs in a Single Package
- ❑ Guaranteed Low-Noise Figure: 0.8 to 2.0 GHz
- ❑ Excellent Gain and Phase Matching
- ❑ High Intercept Point
- ❑ Easily Matched for Low Noise Figure
- ❑ Surface Mount SO-8 Package

#### Applications

- ❑ Cellular Base Stations
- ❑ PCS Base Stations
- ❑ Industrial Data Networks



#### Description

Celeritek's CFK0301 contains two independent GaAs FETs in one surface-mount package. Each device is an 600  $\mu\text{m}$  gate width and 1/4  $\mu\text{m}$  gate length MESFET and provide low-noise figure and high intercept point. As the two GaAs FET die are selected from adjacent areas of the

processed wafer, they are matched in gain and phase.

The CFK0301 is suitable as balanced front-end FETs of a low-noise amplifier of base stations for PCS, Japanese PHS, AMPS, GSM and other communications systems.

The CFK0301 is packaged in a SO-8 package which is surface-mountable and available in tape and reel.

#### Electrical Specifications of a single GaAs FET (TA = 25°C, 2 GHz)

RF Characteristics (Celeritek 1.9 GHz test fixture <sup>1</sup> )		900 MHz			1.9 GHz			Units
Parameters	Conditions	Min	Typ	Max	Min	Typ	Max	
$V_d = 4\text{V}, I_d = 30\text{ mA}$								
Noise Figure			0.6			0.75	0.85	dB
Associated Gain	@ Noise Figure		22		15.5	16.5		dB
$P_{out}$	$P_{-1}$		17.5		17.5	18.5		dBm
$IP_3$	+5 dBm $P_{OUT}$ /Tone		27		27	28		dBm
$I_d$	@ $P_{-1}$ per FET		43			42		mA
$V_d = 4\text{V}, I_d = 70\text{ mA}$								
Noise Figure			0.6			0.8		dB
Associated Gain	@ Noise Figure		23.5			17.5		dB
$P_{out}$	$P_{-1}$		19.5			19		dBm
$IP_3$	+5 dBm $P_{OUT}$ /Tone		31			28		dBm
$I_d$	@ $P_{-1}$ per FET		72			71		mA
<b>DC Characteristics</b>								
Transconductance	$V_{ds} = 2\text{ V}, V_{gs} = 0\text{ V}$	70	140					mmho
Saturated Drain Current	$V_{ds} = 2\text{ V}, V_{gs} = 0\text{ V}$	120	150	180				mA
Pinchoff Voltages	$V_{ds} = 2\text{ V}, I_{ds} = 1\text{ mA}$	-2.5	-1.3	-0.5				V
Thermal Resistance <sup>2</sup>	@ $T_{case} = 150^\circ\text{C}$ liquid crystal test		42					$^\circ\text{C}/\text{W}$

Notes: 1. Input matched for low noise.  
2. For both FETs.

# High Dynamic Range Dual, Low Noise GaAs FET

## CFK0301

## Product Specifications - April 1998 (2 of 4)

### Typical Noise Parameters ( $V_{ds} = 4\text{ V}$ , $I_{ds} = 30\text{ mA}$ )

Frequency (GHz)	$F_{min}$ (dB)	Gamma Opt		RN/50
		Mag	Ang	
0.6	0.3	0.9169	30	0.20
0.8	0.3	0.8840	33	0.19
1.0	0.4	0.8490	36	0.17
1.2	0.5	0.8390	40	0.18
1.4	0.5	0.7753	44	0.18
1.6	0.5	0.7419	47	0.17
1.8	0.6	0.7257	50	0.16
2.0	0.6	0.7120	53	0.16

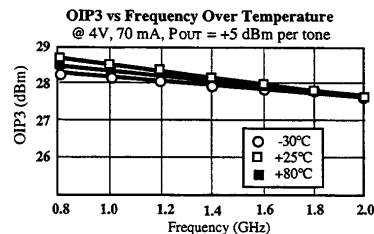
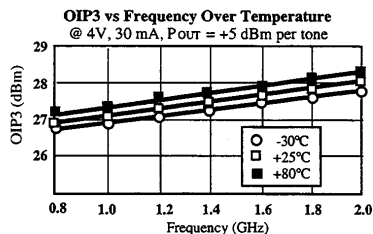
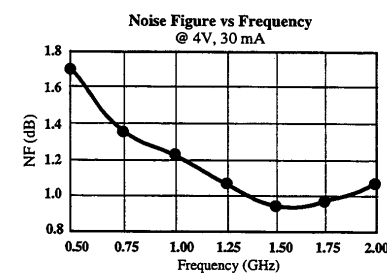
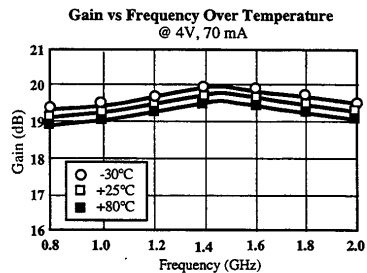
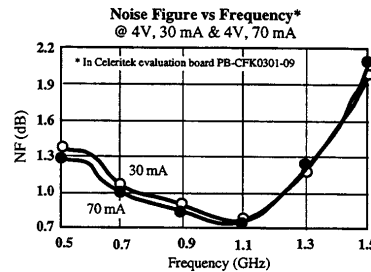
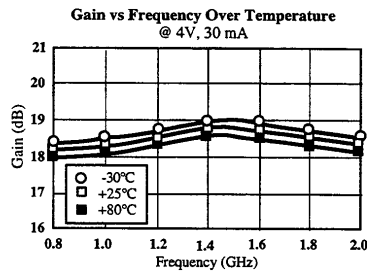
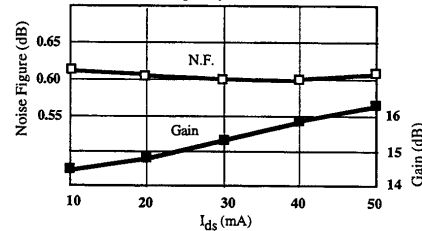
### Absolute Maximum Ratings

Parameter	Symbol	Rating
Drain-Source Voltage	$V_{ds}$ 1, 2	+6V
Gate-Source Voltage	$V_{gs}$ 1, 2	-4V
Drain Current of Each Device	$I_{ds}$	$I_{dss}$
Continuous Dissipation	Pt	1.5 W
Channel Temperature	Tch	175°C
Storage Temperature	Tstg	-65°C to +150°C

### Typical Performance

(In Celeritek PB-CFK0301-P3-00 Evaluation Board)

Noise Figure & Gain vs  $I_{ds}$   
Frequency = 2 GHz



# High Dynamic Range Dual, Low Noise GaAs FET

Mimix  
BROADBAND™

August 2006 - Rev 03-Aug-06

CFK0301



CFK0301

## Product Specifications - April 1998

(3 of 4)

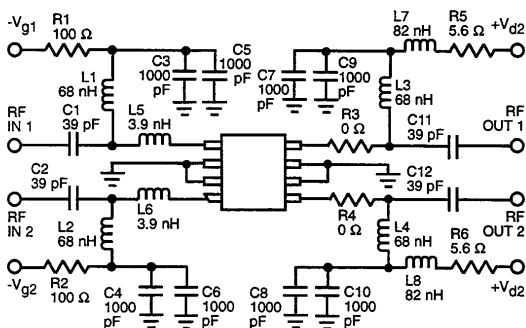
Typical Scattering Parameters (TA = 25°C, V<sub>DS</sub> = 4 V, I<sub>DS</sub> = 30 mA) Information is available on disk.

Frequency (GHz)	S <sub>11</sub>		S <sub>21</sub>		S <sub>12</sub>		S <sub>22</sub>	
	Mag	Ang	Mag (dB)	Ang	MAG (dB)	ANG	MAG	ANG
0.5	0.99	-27.9	17.37	157.0	0.01	69.3	0.37	-22.3
0.7	0.98	-39.3	17.24	147.9	0.02	61.6	0.37	-31.4
0.8	0.98	-44.9	17.15	143.3	0.02	58.9	0.37	-36.1
0.9	0.97	-50.4	17.00	138.6	0.03	54.1	0.37	-40.4
1.0	0.97	-55.8	16.91	134.3	0.03	50.5	0.37	-44.7
1.3	0.96	-71.4	16.54	121.5	0.03	39.2	0.36	-57.6
1.5	0.95	-81.1	16.25	113.2	0.04	32.0	0.36	-65.7
1.8	0.93	-94.3	15.80	101.5	0.04	22.6	0.35	-76.8
1.9	0.92	-98.4	15.66	97.9	0.05	19.1	0.34	-80.5
2.0	0.91	-102.2	15.52	94.4	0.05	14.8	0.33	-83.4
2.5	0.87	-122.0	15.06	77.3	0.06	1.6	0.32	-99.7
3.0	0.86	-145.0	14.71	58.5	0.06	-13.1	0.31	-117.4
3.5	0.84	-131.9	14.03	40.4	0.07	-27.9	0.31	-129.4
4.0	0.85	68.8	13.07	24.8	0.07	-39.8	0.29	-136.6

Typical Scattering Parameters (TA = 25°C, V<sub>DS</sub> = 4 V, I<sub>DS</sub> = 70 mA) Information is available on disk.

Frequency (GHz)	S <sub>11</sub>		S <sub>21</sub>		S <sub>12</sub>		S <sub>22</sub>	
	Mag	Ang	Mag (dB)	Ang	MAG (dB)	ANG	MAG	ANG
0.5	0.99	-29.9	19.10	156.0	0.01	68.8	0.34	-22.2
0.7	0.98	-42.0	18.94	146.4	0.02	62.0	0.34	-31.3
0.8	0.98	-48.0	18.83	141.0	0.02	58.8	0.34	-36.1
0.9	0.97	-53.9	18.65	136.7	0.02	-54.3	0.33	-40.5
1.0	0.97	-59.5	18.54	132.3	0.02	50.3	0.33	-44.6
1.3	0.95	-75.9	18.13	119.2	0.03	39.4	0.33	-57.3
1.5	0.94	-85.9	17.78	110.7	0.03	32.1	0.32	-65.2
1.8	0.92	-99.7	17.28	98.9	0.03	22.8	0.31	-75.9
1.9	0.91	-104.0	17.13	95.1	0.04	20.0	0.31	-79.6
2.0	0.90	-107.8	16.95	91.7	0.04	15.0	0.30	-82.0
2.5	0.86	-128.4	16.42	74.1	0.04	2.7	0.28	-97.8
3.0	0.85	-152.1	15.96	55.3	0.05	-11.3	0.27	-114.7
3.5	0.82	-67.2	15.20	37.2	0.05	-25.0	0.28	-125.6
4.0	0.83	134.1	14.19	21.8	0.05	-36.0	0.26	-131.3

### Test Circuit - 900 MHz

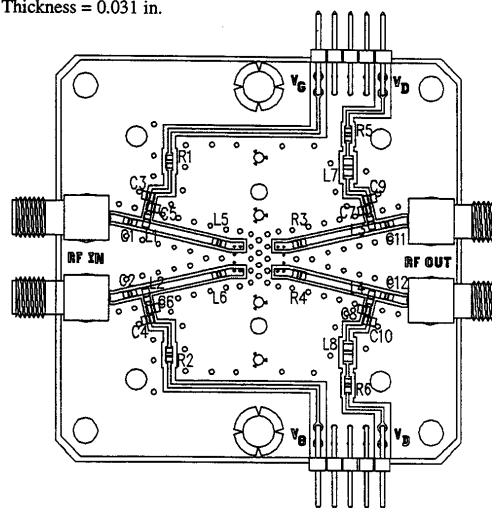


### Evaluation Board Parts List

Item	Reference Designator	Description	Quantity
1	C1, C2, C11, C12	Capacitor, 39 pF	4
2	C3, C4, C5, C6, C7, C8, C9, C10	Capacitor, 1000 pF	8
3	R5, R6	Resistor, 5.6 Ω, 5%	2
4	R1, R2	Resistor, 100 Ω, 5%	2
5	L1, L2, L3, L4	Inductor, 68 nH	4
6	L5, L6	Inductor, 3.9 nH	2
7	L7, L8	Inductor, 82 nH	2
8	R3, R4	Resistor, 0 Ω	2

### PB-CFK0301-P1-00 Evaluation Board

Evaluation Board Substrate:  
ER = 4.65  
Thickness = 0.031 in.



3236 Scott Boulevard

Santa Clara, California 95054 [ 27 ] Phone: (408) 986-5060

Fax: (408) 986-5095

Mimix Broadband, Inc., 10795 Rockley Rd., Houston, Texas 77099  
Tel: 281.988.4600 Fax: 281.988.4615 mimixbroadband.com

Page 3 of 4

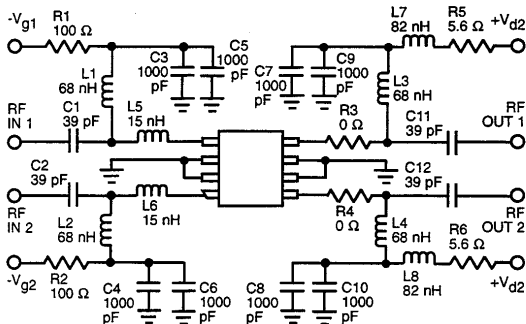
Characteristic Data and Specifications are subject to change without notice. ©2006 Mimix Broadband, Inc.  
Export of this item may require appropriate export licensing from the U.S. Government. In purchasing these parts, U.S. Domestic customers accept their obligation to be compliant with U.S. Export Laws.

# High Dynamic Range Dual, Low Noise GaAs FET

## CFK0301

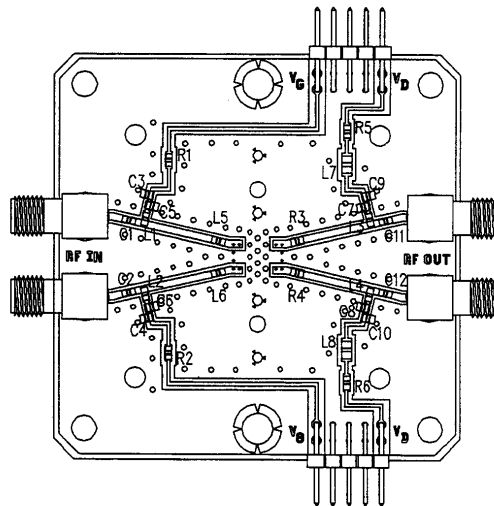
## Product Specifications - April 1998 (4 of 4)

### Test Circuit - 1.9 GHz



### PB-CFK0301-P3-00 Evaluation Board

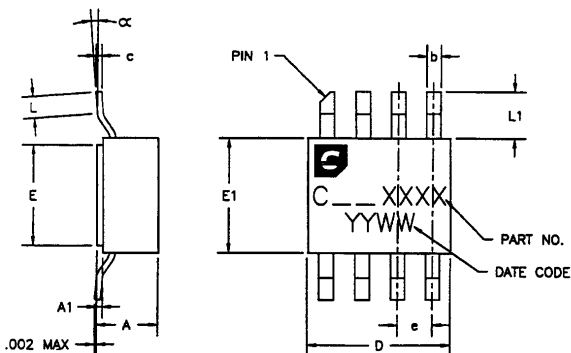
Evaluation Board Substrate:  
ER = 4.65  
Thickness = 0.031 in.



### Evaluation Board Parts List

Item	Reference Designator	Description	Quantity
1	C1, C2, C11, C12	Capacitor, 39 pF	4
2	C3, C4, C5, C6, C7, C8, C9, C10	Capacitor, 1000 pF	8
3	R5, R6	Resistor, 5.6 Ω, 5%	2
4	R1, R2	Resistor, 100 Ω, 5%	2
5	L1, L2, L3, L4	Inductor, 68 nH	4
6	L5, L6	Inductor, 15 nH	2
7	L7, L8	Inductor, 82 nH	2
8	R3, R4	Resistor, 0 Ω	2

### SO-8 Power Package Physical Dimensions



DIMENSION	MINIMUM	NOMINAL	MAXIMUM
A		.086 [.0034]	.100 [.0039]
A1	.005 [.0002]	.008 [.0003]	.011 [.0004]
b	.017 [.0007]	.020 [.0008]	.023 [.0009]
c	.007 [.0003]	.008 [.0003]	.009 [.0004]
D	.195 [.0077]	.200 [.0079]	.205 [.0081]
E	.135 [.0053]	.140 [.0055]	.145 [.0057]
E1	.155 [.0061]	.160 [.0063]	.165 [.0065]
e		.050 [.0020]	
L	.020 [.0009]		.040 [.0016]
L1	.055 [.0022]	.065 [.0026]	.075 [.0030]
α	0°		8°

DIMENSIONS IN INCHES

### Ordering Information

The CFK0301GaAs FET is available in tape and reel. An evaluation board is also available. Ordering part numbers are listed.

#### Part Number for Ordering

CFK0301-AK-0000

CFK0301-AK-000T

PB-CFK0301-P1-000

PB-CFK0301-P3-000

#### Function

Dual, Low-Noise high dynamic range FET

900 MHz, Dual, Low-Noise high dynamic range FET

900 MHz, Evaluation Board

1.9 GHz, Evaluation Board

#### Package

SO-8 package

SO-8 package in tape and reel

Celeritek reserves the right to make changes without further notice to any products herein. Celeritek makes no warranty, representation or guarantee regarding the suitability of its products for any particular purpose, nor does Celeritek assume any liability arising out of the application or use of any product or circuit, and specifically disclaims any and all liability, including without limitation consequential or incidental damages. "Typical" parameters can and do vary in different applications. All operating parameters, including "Typicals" must be validated for each customer application by customer's technical experts. Celeritek does not convey any license under its patent rights nor the rights of others. Celeritek products are not designed, intended, or authorized for use as components in systems intended for surgical implant into the body, or other applications intended to support or sustain life, or for any other application in which the failure of the Celeritek product could create a situation where personal injury or death may occur. Should Buyer purchase or use Celeritek products for any such unintended or unauthorized application, Buyer shall indemnify and hold Celeritek and its officers, employees, subsidiaries, affiliates, and distributors harmless against all claims, costs, damages, and expenses, and reasonable attorney fees arising out of, directly or indirectly, any claim of personal injury or death associated with such unintended or unauthorized use, even if such claim alleges that Celeritek was negligent regarding the design or manufacture of the part. Celeritek is a registered trademark of Celeritek, Inc. Celeritek, Inc. is an Equal Opportunity/Affirmative Action Employer.

**CELERITEK**

[ 28 ]

3236 Scott Boulevard, Santa Clara, California 95054  
Phone: (408) 986-5060 Fax: (408) 986-5095