

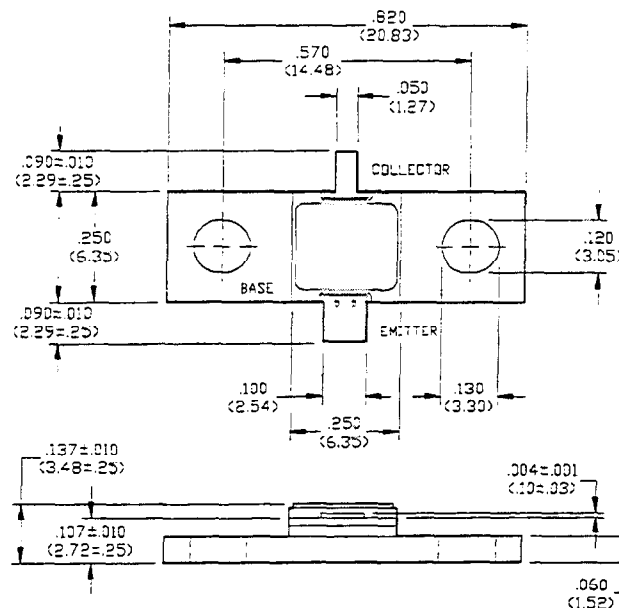
Radar Pulsed Power Transistor, 8W, 100μs Pulse, 10% Duty 1.2 - 1.4 GHz PH1214-8M

Features

- NPN Silicon Microwave Power Transistor
- Common Base Configuration
- Broadband Class C Operation
- Interdigitated Geometry
- Diffused Emitter Ballasting Resistors
- Gold Metalization System
- Internal Input Impedance Matching
- Hermetic Metal/Ceramic Package

Absolute Maximum Ratings at 25°C

Parameter	Symbol	Rating	Units
Collector-Emitter Voltage	V_{CES}	65	V
Emitter-Base Voltage	V_{EBO}	3.0	V
Collector Current (Peak)	I_C	1.5	A
Total Power Dissipation	P_{TOT}	30	W
Junction Temperature	T_J	200	°C
Storage Temperature	T_{STG}	-65 to +200	°C



UNLESS OTHERWISE NOTED, TOLERANCES ARE INCHES = .005" (MILLIMETERS ±.13MM)

Electrical Characteristics at 25°C

Parameter	Symbol	Min	Max	Units	Test Conditions
Collector-Emitter Breakdown Voltage	BV_{CES}	65	-	V	$I_C = 16 \text{ mA}$
Collector-Emitter Leakage Current	I_{CES}	-	2.0	mA	$V_{CE} = 40 \text{ V}$
Thermal Resistance	$R_{TH(JC)}$	-	4.9	°C/W	$V_{CC} = 28 \text{ V}$, $P_{IN} = 1.6 \text{ W}$, $F = 1.20, 1.30, 1.40 \text{ GHz}$
Output Power	P_{OUT}	8.0	-	W	$V_{CC} = 28 \text{ V}$, $P_{IN} = 1.6 \text{ W}$, $F = 1.20, 1.30, 1.40 \text{ GHz}$
Power Gain	G_p	7.0	-	dB	$V_{CC} = 28 \text{ V}$, $P_{IN} = 1.6 \text{ W}$, $F = 1.20, 1.30, 1.40 \text{ GHz}$
Collector Efficiency	η_C	45	-	%	$V_{CC} = 28 \text{ V}$, $P_{IN} = 1.6 \text{ W}$, $F = 1.20, 1.30, 1.40 \text{ GHz}$
Input Return Loss	RL	6	-	dB	$V_{CC} = 28 \text{ V}$, $P_{IN} = 1.6 \text{ W}$, $F = 1.20, 1.30, 1.40 \text{ GHz}$
Load Mismatch Tolerance	VSWR-T	-	3:1	-	$V_{CC} = 28 \text{ V}$, $P_{IN} = 1.6 \text{ W}$, $F = 1.20, 1.30, 1.40 \text{ GHz}$
Load Mismatch Stability	VSWR-S	-	1.5:1	-	$V_{CC} = 28 \text{ V}$, $P_{IN} = 1.6 \text{ W}$, $F = 1.20, 1.30, 1.40 \text{ GHz}$

Broadband Test Fixture Impedances

F(GHz)	$Z_{IF}(\Omega)$	$Z_{OF}(\Omega)$
1.20	TBD	TBD
1.30	TBD	TBD
1.40	TBD	TBD

