



GUARANTEED LOW SKEW 3.3V CMOS CLOCK DRIVER/BUFFER

QS532805/A/B

FEATURES:

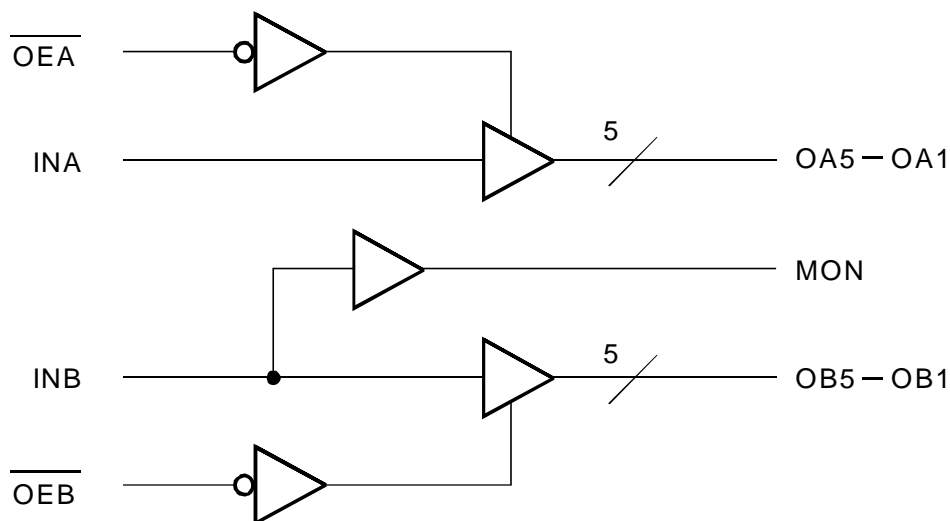
- JEDEC compatible LVTTTL level inputs and outputs
- 10 output, low skew clock signal buffer
- Monitor output
- Clock inputs are 5V tolerant
- Pinout and function compatible with QS5805T
- 25Ω on-chip resistors for low noise
- Input hysteresis for better noise margin
- Guaranteed low skew:
 - 0.7ns output skew
 - 0.7ns pulse skew
 - 1ns part-to-part skew
- Std., A, and B speed grades (B speed in QSOP package only)
- Available in QSOP and SOIC packages

DESCRIPTION

The QS532805 clock buffer/driver circuits can be used for clock buffering schemes where low skew is a key parameter. This device offers two banks of 5 non-inverting outputs. The QS532805 incorporates 25Ω series termination resistors. This clock buffer product is designed for use in high performance workstations, embedded and personal computing systems using 3V to 3.6V supply voltages. Several can be used in parallel or scattered throughout a system for guaranteed low skew, system-wide clock distribution networks. The QS532805 can accept 5V input and control signals.

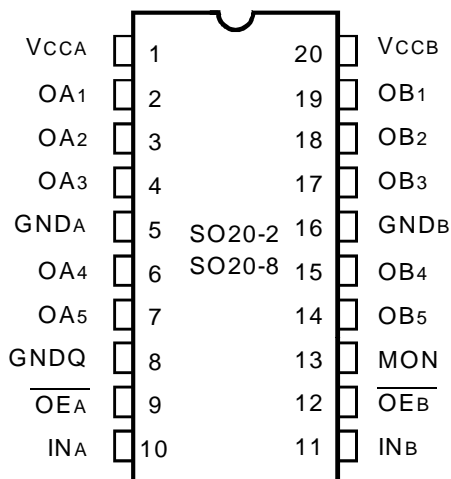
The QS532805 is characterized for operation at -40°C to +85°C.

FUNCTIONAL BLOCK DIAGRAM



NOTE: QS532805 has a 25Ω series termination resistor on each clock output, including monitor.

PIN CONFIGURATION



QSOP/ SOIC
 TOP VIEW

ABSOLUTE MAXIMUM RATINGS ⁽¹⁾

Symbol	Description	Max.	Unit
$V_{TERM}^{(2)}$	Supply Voltage to Ground	- 0.5 to +7	V
	DC Output Voltage V_{OUT}	- 0.5 to $V_{CC}+0.5$	V
$V_{TERM}^{(3)}$	DC Input Voltage V_{IN}	- 0.5 to +7	V
V_{AC}	AC Input Voltage (pulse width $\leq 20ns$)	-3	V
I_{OUT}	DC Output Current $V_{IN} < 0$	-20	mA
	DC Output Current Max. Sink Current/Pin	120	mA
T_{STG}	Storage Temperature	- 65 to +150	°C
T_J	Junction Temperature	150	°C

NOTES:

- Stresses greater than those listed under ABSOLUTE MAXIMUM RATINGS may cause permanent damage to the device. This is a stress rating only and functional operation of the device at these or any other conditions above those indicated in the operational sections of this specification is not implied. Exposure to absolute maximum rating conditions for extended periods may affect reliability.
- Vcc Terminals.
- All terminals except Vcc.

CAPACITANCE

($T_A = +25^\circ C$, $f = 1.0MHz$, $V_{IN} = 0V$, $V_{OUT} = 0V$)

Pins	Typ.	Max. ⁽¹⁾	Unit
C_{IN}	4	6	pF
C_{OUT}	8	10	pF

NOTE:

- This parameter is guaranteed but not production tested.

RECOMMENDED OPERATING CONDITIONS

Symbol	Description	Min.	Max	Unit
V_{CC}	Power Supply Voltage	3	3.6	V
V_{IN}	Input Voltage	0	5.5	V
V_{OUT}	Voltage Applied to Outputs	0	V_{CC}	V
T_A	Ambient Operating Temperature	- 40	85	°C

PIN DESCRIPTION

Pin Names	I/O	Description
\overline{OE}_A , \overline{OE}_B	I	Output Enable
INA, INB	I	Clock Inputs
\overline{OAn} , \overline{OBn}	O	Clock Outputs
\overline{MON}	O	Monitor Outputs (does not 3-state)

DC ELECTRICAL CHARACTERISTICS OVER OPERATING RANGE

Following Conditions Apply Unless Otherwise Specified:

Industrial: $T_A = -40^{\circ}\text{C}$ to $+85^{\circ}\text{C}$, $V_{CC} = 3.3\text{V} \pm 0.3\text{V}$

Symbol	Parameter	Test Conditions	Min.	Typ. ⁽¹⁾	Max.	Unit
V_{IH}	Input HIGH Voltage	Guaranteed Logic HIGH for Inputs	2	—	5.5	V
V_{IL}	Input LOW Voltage	Guaranteed Logic LOW for Inputs	-0.5	—	0.8	V
V_{IC}	Clamp Diode Voltage ⁽³⁾	$V_{CC} = \text{Min.}, I_{IN} = -18\text{mA}$	—	-0.7	-1.2	V
V_{OH}	Output HIGH Voltage	$V_{CC} = \text{Min.}, I_{OH} = -100\mu\text{A}$	$V_{CC} - 0.2$	—	—	V
		$V_{CC} = \text{Min.}, I_{OH} = -8\text{mA}$	2.4	—	—	V
V_{OL}	Output LOW Voltage	$V_{CC} = \text{Min.}, I_{OL} = 100\mu\text{A}$	—	—	0.2	V
		$V_{CC} = \text{Min.}, I_{OL} = 6\text{mA}$	—	—	0.4	V
		$V_{CC} = \text{Min.}, I_{OL} = 8\text{mA}$	—	—	0.5	V
I_{IN}	Input Leakage Current	$V_{CC} = \text{Max.}, V_{IN} = V_{CC}$ or GND	—	—	± 1	μA
I_{OZ}	Output Leakage Current	$V_{CC} = \text{Max.}, V_{OUT} = V_{CC}$ or GND	—	—	± 1	μA
I_{OFF}	Input Power Off Leakage	$V_{CC} = 0\text{V}, V_{IN} = V_{CC}$ or GND	—	—	± 1	μA
I_{ODH}	Output HIGH Current ⁽²⁾	$V_{CC} = 3.3\text{V}, V_{IN} = V_{IH}$ or $V_{IL}, V_O = 1.5\text{V}$	-30	-100	-200	mA
I_{ODL}	Output LOW Current ⁽²⁾	$V_{CC} = 3.3\text{V}, V_{IN} = V_{IH}$ or $V_{IL}, V_O = 1.5\text{V}$	30	100	200	mA
I_{OS}	Short Circuit Current ^(2,3)	$V_{CC} = \text{Max.}, V_{OUT} = \text{GND}$	-60	—	—	mA
R_{OUT}	Output Resistance ⁽⁴⁾	$V_{CC} = \text{Min}$	—	28	—	Ω

NOTES:

- Typical values are at $V_{CC} = 3.3\text{V}, T_A = 25^{\circ}\text{C}$.
- Not more than one output should be used to test this high power condition. Duration is less than one second.
- Guaranteed by design but not tested.
- Output resistance represents the total output impedance of the logic device and includes added series termination resistance.

POWER SUPPLY CHARACTERISTICS

Symbol	Parameter	Test Conditions ⁽¹⁾	Typ. ⁽³⁾	Max.	Unit	
I_{CC}	Quiescent Power Supply Current	$V_{CC} = \text{Max.}, V_{IN} = \text{GND}$ or V_{CC}	0.01	100	μA	
ΔI_{CC}	Supply Current per Input HIGH	$V_{CC} = \text{Max.}, V_{IN} = V_{CC} - 0.6\text{V}, f = 0\text{MHz}$	0.1	30	μA	
I_{CCD}	Dynamic Power Supply Current per Output ⁽²⁾	$V_{CC} = \text{Max.}, \overline{OE_A} = \overline{OE_B} = \text{GND}$ Outputs Toggling at 50% duty cycle	65	100	$\mu\text{A}/\text{MHz}$	
I_C	Total Power Supply Current Examples ^(2,4)	$V_{CC} = \text{Max.}, \overline{OE_A} = \overline{OE_B} = \text{GND}$ 50% duty cycle, $f_i = 10\text{MHz}$ five outputs toggling	$V_{IN} = \text{GND}$ or V_{CC}	3.3	5.2	mA
			$V_{IN} = \text{GND}$ or 3V	3.3	5.2	mA
		$V_{CC} = \text{Max.}, \overline{OE_A} = \overline{OE_B} = \text{GND}$ 50% duty cycle, $f_i = 2.5\text{MHz}$ All outputs toggling	$V_{IN} = \text{GND}$ or V_{CC}	1.8	2.9	mA
			$V_{IN} = \text{GND}$ or 3V	1.8	2.9	mA

NOTES:

- For conditions shown as Min. or Max., use the appropriate values specified under DC Electrical Characteristics.
- Guaranteed by design but not tested. $C_L = 0\text{pF}$.
- Typical values are for reference only. Conditions are $V_{CC} = 3.3\text{V}, T_A = 25^{\circ}\text{C}$.
- $I_C = I_{CC} + (\Delta I_{CC})(D_H)(N_i) + I_{CCD}(f_o)(N_o)$
 where:
 D_H = Input Duty Cycle
 N_i = Number of TTL HIGH inputs at D_H
 f_o = Output Frequency
 N_o = Number of outputs at f_o

SKEW CHARACTERISTICS OVER OPERATING RANGE

T_A = -40°C to +85°C, V_{CC} = 3.3V ± 0.3V

C_{LOAD} = 50pF (no resistor)

Symbol	Parameter ⁽¹⁾	QS532805		QS532805A		QS532805B ⁽³⁾		Unit
		Min.	Max.	Min.	Max.	Min.	Max.	
tsk(01)	Skew between all outputs, same transition, same bank	—	0.7	—	0.7	—	0.7	ns
tsk(02)	Skew between two outputs, same transition, different banks	—	0.9	—	0.9	—	0.9	ns
tsk(P)	Pulse Skew; skew between opposite transitions of the same output (t _{PHL} - t _{PLH})	—	1	—	0.7	—	0.5	ns
tsk(T)	Part-to-part skew ⁽²⁾	—	1.5	—	1	—	1	ns

NOTES:

1. This parameter is guaranteed but not production tested. Skew parameters apply to propagation delays only.
2. tsk(T) only applies to devices of the same transition, part type, temperature, power supply voltage, loading package, and speed grade.
3. The B speed grade is only available in the QSOP package.

SWITCHING CHARACTERISTICS OVER OPERATING RANGE

T_A = -40°C to +85°C, V_{CC} = 3.3V ± 0.3V

C_{LOAD} = 50pF (no resistor)

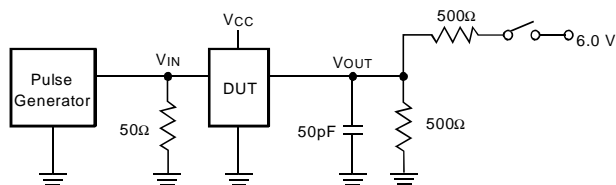
Symbol	Parameter ^(1,2)	QS532805		QS532805A		QS532805B ⁽⁴⁾		Unit
		Min.	Max.	Min.	Max.	Min.	Max.	
t _{PLH} t _{PHL}	Propagation Delay	1.5	6.5	1.5	5.8	1.5	5.2	ns
t _R	Output Rise Time, 0.8V to 2V ⁽³⁾	—	2	—	2	—	2	ns
t _F	Output Fall Time, 2V to 0.8V ⁽³⁾	—	2	—	2	—	2	ns
t _{PZL} t _{PZH}	Output Enable Time	1.5	8	1.5	8	1.5	6.5	ns
t _{PLZ} t _{PZH}	Output Disable Time	1.5	7	1.5	7	1.5	6	ns

NOTES:

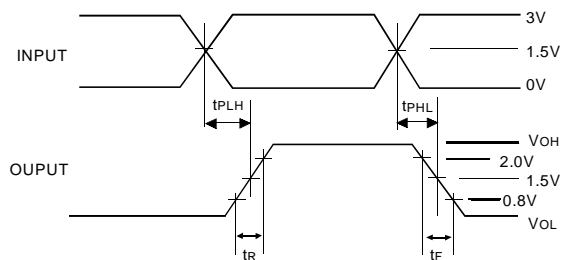
1. Minimums guaranteed but not production tested.
2. The propagation delay other range indicated by Min. and Max. specifications results from process and environmental variables. These propagation delays do not imply limit skew.
3. This parameter is guaranteed but not production tested.
4. The B speed grade is only available in the QSOP package.

TEST CIRCUITS AND WAVEFORMS

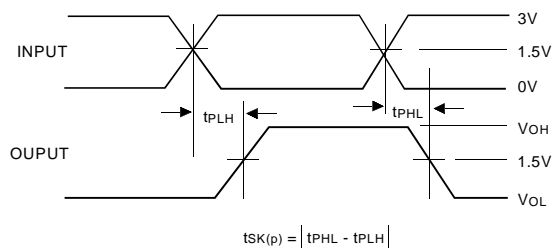
Parameter Tested	Switch Position
tPLZ, tPZL	Closed
All Others	Open



Pulse generator for all pulses: $f \leq 1.0\text{MHz}$; $t_r \leq 2.5\text{ns}$; $t_R \leq 2.5\text{ns}$

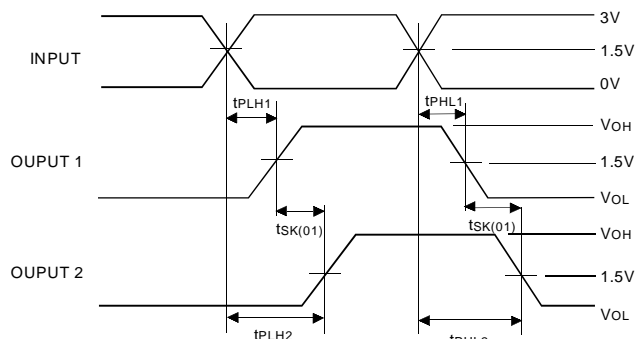


PROPAGATION DELAY



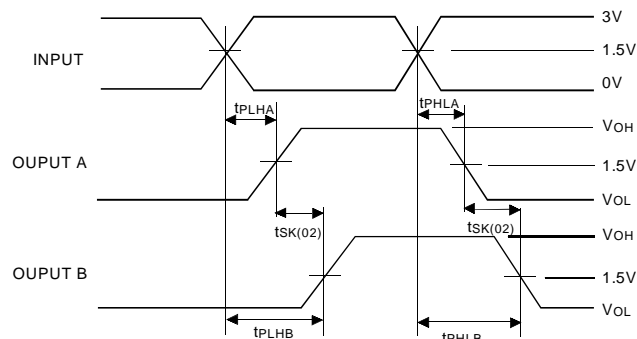
$$t_{SK(p)} = |t_{PHL} - t_{PLH}|$$

PULSE SKEW — tsk(p)



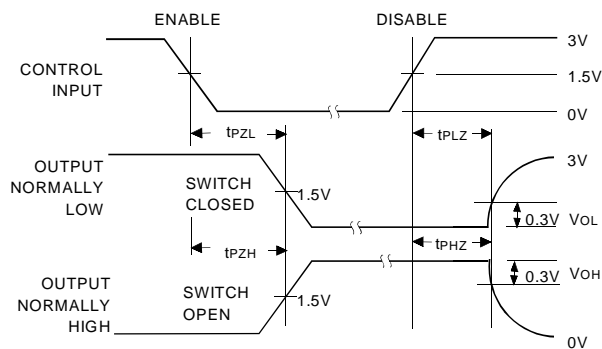
$$t_{SK(01)} = |t_{PLH2} - t_{PLH1}| \text{ or } |t_{PHL2} - t_{PHL1}|$$

OUTPUT SKEW (SAME BANK) — tsk(01)

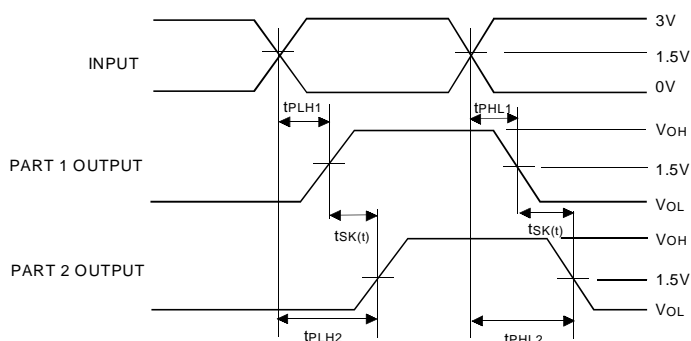


$$t_{SK(02)} = |t_{PLHB} - t_{PLHA}| \text{ or } |t_{PHLB} - t_{PHLA}|$$

OUTPUT SKEW (DIFFERENT BANKS) — tsk(02)



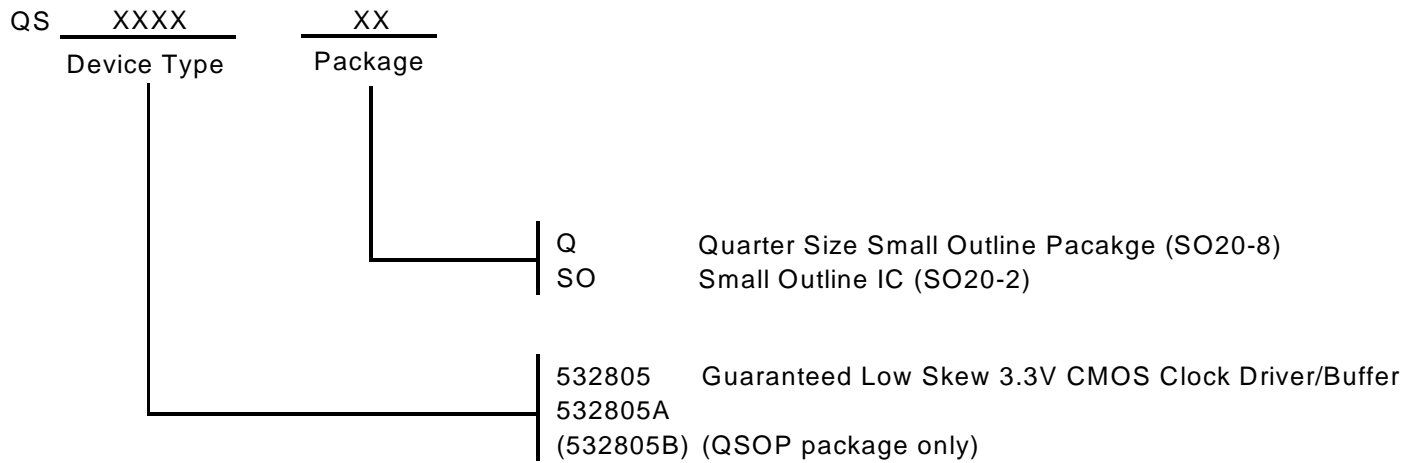
ENABLE AND DISABLE TIMES



$$t_{SK(i)} = |t_{PLH2} - t_{PLH1}| \text{ or } |t_{PHL2} - t_{PHL1}|$$

PART-TO-PART SKEW — tsk(i)

ORDERING INFORMATION



CORPORATE HEADQUARTERS
2975 Stender Way
Santa Clara, CA 95054

for SALES:
800-345-7015 or 408-727-6116
fax: 408-492-8674
www.idt.com*

*To search for sales office near you, please click the sales button found on our home page or dial the 800# above and press 2.
The IDT logo, QuickSwitch, and SynchroSwitch are registered trademarks of Integrated Device Technology, Inc.