

Specification Status: RELEASED

Electrical Rating

Voltage: 16V_{oc} MAX
Current: 100A MAX

INSULATING MATERIAL:

Cured, Flame Retarded Epoxy Polymer
 meets UL94 V-0 Requirements

LEAD MATERIAL:

18 AWG Tin/Lead Plated Copper

PART MARKING:

Raychem Logo and Voltage
 XX 16
 H15 — Part Identification
 □ □ □ □ — Lot Identification (can be on back)

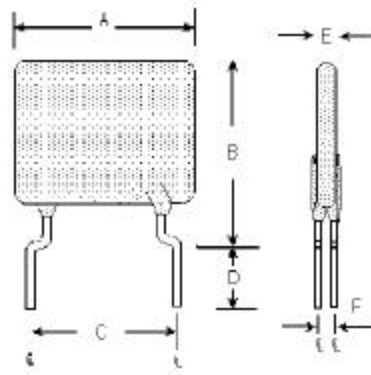


TABLE I. DIMENSIONS:

| | A | | B | | C | | D | | E | | F |
|------|-----|---------|-----|--------|--------|--------|--------|-----|-----|--------|--------|
| | MIN | MAX | MIN | MAX | MIN | MAX | MIN | MAX | MIN | MAX | TYP |
| mm: | - | 23.5 | - | 28.7 | 9.4 | 10.9 | 7.6 | - | - | 3.6 | 1.4 |
| in*: | - | (0.925) | - | (1.13) | (0.37) | (0.43) | (0.30) | - | - | (0.14) | (0.06) |

*Rounded off approximation

TABLE II. PERFORMANCE RATINGS:

| I HOLD | CURRENT RATINGS | | | | TIME TO TRIP | RESISTANCE | | TRIPPED-STATE POWER DISSIPATION |
|--------|-------------------|------------------|-------------------|-------------------|--------------|--------------------------|------------------------|---------------------------------|
| | AMPS AT 25°C HOLD | AMPS AT 0°C HOLD | AMPS AT 25°C TRIP | AMPS AT 60°C TRIP | | SECONDS AT 25°C, 75A MAX | OHMS AT 25°C MIN MAX | |
| 15.0 | - | - | 15.0 | 28.0 | - | - | 0.0032 0.0092 | 7.0 |

Reference Documents:
 Precedence:
 Effectivity:
 CAUTION:

PS300
 This specification takes precedence over documents referenced herein.
 Reference documents shall be the issue in effect on the date of invitation for bid.
 Operation beyond the rated voltage or current may result in rupture, electrical arcing or flame.