

ADSL Magnetics
GlobeSpan ADSL DMT CPE

- Designed to meet UL1950 and IEC950 safety requirements
- Operating temperature range: -40° C to +85° C
- Meets IEC 695, 2-2 flammability requirements
- PWB Process Capability: standard printed wiring board assembly techniques, total-immersion cleaning
- Reliability testing: shock, vibration, temperature cycling, temperature - humidity - bias

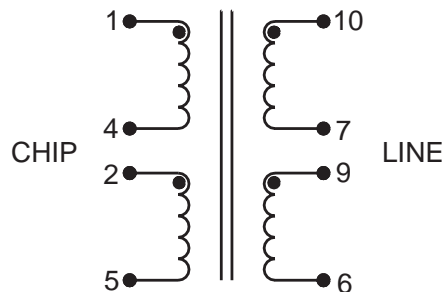
ELECTRICAL SPECIFICATIONS AT 25° C

Part Number	Package	Turns Ratio ¹ ± 2%	Inductance ³ µH	Leakage Inductance ⁶ µH max ⁵	DCR Ω max				Dielectric Rating Vrms
		(1-5) : (10-6) ²	(1-5) ⁴	(1-5) ²	(1-4)	(2-5)	(9-6)	(10-7)	(1-5) & (10-6) ²
S560-6600-A7	SMD	1 : 1	410 - 460	10	0.88	0.88	1	1	1500

1. measured at 20 kHz, 1 Vrms
2. connect terminals 2 to 4 & 7 to 9
3. measured at 10 kHz, 0.1 Vrms
4. connect terminals 2 to 4
5. measured at 100 kHz, 0.1 Vrms
6. short terminals 6, 7, 9, & 10

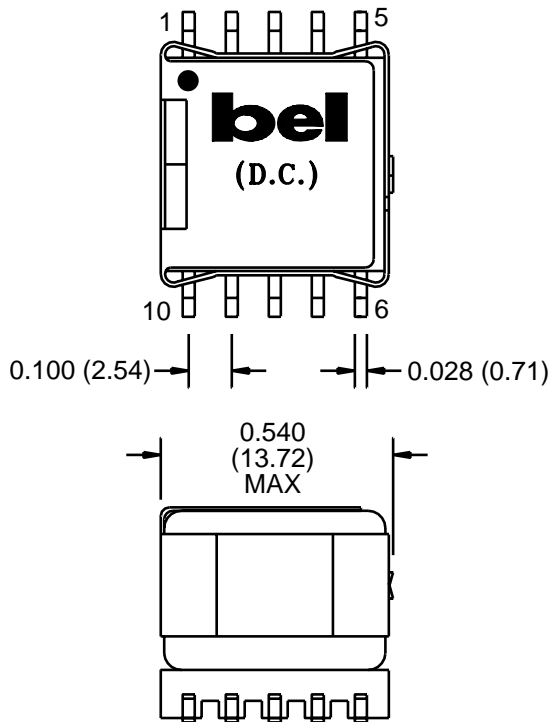
SCHEMATIC

S560-6600-A7

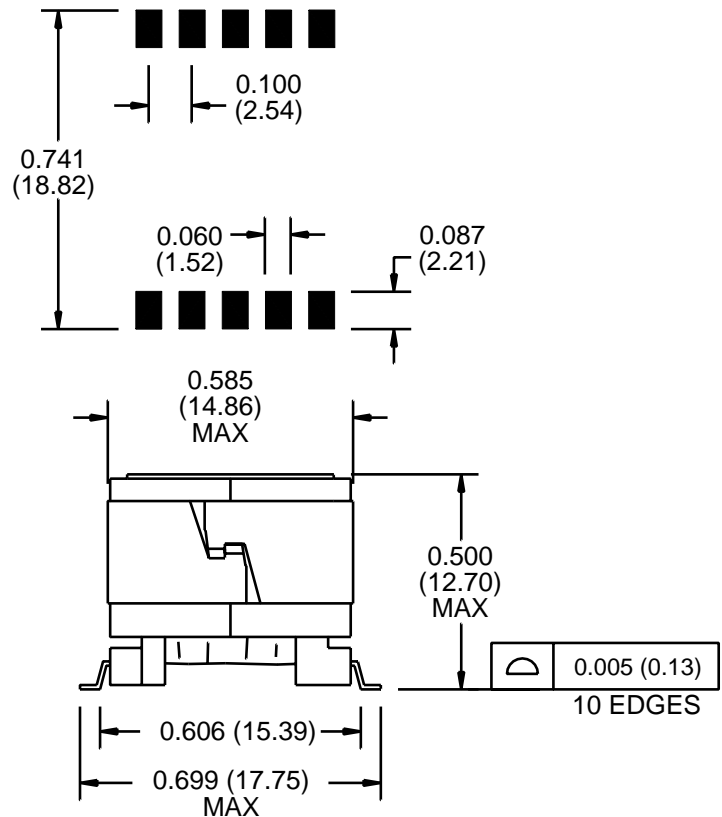


MECHANICAL

S560-6600-A7



SUGGESTED PCB PAD LAYOUT



CORPORATE

Bel Fuse Inc.
 198 Van Vorst Street
 Jersey City, NJ 07302
 Tel 201-432-0463
 Fax 201-432-9542
 www.belfuse.com

FAR EAST

Bel Fuse Ltd.
 8F / 8 Luk Hop Street
 San Po Kong
 Kowloon, Hong Kong
 Tel 852-2328-5515
 Fax 852-2352-3706
 www.belfuse.com

EUROPE

Bel Fuse Europe Ltd.
 Preston Technology Management Centre
 Marsh Lane, Suite G7, Preston
 Lancashire, PR1 8UD, U.K.
 Tel 44-1772-556601
 Fax 44-1772-888366
 www.belfuse.com