

ADSL Magnetics

Level One SK70740/41/42 (LXT 770)

- Designed to comply with the requirements as specified by Level One for HDSL2 and G.SHDSL applications
- Complies with the requirements of IEC 950 for supplementary insulation at 250V
- Operating temperature range: -40° C to +85° C
- Meets IEC 695, 2-2 flammability requirements
- PWB Process Capability: standard printed wiring board assembly techniques, total-immersion cleaning
- Reliability testing: shock, vibration, temperature cycling, temperature - humidity - bias

ELECTRICAL SPECIFICATIONS AT 25° C

Part Number	Package	Turns Ratio	Inductance ² mH ±5%	DCR Ω max		Leakage Inductance μH max	Dielectric Rating Vrms min
		Line : Chip ¹	(5-1) ³	(5-1) ³	(6-9) ⁵	(5-1) ⁴	between (5-1) & (6-9) ¹
S560-6600-L1	SMD	2.3 : 1	2	1.95	0.95	22	1500

1. connect terminals 2 to 4 & 8 to 7

2. measured at 10 kHz, 0.1 Vrms

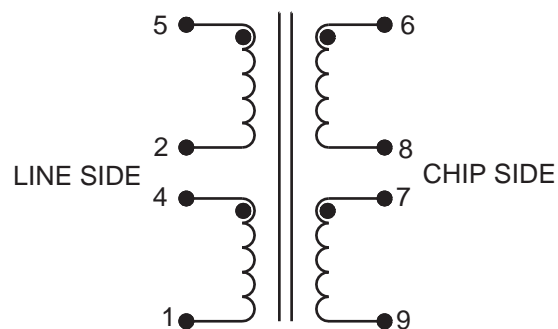
3. connect 2 to 4

4. connect terminals 2 to 4, 8 to 7 & 6 to 9

5. connect 8 to 7

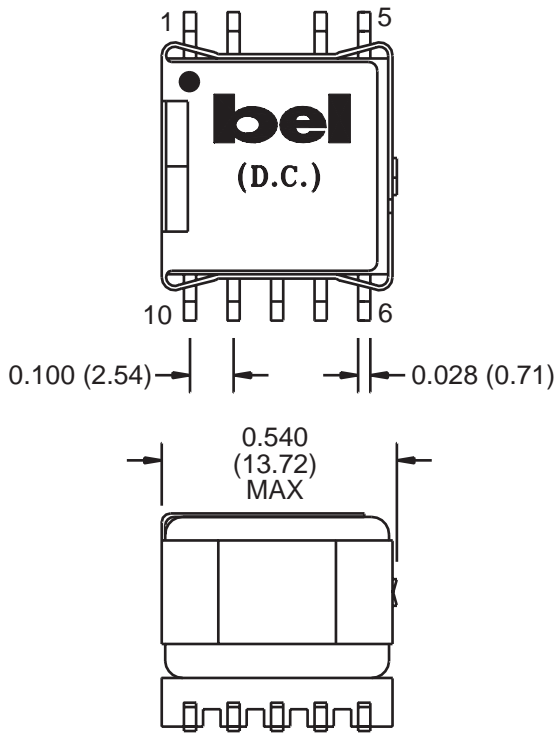
SCHEMATIC

S560-6600-L1

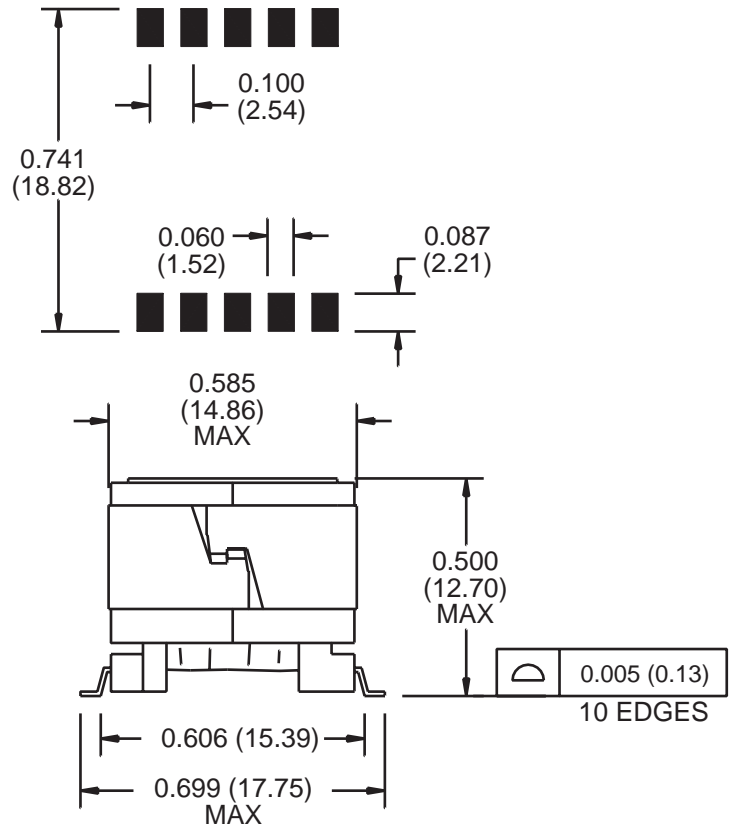


MECHANICAL

S560-6600-L1



SUGGESTED PCB PAD LAYOUT



CORPORATE

Bel Fuse Inc.
 198 Van Vorst Street
 Jersey City, NJ 07302
 Tel 201-432-0463
 Fax 201-432-9542
 www.belfuse.com

FAR EAST

Bel Fuse Ltd.
 8F / 8 Luk Hop Street
 San Po Kong
 Kowloon, Hong Kong
 Tel 852-2328-5515
 Fax 852-2352-3706
 www.belfuse.com

EUROPE

Bel Fuse Europe Ltd.
 Preston Technology Management Centre
 Marsh Lane, Suite G7, Preston
 Lancashire, PR1 8UD, U.K.
 Tel 44-1772-556601
 Fax 44-1772-888366
 www.belfuse.com