

# S6D0114

## *Preliminary*

132 RGB X 176 DOT 1-CHIP DRIVER IC WITH INTERNAL GRAM  
FOR 262,144 Colors TFT-LCD

July 3, 2002

Ver. 0.0

Prepared by: MinSeok Song

[tempest0@samsung.com](mailto:tempest0@samsung.com)

Contents in this document are subject to change without notice. No part of this document may be reproduced or transmitted in any form or by any means, electronic or mechanical, for any purpose, without the express written permission of LCD Driver IC Team.

---

**Preliminary**

<b>S6D0114 Specification Revision History</b>			
<b>Version</b>	<b>Content</b>	<b>Author</b>	<b>Date</b>
0.0	Original	M. S. Song	July 3 , 2002

## **INTRODUCTION**

The S6D0114 is 1-chip solution for TFT-LCD panel: source driver with built-in memory, gate driver, power IC are integrated on one chip. This IC can display to a maximum of 132-RGB x 176-dot graphics on 260k-color TFT panel.

The S6D0114 also supports bit-operation functions, 18-/16-/9-/8-bit high-speed bus interface and high-speed RAM-write functions enable efficient data transfer and high-speed rewriting of data to the internal GRAM.

The moving picture area can be specified in internal GRAM by window function. The specified window area can be updated selectively, so that moving picture is able to be displayed simultaneously independent of still picture area.

The S6D0114 has various functions for reducing the power consumption of a LCD system: operating at low voltage (minimum 1.8V), register-controlled power-save mode, partial display mode and so on. The IC has internal GRAM to store 132-RGB x 176-dot 260k-color image and internal booster that generates the LCD driving voltage, breeder resistance and the voltage follower circuit for LCD driver.

This LSI is suitable for any medium-sized or small portable mobile solution requiring long-term driving capabilities, such as digital cellular phones supporting a web browser, bi-directional pagers, and small PDAs.

**Preliminary**

## FEATURES

**132-RGB x 176-dot TFT-LCD display controller/driver IC for 262,144 colors (396ch-source driver/176ch-gate driver)**

**18-/16-/9-/8-bit high-speed parallel bus interface (80- and 68- system) and serial peripheral interface (SPI)**

**High-speed RAM write function (transfer 4-word at a time)**

**Writing to a window-RAM address area by using a window-address function**

**Bit-operation function for graphic processing**

- Write-data mask functions in bit units
- Logical operation in pixel unit and conditional write function

**Various color-display control functions**

- 262,144 colors can be displayed at the same time (including gamma adjust)
- Vertical scroll display function in raster-row units

**Internal RAM capacity: 132 x 18 x 176 = 418,176 bits**

**Low-power operation supports:**

- Power-save mode: standby mode, sleep mode
- Partial display of two screens in any position
- Maximum 12-time step-up circuit for generating driving voltage
- Voltage followers to decrease direct current flow in the LCD drive breeder-resistors
- Equalizing function for the switching performance of step-up circuits and operational amplifiers

**N-raster row inversion drive (Reverse the polarity of driving voltage in every selected raster row)**

**Internal oscillation circuit and external hardware reset**

**Structure for TFT-display retention volume (Cst/Cadd structure)**

**Alternating functions for TFT-LCD counter-electrode power**

- N-line alternating drive of Vcom (Vgoff is also available for N-line alternating drive for Cadd)

**Internal power supply circuit**

- Step-up circuit: five to nine times, positive-polarity inversion
- Adjustment of Vcom(Vgoff) amplitude: internal 22-level digital potentiometer

**Operating voltage**

- Apply voltage
  - VDD to VSS = 1.8 to 2.5 V (non-regulating) (logic voltage range – non-regulated)
  - VDD3 to VSS = 2.3 to 3.3 V (regulating) (logic voltage range – regulated)
  - Vci to VSS = 2.5 to 3.3 V (internal reference power-supply voltage)
  - Vci1 to VSS = 1.7 to 2.75 V (2.5 x 0.68 ~ 2.75) (power supply for step-up circuits)
- Generate voltage
  - For the source driver: AVDD to VSS = 3.5 to 5.5V (power supply for driving circuits)  
GVDD to VSS = 3.0 to 5.0V (reference power supply for grayscale voltages)
  - For the gate driver: VGH to VGL = 14 to 30 V, VGH to VSS = +7.0 to +20 V,  
VgoffL = (VGL+0.5)V to -7.5V, VgoffH = ~ to -1.5V
  - For the TFT-LCD counter electrode: Vcom amplitude(max) = 6V, VcomH to VSS(max) = GVDD  
VcomL to VSS (max) = 1.0 V to -Vci + 0.5 V

BLOCK DIAGRAM

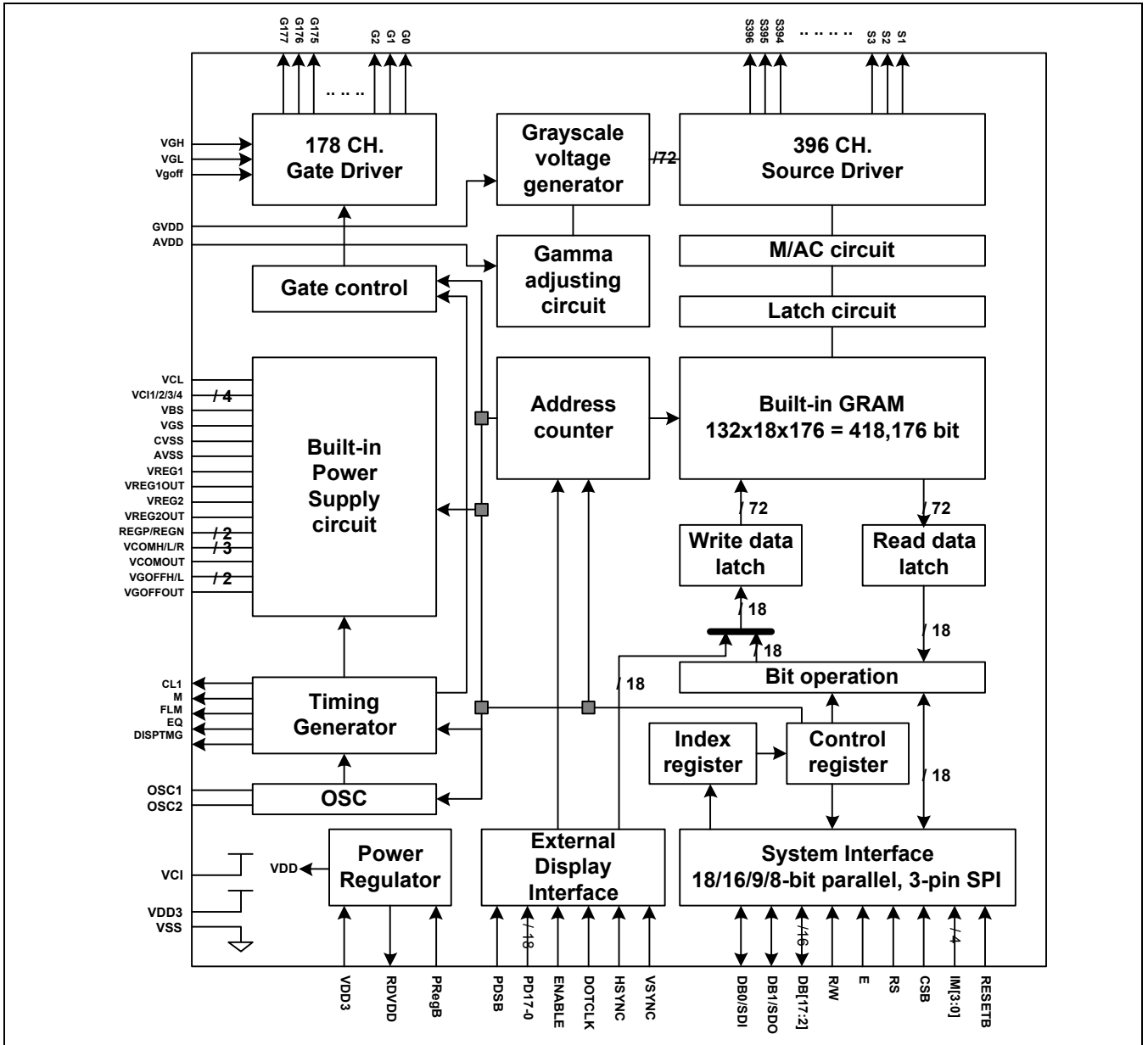


Figure 1. S6D0114 Block Diagram

Preliminary

PAD CONFIGURATION

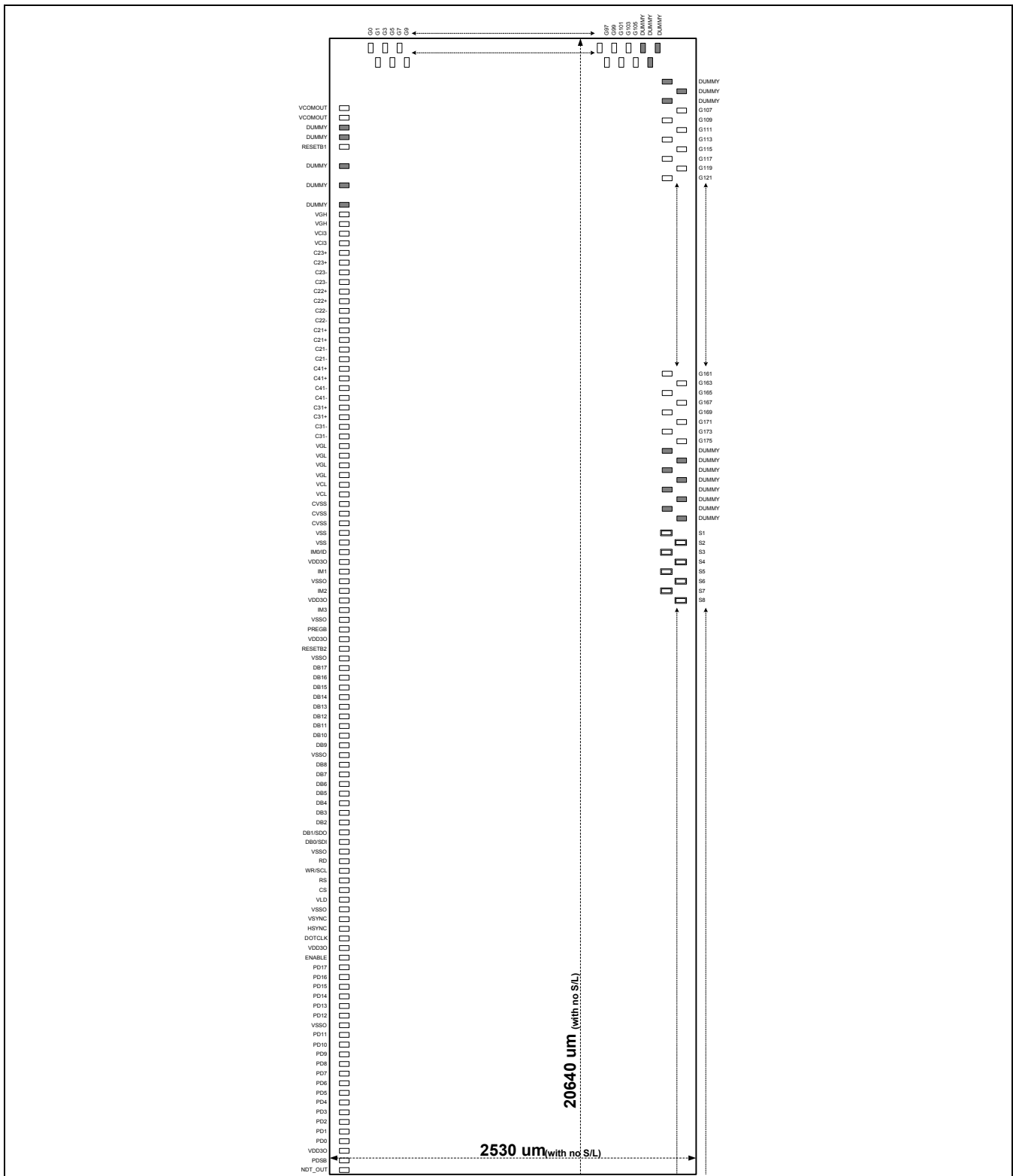


Figure 2. Pad Configuration

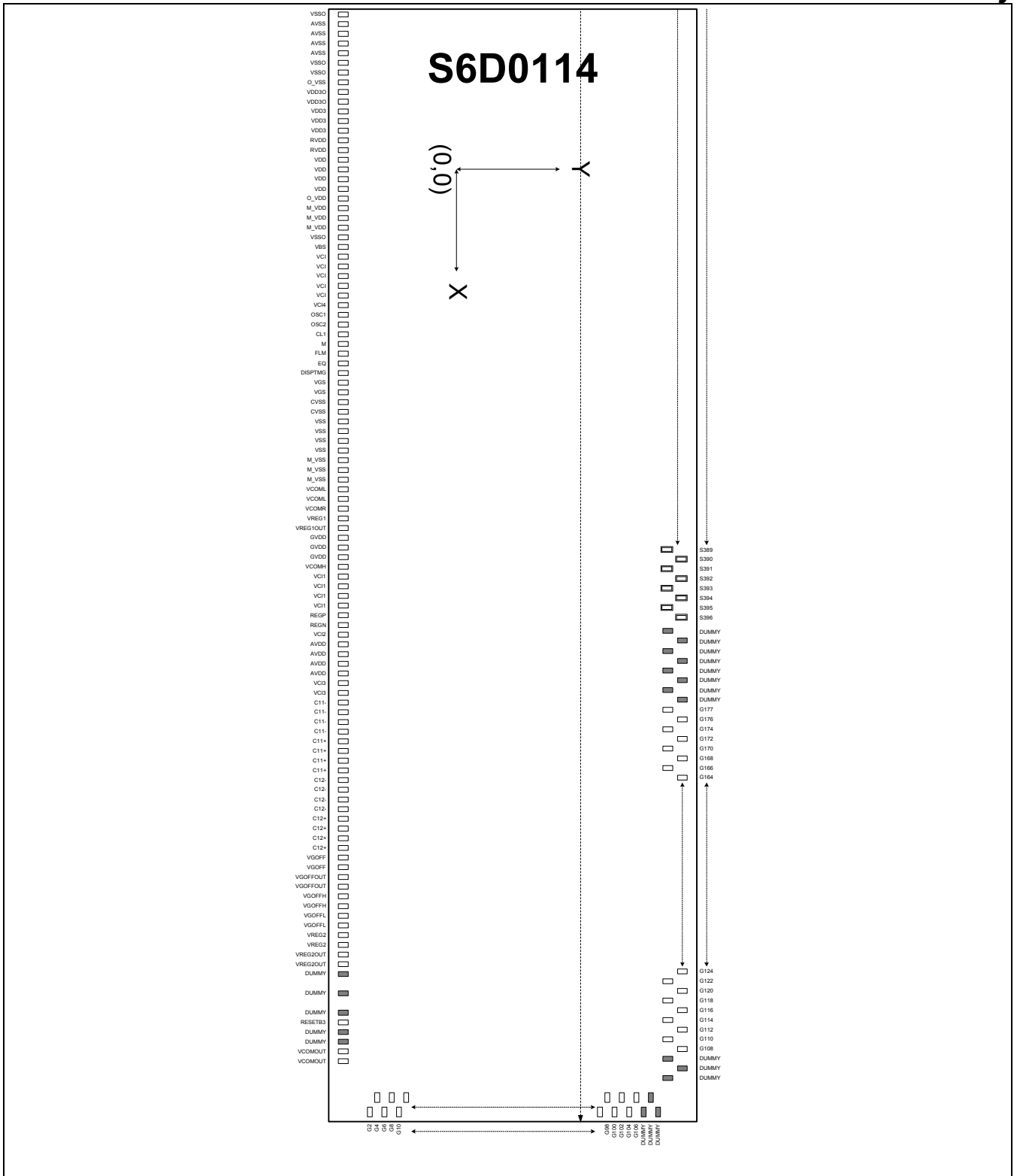


Figure 3. Pad Configuration (continued)

**Preliminary**

Table 1. S6D0114 Pad Dimensions

Items	Pad name.	Size		Unit
		X	Y	
Chip size <sup>1)</sup>	-	20640	2530	um
Pad size	INPUT PAD	54	100	
	OUTPUT PAD	36	70	

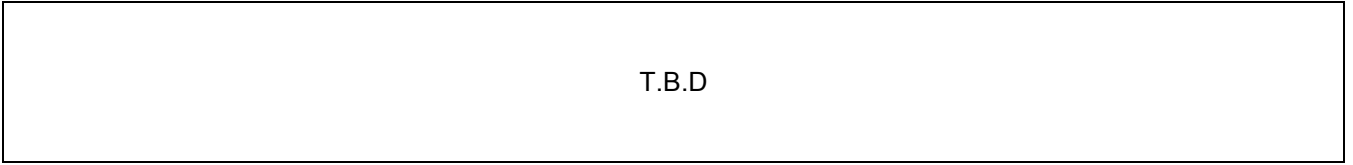
**NOTES:**

Scribe line is not included in this chip size (Scribe line: 120um)



*Preliminary*

**ALIGN KEY CONFIGURATION AND COORDINATE**



**Figure 4. COG and ILB align key**

***Preliminary***



**Figure 5. Bump align key and align key configuration**

*Preliminary*

## PAD CENTER COORDINATES

Table 2. Pad Center Coordinates

[Unit: um]

(T.B.D)



**Preliminary****PIN DESCRIPTION****POWER SUPPLY PIN****Table 3. Power supply pin description**

Symbol	I/O	Description
VDD	I/ Power	System power supply. As S6D0114 has internal regulator, VDD range varies with each mode. Non-regulated mode (PregB = 1) : +1.8 ~ +2.5 V Regulated mode (PregB = 0) : +1.9V
VDD3	I/ Power	System power supply for regulator as external power. (VDD3: +2.5 ~ +3.3 V)
AVDD	O/ Power	A power output pin for source driver block that is generated from power block. Connect a capacitor for stabilization. (AVDD: +3.5 ~ +5.5 V) Interconnect this pin to VCI2 pin.
GVDD	I/ Power	A Standard level for grayscale voltage generator. Connect a capacitor for stabilization. When internal GVDD generator is not used, connect an external power supply, AVDD – 0.5 V
VCI	I/ Power	An internal reference power supply for VREG1OUT/VREG2OUT. Connect VDD when VDD = 2.5 to 3.3 V. Connect a 2.5 to 3.3 V external-voltage power supply when VDD = 1.8 to 2.5 V.
VSS	I/ Power	System ground (0V)
CVSS	I/ Power	System ground level for step up circuit block.
AVSS	I/ Power	System ground level for analog circuit block.
VGS	I/ Power	Reference voltage for gamma voltage generator.
VCI1	Power	A reference voltage in step-up circuit 1. Connect a capacitor for stabilization.
VCI2	Power	A reference voltage in step-up circuit 2.
VCI3	Power	A reference voltage in step-up circuit 3.
VCI4	Power	A reference voltage in step-up circuit 4. Connect VCI, VDD, or external power supply lower than 3.3 V.
VCL	Power	A power supply pin for generating VcomL. When VcomL is higher than VSS, outputs VSS level.

**Table 4. Power supply pin description (continued)**

Symbol	I/O	Description
VBS	I	Reference voltage for step-up circuit <sup>3</sup> .
REGN, REGP	I/O	Input pins for reference voltages of VREG1OUT, and VREG2OUT when the internal reference-voltage generation circuit is not used. Leave these pins open when the internal reference-voltage generation circuit is used.
VREG1OUT	O	This pin outputs a reference voltage for VREG1 between AVDD and VSS. When the internal reference voltage is not used, the reference voltage can be generated from the voltage of REGP. Connect this pin to VREG1 and a capacitor for stabilization. When this pin is not used, leave it open.
VREG2OUT	O	This pin outputs a reference voltage for VREG2 between VSS and VGL. When the internal reference voltage is not used, the reference voltage can be generated from the voltage of REGN. Connect this pin to VREG2 and a capacitor for stabilization. When this pin is not used, leave it open.
VcomOUT	O	A power supply for the TFT-display counter electrode. The alternating cycle can be set by the M pin. Connect this pin to the TFT-display counter electrode. This pin is also used as equalizing function: When EQ = "High" period, all source driver's outputs (S1 to S396) are short to Vcom level (Hi-z). In case of VcomL < 0V, equalizing function must not be used. (Set EQ bit (R07h) to be "00" for preventing the abnormal function.)
VcomR	I	A reference voltage of VcomH. When VcomH is externally adjusted, halt the internal adjuster of VcomH by setting the register and insert a variable resistor between GVDD and VSS. When this pin is not externally adjusted, leave it open and adjust VcomH by setting the internal register.
VcomH	O	This pin indicates a high level of Vcom generated in driving the Vcom alternation. Connect this pin to the capacitor for stabilization.
VcomL	O	When the Vcom alternation is driven, this pin indicates a low level of Vcom. An internal register can be used to adjust the voltage. Connect this pin to a capacitor for stabilization. When the VCOMG bit is low, the VcomL output stops and a capacitor for stabilization is not needed.
VGH	O/ Power	A positive power output pin for gate driver, internal step-up circuits, bias circuits, and operational amplifiers. Connect a capacitor for stabilization. Interconnect this pin to VCI3 pin.
VGL	O/ Power	A Negative power output pin for gate driver, bias circuits, and operational amplifiers. Connect a capacitor for stabilization. When internal VGL generator is not used, connect an external-voltage power supply higher than -15.0 V.

**Preliminary****Table 5. Power supply pin description (continued)**

Symbol	I/O	Description
Vgoff	I	Power supply pin for off level for gate of TFT. Connect VgoffOUT and a capacitor for stabilization. When VgoffOUT is not used, connect an external-voltage power supply higher than -TBD V.
VgoffOUT	O	An power output pin for gate driver. This pin is a negative voltage for the gate off level. Alternation can be synchronized by M pin. Set the internal register according to the structure of the TFT-display retention volume. For the amplitude at the alternation driving, this pin outputs a voltage between VcomH and VcomL with the VgoffL reference voltage..
VgoffH	O	When the Vgoff alternation is driven, this pin indicates a high level of Vgoff. Connect a capacitor for stabilization. When the CAD bit is low, the VgoffH output stops and a capacitor for stabilization is not needed.
VgoffL	O	When the Vgoff alternation is driven, this pin indicates a low level of Vgoff. Connect a capacitor for stabilization. An internal register can be used to adjust the voltage.
C11+,C11- ~ C23+,C23-	-	Connect the step-up capacitor according to the step-up factor.
C31+ , C31-	-	Connect a step-up capacitor for generating the VGL level.
C41+ , C41-	-	Connect a step-up capacitor for generating the -VCL level.

## SYSTEM INTERFACE PIN

Table 6. System interface pin description

Symbol	I/O	Description					
IM3-1, IM0/ID	I	Selects the MPU interface mode:					
		IM3	IM2	IM1	IM0/ID	MPU interface mode	DB PIN assign
		VSS	VSS	VSS	VSS	68-system 16-bit bus interface	DB17-10, DB8-1
		VSS	VSS	VSS	VDD	68-system 8bit bus interface	DB17-10
		VSS	VSS	VDD	VSS	80-system 16bit bus interface	DB17-10, DB8-1
		VSS	VSS	VDD	VDD	80-system 8bit bus interface	DB17-10
		VSS	VDD	VSS	ID	Serial peripheral interface (SPI)	DB1-0
		VSS	VDD	VDD	*	Non-selecting	-
		VDD	VSS	VSS	VSS	68-system 18-bit bus interface	DB17-0
		VDD	VSS	VSS	VDD	68-system 9bit bus interface	DB17-9
		VDD	VSS	VDD	VSS	80-system 18bit bus interface	DB17-0
		VDD	VSS	VDD	VDD	80-system 9bit bus interface	DB17-9
		VDD	VDD	*	*	Non-selecting	-
When a SPI mode is selected, the IM0 pin is used as ID setting bit for a device code.							
CSB	I	Chip select signal input pin. Low: S6D0114 is selected and can be accessed High: S6D0114 is not selected and cannot be accessed Must be fixed at VSS level when not used.					
RS	I	Register select pin. Low: Index/status, High: Control					
E (/WR,SCL)	I	IM2	IM1	Pin func.	MPU type	Pin description	
		VSS	VSS	E	68-system	Read/Write operation enable pin.	
		VSS	VDD	/WR	80-system	Write strobe signal input pin. Data is fetched at the low level.	
VDD	VSS	SCL	serial peripheral interface (SPI)	the synchronous clock signal input pin			
R/W (/RD)	I	IM2	IM1	Pin func.	MPU type	Pin description	
		VSS	VSS	R/W	68-system	Read/Write operation selection pin. Low: Write , High: Read	
		VSS	VDD	/RD	80-system	Read strobe signal input pin. Read out data at the low level.	
When SPI mode is selected, fix this pin at VSS level.							
DB0/SDI	I/O	Bi-directional data bus. 18-bit interface : DB 17-0 16-bit interface : DB 17-10, DB 8-1 9-bit interface : DB 17-9 8-bit interface : DB 17-10 Fix DB0 to the VDD3 or VSS level if the pin is not in use. For a serial peripheral interface (SPI), input data is fetched at the rising edge of the SCL signal.					

**Preliminary****Table 7. System interface pin description (Continued)**

DB1/SDO	I/O	Bi-directional data bus. 18-bit interface : DB 17-0 16-bit interface : DB 17-10, DB 8-1 9-bit interface : DB 17-9 8-bit interface : DB 17-10 Fix DB1 to the VDD3 or VSS level if the pin is not in use. For a serial peripheral interface (SPI), serves as the serial data output pin (SDO). Successive bits are output at the falling edge of the SCL signal.			
DB17-DB2	I/O	Bi-directional data bus. 18-bit interface : DB 17-0 16-bit interface : DB 17-10, DB 8-1 9-bit interface : DB 17-9 8-bit interface : DB 17-10 Fix unused pin to the VDD3 or VSS level.			
VLD	I	Data input valid signal when GRAM is written:			
		CSB	VLD	GRAM write	GRAM address
		0	0	Valid	Update
		0	1	Invalid	Update
		1	*	Invalid	Storage
Fix VLD pin at VSS level if the pin is not used.					
ENABLE	I	Data enable signal pin for RGB interface. High: the IC can be access via RGB interface. Low: the IC cannot be access via RGB interface			
		ENABLE	VLD	GRAM write	GRAM address
		1	0	Valid	Update
		1	1	Invalid	Update
		0	*	Invalid	Storage
Fix ENABLE pin at VDD3 level if the pin is not used.					
VSYNC	I	Synchronous signal of frame. Low: active Fix VSYNC pin at VDD3 level if the pin is not used.			
HSYNC	I	Synchronous signal of line. Low: active Fix HSYNC pin at VDD3 level if the pin is not used.			
DOTCLK	I	Input pin for dot clock.			
PD17-PD0	I	RGB data input bus. 18-bit interface : PD 17-0 16-bit interface : PD 17-13, PD 11-1 6-bit interface : PD 17-12 Fix unused pin to the VDD3 or VSS level.			
PDSB	I	RGB and SYSTEM interface hold DB17-0 pin in common as a data input pin when PDSB pin is "low".			
RESETB1/ RESETB2/ RESETB3	I	Reset pin. Initializes the LSI when low. Must be reset after power-on.			



## DISPLAY PIN

Table 8. Display pin description

Symbol	I/O	Description
S1 - S396	O	Source driver output pins. The SS bit can change the shift direction of the source signal. For example, if SS = 0, gray data of S1 is read from RAM address 0000h. If SS = 1, contents of is RAM address 0000h is out from S396. S1, S4, S7, ... S(3n-1) : display Red (R) (SS = 0) S2, S5, S8, ... S(3n-2) : display Green (G) (SS = 0) S3, S6, S9, ... S(3n) : display Blue (B) (SS = 0)
G1 - G176	O	Gate driver output pins. The output of driving circuit is whether VGH or Vgoff. VGH : gate-ON level Vgoff : gate-OFF level
G0, G177	O	Gate driver output pins for IC maker' stesting. Please, leave it disconnected.
CL1	O	Output pin for raster-row clock pulse.
M	O	Output pin for AC-cycle signal.
FLM	O	Output pin for frame-start pulse.
EQ	O	Output pin for timing for equalizing. Low : Normal display, High : Equalizing
DISPTMG	O	Output pin for Gate off signal. High : Normal output Low : Non-display

## MISCELLANEOUS CONTROL PIN

Table 9. Oscillator and internal power regulator pin description

Symbol	I/O	Description
OSC1/ OSC2	I/O	Connect an external resistor for R-C oscillation. When input the clock from outside, input to OSC1, and open OSC2.
PregB	I	Internal power regulator control input pin. When the internal regulated power (RDVDD) is used as VDD, PregB is fixed to "low" level. When the external logic power(VDD3) is used as VDD, PregB is fixed to "high" level.
RDVDD	O	Internal power regulated-VDD output (typ. 1.8V). When PregB is "low", RDVDD is connected to VDD pin. When PRegB is "high", leave this pin open.

**Preliminary****FUNCTIONAL DESCRIPTION****SYSTEM INTERFACE**

The S6D0114 has five high-speed system interfaces: an 80-system 18-/16-/9-/8-bit bus, a 68-system 18-/16-/9-/8-bit bus, and a serial interface (SPI: Serial Peripheral Interface). The IM3-0 pins select the interface mode.

The S6D0114 has three 18-bit registers: an index register (IR), a write data register (WDR), and a read data register (RDR). The IR stores index information for control register and GRAM. The WDR temporarily stores data to be written into control register and GRAM. The RDR temporarily stores data read from GRAM. Data written into the GRAM from MPU is initially written to the WDR and then written to the GRAM automatically. Data is read through the RDR when reading from the GRAM, and the first read data is invalid and the second and the following data are valid. When a logic operation is performed inside of the S6D0114 by using the display data stored in the GRAM and the data written from the MPU, the data read through the RDR is used. Accordingly, the MPU does not need to read data twice or to fetch the read data into the MPU. This enables high-speed processing.

Execution time for instruction, except oscillation start, is 0-clock cycle so that instructions can be written in succession.

**Table 10. Register Selection (18-/16-/9-/8- Parallel Interface)**

SYSTEM	R/W /WR	E /RD	RS	Operations
68	0	1	0	Write index to IR
	1	1	0	Read internal status
	0	1	1	Write to control register and GRAM through WDR
	1	1	1	Read from GRAM through RDR
80	0	1	0	Write index to IR
	1	0	0	Read internal status
	0	1	1	Write to control register and GRAM through WDR
	1	0	1	Read from GRAM through RDR

**Table 11. CSB/VLD signal (GRAM update control)**

CSB	VLD	Operation
0	0	Data is written to GRAM, GRAM address is updated
1	0	Data is not written to GRAM, GRAM address is not updated
0	1	Data is not written to GRAM, GRAM address is updated
1	1	Data is not written to GRAM, GRAM address is not updated

**Table 12. Register Selection (Serial Peripheral Interface)**

R/W bit	RS bit	Operation
0	0	Write index to IR
1	0	Read internal status
0	1	Write data to control register and GRAM through WDR
1	1	Read data from GRAM through RDR

## **EXTERNAL INTERFACE (RGB-I/F, VSYNC-I/F)**

The S6D0114 incorporates RGB and VSYNC interface as external interface for motion picture display. When the RGB interface is selected, the synchronization signals (VSYNC, HSYNC, and DOTCLK) are available for display. The RGB data for display (PD17-0) are written according to enable signal (ENABLE) and data valid signal (VLD) in synchronization with VSYNC, HSYNC, and DOTCLK signal. This allows flicker-free updating of the screen. When the VSYNC interface is selected, internal operation is normally synchronized with internal clock except operation related to frame synchronization: It is synchronized with the VSYNC signal. The data for display are written to GRAM via conventional system interface. There are some limitations on the timing and methods for writing to GRAM in VSYNC interface. See the section on the external display interface.

## **BIT OPERATION**

The S6D0114 supports the following functions: a write data mask function that selects and writes data to GRAM in bit unit, a logic operation function that performs logic operations or conditional determination on the display data set in GRAM and writes to GRAM. These functions can greatly reduce the processing loads of the MPU graphics software and can rewrite the display data in the GRAM at high speed. For details, see the Graphics Operation Function section.

## **ADDRESS COUNTER (AC)**

The address counter (AC) assign address to GRAM. When an address-set-instruction is written to the IR, the address information is sent from IR to AC. After writing to the GRAM, the address value of AC is automatically increased/decreased by 1 according to ID1-0 bit of control register. After reading data from GRAM, the AC is not updated. A window address function allows data to be written only to a window area specified by GRAM.

## **GRAPHICS RAM (GRAM)**

The graphics RAM (GRAM) has 18-bits/pixel and stores the bit-pattern data for 132-RGB x 176-dot display.

## **GRAYSCALE VOLTAGE GENERATOR**

The grayscale voltage circuit generates a certain voltage level that is specified by the grayscale  $\gamma$ -adjusting resistor for LCD driver circuit. By use of the generator, 262,144 colors can be displayed at the same time. For details, see the  $\gamma$ -adjusting resistor section.

## **TIMING GENERATOR**

The timing generator generates timing signals for the operation of internal circuits such as GRAM. The GRAM read timing for display and the internal operation timing for MPU access is generated separately to avoid interference with one another. Several important timing signals can be monitored via signal monitoring pin (M, FLM, CL1, EQ, DISPTMG).

## **OSCILLATION CIRCUIT (OSC)**

The S6D0114 can provide R-C oscillation simply through the addition of an external oscillation-resistor between the OSC1 and OSC2 pin. The appropriate oscillation frequency for operating voltage, display size, and frame frequency

**Preliminary**

can be obtained by adjusting the external-resistor value. Clock pulse can also be supplied externally. Since R-C oscillation stops during the standby mode, current consumption can be reduced. For details, see the Oscillation Circuit section.

**SOURCE DRIVER CIRCUIT**

The liquid crystal display source driver circuit consists of 396 drivers (S1 to S396). Display pattern data is latched when 396-bit data has arrived. The latched data then enables the source drivers to generate drive waveform outputs. The SS bit can change the shift direction of 396-bit data by selecting an appropriate direction for the device-mounted configuration.

**GATE DRIVER CIRCUIT**

The liquid crystal display gate driver circuit consists of 178 gate drivers (G0 to G177). The VGH or Vgoff level is output by the signal from the gate control circuit. G0 and G177 are IC maker' s test pins.

**SYSTEM/RGB INTERFACE AND GRAM ADDRESS SETTING**

**GRAM ADDRESS SETTING (SS="0")**

When SS bit is 0 (source output shift direction: right) and BGR bit is 0 (RGB sequence: right) that can be set in R01h register, GRAM address is set as follows:

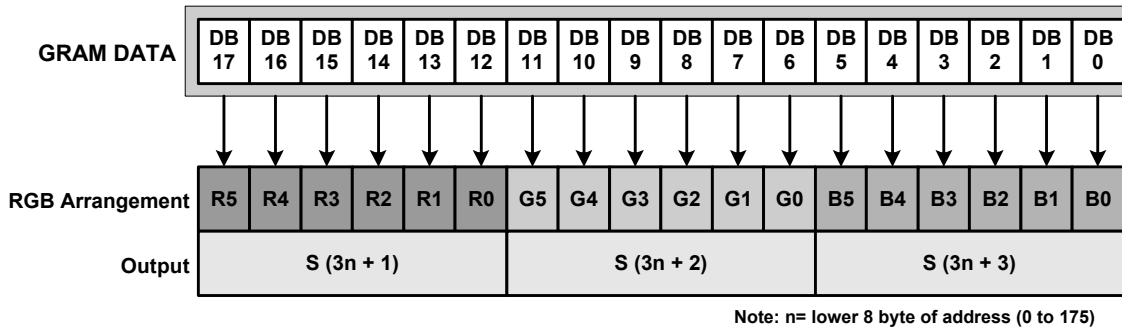
**Table 13. GRAM address (SS="0")**

S/G Output		S1	S2	S3	S4	S5	S6	S7	S8	S9	S10	S11	S12	.....	S385	S386	S387	S388	S389	S390	S391	S392	S393	S394	S395	S396
GS=0	GS=1	DB 18	DB 0	DB 18	DB 0	DB 18	DB 0	DB 18	DB 0	DB 18	DB 0	DB 18	DB 0	DB 18	DB 18	DB 0	DB 18	DB 18	DB 0	DB 18	DB 0	DB 18	DB 0	DB 18	DB 0	DB 18
G1	G176	"0000"	"H"	"0001"	"H"	"0002"	"H"	"0003"	"H"	.....	"0080"	"H"	"0081"	"H"	"0082"	"H"	"0083"	"H"								
G2	G175	"0100"	"H"	"0101"	"H"	"0102"	"H"	"0103"	"H"	.....	"0180"	"H"	"0181"	"H"	"0182"	"H"	"0183"	"H"								
G3	G174	"0200"	"H"	"0201"	"H"	"0202"	"H"	"0203"	"H"	.....	"0280"	"H"	"0281"	"H"	"0282"	"H"	"0283"	"H"								
G4	G173	"0300"	"H"	"0301"	"H"	"0302"	"H"	"0303"	"H"	.....	"0380"	"H"	"0381"	"H"	"0382"	"H"	"0383"	"H"								
G5	G172	"0400"	"H"	"0401"	"H"	"0402"	"H"	"0403"	"H"	.....	"0480"	"H"	"0481"	"H"	"0482"	"H"	"0483"	"H"								
G6	G171	"0500"	"H"	"0501"	"H"	"0502"	"H"	"0503"	"H"	.....	"0580"	"H"	"0581"	"H"	"0582"	"H"	"0583"	"H"								
G7	G170	"0600"	"H"	"0601"	"H"	"0602"	"H"	"0603"	"H"	.....	"0680"	"H"	"0681"	"H"	"0682"	"H"	"0683"	"H"								
G8	G169	"0700"	"H"	"0701"	"H"	"0702"	"H"	"0703"	"H"	.....	"0780"	"H"	"0781"	"H"	"0782"	"H"	"0783"	"H"								
G9	G168	"0800"	"H"	"0801"	"H"	"0802"	"H"	"0803"	"H"	.....	"0880"	"H"	"0881"	"H"	"0882"	"H"	"0883"	"H"								
G10	G167	"0900"	"H"	"0901"	"H"	"0902"	"H"	"0903"	"H"	.....	"0980"	"H"	"0981"	"H"	"0982"	"H"	"0983"	"H"								
G11	G166	"0A00"	"H"	"0A01"	"H"	"0A02"	"H"	"0A03"	"H"	.....	"0A80"	"H"	"0A81"	"H"	"0A82"	"H"	"0A83"	"H"								
G12	G165	"0B00"	"H"	"0B01"	"H"	"0B02"	"H"	"0B03"	"H"	.....	"0B80"	"H"	"0B81"	"H"	"0B82"	"H"	"0B83"	"H"								
G13	G164	"0C00"	"H"	"0C01"	"H"	"0C02"	"H"	"0C03"	"H"	.....	"0C80"	"H"	"0C81"	"H"	"0C82"	"H"	"0C83"	"H"								
G14	G163	"0D00"	"H"	"0D01"	"H"	"0D02"	"H"	"0D03"	"H"	.....	"0D80"	"H"	"0D81"	"H"	"0D82"	"H"	"0D83"	"H"								
G15	G162	"0E00"	"H"	"0E01"	"H"	"0E02"	"H"	"0E03"	"H"	.....	"0E80"	"H"	"0E81"	"H"	"0E82"	"H"	"0E83"	"H"								
G16	G161	"0F00"	"H"	"0F01"	"H"	"0F02"	"H"	"0F03"	"H"	.....	"0F80"	"H"	"0F81"	"H"	"0F82"	"H"	"0F83"	"H"								
G17	G160	"1000"	"H"	"1001"	"H"	"1002"	"H"	"1003"	"H"	.....	"1080"	"H"	"1081"	"H"	"1082"	"H"	"1083"	"H"								
G18	G159	"1100"	"H"	"1101"	"H"	"1102"	"H"	"1103"	"H"	.....	"1180"	"H"	"1181"	"H"	"1182"	"H"	"1183"	"H"								
G19	G158	"1200"	"H"	"1201"	"H"	"1202"	"H"	"1203"	"H"	.....	"1280"	"H"	"1281"	"H"	"1282"	"H"	"1283"	"H"								
G20	G157	"1300"	"H"	"1301"	"H"	"1302"	"H"	"1303"	"H"	.....	"1380"	"H"	"1381"	"H"	"1382"	"H"	"1383"	"H"								
⋮	⋮	⋮	⋮	⋮	⋮	⋮	⋮	⋮	⋮	⋮	⋮	⋮	⋮	⋮	⋮	⋮	⋮	⋮								
G169	G168	"A800"	"H"	"A801"	"H"	"A802"	"H"	"A803"	"H"	.....	"A880"	"H"	"A881"	"H"	"A882"	"H"	"A883"	"H"								
G170	G167	"A900"	"H"	"A901"	"H"	"A902"	"H"	"A903"	"H"	.....	"A980"	"H"	"A981"	"H"	"A982"	"H"	"A983"	"H"								
G171	G166	"AA00"	"H"	"AA01"	"H"	"AA02"	"H"	"AA03"	"H"	.....	"AA80"	"H"	"AA81"	"H"	"AA82"	"H"	"AA83"	"H"								
G172	G165	"AB00"	"H"	"AB01"	"H"	"AB02"	"H"	"AB03"	"H"	.....	"AB80"	"H"	"AB81"	"H"	"AB82"	"H"	"AB83"	"H"								
G173	G164	"AC00"	"H"	"AC01"	"H"	"AC02"	"H"	"AC03"	"H"	.....	"AC80"	"H"	"AC81"	"H"	"AC82"	"H"	"AC83"	"H"								
G174	G163	"AD00"	"H"	"AD01"	"H"	"AD02"	"H"	"AD03"	"H"	.....	"AD80"	"H"	"AD81"	"H"	"AD82"	"H"	"AD83"	"H"								
G175	G162	"AE00"	"H"	"AE01"	"H"	"AE02"	"H"	"AE03"	"H"	.....	"AE80"	"H"	"AE81"	"H"	"AE82"	"H"	"AE83"	"H"								
G176	G161	"AF00"	"H"	"AF01"	"H"	"AF02"	"H"	"AF03"	"H"	.....	"AF80"	"H"	"AF81"	"H"	"AF82"	"H"	"AF83"	"H"								

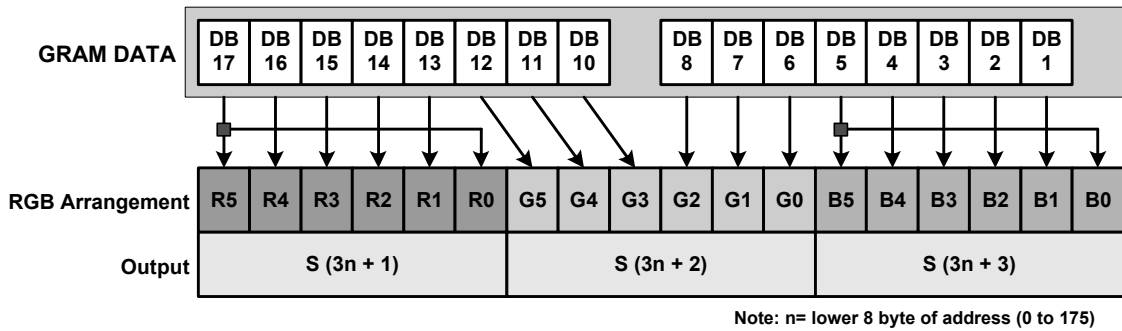
Data fetch from GRAM for display when SS=0 is shown in the following figure.

**SYSTEM INTERFACE**

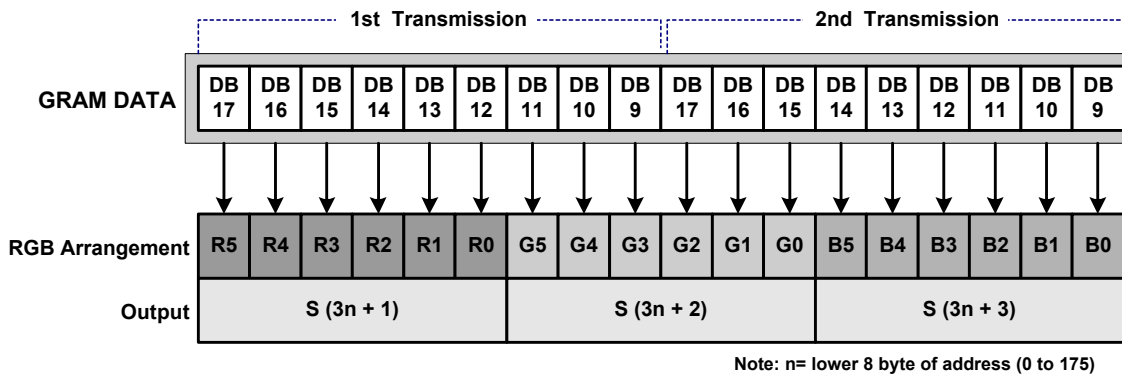
**80-system 18-bit interface**



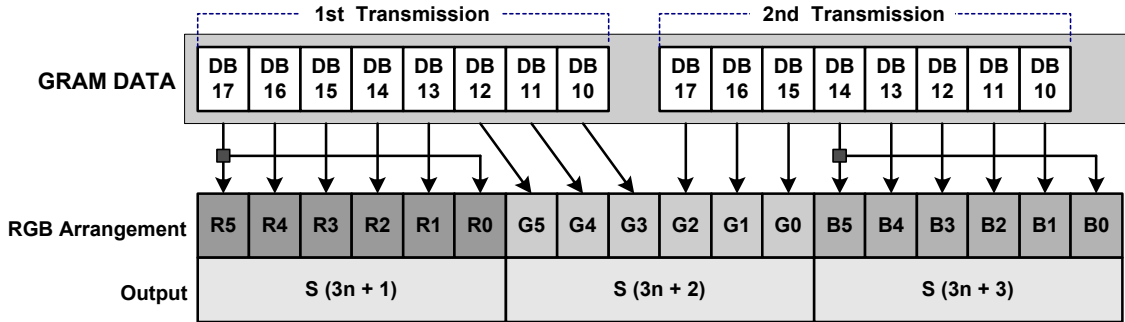
**80-system 16-bit interface**



**80-system 9-bit interface**



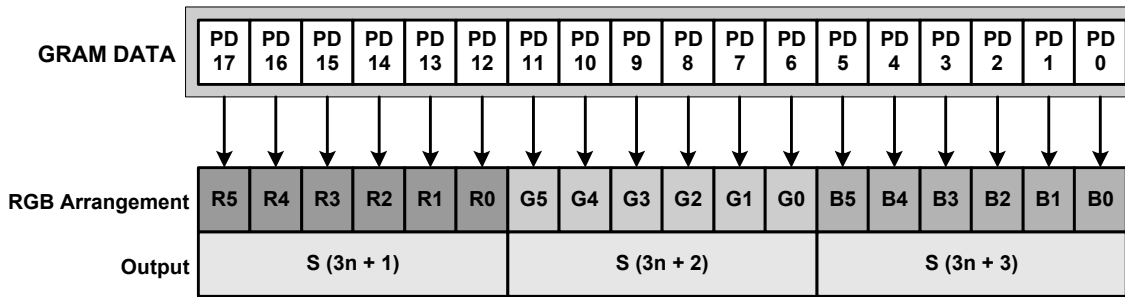
80-system 8-bit interface/SPI



Note: n= lower 8 byte of address (0 to 175)

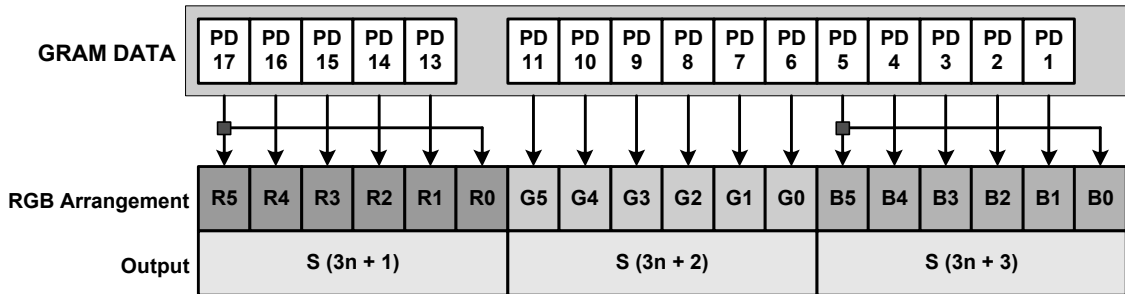
RGB INTERFACE

18-bit RGB interface



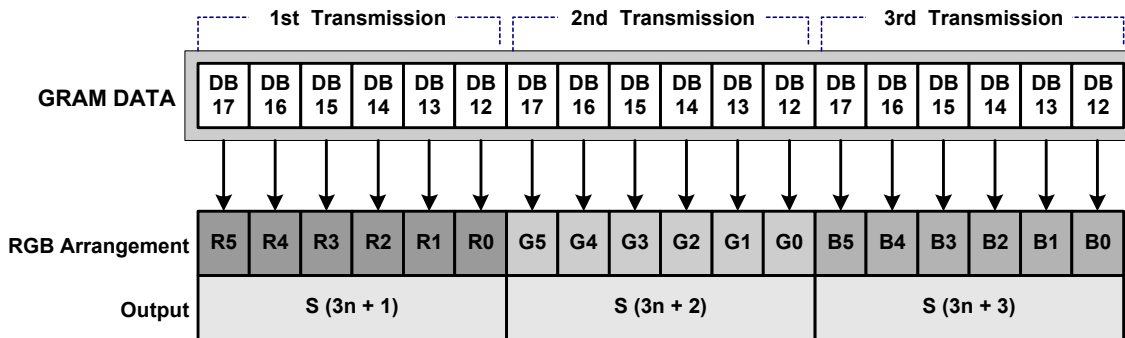
Note: n= lower 8 byte of address (0 to 175)

16-bit RGB interface



Note: n= lower 8 byte of address (0 to 175)

6-bit RGB interface



Note: n= lower 8 byte of address (0 to 175)

*Preliminary*

**GRAM ADDRESS SETTING (SS="1")**

When SS bit is 1 (source output shift direction: reversed) and BGR bit is 1 (RGB sequence: reversed) that can be set in R01h register, GRAM address is set as follows:

**Table 14. GRAM address (SS="1")**

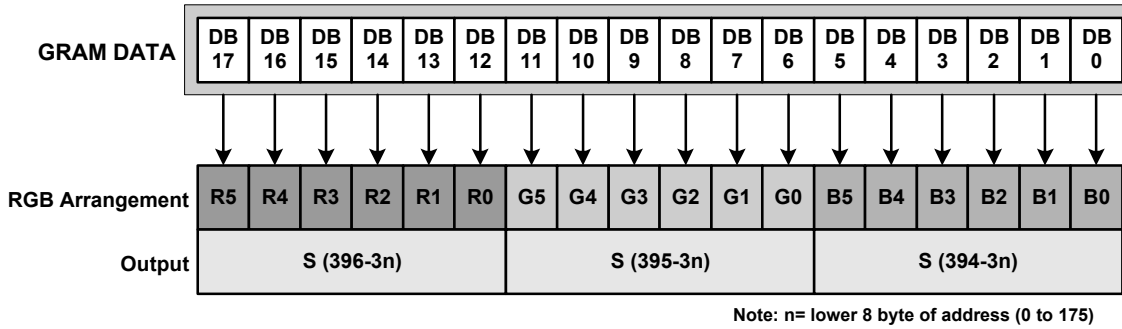
S/G Output		S1	S2	S3	S4	S5	S6	S7	S8	S9	S10	S11	S12	.....	S385	S386	S387	S388	S389	S390	S391	S392	S393	S394	S395	S396
GS=0	GS=1	DB 18	.....	DB 0	DB 18	.....	DB 0	DB 18	.....	DB 0	DB 18	.....	DB 0		DB 18	.....	DB 0	DB 18	.....	DB 0	DB 18	.....	DB 0	DB 18	.....	DB 0
G1	G176	"0083"	H	"0082"	H	"0081"	H	"0080"	H	.....	"0003"	H	"0002"	H	"0001"	H	"0000"	H								
G2	G175	"0183"	H	"0182"	H	"0181"	H	"0180"	H	.....	"0103"	H	"0102"	H	"0101"	H	"0100"	H								
G3	G174	"0283"	H	"0282"	H	"0281"	H	"0280"	H	.....	"0203"	H	"0202"	H	"0201"	H	"0200"	H								
G4	G173	"0383"	H	"0382"	H	"0381"	H	"0380"	H	.....	"0303"	H	"0302"	H	"0301"	H	"0300"	H								
G5	G172	"0483"	H	"0482"	H	"0481"	H	"0480"	H	.....	"0403"	H	"0402"	H	"0401"	H	"0400"	H								
G6	G171	"0583"	H	"0582"	H	"0581"	H	"0580"	H	.....	"0503"	H	"0502"	H	"0501"	H	"0500"	H								
G7	G170	"0683"	H	"0682"	H	"0681"	H	"0680"	H	.....	"0603"	H	"0602"	H	"0601"	H	"0600"	H								
G8	G169	"0783"	H	"0782"	H	"0781"	H	"0780"	H	.....	"0703"	H	"0702"	H	"0701"	H	"0700"	H								
G9	G168	"0883"	H	"0882"	H	"0881"	H	"0880"	H	.....	"0803"	H	"0802"	H	"0801"	H	"0800"	H								
G10	G167	"0983"	H	"0982"	H	"0981"	H	"0980"	H	.....	"0903"	H	"0902"	H	"0901"	H	"0900"	H								
G11	G166	"0A83"	H	"0A82"	H	"0A81"	H	"0A80"	H	.....	"0A03"	H	"0A02"	H	"0A01"	H	"0A00"	H								
G12	G165	"0B83"	H	"0B82"	H	"0B81"	H	"0B80"	H	.....	"0B03"	H	"0B02"	H	"0B01"	H	"0B00"	H								
G13	G164	"0C83"	H	"0C82"	H	"0C81"	H	"0C80"	H	.....	"0C03"	H	"0C02"	H	"0C01"	H	"0C00"	H								
G14	G163	"0D83"	H	"0D82"	H	"0D81"	H	"0D80"	H	.....	"0D03"	H	"0D02"	H	"0D01"	H	"0D00"	H								
G15	G162	"0E83"	H	"0E82"	H	"0E81"	H	"0E80"	H	.....	"0E03"	H	"0E02"	H	"0E01"	H	"0E00"	H								
G16	G161	"0F83"	H	"0F82"	H	"0F81"	H	"0F80"	H	.....	"0F03"	H	"0F02"	H	"0F01"	H	"0F00"	H								
G17	G160	"1083"	H	"1082"	H	"1081"	H	"1080"	H	.....	"1003"	H	"1002"	H	"1001"	H	"1000"	H								
G18	G159	"1183"	H	"1182"	H	"1181"	H	"1180"	H	.....	"1103"	H	"1102"	H	"1101"	H	"1100"	H								
G19	G158	"1283"	H	"1282"	H	"1281"	H	"1280"	H	.....	"1203"	H	"1202"	H	"1201"	H	"1200"	H								
G20	G157	"1383"	H	"1382"	H	"1381"	H	"1380"	H	.....	"1303"	H	"1302"	H	"1301"	H	"1300"	H								
⋮	⋮	⋮	⋮	⋮	⋮	⋮	⋮	⋮	⋮	⋮	⋮	⋮	⋮	⋮	⋮	⋮	⋮	⋮	⋮	⋮	⋮	⋮	⋮	⋮	⋮	
G169	G168	"A883"	H	"A880"	H	"A881"	H	"A880"	H	.....	"A803"	H	"A802"	H	"A801"	H	"A800"	H								
G170	G167	"A983"	H	"A980"	H	"A981"	H	"A980"	H	.....	"A903"	H	"A902"	H	"A901"	H	"A900"	H								
G171	G166	"AA83"	H	"AA80"	H	"AA81"	H	"AA80"	H	.....	"AA03"	H	"AA02"	H	"AA01"	H	"AA00"	H								
G172	G165	"AB83"	H	"AB80"	H	"AB81"	H	"AB80"	H	.....	"AB03"	H	"AB02"	H	"AB01"	H	"AB00"	H								
G173	G164	"AC83"	H	"AC80"	H	"AC81"	H	"AC80"	H	.....	"AC03"	H	"AC02"	H	"AC01"	H	"AC00"	H								
G174	G163	"AD83"	H	"AD80"	H	"AD81"	H	"AD80"	H	.....	"AD03"	H	"AD02"	H	"AD01"	H	"AD00"	H								
G175	G162	"AE83"	H	"AE80"	H	"AE81"	H	"AE80"	H	.....	"AE03"	H	"AE02"	H	"AE01"	H	"AE00"	H								
G176	G161	"AF83"	H	"AF80"	H	"AF81"	H	"AF80"	H	.....	"AF03"	H	"AF02"	H	"AF01"	H	"AF00"	H								



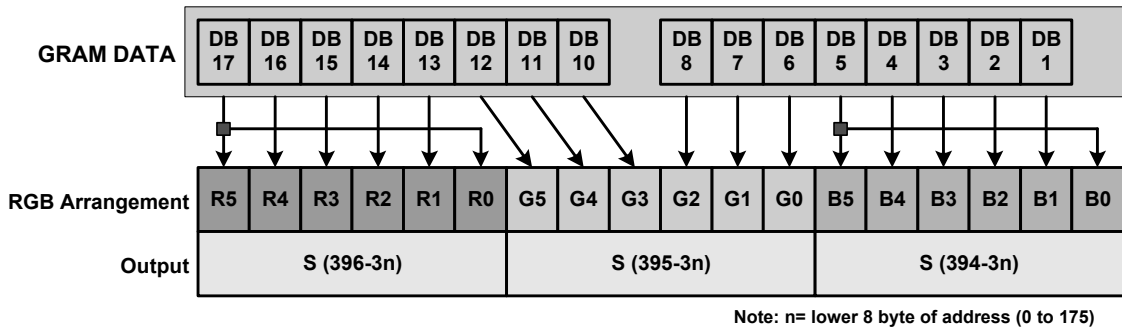
Data fetch from GRAM for display when SS=1 is shown in the following figure.

**SYSTEM INTERFACE**

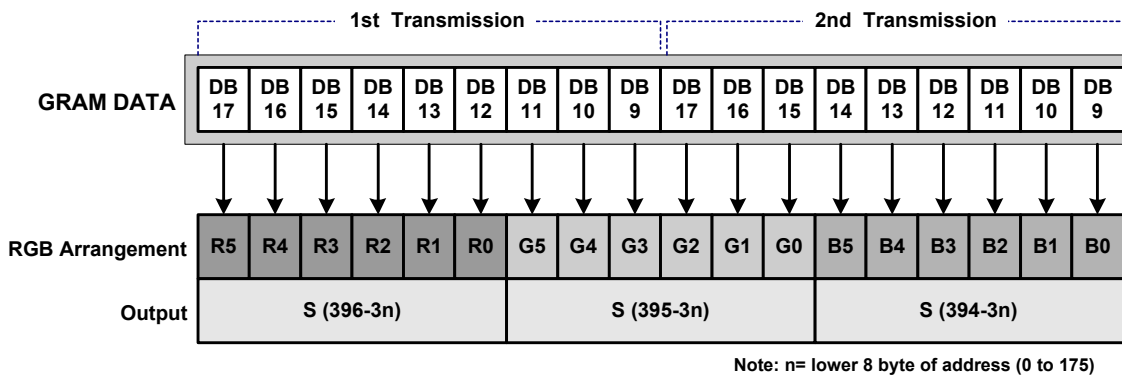
**80-system 18-bit interface**



**80-system 16-bit interface**

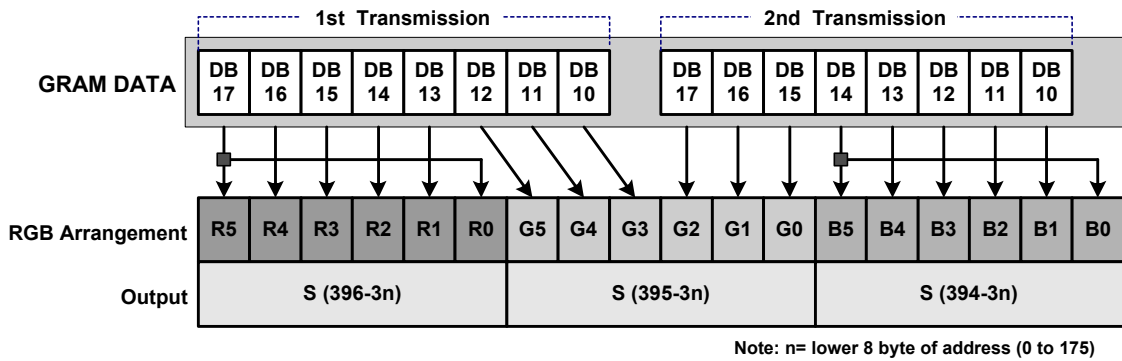


**80-system 9-bit interface**



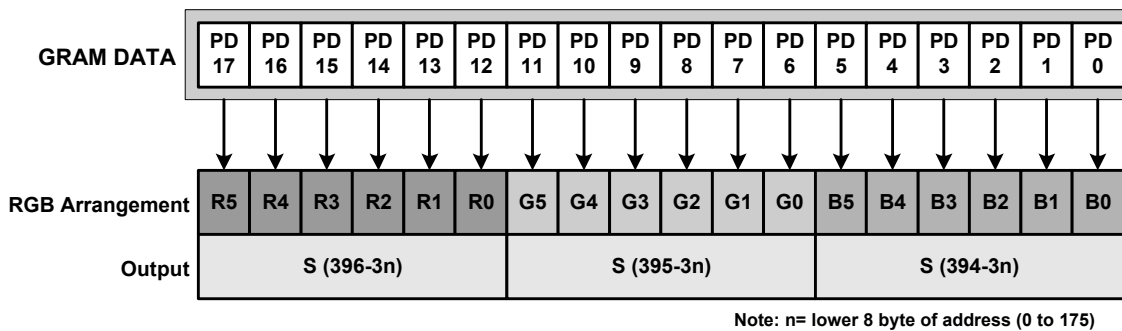
*Preliminary*

**80-system 8-bit interface**

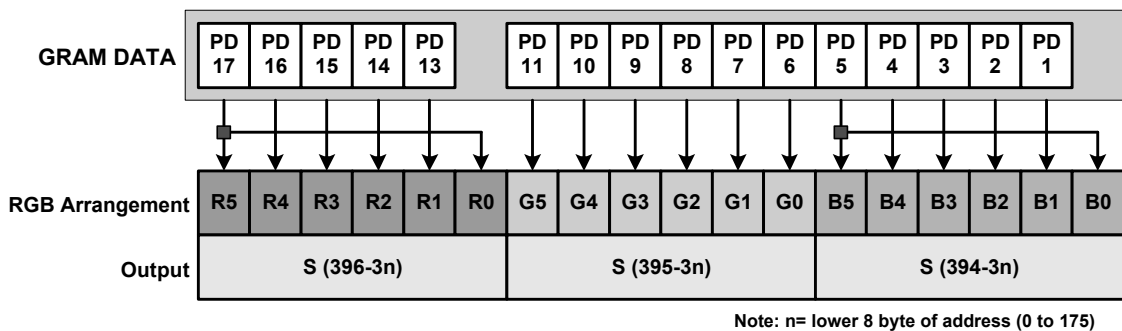


**RGB INTERFACE**

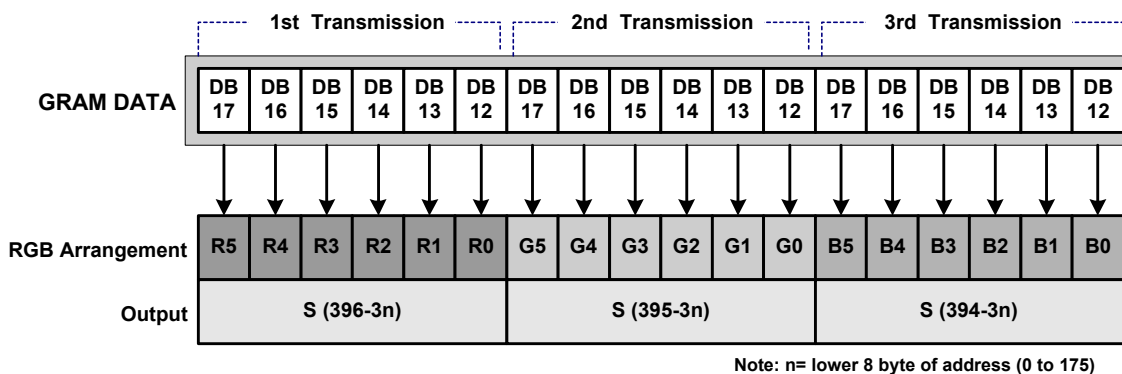
**18-bit interface**



**16-bit interface**



**6-bit interface**



## INSTRUCTIONS

The S6D0114 uses the 18-bit bus architecture. Before the internal operation of the S6D0114 starts, control information is temporarily stored in the registers described below to allow high-speed interfacing with a high-performance microcomputer. The internal operation of the S6D0114 is determined by signals sent from the microcomputer. These signals, which include the register selection signal (RS), the read/write signal (R/W), and the data bus signals (DB17 to DB0), make up the S6D0114 instructions.

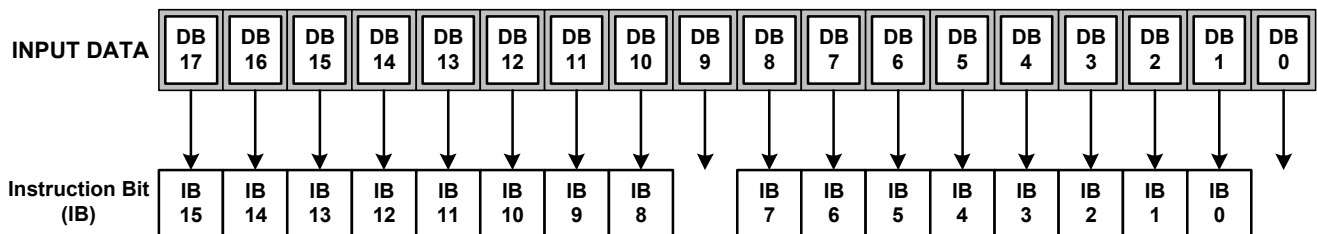
There are nine categories of instructions that:

- Specify the index
- Read the status
- Control the display
- Control power management
- Process the graphics data
- Set internal GRAM addresses
- Transfer data to and from the internal GRAM
- Set grayscale level for the internal grayscale palette table
- Interface with the gate driver and power supply IC

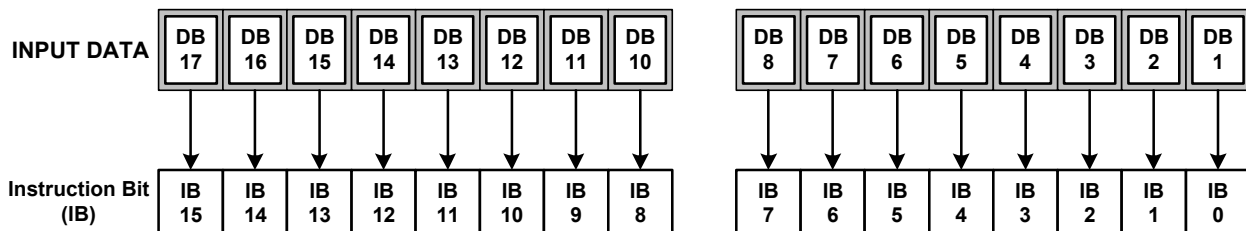
Normally, instructions that write data are used the most. However, an auto-update of internal GRAM addresses after each data write can lighten the microcomputer program load. As instructions are executed in 0 cycles, they can be written in succession.

The 16-bit instruction assignment differ from interface-setup (18-/16-/9-/8-/SPI), so instructions should be fetched according to the data format shown below:

### 80-system 18-bit Interface

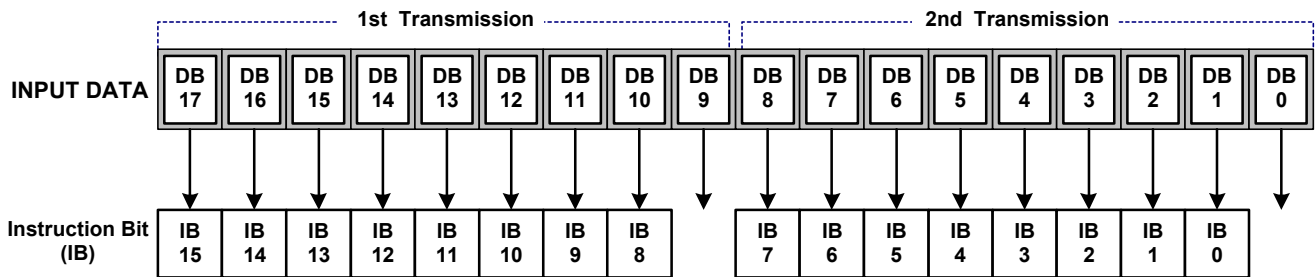


### 80-system 16-bit Interface

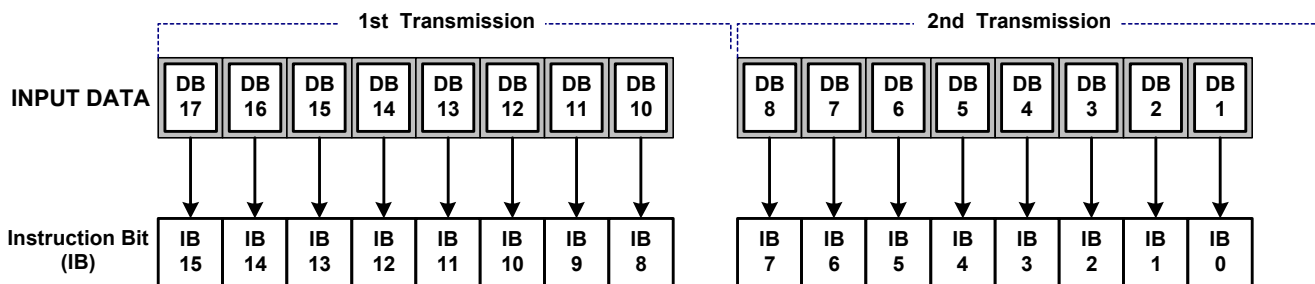


*Preliminary*

**80-system 9-bit Interface**



**80-system 8-bit Interface/SPI (2-transfer per pixel)**



**Preliminary****Instruction Table****Table 15. Instruction table 1**

Reg. No	R/W	RS	DB 15	DB 14	DB 13	DB 12	DB 11	DB 10	DB 9	DB 8	DB 7	DB 6	DB 5	DB 4	DB 3	DB 2	DB 1	DB 0	Register Name / Description
IR	0	0	*	*	*	*	*	*	*	*	*	ID6	ID5	ID4	ID3	ID2	ID1	ID0	<b>Index /</b> Sets the index register value
SR	1	0	L7	L6	L5	L4	L3	L2	L1	L0	0	0	0	0	0	0	0	0	<b>Status read /</b> Reads the internal status of the S6D0114
R00h	0	1	*	*	*	*	*	*	*	*	*	*	*	*	*	*	*	1	<b>Start oscillation(R00H) /</b> Starts the oscillation circuit
	1	1	0	0	0	0	0	0	0	1	0	0	0	1	0	1	0	0	<b>Device code read /</b> Read 0114H
R01h	0	1	0	0	0	0	EPL	SM	GS	SS	0	0	0	NL4	NL3	NL2	NL1	NL0	<b>Driver output control(R01H) /</b> EPL: set polarity of ENABLE pin while using RGB interface. SM: gate driver division drive control GS: gate driver shift direction SS: source driver shift direction NL4-0: number of driving lines
R02h	0	1	0	0	0	0	FLD1	FDL0	B/C	EOR	0	0	NW5	NW4	NW3	NW2	NW1	NW0	<b>LCD-Driving-waveform control (R02H)/</b> FLD1-0: number of interlaced field B/C: LCD drive AC waveform EOR: Exclusive OR-ing the AC waveform NW5-0: number of n-raster-row of C-pattern
R03h	0	1	0	0	0	BGR	0	0	HWM	0	0	0	I/D1	I/D0	AM	LG2	LG1	LG0	<b>Entry mode(R03H) /</b> BGR: RGB swap control HWM: high-speed RAM write I/D1-0: address counter Increment / Decrement control AM: horizontal / vertical RAM update LG2-0: Logic operation control
R04h	0	1	0	0	CP11	CP10	CP9	CP8	CP7	CP6	0	0	CP5	CP4	CP3	CP2	CP1	CP0	<b>Compare register 1(R04H)/</b>
R05h	0	1	0	0	0	0	0	0	0	0	0	0	CP17	CP16	CP15	CP14	CP13	CP12	<b>Compare register 2(R05H)/</b>
R07h	0	1	0	0	0	PT1	PT0	VLE2	VLE1	SPT	0	0	GON	DTE	CL	REV	D1	D0	<b>Display control (R07H) /</b> PT1-0: Non-display area source output control VLE2-1: 1 <sup>st</sup> /2 <sup>nd</sup> partial vertical scroll SPT: 1 <sup>st</sup> /2 <sup>nd</sup> partial display enable GON: gate-off to be VSS level DTE:DISPTMG to be VSS level CL: 8-color display mode enable REV: display area inversion drive D1-0: source output control
R08h	0	1	0	0	0	0	FP3	FP2	FP1	FP0	0	0	0	0	BP3	BP2	BP1	BP0	<b>Blank period control 1 (R08H)/</b> BP3-0: Back porch setting FP3-0: Front porch setting
R09h	0	1	0	0	0	0	BLP1 <sub>3</sub>	BLP1 <sub>2</sub>	BLP1 <sub>1</sub>	BLP1 <sub>0</sub>	BLP2 <sub>3</sub>	BLP2 <sub>2</sub>	BLP2 <sub>1</sub>	BLP2 <sub>0</sub>	0	0	0	0	<b>Blank period control 2 (R09H)/</b> BLP1: blanking period setting BLP2: blanking period setting
R0Bh	0	1	NO1	NO0	SDT1	SDT0	EQ1	EQ0	DIV1	DIV0	0	0	0	0	RTN3	RTN2	RTN1	RTN0	<b>Frame cycle control (R0BH)/</b> NO1-0: specify the amount of non-overlap SDT1-0: set amount of source delay EQ1-0: equalizing period setting DIV1-0: division ratio of internal clock setting RTN3-0: set the 1-H period
R0Ch	0	1	0	0	0	0	0	0	0	RM	0	0	DM1	DM2	0	0	RIM0	RIM1	<b>External interface control(R0CH) /</b> RM: specify the interface for RAM access DM2-1: specify display operation mode RIM1-0: specify RGB-I/F mode
R10h	0	1	0	0	SAP2	SAP1	SAP0	BT2	BT1	BT0	DC2	DC1	DC0	AP2	AP1	AP0	SLP	STB	<b>Power control 1 (R10H) /</b> SAP2-0: BT2-0: DC2-0: AP2-0: SLP: STB:
R11h	0	1	CAD	0	0	VRN4	VRN3	VRN2	VRN1	VRN0	0	0	0	VRP4	VRP3	VRP2	VRP1	VRP0	<b>Power control 2 (R11H)/</b> CAD: VRN4-0: VRP4-0:

**Preliminary****Table 16. Instruction table 2**

Reg. No	R/W	RS	DB 15	DB 14	DB 13	DB 12	DB 11	DB 10	DB 9	DB 8	DB 7	DB 6	DB 5	DB 4	DB 3	DB 2	DB 1	DB 0	Register Name / Description		
R12h	0	1	0	0	0	0	0	0	0	0	0	0	0	0	0	VC2	VC1	VC0	Power control 3 (R12H)/ VC2-0:		
R13h	0	1	0	0	0	0	VRL3	VRL2	VRL1	VRL0	0	0	0	PON	VRH3	VRH2	VRH1	VRH0	Power control 4 (R13H)/ PON: VRL3-0: VRH3-0:		
R14h	0	1	0	0	VCOMG	VDV4	VDV3	VDV2	VDV1	VDV0	0	0	0	VCM4	VCM3	VCM2	VCM1	VCM0	Power control 5 (R14H)/ VCOMG: VDV4-0: VCM4-0:		
R16h	0	1	HEA7	HEA6	HEA5	HEA4	HEA3	HEA2	HEA1	HEA0	HSA7	HSA6	HSA5	HSA4	HSA3	HSA2	HSA1	HSA0	Horizontal RAM Address position (R16H)/ HEA7-0: HSA7-0		
R17h	0	1	VEA7	VEA6	VEA5	VEA4	VEA3	VEA2	VEA1	VEA0	VSA7	VSA6	VSA5	VSA4	VSA3	VSA2	VSA1	VSA0	Vertical RAM Address position (R17H)/ HEA7-0: HSA7-0		
R21h	0	1	AD15	AD14	AD13	AD12	AD11	AD10	AD9	AD8	AD7	AD6	AD5	AD4	AD3	AD2	AD1	AD0	RAM address set (R21H)/ AD15-0:		
R22h	0	1	WD15	WD14	WD13	WD12	WD11	WD10	WD9	WD8	WD7	WD6	WD5	WD4	WD3	WD2	WD1	WD0	Write data to GRAM (R22H)/ WD15-0:		
	1	1	RD15	RD14	RD13	RD12	RD11	RD10	RD9	RD8	RD7	RD6	RD5	RD4	RD3	RD2	RD1	RD0	Read data from GRAM (R22H)/ RD15-0:		
R23h	0	1	0	0	WM11	WM10	WM9	WM8	WM7	WM6	0	0	WM5	WM4	WM3	WM2	WM1	WM0	RAM write data mask 1 (R23H)/ WM11-0:		
R24h	0	1	0	0	0	0	0	0	0	0	0	0	WM17	WM16	WM15	WM14	WM13	WM12	RAM write data mask 2 (R24H)/ WM17-12:		
R30h	0	1	0	0	0	0	0	PKP 12	PKP 11	PKP 10	0	0	0	0	0	PKP 02	PKP 01	PKP 00	Gamma control 1 (R30H)/ Adjust Gamma voltage		
R31h	0	1	0	0	0	0	0	PKP 32	PKP 31	PKP 30	0	0	0	0	0	PKP 22	PKP 21	PKP 20	Gamma control 2 (R31H)/ Adjust Gamma voltage		
R32h	0	1	0	0	0	0	0	PKP 52	PKP 51	PKP 50	0	0	0	0	0	PKP 42	PKP 41	PKP 40	Gamma control 3 (R32H)/ Adjust Gamma voltage		
R33h	0	1	0	0	0	0	0	PRP 12	PRP 11	PRP 10	0	0	0	0	0	PRP 02	PRP 01	PRP 00	Gamma control 4 (R33H)/ Adjust Gamma voltage		
R34h	0	1	0	0	0	0	0	PKN 12	PKN 11	PKN 10	0	0	0	0	0	PKN 02	PKN 01	PKN 00	Gamma control 5 (R34H)/ Adjust Gamma voltage		
R35h	0	1	0	0	0	0	0	PKN 32	PKN 31	PKN 30	0	0	0	0	0	PKN 22	PKN 21	PKN 20	Gamma control 6 (R35H)/ Adjust Gamma voltage		
R36h	0	1	0	0	0	0	0	PKN 52	PKN 51	PKN 50	0	0	0	0	0	PKN 42	PKN 41	PKN 40	Gamma control 7 (R36H)/ Adjust Gamma voltage		
R37h	0	1	0	0	0	0	0	PRN 12	PRN 11	PRN 10	0	0	0	0	0	PRN 02	PRN 01	PRN 00	Gamma control 8 (R37H)/ Adjust Gamma voltage		
R40h	0	1	0	0	0	0	0	0	0	0	0	0	0	0	0	SCN4	SCN3	SCN2	SCN1	SCN0	Gate scan position (R40H)/ SCN4-0: scan starting position of gate
R41h	0	1	0	0	0	0	0	0	0	0	VL7	VL6	VL5	VL4	VL3	VL2	VL1	VL0	Vertical scroll control (R41H)/ VL7-0:		
R42h	0	1	SE17	SE16	SE15	SE14	SE13	SE12	SE11	SE10	SS17	SS16	SS15	SS14	SS13	SS12	SS11	SS10	1 <sup>st</sup> screen driving position (R42H)/ SE17-10: SS17-10		
R43h	0	1	SE27	SE26	SE25	SE24	SE23	SE22	SE21	SE20	SS27	SS26	SS25	SS24	SS23	SS22	SS21	SS20	2 <sup>nd</sup> screen driving position (R43H)/ SE27-20: SS27-20		

**INSTRUCTION DESCRIPTIONS****Index**

The index instruction specifies the RAM control indexes (R00h to R3Fh). It sets the register number in the range of 00000 to 111111 in binary form. However, R40 to R44 are disabled since they are test registers.

R/W	RS	DB15	DB14	DB13	DB12	DB11	DB10	DB9	DB8	DB7	DB6	DB5	DB4	DB3	DB2	DB1	DB0
W	0	*	*	*	*	*	*	*	*	*	ID6	ID5	ID4	ID3	ID2	ID1	ID0

**Status Read**

The status read instruction read out the internal status of the IC.

R/W	RS	DB15	DB14	DB13	DB12	DB11	DB10	DB9	DB8	DB7	DB6	DB5	DB4	DB3	DB2	DB1	DB0
R	0	L7	L6	L5	L4	L3	L2	L1	L0	0	0	0	0	0	0	0	0

L7–0: Indicate the driving raster-row position where the liquid crystal display is being driven.

**Start Oscillation (R00h)**

R/W	RS	DB15	DB14	DB13	DB12	DB11	DB10	DB9	DB8	DB7	DB6	DB5	DB4	DB3	DB2	DB1	DB0
W	1	*	*	*	*	*	*	*	*	*	*	*	*	*	*	*	1
R	1	0	0	0	0	0	0	0	1	0	0	0	1	0	1	0	0

The start oscillation instruction restarts the oscillator from the Halt State in the standby mode. After this instruction, wait at least 10 ms for oscillation to stabilize before giving the next instruction. (See the Standby Mode section)

If this register is read forcibly, \*0114h is read.

**Preliminary****Driver Output Control (R01h)**

R/W	RS	DB15	DB14	DB13	DB12	DB11	DB10	DB9	DB8	DB7	DB6	DB5	DB4	DB3	DB2	DB1	DB0
W	1	0	0	0	0	EPL	SM	GS	SS	0	0	0	NL4	NL3	NL2	NL1	NL0

GS: Selects the output shift direction of the gate driver. When GS = 0, G1 shifts to G176. When GS = 1, G176 shifts to G1.

SM: Select the division drive method of the gate driver. When SM = 0, even/odd division is selected; SM = 1, upper/lower division drive is selected. Various connections between TFT panel and the IC can be supported with the combination of SM and GS bit.

SS: Selects the output shift direction of the source driver. When SS = 0, S1 shifts to S396. When SS = 1, S396 shifts to S1. In addition, SS and BGR bits should be specified in case of the RGB order is changed. When SS = 0 and BGR = 0, <R><G><B> are assigned in order from S1 pin. When SS = 1 and BGR = 1, <R><G><B> are assigned in order from S396. Re-write data to GRAM whenever SS and BGR bit are changed.

EPL: Set the polarity of ENABLE pin while using RGB interface.

EPL = "0": ENABLE = "Low" / write data of PD17-0  
 ENABLE = "High" / don't write data of PD17-0  
 EPL = "1": ENABLE = "High" / write data of PD17-0  
 ENABLE = "Low" / don't write data of PD17-0

**Table 17. Relationship between EPL, ENABLE, VLD and RAM access**

EPL	ENABLE	VLD	RAM write	RAM address
0	0	0	Valid	Updated
0	0	1	Invalid	Updated
0	1	*	Invalid	Held
1	1	0	Valid	Updated
1	1	1	Invalid	Updated
1	0	*	Invalid	Held



**Preliminary**

NL4–0: Specify the number of raster-rows to be driven. The number of raster-row can be adjusted in units of eight. GRAM address mapping is independent of this setting. The set value should be higher than the panel size.

**Table 18. NL bit and Drive Duty (SCN4-0=00000)**

NL4	NL3	NL2	NL1	NL0	Display size	Number of LCD driver lines	Gate driver used
0	0	0	0	0	Setting disabled	Setting disabled	Setting disabled
0	0	0	0	1	396 X 16 dots	16	G1 to G16
0	0	0	1	0	396 X 24 dots	24	G1 to G24
0	0	0	1	1	396 X 32 dots	32	G1 to G32
0	0	1	0	0	396 X 40 dots	40	G1 to G40
0	0	1	0	1	396 X 48 dots	48	G1 to G48
0	0	1	1	0	396 X 56 dots	56	G1 to G56
0	0	1	1	1	396 X 64 dots	64	G1 to G64
0	1	0	0	0	396 X 72 dots	72	G1 to G72
0	1	0	0	1	396 X 80 dots	80	G1 to G80
0	1	0	1	0	396 X 88 dots	88	G1 to G88
0	1	0	1	1	396 X 96 dots	96	G1 to G96
0	1	1	0	0	396 X 104 dots	104	G1 to G104
0	1	1	0	1	396 X 112 dots	112	G1 to G112
0	1	1	1	0	396 X 120 dots	120	G1 to G120
0	1	1	1	1	396 X 128 dots	128	G1 to G128
1	0	0	0	0	396 X 136 dots	136	G1 to G136
1	0	0	0	1	396 X 144 dots	144	G1 to G144
1	0	0	1	0	396 X 152 dots	152	G1 to G152
1	0	0	1	1	396 X 160 dots	160	G1 to G160
1	0	1	0	0	396 X 168 dots	168	G1 to G168
1	0	1	0	1	396 X 176 dots	176	G1 to G176

NOTE: A FP (front porch) and BP (back porch) period will be inserted as blanking period (All gates output Vgoff level) before / after the driver scan through all of the scans.

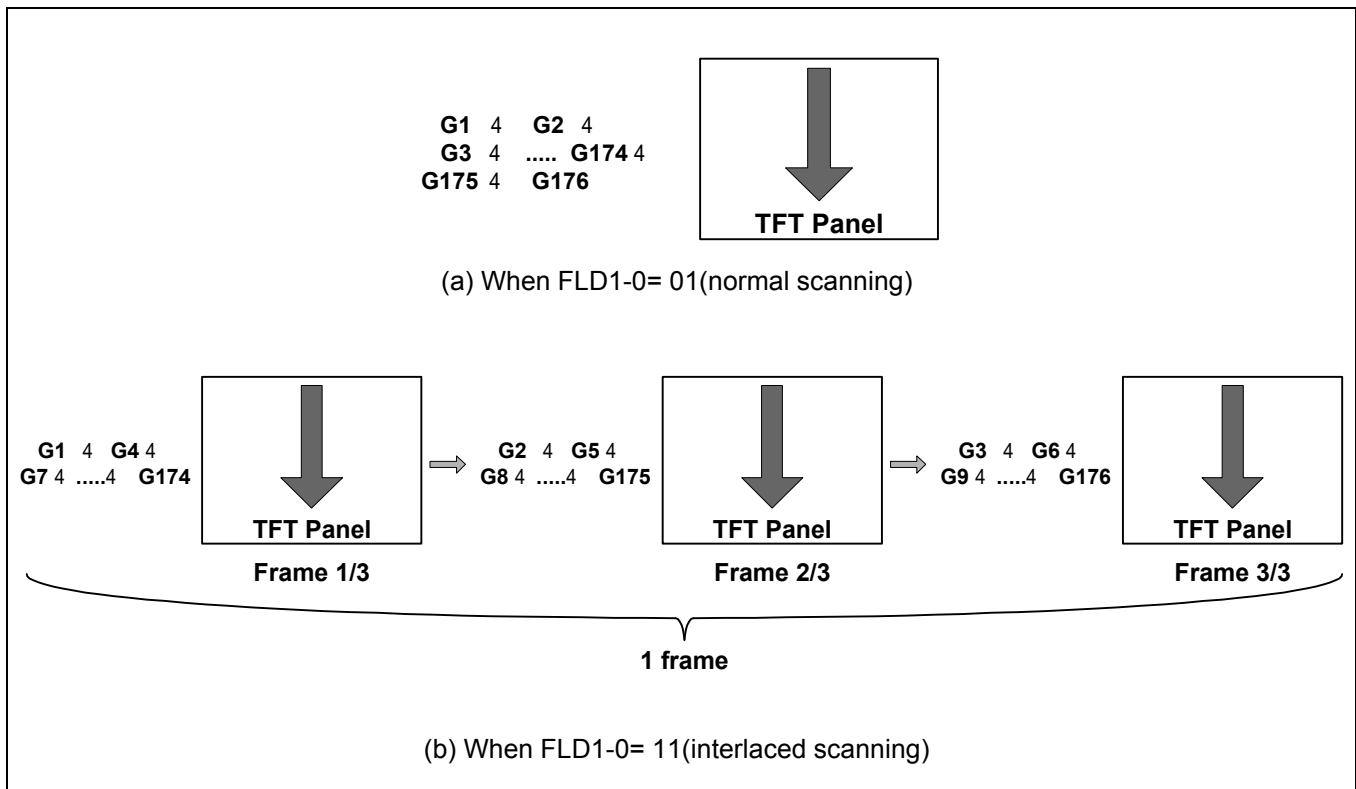
**Preliminary****LCD-Driving-Waveform Control (R02h)**

R/W	RS	DB15	DB14	DB13	DB12	DB11	DB10	DB9	DB8	DB7	DB6	DB5	DB4	DB3	DB2	DB1	DB0
W	1	0	0	0	0	FLD 1	FLD 0	B/C	EOR	0	0	NW5	NW4	NW3	NW2	NW1	NW0

FLD1-0: These bits are for the set up of the interlaced driver' sn raster-row. See the following table and figure for the set up value and field raster-row and scanning method.

**Table 19. Association chart for scanning FLD1-0 and n raster-row**

FLD1	FLD0	Scanning method
0	0	Set up disabled
0	1	1 field
1	0	Set up disabled
1	1	3 field (interlaced)

**Figure 6. n raster-row interlaced scanning method**

B/C: When B/C = 0, a B-pattern waveform is generated and alternates at every frame. When B/C = 1, an n raster-row AC waveform is generated and alternates in each raster-row specified by bits EOR and NW4–NW0 in the LCD-driving-waveform control register (R02h). For details, see the n-raster-row Reversed AC Drive section.

***Preliminary***

EOR: When the C-pattern waveform is set (B/C = 1) and EOR = 1, the odd/even frame-select signals and the n-raster-row reversed signals are EORed(Exclusive-OR) for alternating drive. EOR is used when the LCD is not alternated by combining the set values of the number of the LCD drive raster-row and the n raster-row. For details, see the n-raster-row Reversed AC Drive section.

NW5–0: Specify the number of raster-rows that will alternate in the C-pattern waveform setting (B/C = 1).  
NW4–NW0 alternate for every set value + 1 raster-row, and the first to the 64th raster-rows can be selected.

*Preliminary*

**Entry Mode (R03h)**

**Compare Register 1 (R04h)**

**Compare Register 2 (R05h)**

R/W	RS	DB15	DB14	DB13	DB12	DB11	DB10	DB9	DB8	DB7	DB6	DB5	DB4	DB3	DB2	DB1	DB0
W	1	0	0	0	BGR	0	0	HWM	0	0	0	I/D1	I/D0	AM	LG2	LG1	LG0
W	1	0	0	CP11	CP10	CP9	CP8	CP7	CP6	0	0	CP5	CP4	CP3	CP2	CP1	CP0
W	1	0	0	0	0	0	0	0	0	0	0	CP17	CP16	CP15	CP14	CP13	CP12

The write data sent from MPU is modified in the S6D0114 and written to the GRAM. The display data in the GRAM can be quickly rewritten to reduce the load of the microcomputer software processing. For details, see the Graphics Operation Function section.

**HWM:** When HWM=1, data can be written to the GRAM at high speed. In high-speed write mode, four words of data are written to the GRAM in a single operation after writing to GRAM four times. Write to RAM four times, otherwise the four words cannot be written to the GRAM. Thus, set the lower 2 bits to 0 when setting the RAM address. For details, see the High Speed RAM Write Mode section.

**I/D1-0:** When I/D1-0 = 1, the address counter (AC) is automatically increased by 1 after the data is written to the GRAM. When I/D1-0 = 0, the AC is automatically decreased by 1 after the data is written to the GRAM. Automatic address counter updating is not performed when reading data from GRAM. The increment/decrement setting of the address counter by I/D1-0 bits is performed independently for the upper (AD15-8) and lower (AD7-0) addresses. The AM bit sets the direction of moving through the addresses when the GRAM is written.

**AM:** Set the automatic update method of the AC after the data is written to the GRAM. When AM = 0, the data is continuously written in parallel. When AM = 1, the data is continuously written vertically. When window address range is specified, the GRAM in the window address range can be written to according to the I/D1-0 and AM settings.

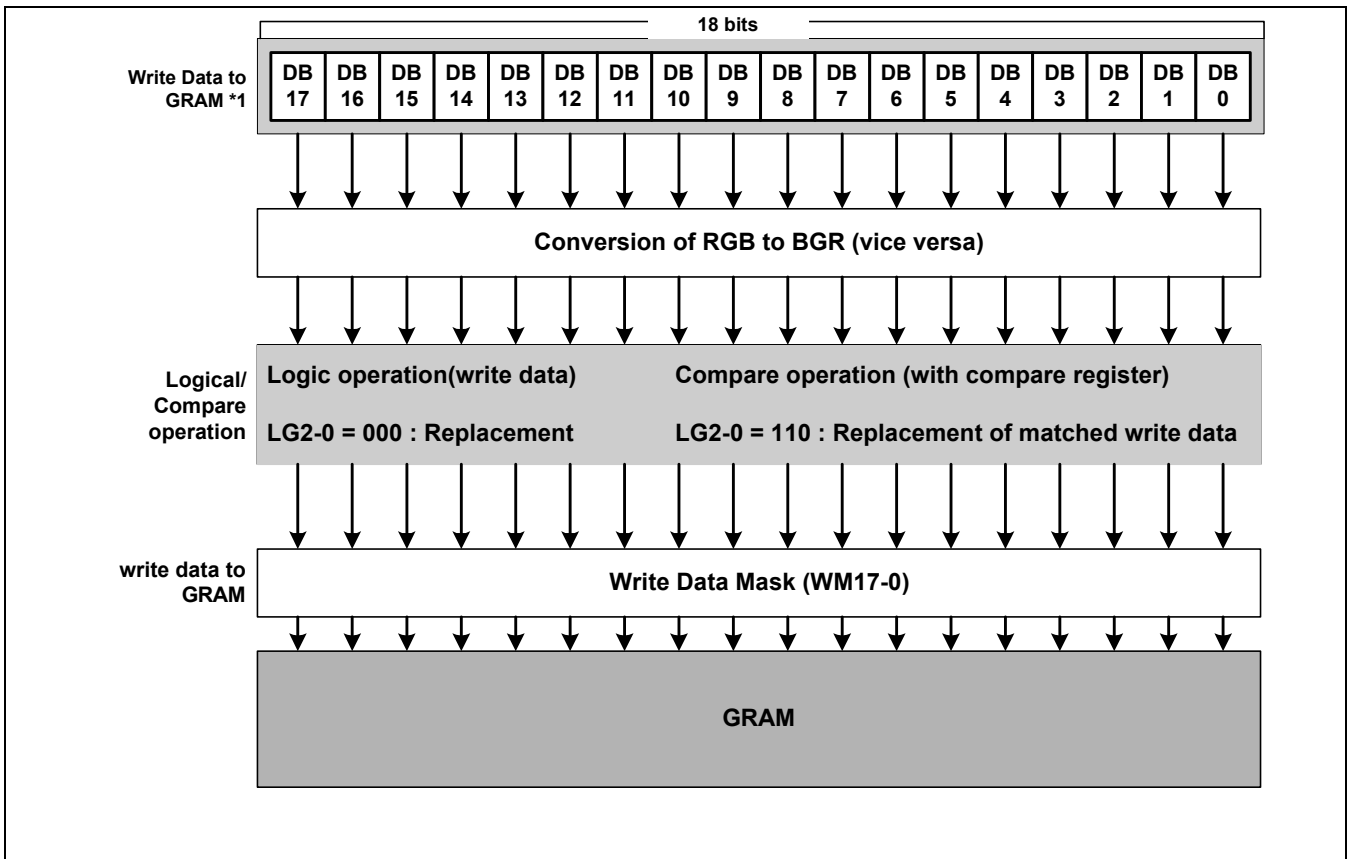
**Table 20. Address Direction Setting**

	I/D1-0="00" H: decrement V: decrement	I/D1-0="01" H: increment V: increment	I/D1-0="10" H: decrement V: increment	I/D1-0="11" H: increment V: increment
AM=0 Horizontal				
AM=1 Vertical				

**LG2-0:** Compare the data read from the GRAM by the microcomputer with the compare registers (CP17-0) by a compare/logical operation and write the results to GRAM. For details, see the Logical/Compare Operation Function.

**CP17-0:** Set the compare register for the compare operation with the data read from the GRAM or written by the microcomputer.

Note: this function is not available when the external display interface (i.e. RGB interface or VSYNC interface) is in use.  
Therefore, LG2-0 bits should be set to be "000", respectively.



**Figure 7. RGB swapping and Logical/compare operation**

Note: 1) Data is written to GRAM in 18-bit units. Logical and compare operations are also performed in 18-bit units.  
2) The write data mask(WM17-0) is set by the register in the RAM write data mask section

**Preliminary****Display Control (R07h)**

R/W	RS	DB15	DB14	DB13	DB12	DB11	DB10	DB9	DB8	DB7	DB6	DB5	DB4	DB3	DB2	DB1	DB0
W	1	0	0	0	PT1	PT0	VLE2	VLE1	SPT	0	0	GON	DTE	CL	REV	D1	D0

**PT1-0:** Normalize the source outputs when non-displayed area of the partial display is driven. For details, see the Screen-division Driving Function section.

PT1	PT0	Source Output for Non-display Area		Gate Output for Non-display Area
		Positive Polarity	Negative Polarity	Gate driver used
0	0	V63	V0	Normal Drive
0	1	V0	V63	Vgoff
1	0	GND	GND	Vgoff
1	1	Hi-z	Hi-z	Vgoff

**VLE2-1:** When VLE1 = 1, a vertical scroll is performed in the 1st screen. When VLE2 = 1, a vertical scroll is performed in the 2nd screen. Vertical scrolling on the two screens cannot be controlled at the same time.

VLE2	VLE1	2 <sup>nd</sup> Screen	1 <sup>st</sup> Screen
0	0	Fixed display	Fixed display
0	1	Fixed display	Scroll
1	0	Scroll	Fixed display
1	1	Setting disabled	Setting disabled

**SPT:** When SPT = 1, the 2-division LCD drive is performed. For details, see the Screen-division Driving Function section.

Note: this function is not available when the external display interface (i.e. RGB interface or VSYNC interface) is in use.

**GON:** Gate off level is set to be VSS when GON = 0.

When GON= 0 and DISPTMG= 0, G1 to G176 output is fixed to VSS level. When GON= 1, G1 to G176 output is fixed to VGH or Vgoff level. See the instruction set up flow for further description on the display on/off flow.

**DTE:** DISPTMG output is fixed to VSS when DTE = 0.

GON	Gate output
0	VGH/VSS
1	VGH/Vgoff

DTE	DISPTMG output
0	Halt (VSS)
1	Operation (VDD/VSS)

**CL:** CL = 1 selects 8-color display mode. For details, see the section on 8-color display mode.

CL	Number of display colors
0	262,144 colors
1	8 colors

**REV:** Displays all character and graphics display sections with reversal when REV = 1. For details, see the Reversed Display Function section. Since the grayscale level can be reversed, display of the same data is enabled on normally white and normally black panels.

1) Combination with the PT1-0 bit

REV	GRAM data	Source output level									
		Display Area		Non-display area							
		Positive	Negative	PT1-0=(0,0)		PT1-0=(0,1)		PT1-0=(1,0)		PT1-0=(1,1)	
Positive	Negative			Positive	Negative	Positive	Negative	Positive	Negative		
0	18 h00000	V63	V0	V63	V0	V63	V0	VSS	VSS	Hi-z	Hi-z
	:	:									
1	18 h3FFFF	V0	V63	V63	V0	V63	V0	VSS	VSS	Hi-z	Hi-z
	:	:									
	18 h3FFFF	V63	V0								

**D1-0:** Display is on when D1 = 1 and off when D1 = 0. When off, the display data remains in the GRAM, and can be re-displayed instantly by setting D1 = 1. When D1 is 0, the display is off with the entire source outputs set to the VSS level. Because of this, the S6D0114 can control the charging current for the LCD with AC driving. Control the display on/off while control GON and DTE. For details, see the Instruction Set Up Flow.

When D1-0 = 01, the internal display of the S6D0114 is performed although the display is off. When D1-0 = 00, the internal display operation halts and the display is off.

D1	D0	Source output	S6D0114 internal display operation	Master/slave signal (CL1, FLM, M, DISPTMG)
0	0	VSS	Halt	Halt
0	1	VSS	Operate	Operate
1	0	Unlit display	Operate	Operate
1	1	Display	Operate	Operate

**Notes:**

1. Writing from MCU to GRAM is independent from D1-0.
2. In sleep and standby mode, D1-0 = 00. However, the register contents of D1-0 are not modified.

**Preliminary****Blanking period control 1 (R08h)****Blanking period control 2 (R09h)**

R/W	RS	DB15	DB14	DB13	DB12	DB11	DB10	DB9	DB8	DB7	DB6	DB5	DB4	DB3	DB2	DB1	DB0
W	1	0	0	0	0	FP3	FP2	FP1	FP0	0	0	0	0	BP3	BP2	BP1	BP0
W	1	0	0	0	0	BLP1 3	BLP1 2	BLP1 1	BLP1 0	BLP2 3	BLP2 2	BLP2 1	BLP2 0	0	0	0	0

The blanking period in the front and end of the display area can be defined using this register.

When N-raster-row is driving, a blank period is inserted after all screens are drawn. Front and Back porch can be adjusted using FP3-0 and BP3-0 bits (R08h). In interlace drive mode, Blank period can be adjusted using BLP13-0 and BLP23-0 bit (R09h). For details, see the Graphics Operation Function section.

**FP3-0/BP3-0:** Set the periods of blanking (the front and back porch), which are placed at the beginning and end of the display. FP3-0 are for a front porch and BP3-0 are for a back porch. When front and back porches are set, the settings should meet the following conditions.

BP + FP = 16 raster-rows

FP ≥ 2 raster-rows

BP ≥ 2 raster-rows

When the external display interface is in use, the front porch (FP) will start on the falling edge of the VSYNC signal and display operation commences at the end of the front-porch period. The back porch (BP) will start when data for the number of raster-rows specified by the NL bits has been displayed. During the period between the completion of the back-porch period and the next VSYNC signal, the display will remain blank.

NOTE: In the internal clock mode, the blanking periods described above should be BP=0011 (3 raster-rows) and FP=0101 (5 raster-rows)

**Table 21. Front/Back Porch**

FP3 BP3	FP2 BP2	FP1 BP1	FP0 BP0	# of Raster Periods In the Front Porch # of Raster Periods In the Back Porch
0	0	0	0	Setting Disabled
0	0	0	1	Setting Disabled
0	0	1	0	2
0	0	1	1	3
0	1	0	0	4
.	.	.	.	.
.	.	.	.	.
.	.	.	.	.
1	1	0	0	12
1	1	0	1	13
1	1	1	0	14
1	1	1	1	Setting Disabled

**BLP13-0/BLP23-0:** In interlaced drive (3-field) mode, blanking period inserted every 1/3 frame. BLP13-0 and BLP23-0 bit can/ adjust that blanking period.



**Frame Cycle Control (R0Bh)**

R/W	RS	DB15	DB14	DB13	DB12	DB11	DB10	DB9	DB8	DB7	DB6	DB5	DB4	DB3	DB2	DB1	DB0
W	1	NO1	NO0	SDT1	SDT0	EQ1	EQ0	DIV1	DIV0	0	0	0	0	RTN3	RTN2	RTN1	RTN0

**RTN3-0:** Set the 1H period (1 raster-row).

RTN3	RTN2	RTN1	RTN0	Clock cycles per raster row
0	0	0	0	16
0	0	0	1	17
0	0	1	0	18
.	.	.	.	.
.	.	.	.	.
.	.	.	.	.
1	1	1	0	30
1	1	1	1	31

**DIV1-0:** Set the division ratio of clocks for internal operation (DIV1-0). Internal operations are driven by clocks, which are frequency divided according to the DIV1-0 setting. Frame frequency can be adjusted along with the 1H period (RTN3-0). When changing number of the drive cycle, adjust the frame frequency. For details, see the Frame Frequency Adjustment Function section.

DIV1	DIV0	Division Ratio	Internal operation clock frequency
0	0	1	fosc/1
0	1	2	fosc/2
1	0	4	fosc/4
1	1	8	fosc/8

\*fosc = R-C oscillation frequency

$$\text{Frame Frequency} = \frac{f_{\text{osc}}}{\text{Clock cycles per raster-row} \times \text{division ratio} \times (\text{Line} + \text{B})} \text{ [Hz]}$$

fosc: R-C oscillation frequency  
 Line: Number of raster-rows (NL bit)  
 Clock cycles per raster-row: RTN bit  
 Division ratio: DIV bit  
 B: Blank period(Back porch + Front Porch)

**Figure 8. Formula for the frame frequency**

**Preliminary**

**EQ1-0:** EQ period is sustained for the number of clock cycle which is set on EQ1-0. When  $V_{comL} < 0$ , set these bits as "00" for preventing the abnormal function.

EQ1	EQ0	EQ period Internal Operation (synchronized with internal clock)	RGB I/F Operation (synchronized with DOTCLK)
0	0	No EQ	No EQ
0	1	1 clock cycle	8 clock cycle
1	0	2 clock cycle	16 clock cycle
1	1	3 clock cycle	24 clock cycle

**SDT1-0:** Set delay amount from gate edge (end) to source output.

SDT1	SDT0	Delay amount of the source output
0	0	1 clock cycle
0	1	2 clock cycle
1	0	3 clock cycle
1	1	4 clock cycle

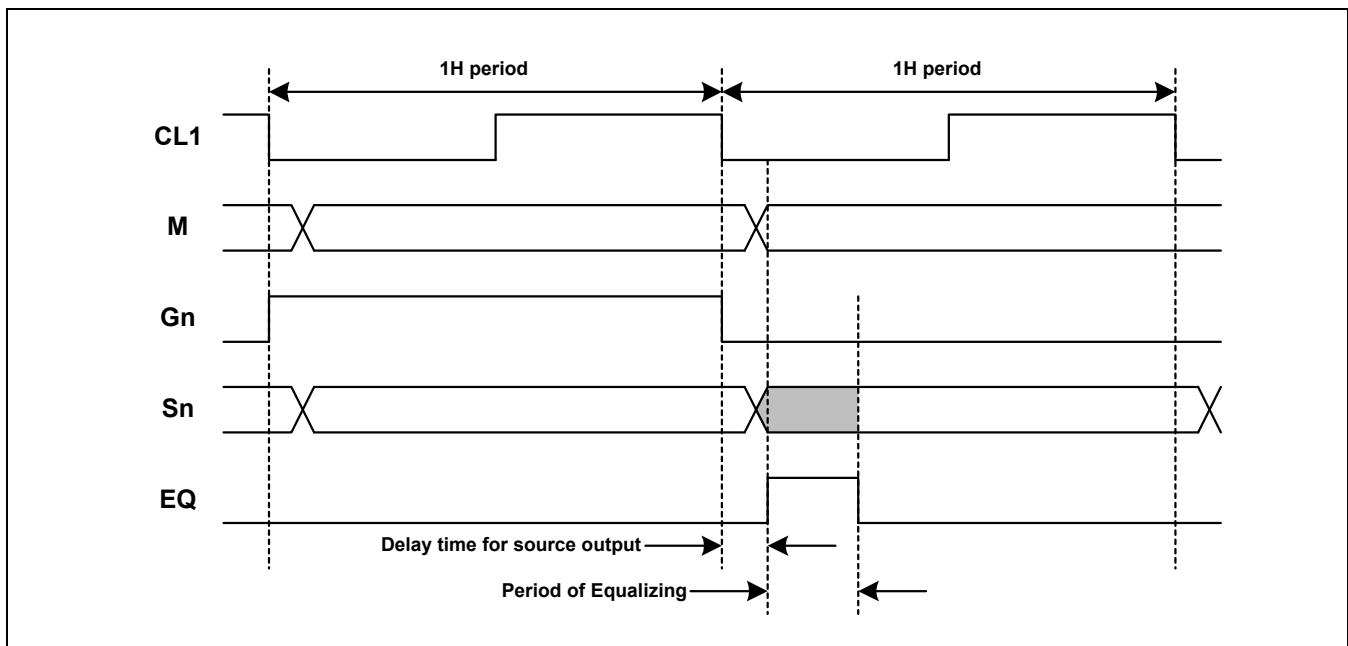
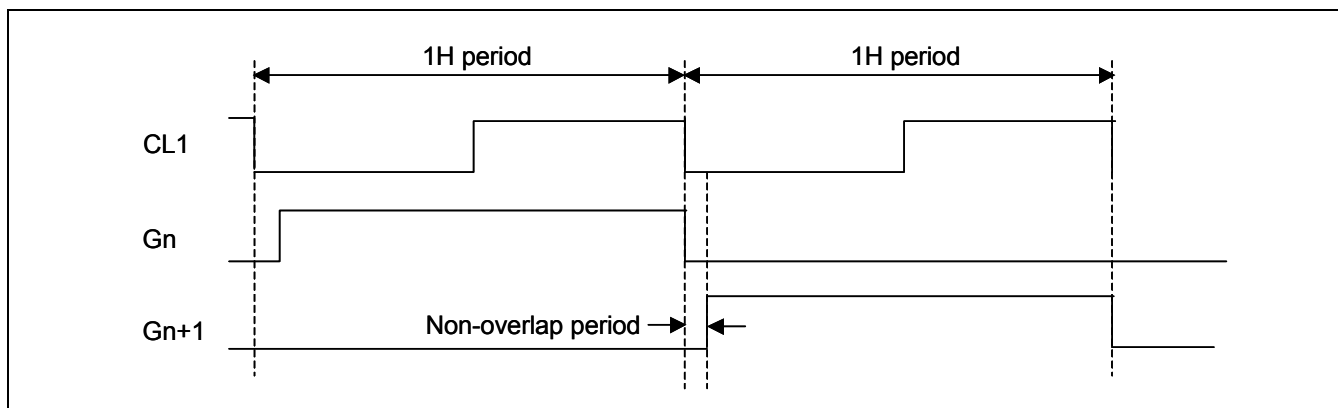


Figure 9. Set Delay from Gate Output to Source Output and EQ signal

**NO1-0:** Set amount of non-overlay for the gate output.

NO1	NO0	Amount of non-overlay
0	0	0 clock cycle
0	1	4 clock cycle
1	0	6 clock cycle
1	1	8 clock cycle

**Note:** The amount of non-overlap time is defined from the falling edge of the CL1



**Figure 10. Non-overlap Period**

**Note:** The values specified by the bits of EQ, SDT1-0 and NO1-0 vary in a reference clock for each interface mode.

Internal operation mode: Internal R-C oscillation clock  
 RGB-I/F mode : DOTCLK  
 VSYNC-I/F : Internal R-C oscillation clock

**Preliminary****External Display Control (R0Ch)**

R/W	RS	DB15	DB14	DB13	DB12	DB11	DB10	DB9	DB8	DB7	DB6	DB5	DB4	DB3	DB2	DB1	DB0
W	1	0	0	0	0	0	0	0	RM	0	0	DM1	DM2	0	0	RIM1	RIM0

**RIM1-0:** Specify the RGB interface mode when the RGB interface is used. Specifically, this setting specifies the mode when the bits of DM and RM are set to RGB interface. These bits should be set before display operation through the RGB interface and should not be set during operation.

RIM1	RIM0	RGB Interface Mode
0	0	18-bit RGB interface (one transfer/pixel)
0	1	16-bit RGB interface (one transfer /pixel)
1	0	6-bit RGB interface (three transfers /pixel)
1	1	Setting disabled

**DM1-0:** Specify the display operation mode. The interface can be set based on the bits of DM1-0. This setting enables switching interface between internal operation and the external display interface. Switching between two external display interfaces (RGB interface and VSYNC interface) should not be done.

DM1	DM0	RGB Interface Mode
0	0	Internal clock operation
0	1	RGB interface
1	0	VSYNC interface
1	1	Setting disabled

**RM:** Specifies the interface for RAM accesses. RAM accesses can be performed through the interface specified by the bits of RM1-0. When the display data is written via the RGB interface, 1 should be set. This bit and the DM bits can be set independently. The display data can be written via the system interface by clearing this bit while the RGB interface is used.

RM	Interface for RAM Access
0	System interface / VSYNC interface
1	RGB interface

**Preliminary**

Depending on the external display interface setting, different interfaces for use can be specified to match the display state. While displaying moving pictures (RGB interface/VSYNC interface), the data for display can be written in high-speed write mode, which achieves both low power consumption and high-speed access.

**Table 22. Display State and Interface**

Display State	Operation Mode	RAM Access (RM)	Display Operation Mode (DM1-0)
Still Pictures	Internal Clock	System interface (RM=0)	Internal clock (DM1-0=00)
Motion Pictures	RGB interface (1)	RGB interface (RM=1)	RGB interface (DM1-0=01)
Rewrite still picture area while displaying motion pictures	RGB interface (2)	System interface (RM=0)	RGB interface (DM1-0=01)
Motion Picture Display	VSYNC interface	System interface (RM=0)	VSYNC interface (DM1-0=10)

- NOTE:**
- 1) The instruction register can only be set through the system interface.
  - 2) Switching between RGB interface and VSYNC interface cannot be done.
  - 3) The RGB interface mode should not be set during operation.
  - 4) For the transition flow for each operation mode, see the External Display Interface section.
  - 5) RGB interface and VSYNC interface should be used in high-speed write mode (HWM=1).

**Internal Clock Mode**

All display operation is controlled by signals generated by the internal clock in internal clock mode. All inputs through the external display interface are invalid. The internal RAM can be accessed only via the system interface.

**RGB Interface Mode (1)**

The display operations are controlled by the frame synchronization clock (VSYNC), raster-row synchronization signal (VSYNC), and dot clock (DCLK) in RGB interface mode. These signals should be supplied during display operation in this mode.

The display data is transferred to the internal RAM via PD17-0 for each pixel. Combining the function of the high-speed write mode and the window address enables display of both the motion picture area and the internal RAM area simultaneously. In this method, data is only transferred when the screen is updated, which reduces the amount of data transferred.

The periods of the front (FP), back (BP) porch, and the display are automatically generated in the S6D0114 by counting the raster-row synchronization signal (HSYNC) based on the frame synchronization signal (VSYNC).

**RGB Interface Mode (2)**

When RGB interface is in use, data can be written to RAM via the system interface. This write operation should be performed while data for display is not being transferred via RGB interface (ENABLE = low). Before the next data transfer for display via RGB interface, the setting above should be changed, and then the address and index (R22h) should be set.

---

**Preliminary****VSYNC Interface Mode**

The internal display operation is synchronized with the frame synchronization signal (VSYNC) in VSYNC interface mode. When data is written to the internal RAM with the required speed after the falling edge of VSYNC, motion pictures can be displayed via the conventional interface. There are some limitations on the timing and methods of writing to RAM. See the section on the external display interface.

In VSYNC interface mode. Only the VSYNC input is valid. The other input signals for the external display interface are invalid.

The periods of the front and back porch and display period are automatically generated by the frame synchronization signal (VSYNC) according to the setting of the S6D0114 registers.

**Power Control 1 (R10h)****Power Control 2 (R11h)**

R/W	RS	DB15	DB14	DB13	DB12	DB11	DB10	DB9	DB8	DB7	DB6	DB5	DB4	DB3	DB2	DB1	DB0
W	1	0	0	SAP 2	SAP 1	SAP 0	BT2	BT1	BT0	DC2	DC1	DC0	AP2	AP1	AP0	SLP	STB
W	1	CAD	0	0	VRN 4	VRN 3	VRN 2	VRN 1	VRN 0	0	0	0	VRP 4	VRP 3	VRP 2	VRP 1	VRP 0

**SAP2-0:** Adjust the amount of fixed current from the fixed current source in the operational amplifier for the source driver. When the amount of fixed current is large, LCD driving ability and the display quality become high, but the current consumption is increased. Adjust the fixed current considering the display quality and the current consumption. During non-display, when SAP2-0 = "000", the current consumption can be reduced by ending the operational amplifier and step-up circuit operation.

SAP2	SAP1	SAP0	Amount of Current in Operational Amplifier
0	0	0	Operation of the operational amplifier and step-up circuit stops.
0	0	1	Small
0	1	0	Small or medium
0	1	1	Medium
1	0	0	Medium or large
1	0	1	Large
1	1	0	Setting disabled
1	1	1	Setting disabled

**BT2-0:** The output factor of step-up is switched. Adjust scale factor of the step-up circuit by the voltage used. When the step-up operating frequency is high, the driving ability of the step-up circuit and the display quality become high, but the current consumption is increased. Adjust the frequency considering the display quality and the current consumption.

BT2	BT1	BT0	VLOUT1 Output	VLOUT2 Output	Notes*
0	0	0	2 X Vci1	3 X Vci2	VLOUT2 = Vci1 X six times
0	0	1	2 X Vci1	4 X Vci2	VLOUT2 = Vci1 X eight times
0	1	0	3 X Vci1	3 X Vci2	VLOUT2 = Vci1 X nine times
0	1	1	3 X Vci1	2 X Vci2	VLOUT2 = Vci1 X six times
1	0	0	2 X Vci1	Vci1 + 2 X Vci2	VLOUT2 = Vci1 X five times
1	0	1	2 X Vci1	Vci1 + 3 X Vci2	VLOUT2 = Vci1 X seven times
1	1	0	Step-up stopped	3 X Vci2	VLOUT2 = Vci2 X three times
1	1	1	Step-up stopped	4 X Vci2	VLOUT2 = Vci2 X four times

**Note:** The step-up factors of VLOUT2 are derived from Vci1 when VLOUT1 and Vci2 are shorted. The conditions of VLOUT1 □ 5.5V and VLOUT2 □ 15.0V must be satisfied.

**Preliminary**

**DC2-0:** The operating frequency in the step-up circuit is selected. When the step-up operating frequency is high, the driving ability of the step-up circuit and the display quality become high, but the current consumption is increased. Adjust the frequency considering the display quality and the current consumption.

DC2	DC1	DC0	Step-up Cycle in Step-up Circuit1	Step-up Cycle in Step-up Circuit 2/3/4
0	0	0	DCCLK / 1	DCCLK / 4
0	0	1	DCCLK / 2	DCCLK / 4
0	1	0	DCCLK / 4	DCCLK / 4
0	1	1	DCCLK / 2	DCCLK / 16
1	0	0	DCCLK	DCCLK / 8
1	0	1	DCCLK / 2	DCCLK / 8
1	1	0	DCCLK / 4	DCCLK / 8
1	1	1	DCCLK / 4	DCCLK / 16

**AP2-0:** The amount of fixed current in the operational amplifier for the power supply can be adjusted. When the amount of fixed current is large, the LCD driving ability and the display quality become high, but the current consumption is increased. Adjust the fixed current considering the display quality and the current consumption. During no display, when AP2-0 = "000", the current consumption can be reduced by ending the operational amplifier and step-up circuit operation.

AP2	AP1	AP0	Amount of Current in Operational Amplifier
0	0	0	Operation of the operational amplifier and step-up circuit stops.
0	0	1	Small
0	1	0	Small or medium
0	1	1	Medium
1	0	0	Medium or large
1	0	1	Large
1	1	0	Setting Inhibited
1	1	1	Setting Inhibited

**SLP:** When SLP = 1, the S6D0114 enters the sleep mode, where the internal display operations are halted except for the R-C oscillator, thus reducing current consumption. Only the following instructions can be executed during the sleep mode.

- Power control (BT2-0, DC3-0, AP2-0, SLP, STB, VC2-0, CAD, VR3-0, VRL3-0, VRH4-0, VCOMG, VDV4-0, and VCM4-0 bits)

During the sleep mode, the other GRAM data and instructions cannot be updated although they are retained and G1 to G176 output is fixed to VSS level, and register set-up is protected (maintained).



**Preliminary**

**STB:** When STB = 1, the S6D0114 enters the standby mode, where display operation completely stops, halting all the internal operations including the internal R-C oscillator. Further, no external clock pulses are supplied. For details, see the Standby Mode section. Only the following instructions can be executed during the standby mode.

- Standby mode cancel(STB = "0")
- Start oscillation

**CAD:** Set this bit according to the structure for the TFT-display retention volume.

CAD = 0: Set this bit when the Cst retention volume is structured. In this case, Vgoff level is fixed to VgoffL level regardless of the Vcom alternating drive.

CAD = 1: Set this bit when the Cadd retention volume is structured. At the Vcom alternating drive, the Vgoff voltage is output in the VgoffL voltage reference by the amount of Vcom alternating amplitude.

**VRP4-0:** Control oscillation (positive polarity) of 64-grayscale. For details, see the Oscillation Adjusting Circuit section.

**VRN4-0:** Control oscillation (negative polarity) of 64-grayscale. For details, see the Oscillation Adjusting Circuit section.

**Preliminary****Power Control 3 (R12h)****Power Control 4 (R13h)****Power Control 5 (R14h)**

R/W	RS	DB15	DB14	DB13	DB12	DB11	DB10	DB9	DB8	DB7	DB6	DB5	DB4	DB3	DB2	DB1	DB0
W	1	0	0	0	0	0	0	0	0	0	0	0	0	0	VC2	VC1	Vc0
W	1	0	0	0	0	VRL 3	VRL 2	VRL 1	VRL 0	0	0	0	PON	VRH 3	VRH 2	VRH 1	VRH 0
W	1	0	0	VCO MG	VDV 4	VDV 3	VDV 2	VDV 1	VDV 0	0	0	0	VCM 4	VCM 3	VCM 2	VCM 1	VCM 0

**VC2-0:** Adjust reference voltage of VREG1, VREG2OUT and Vciout to optional rate of Vci. Also, when VC2 = "1", it is possible to stop the internal reference voltage generator. This leads to optional power on for VREG1OUT/Vciout with REGP and VREG2OUT with REGN externally.

VC2	VC1	VC0	Internal Reference Voltage (REGP) of VREG1OUT and Vciout	Internal Reference Voltage (REGN) of VREG2OUT
0	0	0	0.92 X Vci	0.08 X Vci
0	0	1	0.83 X Vci	0.17 X Vci
0	1	0	0.73 X Vci	0.27 X Vci
0	1	1	0.68 X Vci	0.32 X Vci
1	*	*	Stops generation of the internal reference voltages of VREG1OUT and Vciout (REGP can be input externally)	Stops generation of the internal reference voltage of VREG2OUT (REGN can be input externally).

**Note:** Leave these settings open because the voltage other than that for halting the internal circuit is output for REGP and REGN.

**VRL3-0:** Set magnification of amplification for VREG2OUT voltage (voltage for the reference voltage, VREG2 while generating Vgoffout.) It allows magnifying the amplification of REGN from 2 to 8.5 times.

VRL 3	VRL 2	VRL 1	VRL 0	VREG2OUT Voltage	VRL 3	VRL 2	VRL 1	VRL 0	VREG2OUT Voltage
0	0	0	0	-(Vci – REGN) X 3.0	1	0	0	0	-(Vci – REGN) X 6.5
0	0	0	1	-(Vci – REGN) X 3.5	1	0	0	1	-(Vci – REGN) X 7.0
0	0	1	0	-(Vci – REGN) X 4.0	1	0	1	1	-(Vci – REGN) X 7.5
0	0	1	1	-(Vci – REGN) X 4.5	1	0	1	0	-(Vci – REGN) X 8.0
0	1	0	0	-(Vci – REGN) X 5.0	1	1	0	1	-(Vci – REGN) X 8.5
0	1	0	1	-(Vci – REGN) X 5.5	1	1	0	0	-(Vci – REGN) X 9.0
0	1	1	0	-(Vci – REGN) X 6.0	1	1	1	0	-(Vci – REGN) X 9.5
0	1	1	1	Stopped	1	1	1	1	Stopped

**Note:**

- 1) These settings apply when the internal reference-voltage generation circuit is stopped and the VREG2OUT voltage is generated specifying REGN as the reference voltage.
- 2) Adjust the settings between the voltage set by (Vci – VC2-0) or the (Vci – REGN) voltage and VRL0 to VRL3 so that the VREG2OUT voltage is higher than –16.0 V.
- 3) The VREG2OUT voltage is the factor when Vci is the reference voltage.

**Preliminary**

**PON:** This is an operation-starting bit for the booster circuit 4. PON = 0 is to stop and PON = 1 to start operation. For further information about timing for adjusting to the PON = 1, please refer to the set up flow of power supply circuit.

**VRH3-0:** Set the amplified factor of the VREG1OUT voltage (the voltage for the reference voltage, VREG2 while generating VgoffOUT). It allows to amplify from 1.45 to 2.85 times of REGN input voltage.

VRH 3	VRH 2	VRH 1	VRH 0	VREG1OUT Voltage	VRH 3	VRH 2	VRH 1	VRH 0	VREG1OUT Voltage
0	0	0	0	REGP X 1.45 times	1	0	0	0	REGP X 2.175 times
0	0	0	1	REGP X 1.55 times	1	0	0	1	REGP X 2.325 times
0	0	1	0	REGP X 1.65 times	1	0	1	1	REGP X 2.475 times
0	0	1	1	REGP X 1.75 times	1	0	1	0	REGP X 2.625 times
0	1	0	0	REGP X 1.80 times	1	1	0	1	REGP X 2.700 times
0	1	0	1	REGP X 1.85 times	1	1	0	0	REGP X 2.775 times
0	1	1	0	REGP X 1.90 times	1	1	1	0	REGP X 2.850 times
0	1	1	1	Stopped	1	1	1	1	Stopped

**Note:**

- 1) These settings apply when the internal reference-voltage generation circuit is stopped and the VREG1OUT voltage is generated specifying REGP as the reference voltage.
- 2) Adjust the settings between the voltage set by VC2-0 or the REGP voltage and VRH0 to VRH3 so that the VREG1OUT voltage is lower than 5.0 V.

**VCOMG:** When VCOMG = 1, VcomL voltage can output to negative voltage (-5V).

When VCOMG = 0, VcomL voltage becomes VSS and stops the amplifier of the negative voltage. Therefore, low power consumption is accomplished. Also, When VCOMG = 0 and when Vcom is driven in A/C, set up of the VDV4-0 is invalid. In this case, adjustment of Vcom/Vgoff A/C oscillation must be adjusted VcomH with VCM4-0.

**VDV4-0:** Set the alternating amplitudes of Vcom and Vgoff at the Vcom alternating drive. These bits amplify Vcom and Vgoff 0.6 to 1.23 times the VREG1 voltage. When the Vcom alternation is not driven, the settings become invalid.

VDV 4	VDV 3	VDV 2	VDV 1	VDV 0	Vcom Amplitude	VDV 4	VDV 3	VDV 2	VDV 1	VDV 0	Vcom Amplitude
0	0	0	0	0	VREG1 X 0.60	1	0	0	0	1	VREG1 X 1.08
0	0	0	0	1	VREG1 X 0.63	1	0	0	1	0	VREG1 X 1.11
0	0	0	1	0	VREG1 X 0.66	1	0	0	1	1	VREG1 X 1.14
:	:	:	:	:	:	1	0	1	0	0	VREG1 X 1.17
0	1	1	0	0	VREG1 X 0.96	1	0	1	0	1	VREG1 X 1.20
0	1	1	0	1	VREG1 X 0.99	1	0	1	1	0	VREG1 X 1.23
0	1	1	1	0	VREG1 X 1.02	1	0	1	1	1	Setting disabled
0	1	1	1	1	Setting disabled	1	1	*	*	*	Setting disabled
1	0	0	0	0	VREG1 X 1.05						

**Note:** Adjust the settings between VREG1 and VDV0 to VDV4 so that the Vcom and Vgoff amplitudes are lower than 6.0 V.

**Preliminary**

**VC4-0:** Set the VcomH voltage (a high-level voltage at the Vcom alternating drive). These bits amplify the VcomH voltage 0.4 to 0.98 times the VREG1 voltage. When VCOM4-0 = 1, the adjustment of the internal volume stops, and VcomH can be adjusted from VcomR by an external resistor.

VC4	VC3	VC2	VC1	VC0	VcomH Voltage
0	0	0	0	0	VREG1 X 0.40 times
0	0	0	0	1	VREG1 X 0.42 times
0	0	0	1	0	VREG1 X 0.44 times
:	:	:	:	:	:
0	1	1	0	0	VREG1 X 0.64 times
0	1	1	0	1	VREG1 X 0.66 times
0	1	1	1	0	VREG1 X 0.68 times
0	1	1	1	1	The internal volume stops and VcomH can be adjusted from VcomR by an external variable resistor.
1	0	0	0	0	VREG1 X 0.70 times
1	0	0	0	1	VREG1 X 0.72 times
1	0	0	1	0	VREG1 X 0.74 times
:	:	:	:	:	:
1	1	1	0	0	VREG1 X 0.94 times
1	1	1	0	1	VREG1 X 0.96 times
1	1	1	1	0	VREG1 X 0.98 times
1	1	1	1	1	The internal volume stops, and VcomH can be adjusted from VcomR by an external variable resistor.

**Note:** Adjust the settings between VREG1 and VCM0 to VCM4 so that the VcomH voltage is lower than GVDD.

**RAM Address Set (R21h)**

R/W	RS	DB15	DB14	DB13	DB12	DB11	DB10	DB9	DB8	DB7	DB6	DB5	DB4	DB3	DB2	DB1	DB0
W	1	AD15	AD14	AD13	AD12	AD11	AD10	AD9	AD8	AD7	AD6	AD5	AD4	AD3	AD2	AD1	AD0

**AD15–0:** Initially set GRAM addresses to the address counter (AC). Once the GRAM data is written, the AC is automatically updated according to the AM and I/D bit settings. This allows consecutive accesses without resetting address. Once the GRAM data is read, the AC is not automatically updated. GRAM address setting is not allowed in the standby mode. Ensure that the address is set within the specified window address

When RGB interface is in use (RM=1), AD15-0 will be set at the falling edge of the VSYNC signal.

When the internal clock operation and VSYNC interface (RM=1) are in use, AD15-0 will be set upon execution of an instruction.

AD15 to AD0	GRAM setting
"0000H" to "0083" H	Bitmap data for G1
"0100H" to "0183" H	Bitmap data for G2
"0200H" to "0283" H	Bitmap data for G3
"0300H" to "0383" H	Bitmap data for G4
⋮	⋮
⋮	⋮
⋮	⋮
"AC00H" to "AC83" H	Bitmap data for G173
"AD00H" to "AD83" H	Bitmap data for G174
"AE00H" to "AE83" H	Bitmap data for G175
"AF00H" to "AF83" H	Bitmap data for G176

*Preliminary*

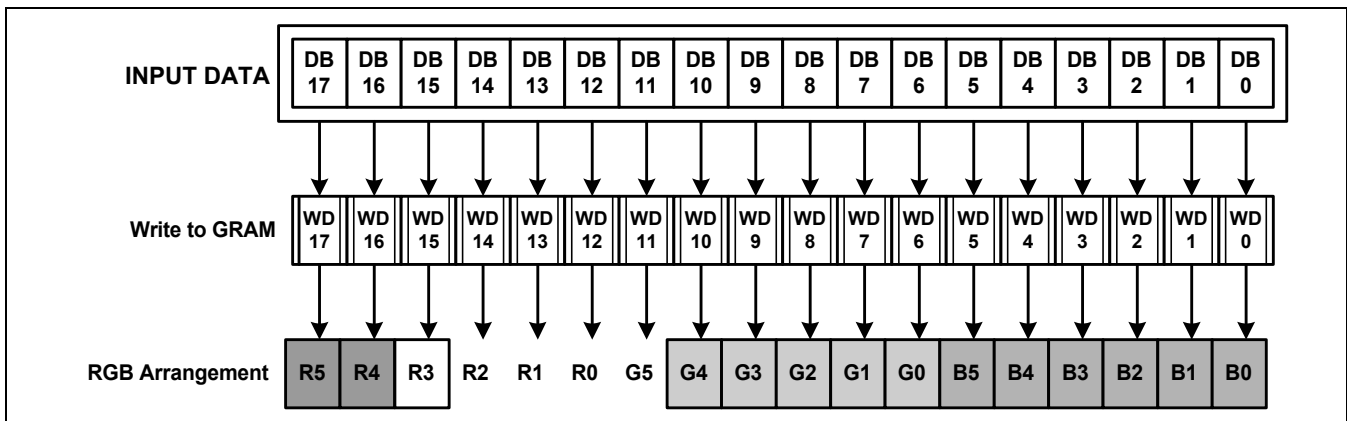
**Write Data to Gram (R22h)**

R/W	RS	DB15	DB14	DB13	DB12	DB11	DB10	DB9	DB8	DB7	DB6	DB5	DB4	DB3	DB2	DB1	DB0
W	1	RAM write data (WD17-0): Pin assignment varies according to the interface method. (see the following figure for more information)															
W	1	WD15	WD14	WD13	WD12	WD11	WD10	WD9	WD8	WD7	WD6	WD5	WD4	WD3	WD2	WD1	WD0
When RGB-interface																	

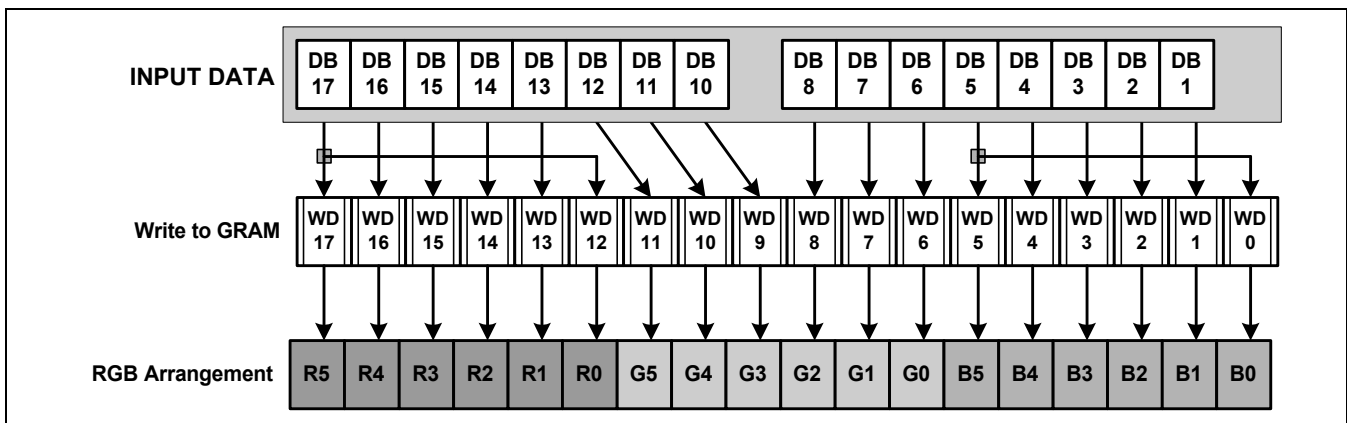
**WD17-0:** Input data for GRAM can be expanded to 18 bits. The expansion format varies according to the interface method. The input data selects the grayscale level. After a write, the address is automatically updated according to AM and I/D bit settings. The GRAM cannot be accessed in standby mode. When 16- or 8-bit interface is in use, the write data is expanded to 18 bits by writing the MSB of the <R><B> data to its LSB.

When data is written to RAM used by RGB interface via the system interface, please make sure that write data conflicts do not occur.

When the 18-bit RGB interface is in use, 18-bit data is written to RAM via PD17-0 and 262,144-colors are available. When the 16-bit RGB interface is in use, the MSB is written to its LSB and 65,536-colors are available



**Figure 11. 18-bit System interface (260K-color)**



**Figure 12. 16-bit System interface (65K-color)**

*Preliminary*

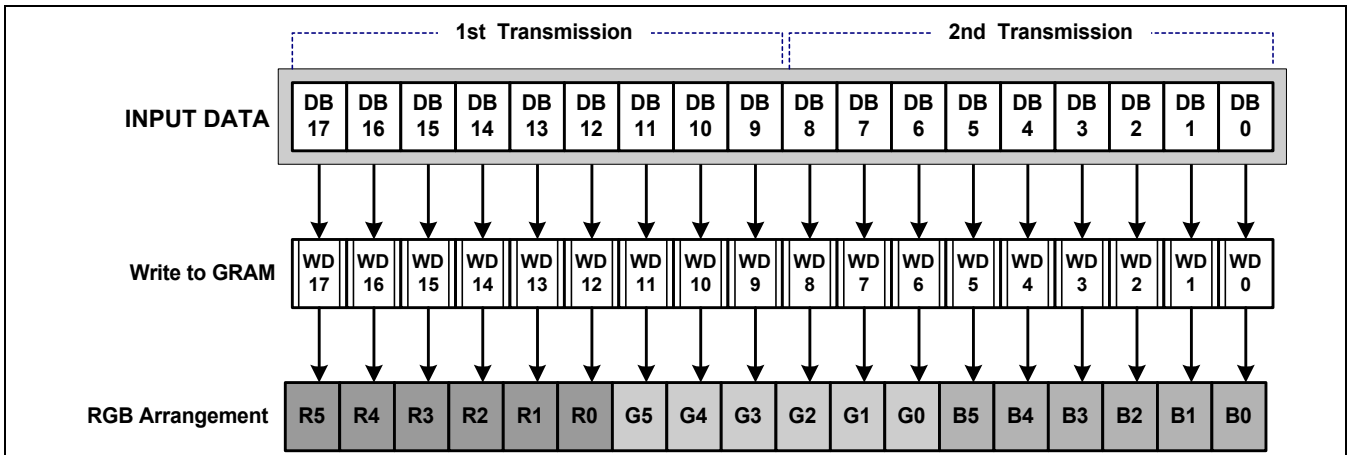


Figure 13. 9-bit System interface (260K-color)

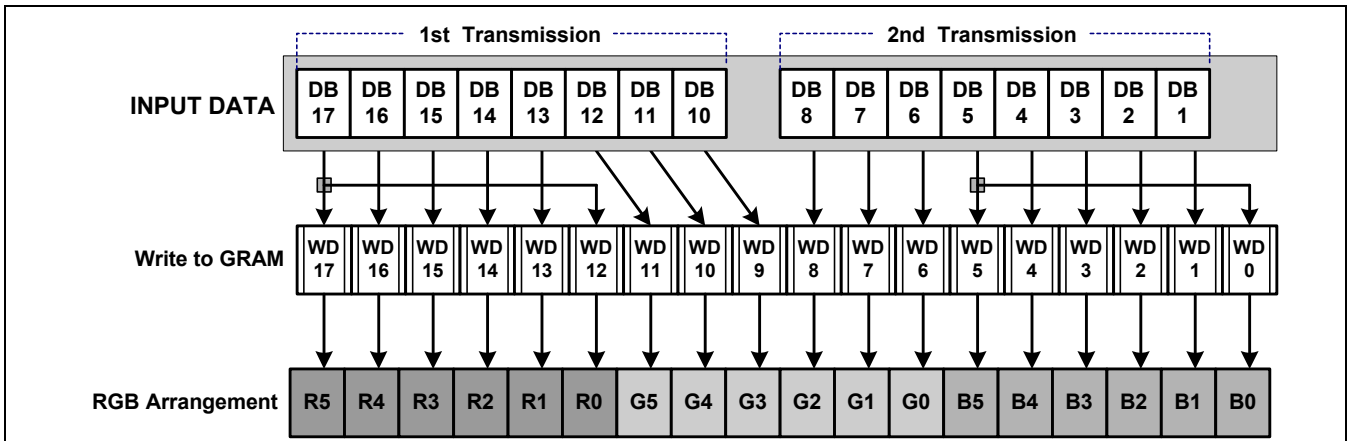


Figure 14. 8-bit System interface (65K-color)

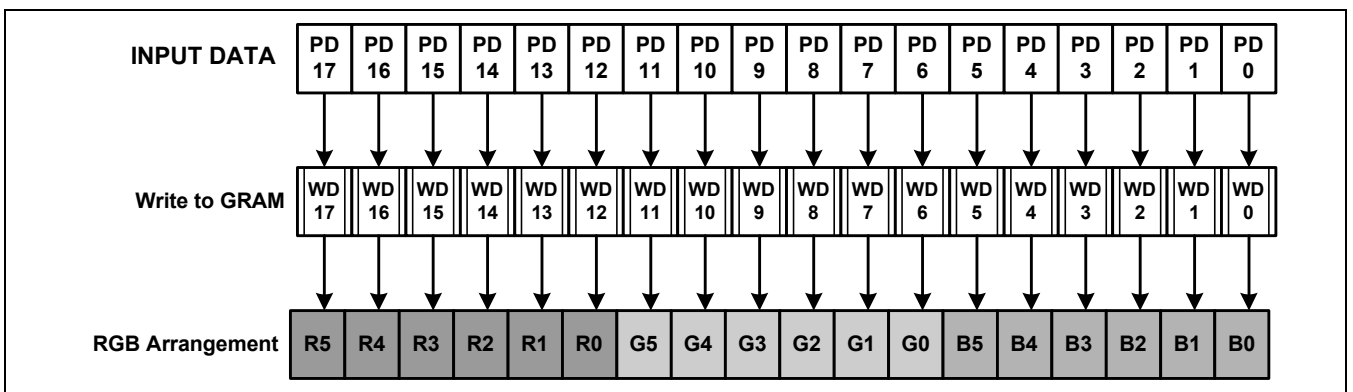


Figure 15. 18-bit RGB interface (260K-color)

Preliminary

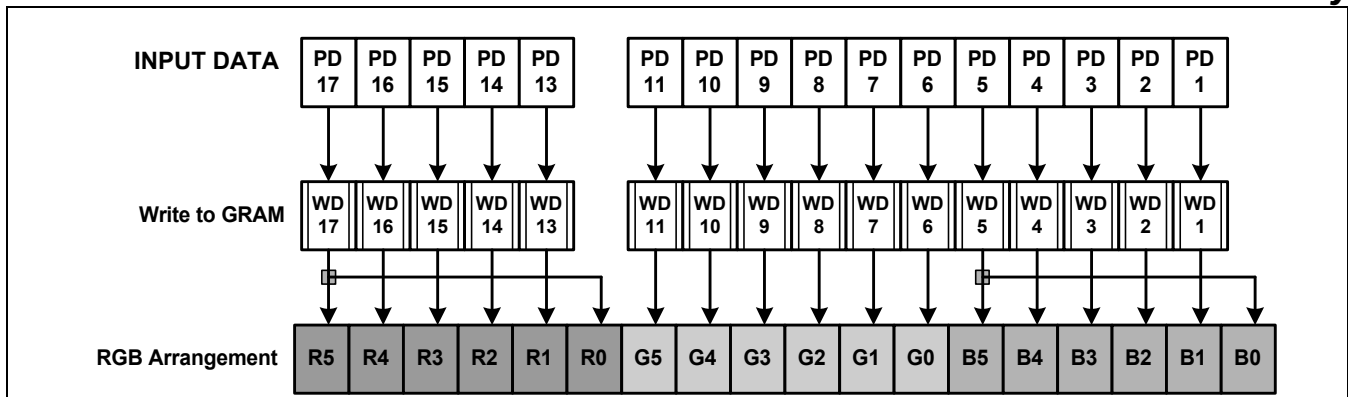


Figure 16. 16-bit RGB interface (65K-color)

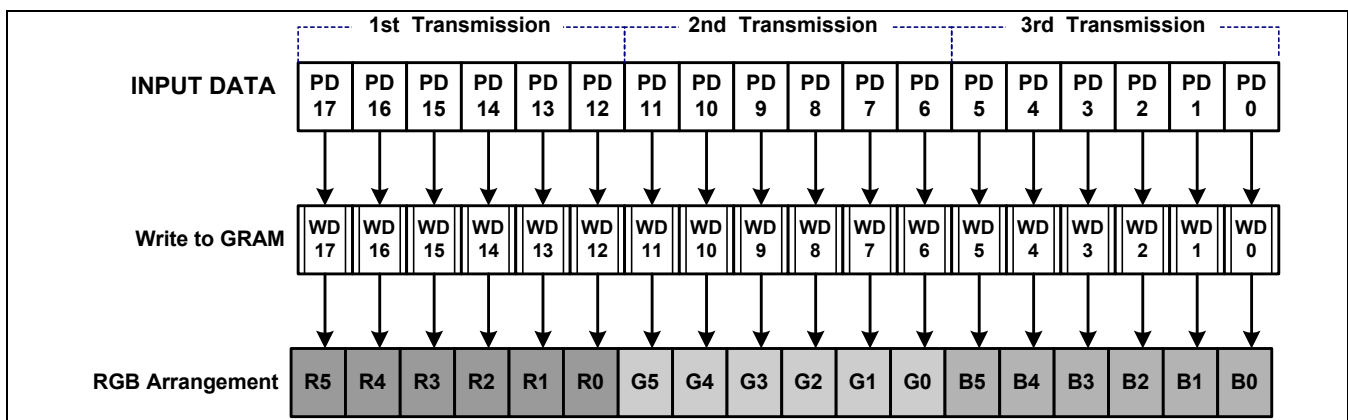


Figure 17. 6-bit RGB interface (260K-color)

Table 23. GRAM Data and Grayscale Level

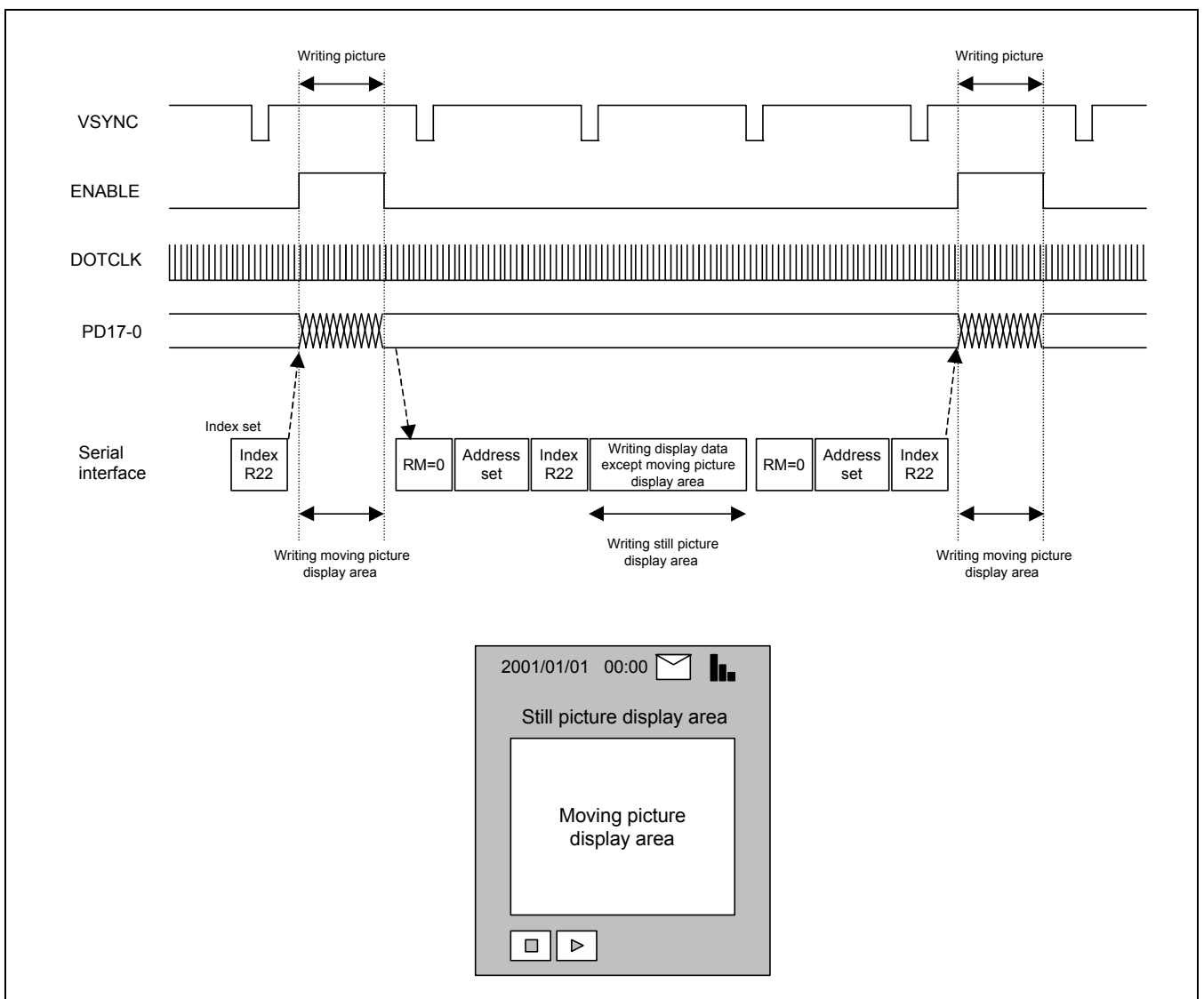
GRAM data	Grayscale Polarity		GRAM Data	Grayscale Polarity		GRAM Data	Grayscale Polarity		GRAM Data	Grayscale Polarity	
	RGB	N		P	RGB		N	P		RGB	N
000000	V0	V63	010000	V16	V47	100000	V32	V31	110000	V48	V15
000001	V1	V62	010001	V17	V46	100001	V33	V30	110001	V49	V14
000010	V2	V61	010010	V18	V45	100010	V34	V29	110010	V50	V13
000011	V3	V60	010011	V19	V44	100011	V35	V28	110011	V51	V12
000100	V4	V59	010100	V20	V43	100100	V36	V27	110100	V52	V11
000101	V5	V58	010101	V21	V42	100101	V37	V26	110101	V53	V10
000110	V6	V57	010110	V22	V41	100110	V38	V25	110110	V54	V9
000110	V7	V56	010110	V23	V40	100110	V39	V24	110110	V55	V8
001000	V8	V55	011000	V24	V39	101000	V40	V23	111000	V56	V7
001001	V9	V54	011001	V25	V38	101001	V41	V22	111001	V57	V6
001010	V10	V53	011010	V26	V37	101010	V42	V21	111010	V58	V5
001011	V11	V52	011011	V27	V36	101011	V43	V20	111011	V59	V4
001100	V12	V51	011000	V28	V35	101100	V44	V19	111100	V60	V3
001101	V13	V50	011001	V29	V34	101101	V45	V18	111101	V61	V2
001100	V14	V49	011010	V30	V33	101100	V46	V17	111110	V62	V1
001101	V15	V48	011011	V31	V32	101101	V47	V16	111111	V63	V0



**RAM ACCESS via RGB INTERFACE & SYSTEM INTERFACE**

All the data for display is written to the internal RAM in the S6D0114 when RGB interface is in use. In this method, data, including that in both the motion picture area and the screen update frame, can only be transferred via RGB interface. In addition to using the high-speed write mode (HWM = 1) and the window address function, the power consumption can be reduced and high-speed access can be achieved while motion pictures are being displayed. Data for display that is not in the motion picture area or the screen update frame can be written via the system interface.

RAM can be accessed via the system interface when RGB interface is in use. When data is written to RAM during RGB interface mode, the ENABLE bit should be low to stop data writing via RGB interface, because RAM writing is always performed in synchronization with the DOTCLK input when ENABLE is high. After this RAM access via the system interface, a waiting time is needed for a write/read bus cycle before the next RAM access starts via RGB interface. When a RAM write conflict occurs, data writing is not guaranteed.



**Figure 18. RAM access via RGB Interface & System Interface**

*Preliminary*

**Read Data from GRAM (R22h)**

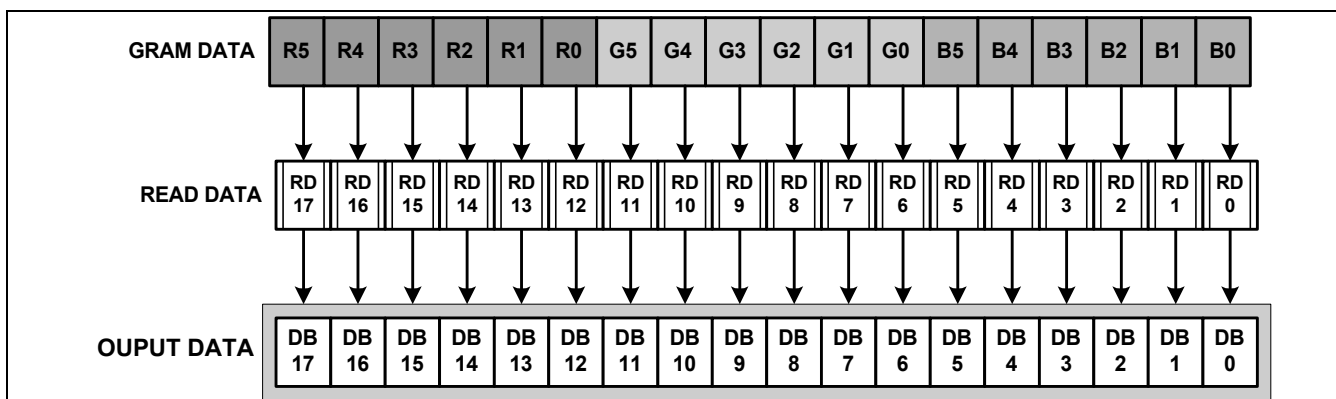
R/W	RS	DB15	DB14	DB13	DB12	DB11	DB10	DB9	DB8	DB7	DB6	DB5	DB4	DB3	DB2	DB1	DB0
R	1	RAM Read data (RD17-0): Pin assignment varies according to the interface method. (see the following figure for more information)															

**RD17-0:** Read 18-bit data from the GRAM. When the data is read to the MCU, the first-word read immediately after the GRAM address setting is latched from the GRAM to the internal read-data latch. The data on the data bus (DB15-0) becomes invalid and the second-word read is normal.

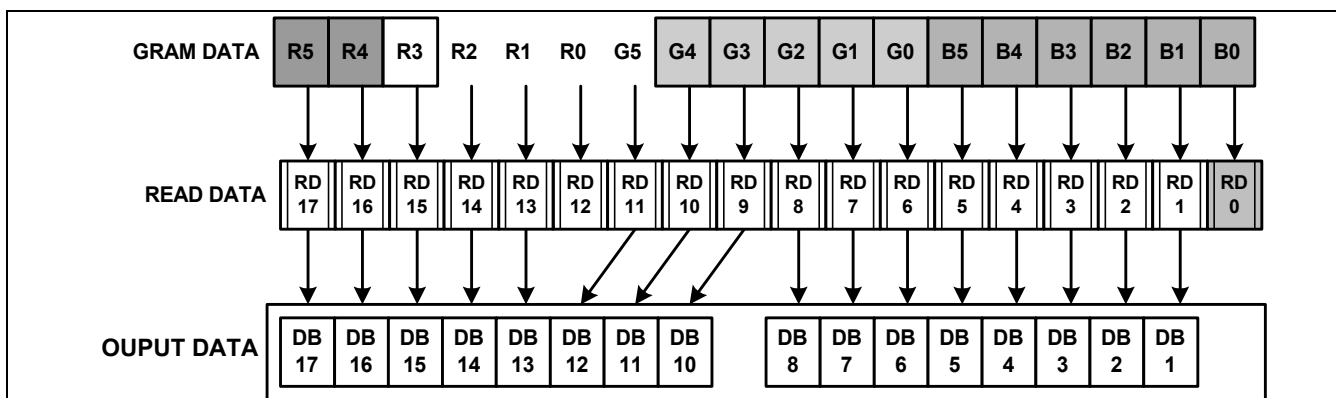
When bit processing, such as a logical operation, is performed within the S6D0114, only one read can be processed since the latched data in the first word is used.

In case of 16-/8-bit interface, the LSB of <R><B> color data will not be read.

This function is not available in RGB interface mode.



**Figure 19. 18-bit System Interface for GRAM read**



**Figure 20. 16-bit System Interface for GRAM read**

*Preliminary*

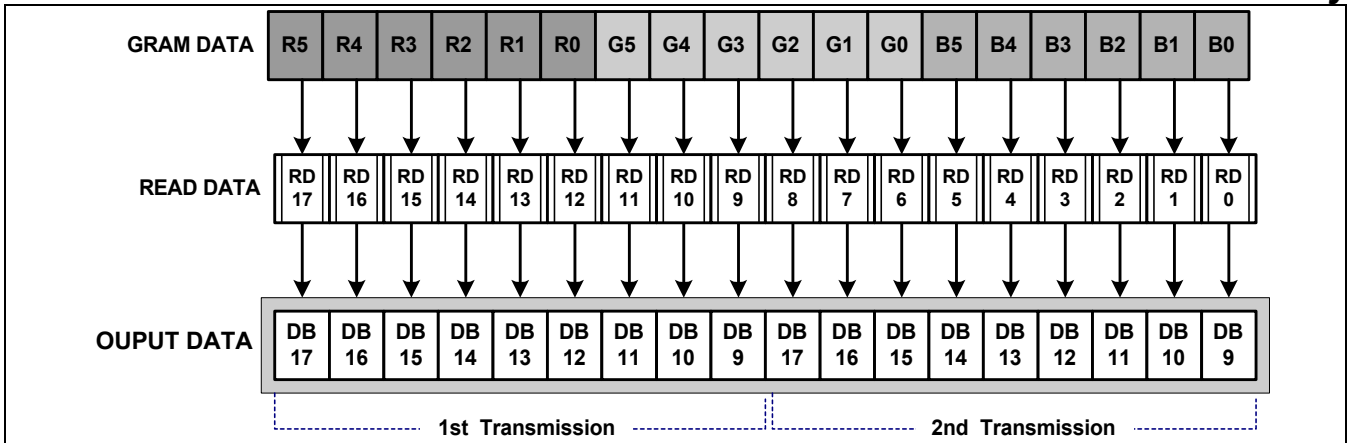


Figure 21. 9-bit System Interface for GRAM read

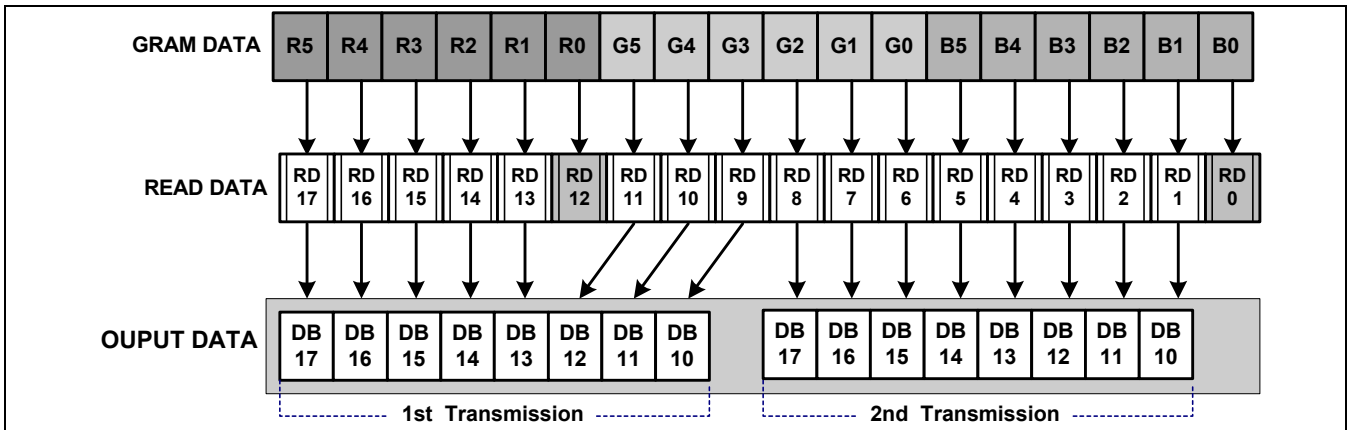
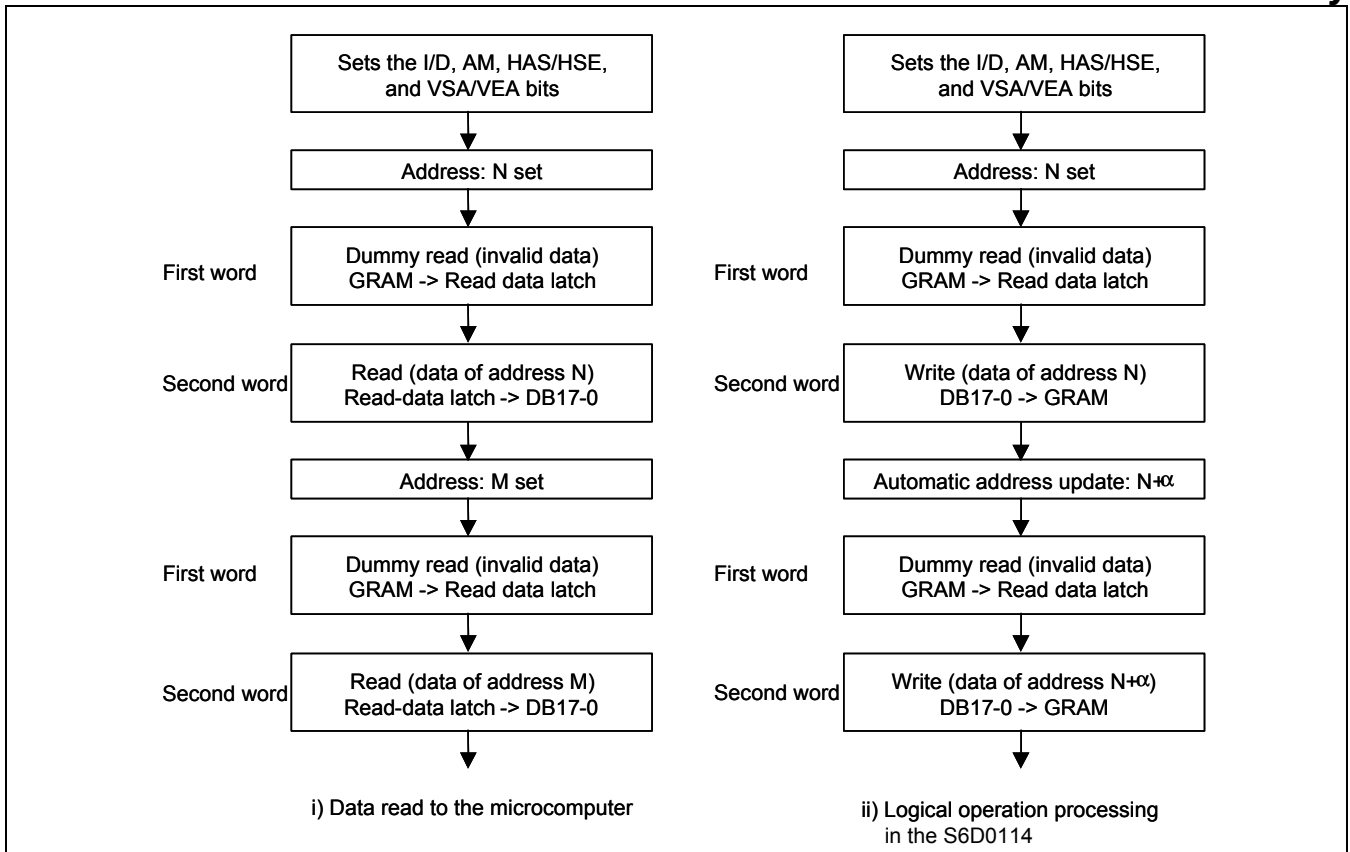


Figure 22. 8-bit System Interface for GRAM read

*Preliminary*



**Figure 23. GRAM read sequence**

RAM Write Data Mask 1 (R23h)

RAM Write Data Mask 2 (R24h)

R/W	RS	DB15	DB14	DB13	DB12	DB11	DB10	DB9	DB8	DB7	DB6	DB5	DB4	DB3	DB2	DB1	DB0
W	1	0	0	WM11	WM10	WM9	WM8	WM7	WM6	0	0	WM5	WM4	WM3	WM2	WM1	WM0
W	1	0	0	0	0	0	0	0	0	0	0	WM17	WM16	WM15	WM14	WM13	WM12

**WM17-0:** In writing to the GRAM, these bits mask writing in a bit unit. When WM17 = 1, this bit masks the write data of DB15 and does not write to the GRAM. Similarly, the WM14 to 0 bits mask the write data of DB14 to 0 in a bit unit. For details, see the Graphics Operation Function section.

Please make sure the write data to GRAM (18-bit) is masked.  
 When 8-/16-bit interface is in use, the LSB of <R><B> write data will not be read.  
 When RGB interface is in use, this function is not available.

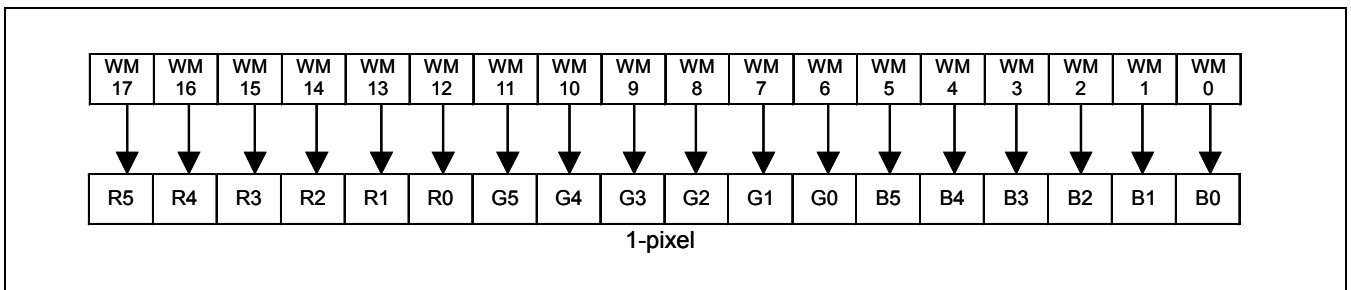


Figure 24. Write Mask and RAM Write Data

*Preliminary***Gamma Control (R30h to R37h)**

R/W	RS	DB15	DB14	DB13	DB12	DB11	DB10	DB9	DB8	DB7	DB6	DB5	DB4	DB3	DB2	DB1	DB0
W	1	0	0	0	0	0	PKP 12	PKP 11	PKP 10	0	0	0	0	0	PKP 02	PKP 01	PKP 00
W	1	0	0	0	0	0	PKP 32	PKP 31	PKP 30	0	0	0	0	0	PKP 22	PKP 21	PKP 20
W	1	0	0	0	0	0	PKP 52	PKP 51	PKP 50	0	0	0	0	0	PKP 42	PKP 41	PKP 40
W	1	0	0	0	0	0	PRP 12	PRP 11	PRP 10	0	0	0	0	0	PRP 02	PRP 01	PRP 00
W	1	0	0	0	0	0	PKN 12	PKN 11	PKN 10	0	0	0	0	0	PKN 02	PKN 01	PKN 00
W	1	0	0	0	0	0	PKN 32	PKN 31	PKN 30	0	0	0	0	0	PKN 22	PKN 21	PKN 20
W	1	0	0	0	0	0	PKN 52	PKN 51	PKN 50	0	0	0	0	0	PKN 42	PKN 41	PKN 40
W	1	0	0	0	0	0	PRN 12	PRN 11	PRN 10	0	0	0	0	0	PRN 02	PRN 01	PRN 00

**PKP52-00:** The gamma fine adjustment register for the positive polarity output

**PRP12-00:** The gradient adjustment register for the positive polarity output

**PKN52-00:** The gamma fine adjustment register for the negative polarity output

**PRN12-00:** The gradient adjustment register for the negative polarity output

For details, see the Gamma Adjustment Function.

Gate Scan Position (R40h)

R/W	RS	DB15	DB14	DB13	DB12	DB11	DB10	DB9	DB8	DB7	DB6	DB5	DB4	DB3	DB2	DB1	DB0
W	1	0	0	0	0	0	0	0	0	0	0	0	SCN4	SCN3	SCN2	SCN1	SCN0

SCN 4-0: Set the scanning starting position of the gate driver.

SCN4	SCN3	SCN2	SCN1	SCN0	Scanning start position	
					GS=0	GS=1
0	0	0	0	0	G1	G176
0	0	0	0	1	G9	G168
0	0	0	1	0	G17	G160
:	:	:	:	:	:	:
:	:	:	:	:	:	:
1	0	0	1	1	G153	G24
1	0	1	0	0	G161	G16
1	0	1	0	1	G169	G8

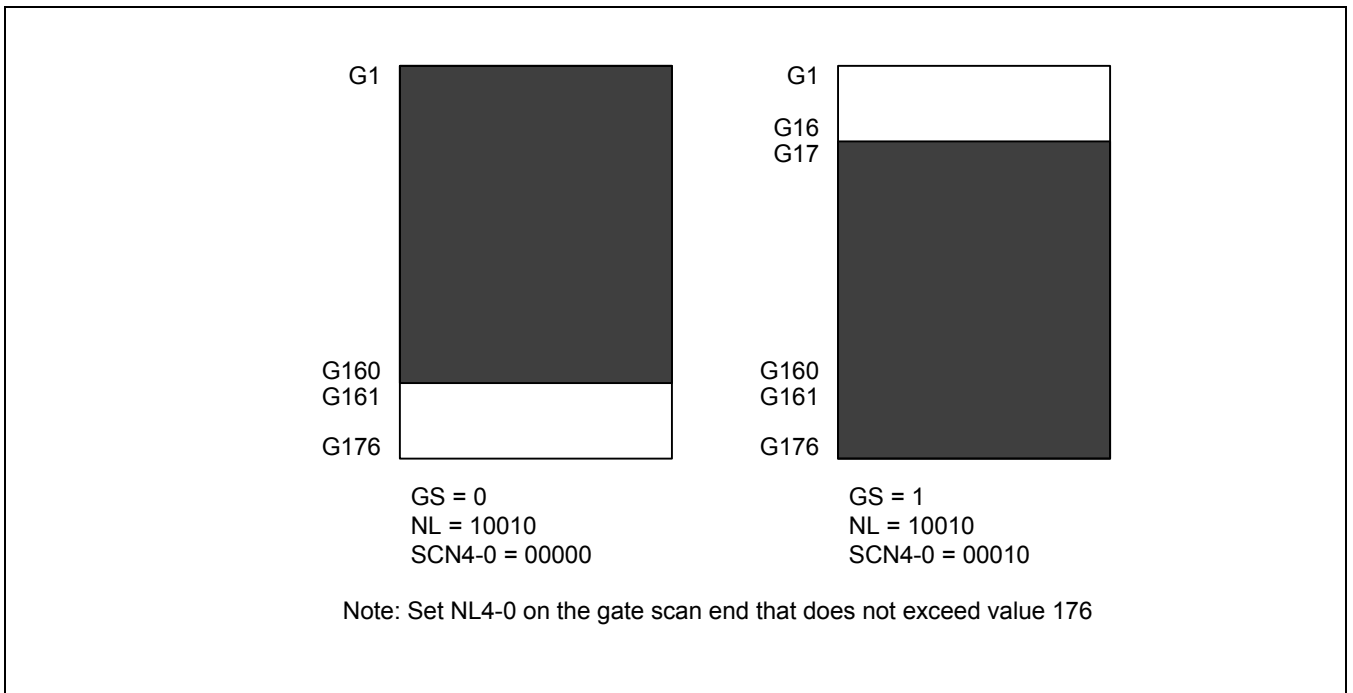


Figure 25. Relationship between NL and SCN set up value

**Preliminary****Vertical Scroll Control (R41h)**

R/W	RS	DB15	DB14	DB13	DB12	DB11	DB10	DB9	DB8	DB7	DB6	DB5	DB4	DB3	DB2	DB1	DB0
W	1	0	0	0	0	0	0	0	0	VL7	VL6	VL5	VL4	VL3	VL2	VL1	VL0

**VL7-0:** Specify scroll length at the scroll display for vertical smooth scrolling. Any raster-row from the first to 176<sup>th</sup> can be scrolled for the number of the raster-row. After 176<sup>th</sup> raster-row is displayed, the display restarts from the first raster-row. The display-start raster-row (VL7-0) is valid when VLE1 = 1 or VLE2 = 1. The raster-row display is fixed when VLE2-1 = 00.

VL7	VL6	VL5	VL4	VL3	VL2	VL1	VL0	Scroll length
0	0	0	0	0	0	0	0	0 raster-row
0	0	0	0	0	0	0	1	1 raster-row
0	0	0	0	0	0	1	0	2 raster-row
								⋮
								⋮
								⋮
1	0	1	0	1	1	1	0	174 raster-row
1	0	1	0	1	1	1	1	175 raster-row

**Note:** Don't set any higher raster-row than 175 ("AF" H)

**1<sup>st</sup> Screen Driving Position (R42h)****2<sup>nd</sup> Screen Driving Position (R43h)**

R/W	RS	DB15	DB14	DB13	DB12	DB11	DB10	DB9	DB8	DB7	DB6	DB5	DB4	DB3	DB2	DB1	DB0
W	1	SE17	SE16	SE15	SE14	SE13	SE12	SE11	SE10	SS17	SS16	SS15	SS14	SS13	SS12	SS11	SS10
W	1	SE27	SE26	SE25	SE24	SE23	SE22	SE21	SE20	SS27	SS26	SS25	SS24	SS23	SS22	SS21	SS20

**SS17-10:** Specify the driving start position for the first screen in a line unit. The LCD driving starts from the 'set value + 1' gate driver.

**SE17-10:** Specify the driving end position for the first screen in a line unit. The LCD driving is performed to the 'set value + 1' gate driver. For instance, when SS17-10 = 07h and SE17-10 = 10h are set, the LCD driving is performed from G8 to G17, and non-display driving is performed for G1 to G7, G18, and others. Ensure that SS17-10 ≤ SE17-10 ≤ AFh. For details, see the Screen-division Driving Function section.

**SS27-10:** Specify the driving start position for the second screen in a line unit. The LCD driving starts from the 'set value + 1' gate driver. The second screen is driven when SPT = 1.

**SE27-20:** Specify the driving end position for the second screen in a line unit. The LCD driving is performed to the 'set value + 1' gate driver. For instance, when SPT = 1, SS27-20 = 20h, and SE27-20 = AFh are set, the LCD driving is performed from G33 to G80. Ensure that SS17-10 ≤ SE17-10 ≤ SS27-20 ≤ SE27-20 ≤ AFh. For details, see the Screen-division Driving Function section.

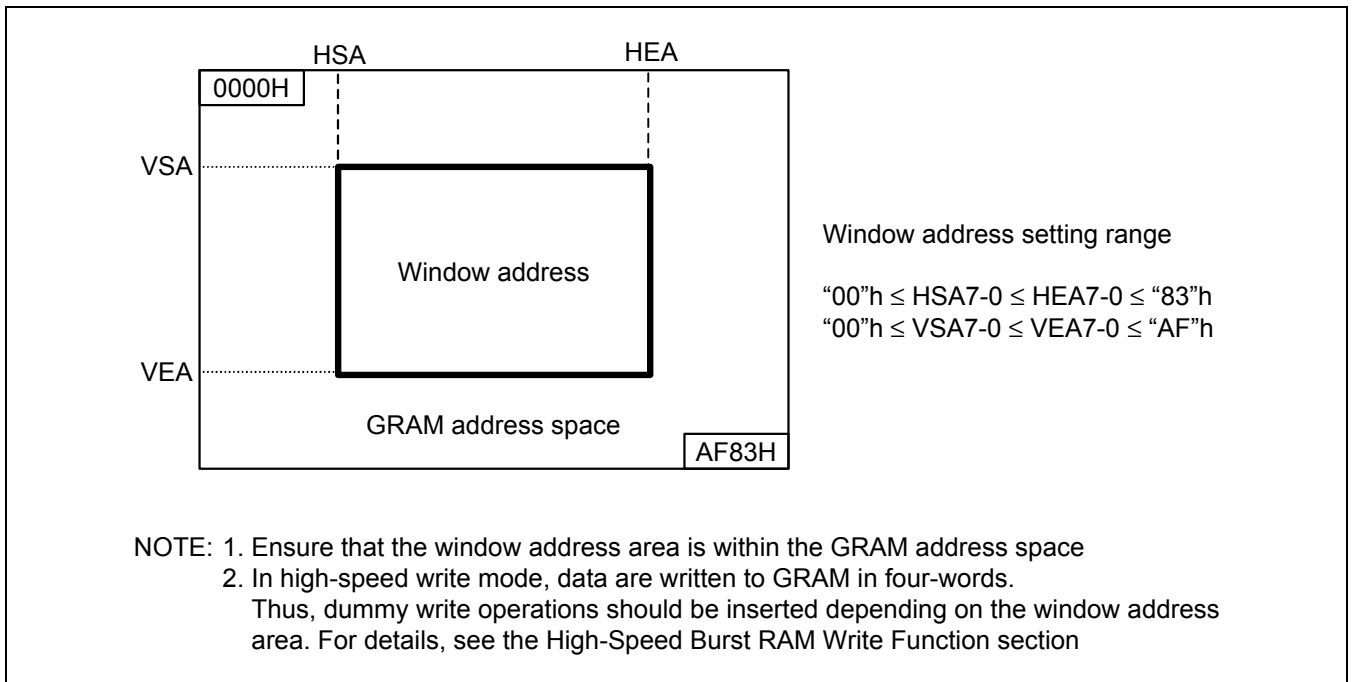


**Horizontal RAM Address Position (R16h)****Vertical RAM Address Position (R17h)**

R/W	RS	DB15	DB14	DB13	DB12	DB11	DB10	DB9	DB8	DB7	DB6	DB5	DB4	DB3	DB2	DB1	DB0
W	1	HEA 7	HEA 6	HEA 5	HEA 4	HEA 3	HEA 2	HEA 1	HEA 0	HSA 7	HSA 6	HSA 5	HSA 4	HSA 3	HSA 2	HSA 1	HSA 0
W	1	VEA 7	VEA 6	VEA 5	VEA 4	VEA 3	VEA 2	VEA 1	VEA 0	VSA 7	VSA 6	VSA 5	VSA 4	VSA 3	VSA 2	VSA 1	VSA 0

**HSA7-0/HEA7-0:** Specify the horizontal start/end positions of a window for access in memory. Data can be written to the GRAM from the address specified by HEA 7-0 from the address specified by HSA7-0. Note that an address must be set before RAM is written. Ensure  $00h \leq HSA7-0 \leq HEA7-0 \leq 83h$ .

**VSA7-0/VEA7-0:** Specify the vertical start/end positions of a window for access in memory. Data can be written to the GRAM from the address specified by VEA7-0 from the address specified by VSA7-0. Note that an address must be set before RAM is written. Ensure  $00h \leq VSA7-0 \leq VEA7-0 \leq AFh$ .

**Figure 26. Window address setting range**

**Preliminary**

## RESET FUNCTION

The S6D0114 is internally initialized by RESET input. The reset input must be held for at least 1 ms. Do not access the GRAM or initially set the instructions until the R-C oscillation frequency is stable after power has been supplied (10 ms).

### Instruction Set Initialization

1. Start oscillation executed
2. Driver output control (NL4-0 = 10101, SS = 0, CS = 0, EPL=0)
3. LCD driving AC control (FLD1-0 = 01, B/C = 0, EOR = 0, NW5-0 = 00000)
4. Power control 1 (SAP2-0 = 000, BT2-0 = 000, DC2-0 = 000, AP2-0 = 000: LCD power off, SLP = 0, STB = 0: Standby mode off)
5. Power control 2 (CAD = 0, VRN4-0 = 00000, VRP4-0 = 00000)
6. Entry mode set (HWM = 0, I/D1-0 = 11: Increment by 1, AM = 0: Horizontal move, LG2-0 = 000: Replace mode, BGR=0)
7. Compare register (CP17-0: 00/0000/0000/0000/0000)
8. Display control 1 (PT1-0 = 00, VLE2-1 = 00: No vertical scroll, SPT = 0, GON = 0, DTE = 0, CL = 0: 260K-color mode, REV = 0, D1-0 = 00: Display off)
9. Display control 2 (FP3-0=0101, BP3-0=0011, BLP13-0=0010, BLP23-0=0010)
10. Frame cycle control (NO1-0 = 00, SDT1-0 = 00, EQ1-0 = 00: no equalization, DIV1-0 = 00: 1-divided clock, RTN3-0 = 0000: 16 clock cycle in 1H period)
11. External display interface (RIM1-0=00:18-bit RGB interface, DM1-0=00: operated by internal clock, RM=0: system interface)
12. Power control 3 (VC2-0 = 000)
13. Power control 4 (VRL3-0 = 0000, PON=0, VRH3-0 = 0000)
14. Power control 5 (VCOMG = 0, VDV4-0 = 00000, VCM4-0 = 00000)
15. RAM address set (AD15-0 = 0000h)
16. RAM write data mask (WM15-0 = 0000h: No mask)
17. Gamma control  
(PKP02-00 = 000, PKP12-10 = 000, PKP22-20 = 000, PKP32-30 = 000,  
PK42-40 = 000, PKP52-50 = 000, PRP02-00 = 000, PRP12-10 = 000)  
(PKN02-00 = 000, PKN12-10 = 000, PKN22-20 = 000, PKN32-30 = 000,  
PKN42-40 = 000, PKN52-50 = 000, PRN02-00 = 000, PRN12-10 = 000)
18. Gate scanning starting position (SCN4-0 = 00000)
19. Vertical scroll (VL7-0 = 0000000)
20. 1st screen division (SE17-10 = 11111111, SS17-10 = 00000000)
21. 2nd screen division (SE27-20 = 11111111, SS27-20 = 00000000)
22. Horizontal RAM address position (HEA7-0 = 10000011, HSA7-0 = 00000000)
23. Vertical RAM address position (VEA7-0 = 10101111, VSA7-0 = 00000000)

### GRAM Data Initialization

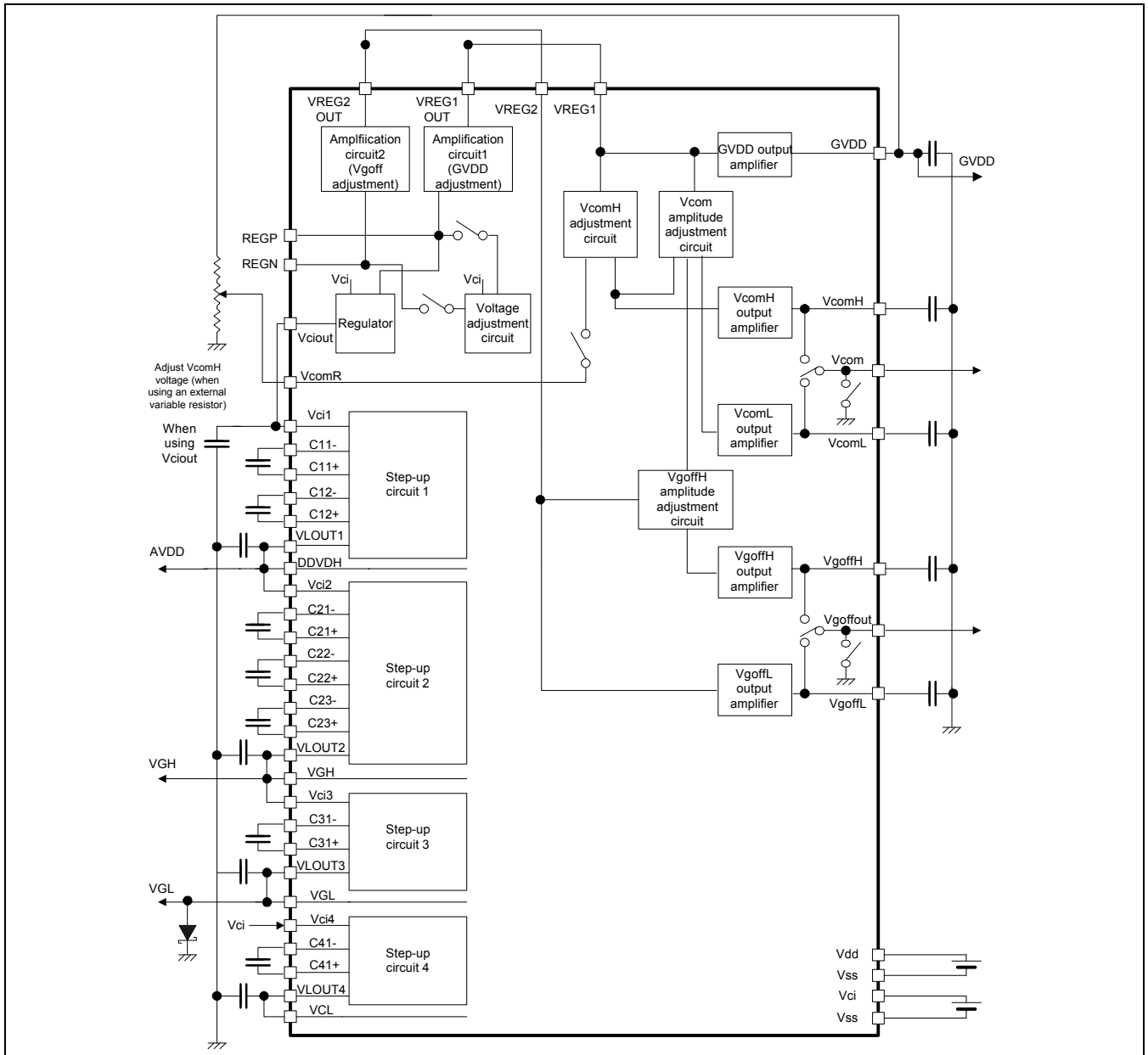
GRAM is not automatically initialized by reset input but must be initialized by software while display is off (D1-0 = 00).

### Output Pin Initialization

1. LCD driver output pins (Source output) : Output VSS level  
(Gate output) : Output Vgoff level
2. Oscillator output pin (OSC2): Outputs oscillation sign

*Preliminary***POWER SUPPLY CIRCUIT**

The following figure shows a configuration of the voltage generation circuit for S6D0114. The step-up circuits consist of step-up circuits 1 to 4. Step-up circuit1 doubles or triples the voltage supplied to Vci1, and that voltage is doubled, tripled, or quadrupled in step-up circuit2. Step-up circuit3 reverses the VGH level with reference to VSS or VBS and generates the VGL level. Step-up circuit 4 reverses the Vci level with reference to VSS and generates the VCL level. These step-up circuits generate power supplies AVDD, GVDD, VGH, VGL, Vgoff, and Vcom. Reference voltages GVDD, Vcom, and Vgoff for the grayscale voltage are amplified in amplification circuits 1 and 2 from the internal-voltage adjustment circuit or the REGP or REGN voltage, and generate each level depending on that voltage. Connect Vcom to the TFT panel.



**Figure 27. Configuration of the Internal Power-Supply Circuit**

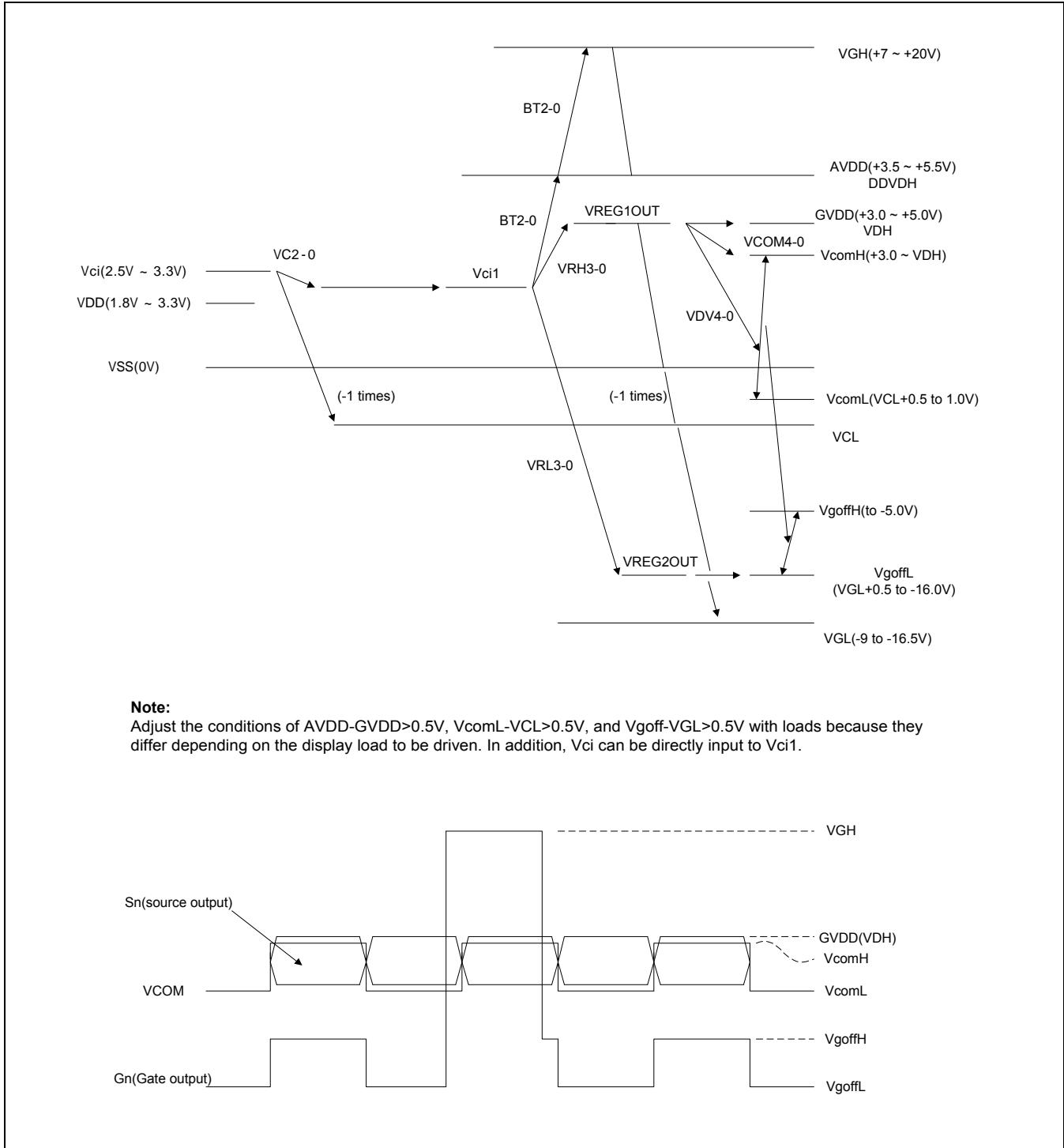
**Notes:**

Use the 1uF capacitor.

Preliminary

**PATTERN DIAGRAMS FOR VOLTAGE SETTING**

The following figure shows a pattern diagram for the voltage setting and an example of waveforms.



**Figure 28. Pattern diagram and an example of waveforms**

SET UP FLOW OF POWER SUPPLY

Apply the power in a sequence as shown in the following figure. The stable time of the oscillation circuit, step-up circuit, and operational amplifier depend on the external resistor or capacitance.

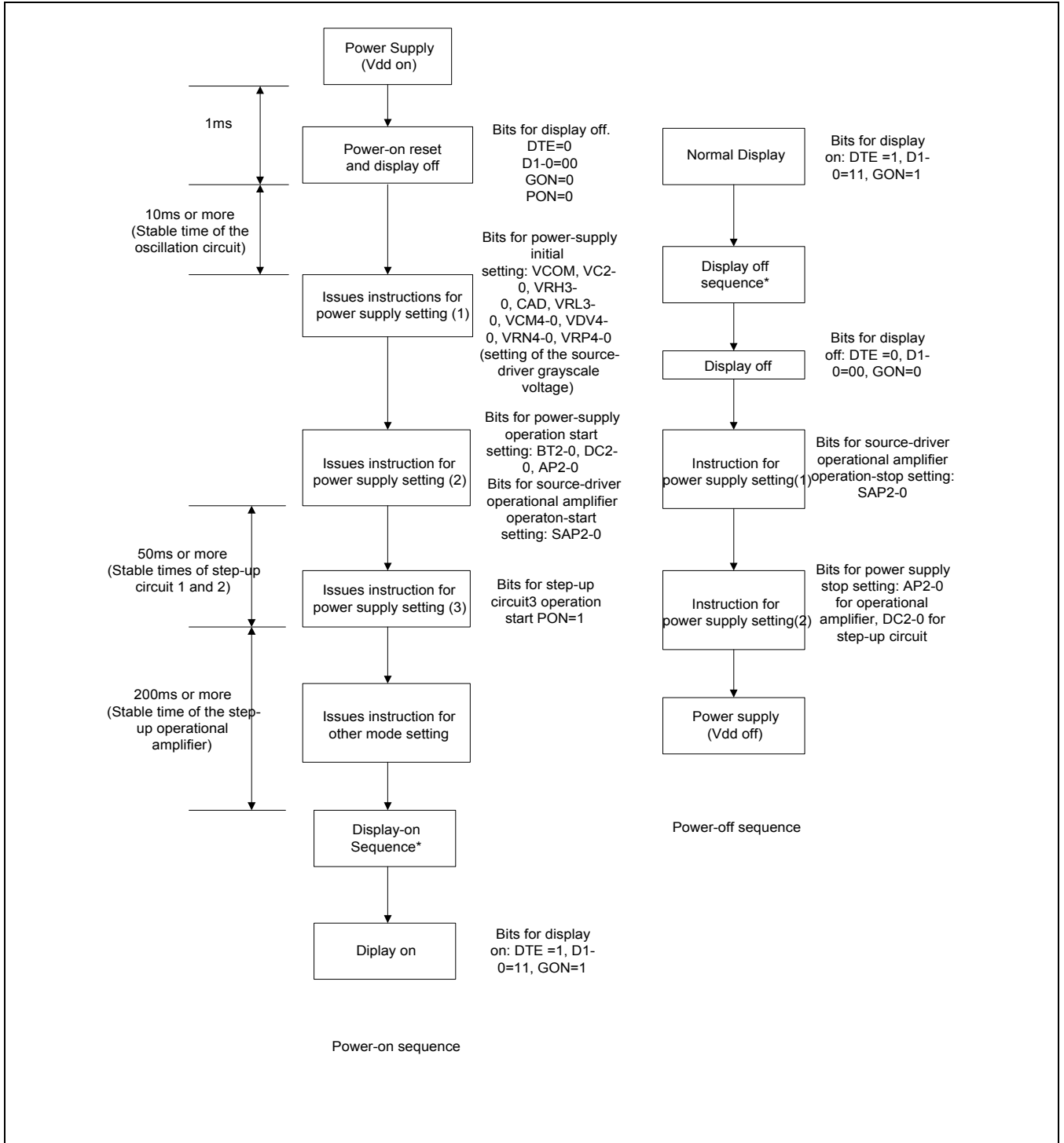
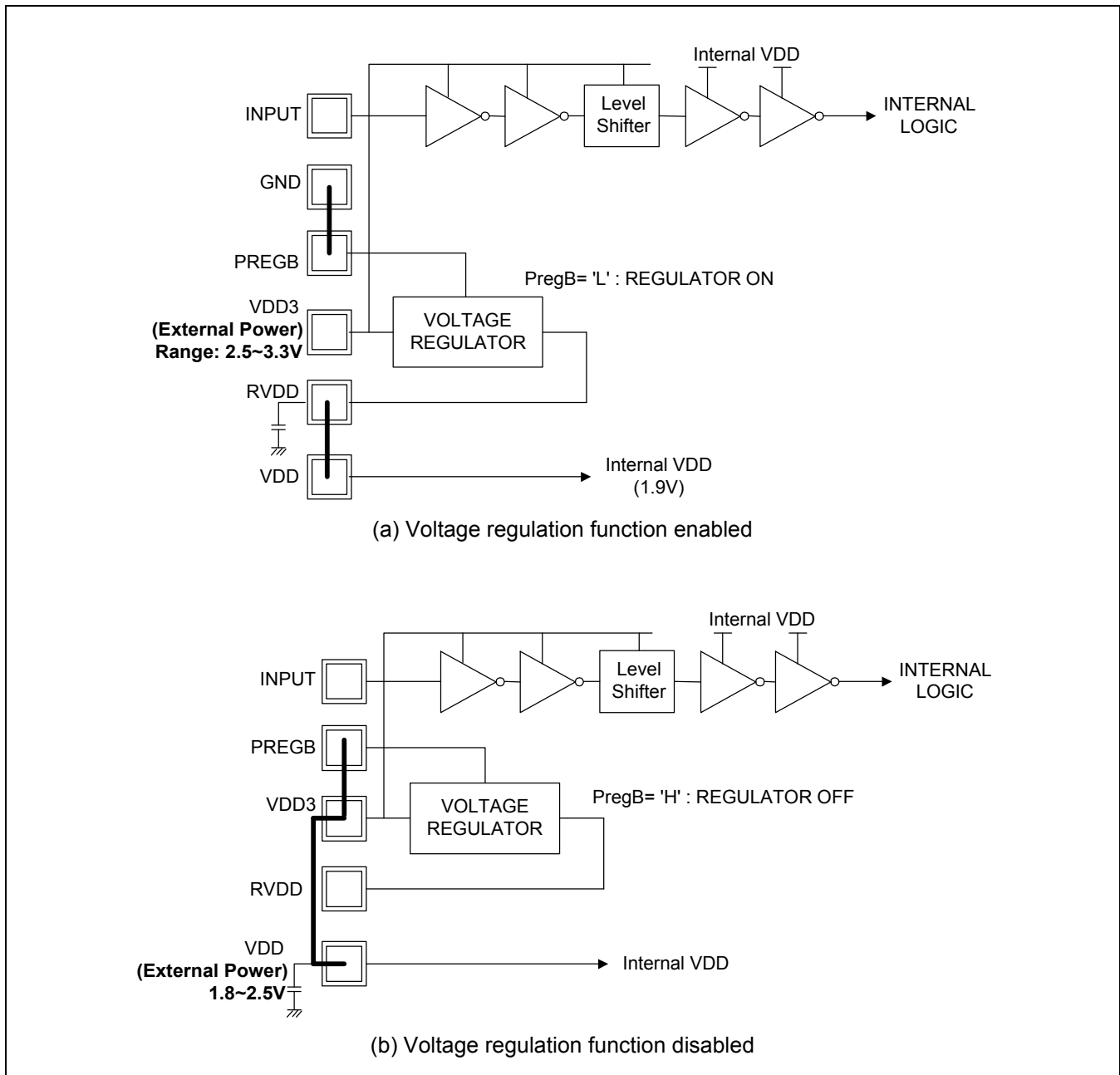


Figure 29. Set up Flow of Power Supply

*Preliminary***VOLTAGE REGULATION FUNCTION**

The S6D0114 have internal voltage regulator. Voltage regulation function is controlled by PregB pin. If PregB= "H", voltage regulation is stopped. PregB= "L" enables internal voltage regulation function. By use of this function, internal logic circuit damage can be prohibited. Furthermore, power consumption also be obtained. Detailed function description and application setup is described in the following diagram.

**Figure 30. Voltage regulation function**

**INTERFACE SPECIFICATION**

The S6D0114 incorporates a system interface, which is used to set instructions, and an external display interface, which is used to display motion pictures. Selecting these interfaces to match the screen data (motion picture or still picture) enables efficient transfer of data for display.

The external display interface includes RGB interface and VSYNC interface. This allows flicker-free screen update. When RGB interface is selected, the synchronization signals (VSYNC, HSYNC, and DOTCLK) are available for use in operating the display. The data for display (PD17-0) is written according to the values of the data enable signal (ENABLE) and data valid signal (VLD), in synchronization with the VSYNC, HSYNC, and DOTCLK signals. In addition, using the window address function enables rewriting only to the internal RAM area to display motion pictures. Using this function also enables simultaneously display of the motion picture area and the RAM data that was written.

While displaying motion pictures, the data for display should be written in high-speed write mode, which achieves both low power consumption and high-speed access via RGB interface or VSYNC interface.

The internal display operation is synchronized with the frame synchronization signal (VSYNC) in VSYNC interface mode. When writing to the internal RAM is done within the required time after the falling edge of VSYNC, motion pictures can be displayed via the conventional interface. There are some limitations on the timing and methods of writing to RAM. See the section on the external display interface.

The S6D0114 has four operation modes for each display state. These settings are specified by control instructions for external display interface. Transitions between modes should follow the transition flow.

**Table 24. Display Operation Mode and RAM Access Selection**

<b>Operation Mode</b>	<b>RAM Access Selection (RM)</b>	<b>Display Operation Mode (DM1-0)</b>
Internal Clock Operation (Displaying still picture)	System interface (RM=0)	Internal clock operation (DM1-0=00)
RGB interface (1) (Displaying motion picture)	RGB interface (RM=1)	RGB interface (DM1-0=01)
RGB interface (2) (Rewriting still picture while displaying motion pictures)	System interface (RM=0)	RGB interface (DM1-0=01)
VSYNC interface (Displaying motion Pictures)	System interface (RM=0)	VSYNC interface (DM1-0=10)

- NOTES:**
- 1) Instruction registers can only be set via system interface.
  - 2) RGB interface and VSYNC interface cannot be used at the same time.
  - 3) RGB interface mode cannot be set during operations.
  - 4) For mode transitions, see the section on the external display interface.
  - 5) RGB interface VSYNC interface modes should be used in high-speed write mode (HWM = 1).

*Preliminary***SYSTEM INTERFACE**

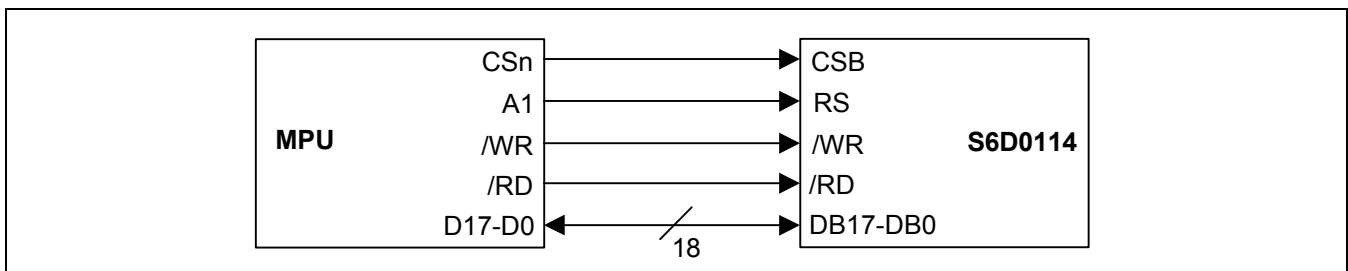
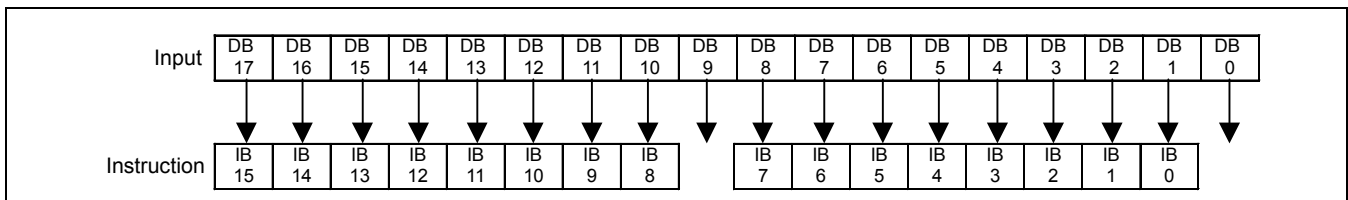
S6D0114 is enabling to set instruction and access to RAM by selecting IM3/2/1/0 pin in the system interface mode.

**Table 25. IM Bits and System Interface**

IM3	IM2	IM1	IM0	System Interface	DB Pin
0	0	0	0	68-system 16-bit interface	DB17 to10, 8 to1
0	0	0	1	68-system 8-bit interface	DB17 to10
0	0	1	0	80-system 16-bit interface	DB17 to10, 8 to1
0	0	1	1	80-system 8-bit interface	DB17 to10
0	1	0	*	Serial peripheral interface (SPI)	DB1 to 0
0	1	1	*	Setting disabled	-
1	0	0	0	68-system 18-bit interface	DB17 to 0
1	0	0	1	68-system 9-bit interface	DB17 to 9
1	0	1	0	80-system 18-bit interface	DB17 to 0
1	0	1	1	80-system 9-bit interface	DB17 to 9
1	1	*	*	Setting disabled	-

**68/80-SYSTEM 18-BIT BUS INTERFACE**

Setting the IM3/2/1/0 (interface mode) to the VDD3/VSS/VSS/vSS level allows 68-system 18-bit parallel data transfer. Setting the IM3/2/1/0 to the VDD3/GND/VDD3/GND level allows 80-system 18-bit parallel data transfer.

**Figure 31. Interface with the 18-bit Microcomputer****68/80-SYSTEM 18-bit interface data FORMAT****Figure 32. Instruction format for 18-bit Interface**



*Preliminary*

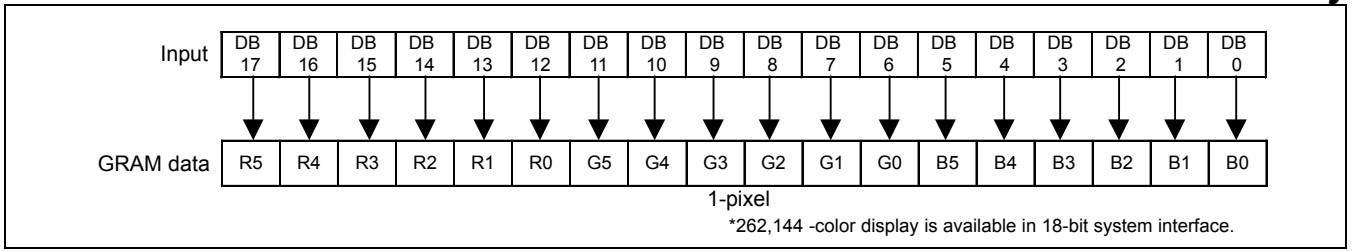


Figure 33. RAM Data Write format for 18-bit Interface

**68/80-SYSTEM 16-BIT BUS INTERFACE**

Setting the IM3/2/1/0 (interface mode) to the VSS/VSS/VSS/VSS level allows 68-system 16-bit parallel data transfer. Setting the IM3/2/1/0 to the VSS/VSS/VDD3/VSS level allows 80-system 16-bit parallel data transfer.

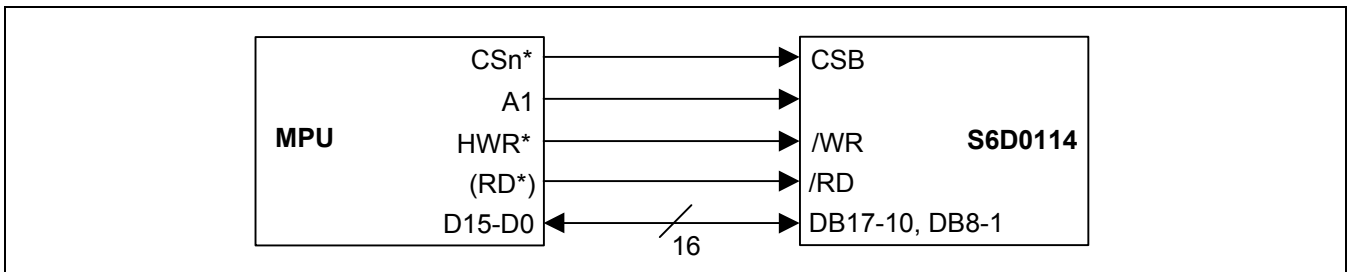


Figure 34. Interface with the 16-bit Microcomputer

**68/80-SYSTEM 16-bit interface data FORMAT**

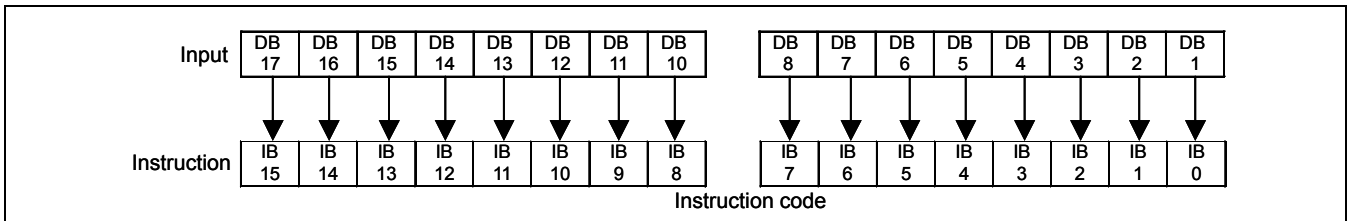


Figure 35. Instruction format for 16-bit Interface

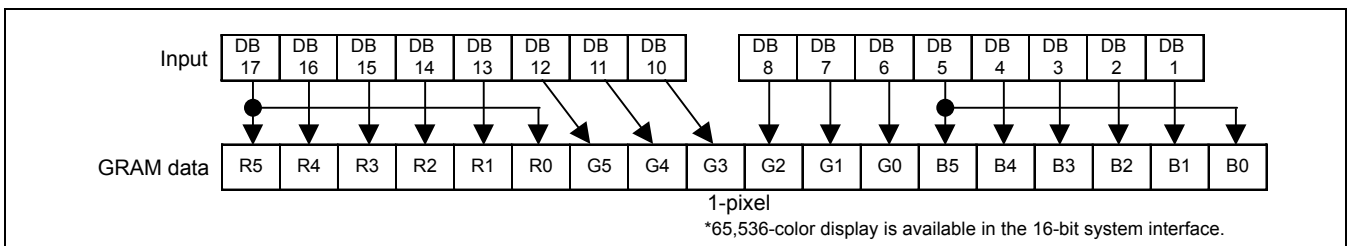
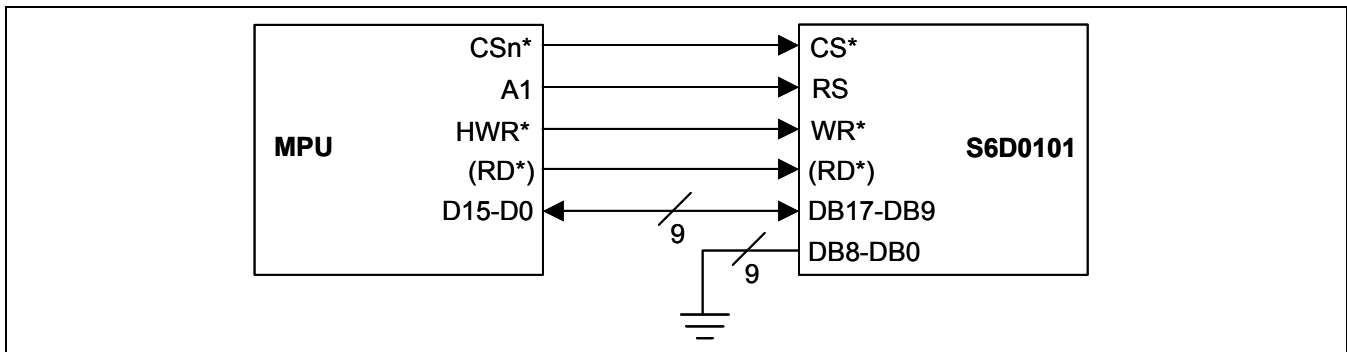


Figure 36. RAM Data Write format for 16-bit Interface

*Preliminary*

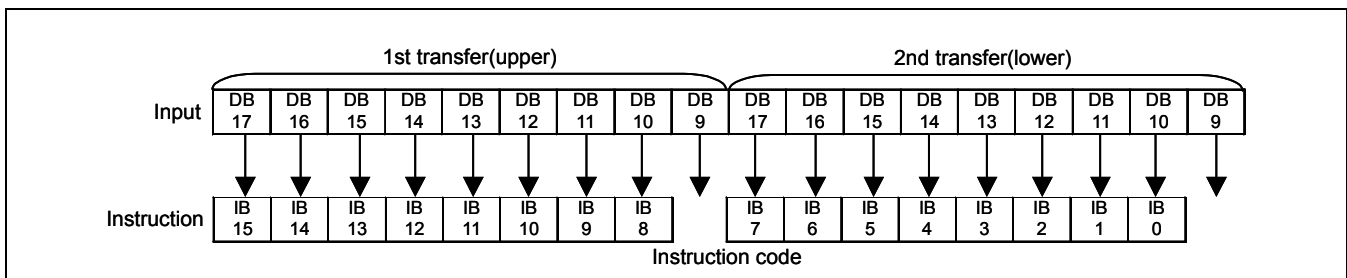
**68/80-SYSTEM 9-BIT BUS INTERFACE**

Setting the IM3/2/1/0 (interface mode) to the VDD3/VSS/VSS/VDD3 level allows 68-system 9-bit parallel data transfer using pins DB17–DB9. Setting the IM3/2/1/0 to be VDD3/VSS/VDD3/VDD3 level allows 80-system 9-bit parallel data transfer. The 16-bit instructions and RAM data are divided into nine upper/lower bits and the transfer starts from the upper nine bits. Fix unused pins DB8–DB0 to the VDD 3 or VSS level. Note that the upper bytes must also be written when the index register is written.

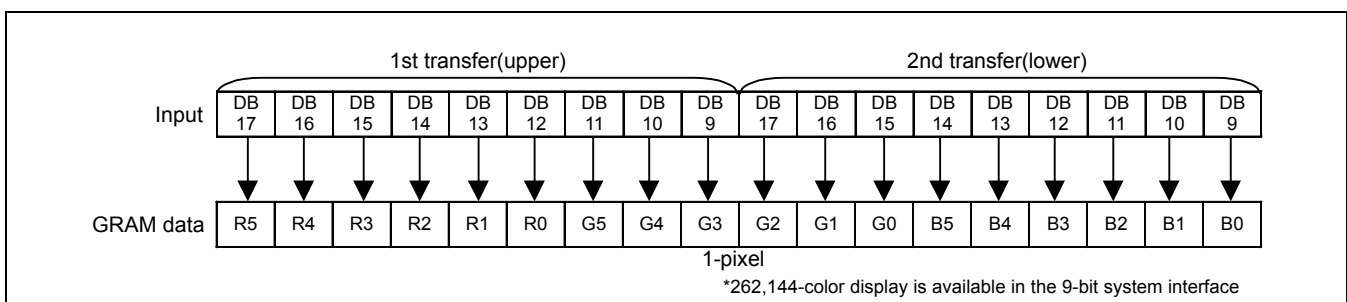


**Figure 37. Interface to 9-bit Microcomputer**

**68/80-SYSTEM 9-bit interface data FORMAT**



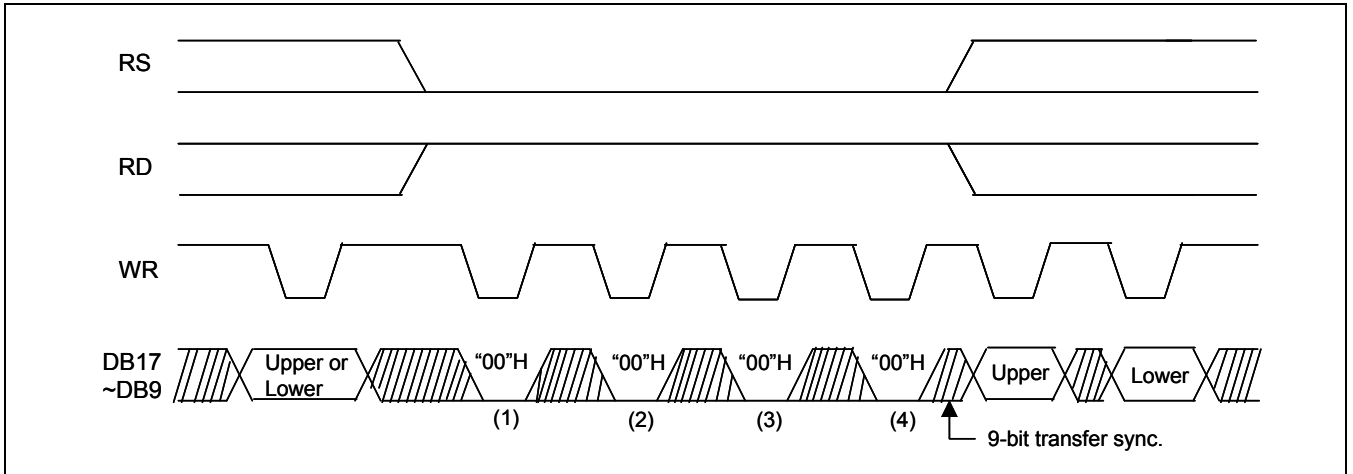
**Figure 38. Instruction format for 9-bit Interface**



**Figure 39. RAM Data Write format for 9-bit Interface**

**NOTE:** Transfer synchronization function for a 9-bit bus interface

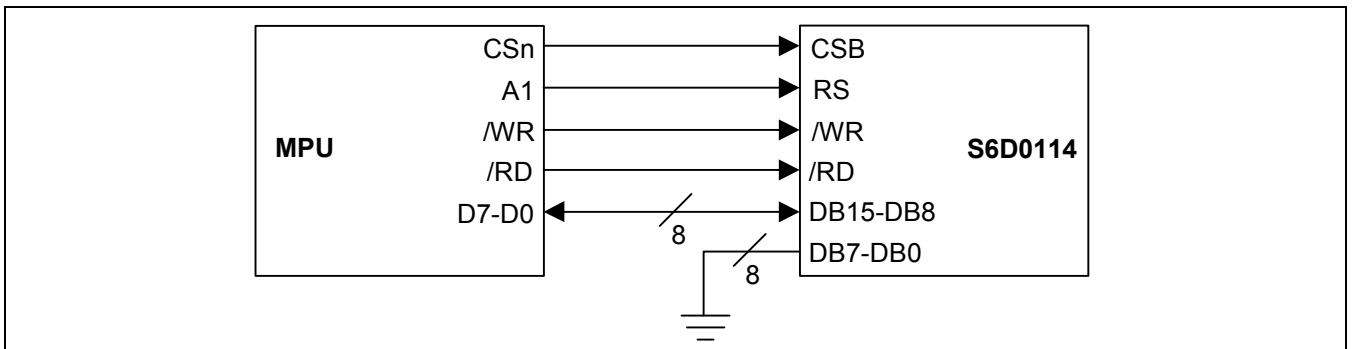
The S6D0114 supports the transfer synchronization function, which resets the upper/lower counter to count upper/lower 9-bit data transfer in the 9-bit bus interface. Noise causing transfer mismatch between the nine upper and lower bits can be corrected by a reset triggered by consecutively writing a "00" H instruction four times. The next transfer starts from the upper nine bits. Executing synchronization function periodically can recover any runaway in the display system.



**Figure 40. 9-bit Transfer Synchronization**

**68/80-SYSTEM 8-BIT BUS INTERFACE**

Setting the IM3/2/1/0 (interface mode) to the VSS/vSS/VSS/VDD3 level allows 68-system 8-bit parallel data transfer. Setting the IM3/2/1/0 to the VSS/VSS/VDD3/VDD3 level allows 80-system 8-bit parallel data transfer. The 16-bit instructions and RAM data are divided into eight upper/lower bits and the transfer starts from the upper eight bits. Fix unused pins DB9–DB0 to the VDD3 or VSS level. Note that the upper bytes must also be written when the index register is written.



**Figure 41. Interface with the 8-bit Microcomputer**

Preliminary

68/80-SYSTEM 8-bit interface data FORMAT

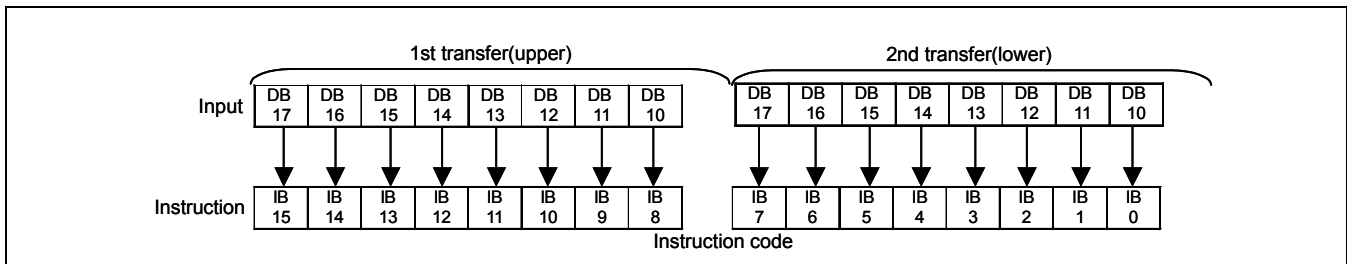


Figure 42. Instruction format for 8-bit Interface

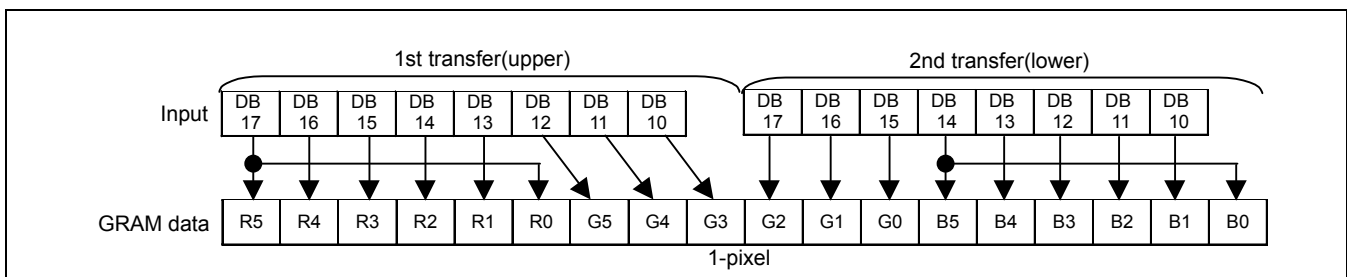


Figure 43. RAM Data Write format for 8-bit Interface

**NOTE:** Transfer synchronization function for an 8-bit bus interface

The S6D0114 supports the transfer synchronization function, which resets the upper/lower counter to count upper/lower 8-bit data transfer in the 8-bit bus interface. Noise causing transfer mismatch between the eight upper and lower bits can be corrected by a reset triggered by consecutively writing a "00" H instruction four times. The next transfer starts from the upper eight bits. Executing synchronization function periodically can recover any runaway in the display system

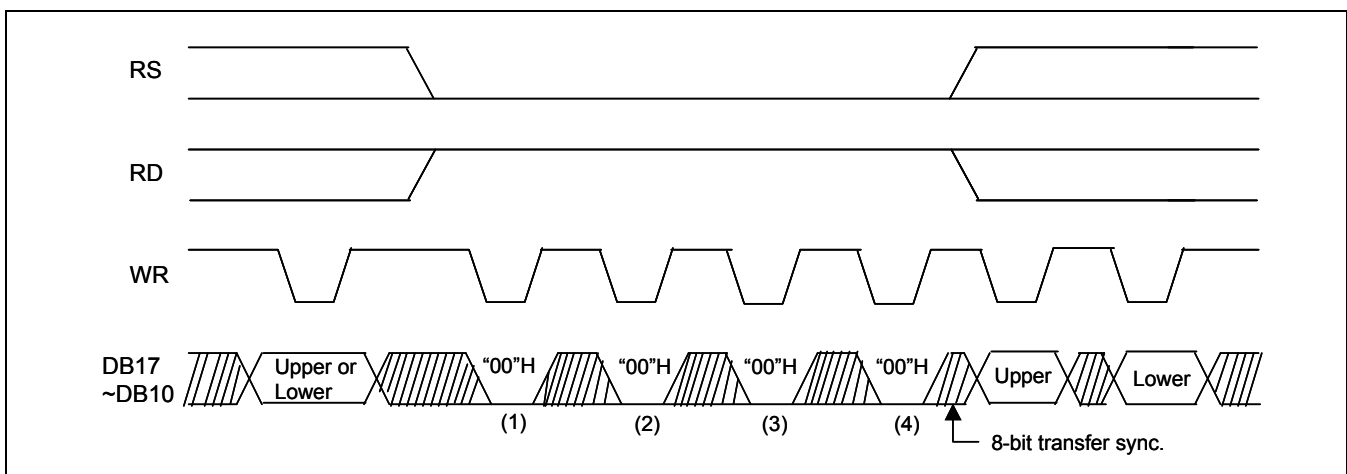


Figure 44. 8-bit Transfer Synchronization

## SERIAL DATA TRANSFER

Setting the IM3 pin to the VSS level allows serial peripheral interface (SPI) transfer, using the chip select line (CS<sup>+</sup>), serial transfer clock line (SCL), serial input data (SDI), and serial output data (SDO). For a serial interface, the IM0/ID pin function uses an ID pin. If the chip is set up for serial interface, the DB17-2 pins that are not used must be fixed at VDD3 or VSS.

The S6D0114 initiates serial data transfer by transferring the start byte at the falling edge of CSB input. It ends serial data transfer at the rising edge of CSB input.

The S6D0114 is selected when the 6-bit chip address in the start byte matches the 6-bit device identification code that is assigned to the S6D0114. When selected, the S6D0114 receives the subsequent data string. The LSB of the identification code can be determined by the ID pin. The five upper bits must be 01110. Two different chip addresses must be assigned to a single S6D0114 because the seventh bit of the start byte is used as a register select bit (RS): that is, when RS = 0, data can be written to the index register or status can be read, and when RS = 1, an instruction can be issued or data can be written to or read from RAM. Read or write is selected according to the eighth bit of the start byte (R/W bit). The data is received when the R/W bit is 0, and is transmitted when the R/W bit is 1.

After receiving the start byte, the S6D0114 receives or transmits the subsequent data byte-by-byte. The data is transferred with the MSB first. All S6D0114 instructions are 16 bits. Two bytes are received with the MSB first (DB17 to 0), then the instructions are internally executed. After the start byte has been received, the first byte is fetched as the upper eight bits of the instruction and the second byte is fetched as the lower eight bits of the instruction.

Four bytes of RAM read data after the start byte are invalid. The S6D0114 starts to read correct RAM data from the fifth byte.

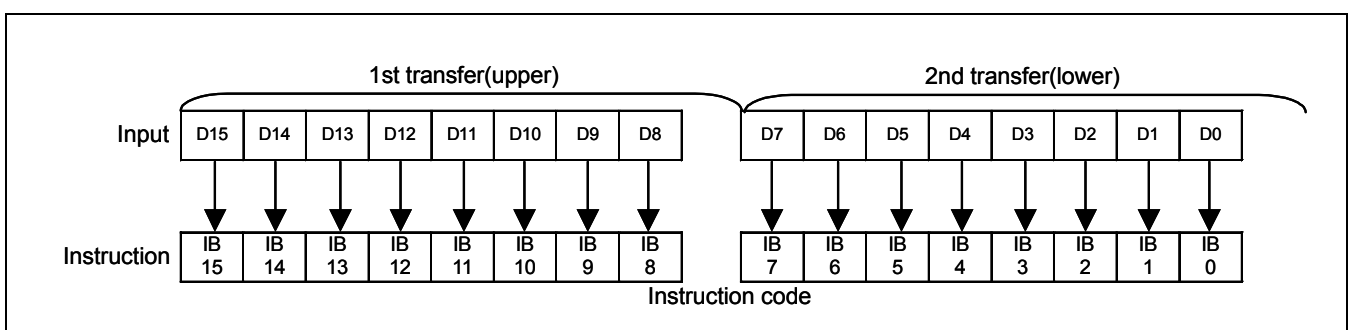
**Table 26. Start Byte Format**

Transfer bit	S	1	2	3	4	5	6	7	8
Start byte format	Transfer start	Device ID code						RS	R/W
		0	1	1	1	0	ID		

**NOTE:** ID bit is selected by the IM0/ID pin.

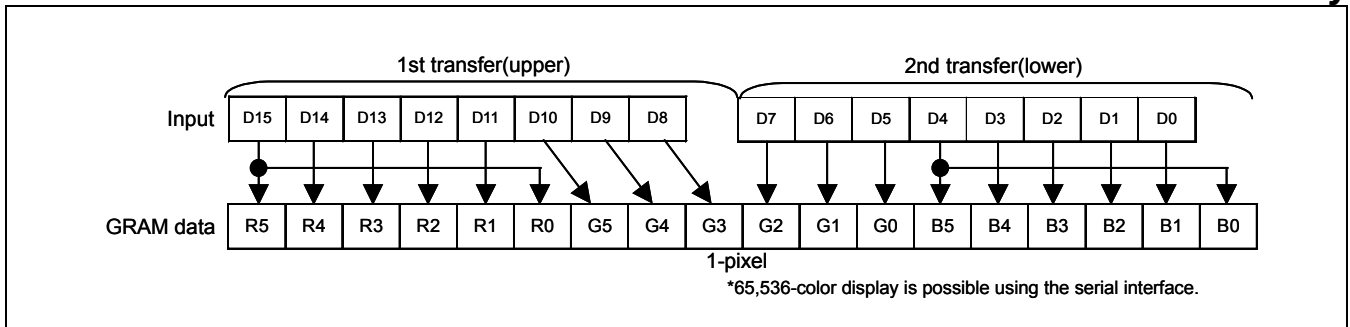
**Table 27. RS and R/W Bit Function**

RS	RW	Function
0	0	Set index register
0	1	Read status
1	0	Writes instruction or RAM data
1	1	Reads instruction or RAM data



**Figure 45. Instruction format for Serial Data Transfer**

*Preliminary*



**Figure 46. RAM Data Write format for Serial Data Transfer**

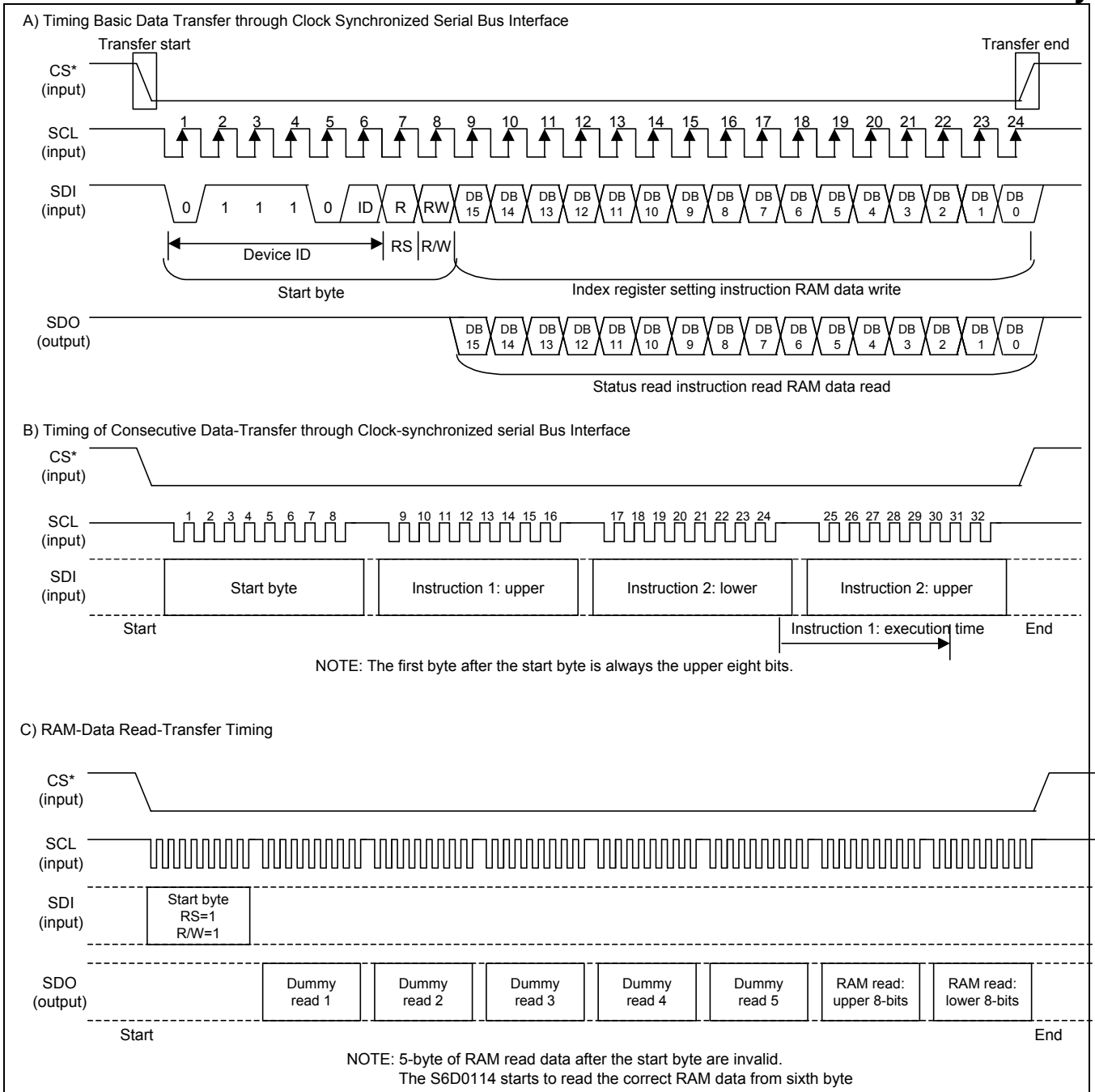
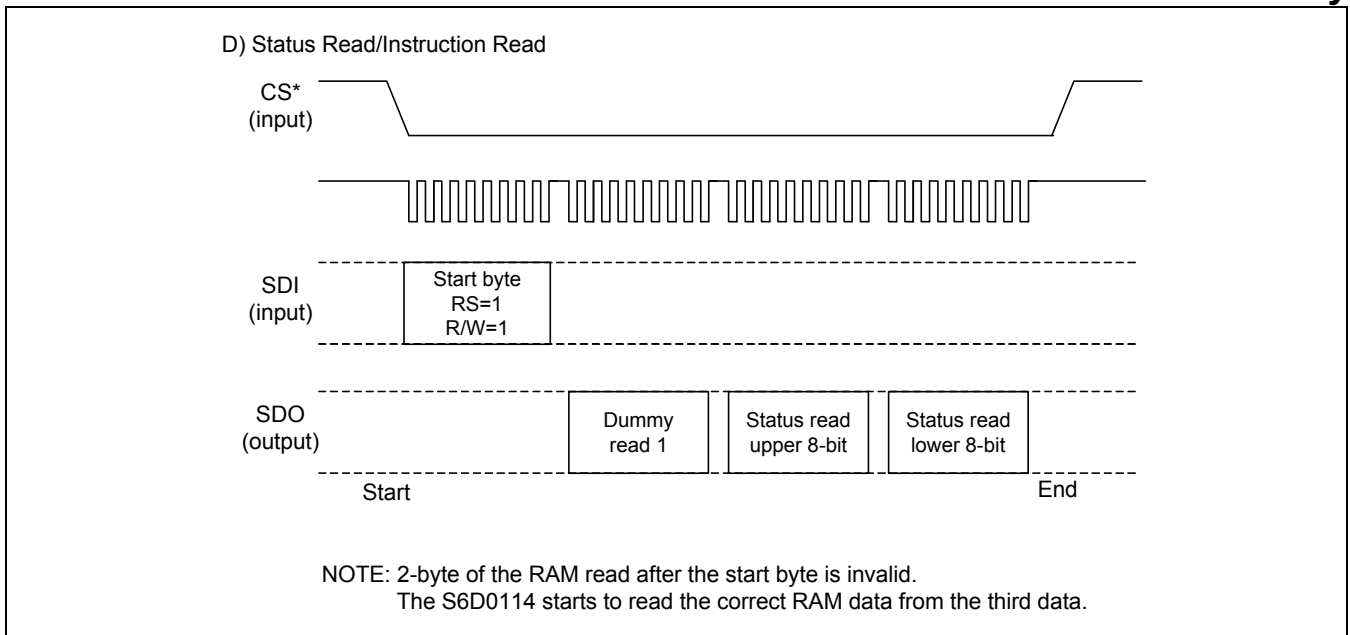


Figure 47. Procedure for transfer on clock synchronized serial bus interface

**Preliminary**



**Figure 48. Procedure for transfer on clock synchronized serial bus interface (continued)**



## VSYNC INTERFACE

The S6D0114 incorporates VSYNC interface, which enables motion pictures to be displayed with only the conventional system interface and the frame synchronization signal (VSYNC). This interface requires minimal changes from the conventional system to display motion pictures.

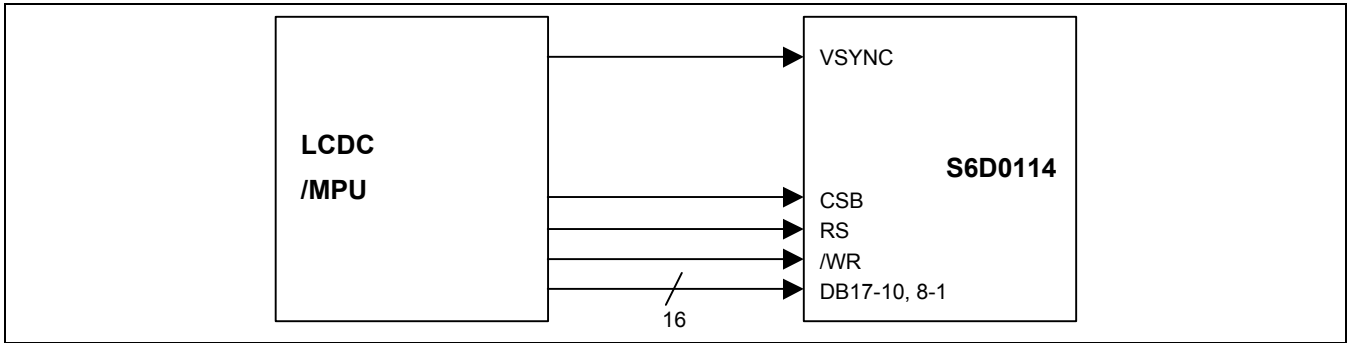


Figure 49. VSYNC Interface

When DM1-0="10" and RM="0", VSYNC interface is available. In this interface the internal display operation is synchronized with VSYNC. Data for display is written to RAM via the system interface with higher speed than for internal display operation. This method enables flicker-free display of motion pictures with the conventional interface.

Display operation can be achieved by using the internal clock generated by the internal oscillator and the VSYNC input. Because all the data for display is written to RAM, only the data to be rewritten is transferred. This method reduces the amount of data transferred during motion picture display operation. The higher-speed write mode (HWM="1") achieves both low power consumption and high-speed access.

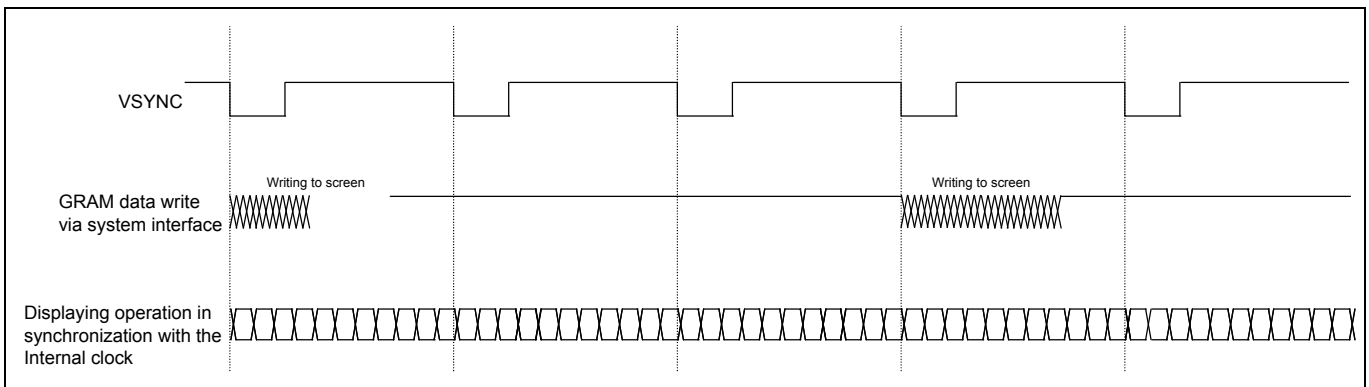


Figure 50. Moving Picture Data Transfer via VSYNC Interface

VSYNC interface requires taking the minimum speed for RAM writing via the system interface and the frequency of the internal clock into consideration. RAM writing should be performed with higher speed than the result obtained from the calculation shown below.

**Preliminary**

$$\text{Internal clock frequency (fosc) [Hz]} = \frac{\text{Frame freq.} \times (\text{Display raster-row (NL)} + \text{Front porch (FP)} + \text{Back porch (BP)})}{\times 16\text{-Clock} \times \text{Fluctuation}}$$

$$\text{Minimum speed for RAM writing [Hz]} > \frac{176 \times \text{Display raster-row (NL)}}{\{((\text{Back porch (BP)} + \text{Display raster-row (NL)} - \text{Margin}) \times 16 \text{ Clock}) / \text{fosc}\}}$$

**NOTE:** When RAM writing does not start immediately after the falling edge of VSYNC, the time between the falling edge of VSYNC and the RAM writing start timing must also be considered.

An example is shown below.

**Example**

Display size	132RGB × 176 raster-rows
Display line number	176 raster-row (NL=10101)
Back/Front porch	3/5 raster-rows (BP=0011/FP=0101)
Frame Frequency	60Hz

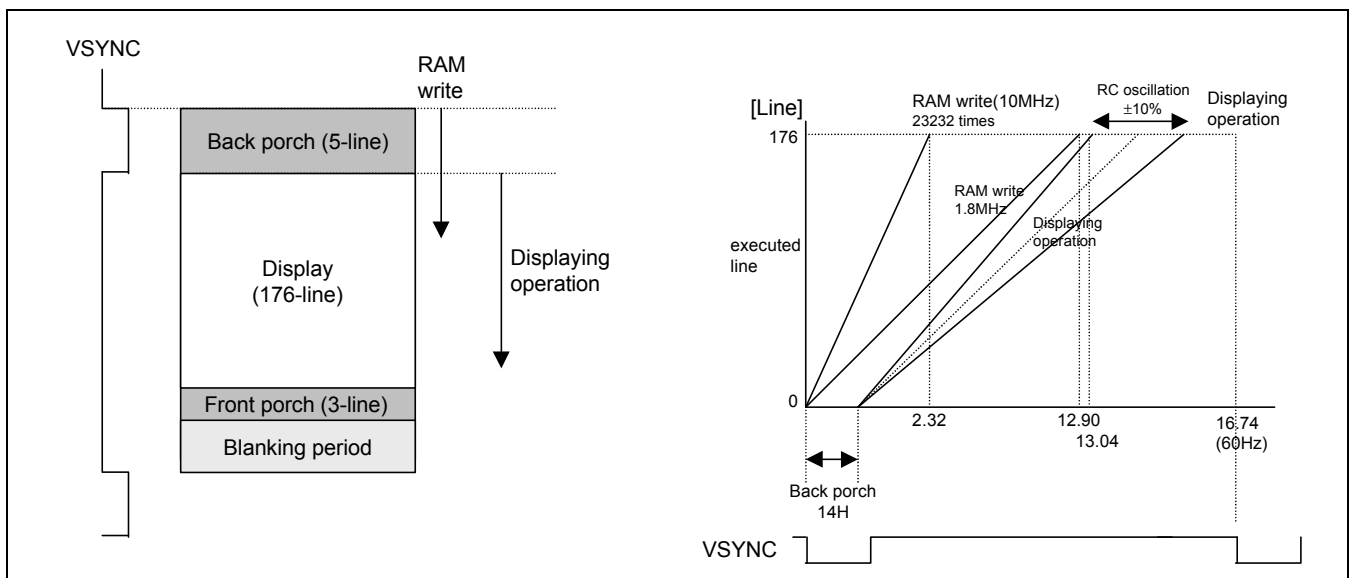
$$\text{Internal clock frequency (fosc) [Hz]} = 60 \text{ Hz} \times (176 + 2 + 14) \times 16 \text{ clock} \times 1.1 / 0.9 = 216 \text{ kHz}$$

- NOTES:**
1. Calculating the internal clock frequency requires considering the fluctuation. In the above case a 10% Fluctuation within the VSYNC period is assumed.
  2. The fluctuation includes LSI production variation and air temperature fluctuation. Other fluctuations, including those for the external resistors and the supplied power, are not included in this example. Please keep in mind that a margin for these factors is also needed.

$$\text{Minimum speed for RAM writing [Hz]} > \frac{132 \times 176}{\{(3 + 176 - 5) \text{ raster-rows} \times 16 \text{ clock}\} / 216\text{kHz}} = 1.8 \text{ MHz}$$

- NOTES:**
3. In this case RAM writing starts immediately after the falling edge of VSYNC.
  4. The margin for display raster-row should be two raster-rows or more at the completion of RAM writing for one frame.

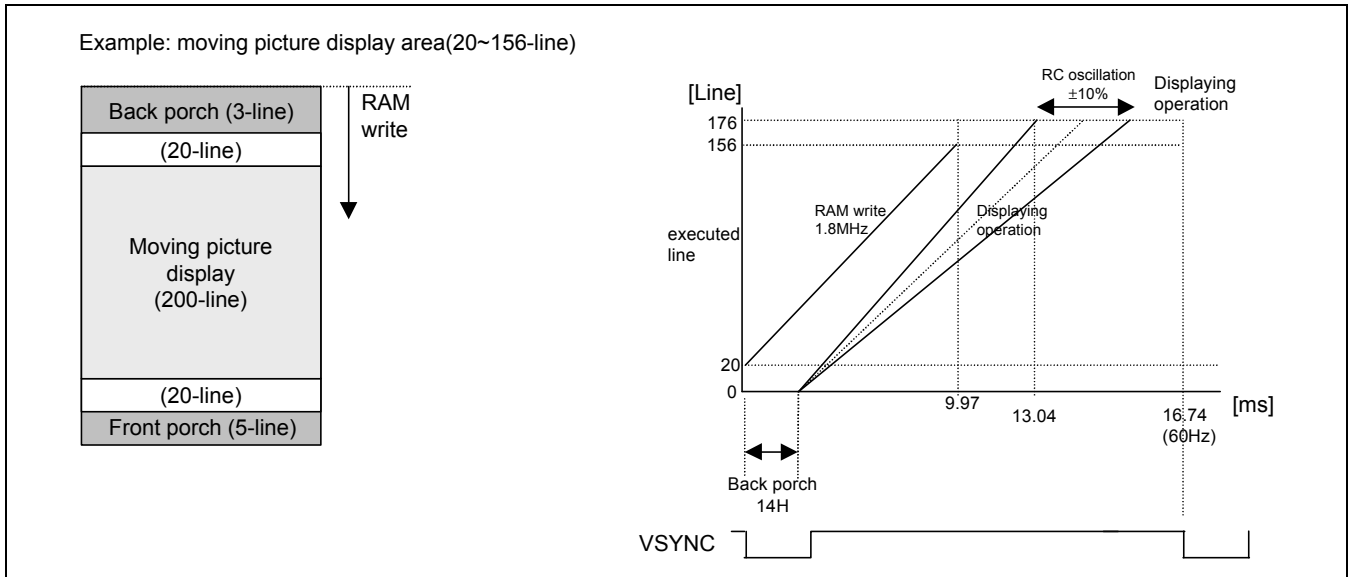
Therefore, when RAM writing starting immediately after the falling edge of VSYNC is performed at 1.8 MHz or more, the data for display can be rewritten before display operation starts. This means that flicker-free display operation is achieved.



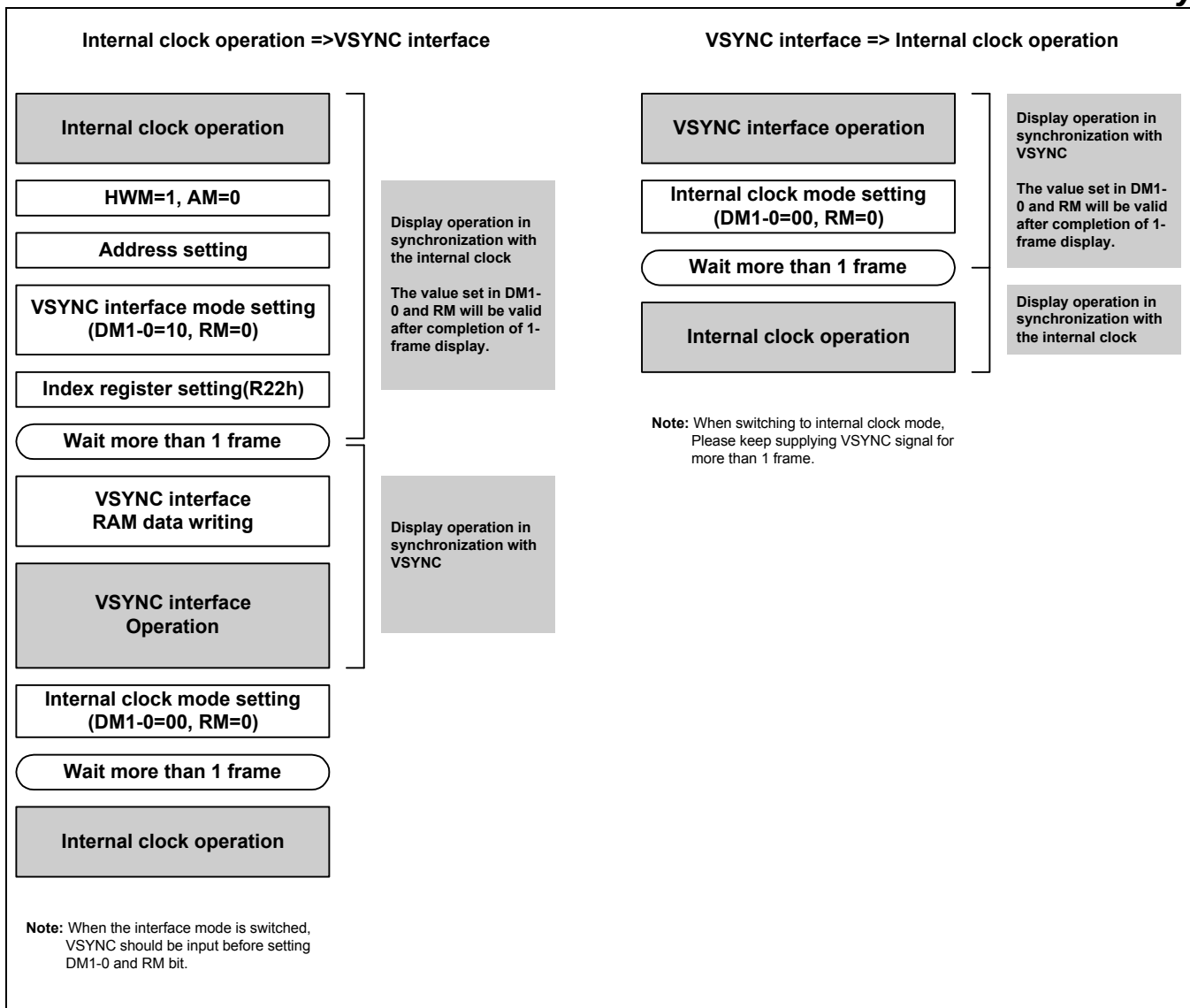
**Figure 51. Operation for VSYNC Interface**

**Preliminary****Usage on VSYNC interface**

1. The Example above is a calculated value. Please keep in mind that a margin for these factors is also needed. Because production variation of the internal oscillator requires consideration.
2. The Example above is a calculated value of rewriting the whole screen. A limitation of the motion picture area generates a margin for the RAM write speed.

**Figure 52. Limitation of Motion picture Area**

3. During the period between the completion of displaying one frame data and the next VSYNC signal, the display will remain front porch period.
4. Transition between the internal operating clock mode (DM1-0="00") and VSYNC interface mode will be valid after the completion of the screen, which is displayed when the instruction is set.

**Preliminary**

**Figure 53. Transition between the Internal Operating Clock Mode and VSYNC Interface Mode**

5. Partial display, vertical scroll, and interlaced driving functions are not available on VSYNC interface mode.
6. The VSYNC interface is performed by the method above, therefore, AM bit should be 0.

## EXTERNAL DISPLAY INTERFACE

The following interfaces are available as external display interface. It is determined by bit setting of RIM1-0. RAM accesses can be performed via the RGB interface.

Table 28. RIM Bits

RIM1	RIM0	RGB Interface	PD Pin
0	0	18-bit RGB interface	PD17 to 0
0	1	16-bit RGB interface	PD17 to13, 11 to 1
1	0	6-bit RGB interface	PD17 to12
1	1	Setting disabled	

## RGB INTERFACE

The RGB interface is performed in synchronization with VSYNC, HSYNC, and DOTCLK. Combining the function of the high-speed write mode and the window address enables transfer only the screen to be updated and reduce the power consumption.

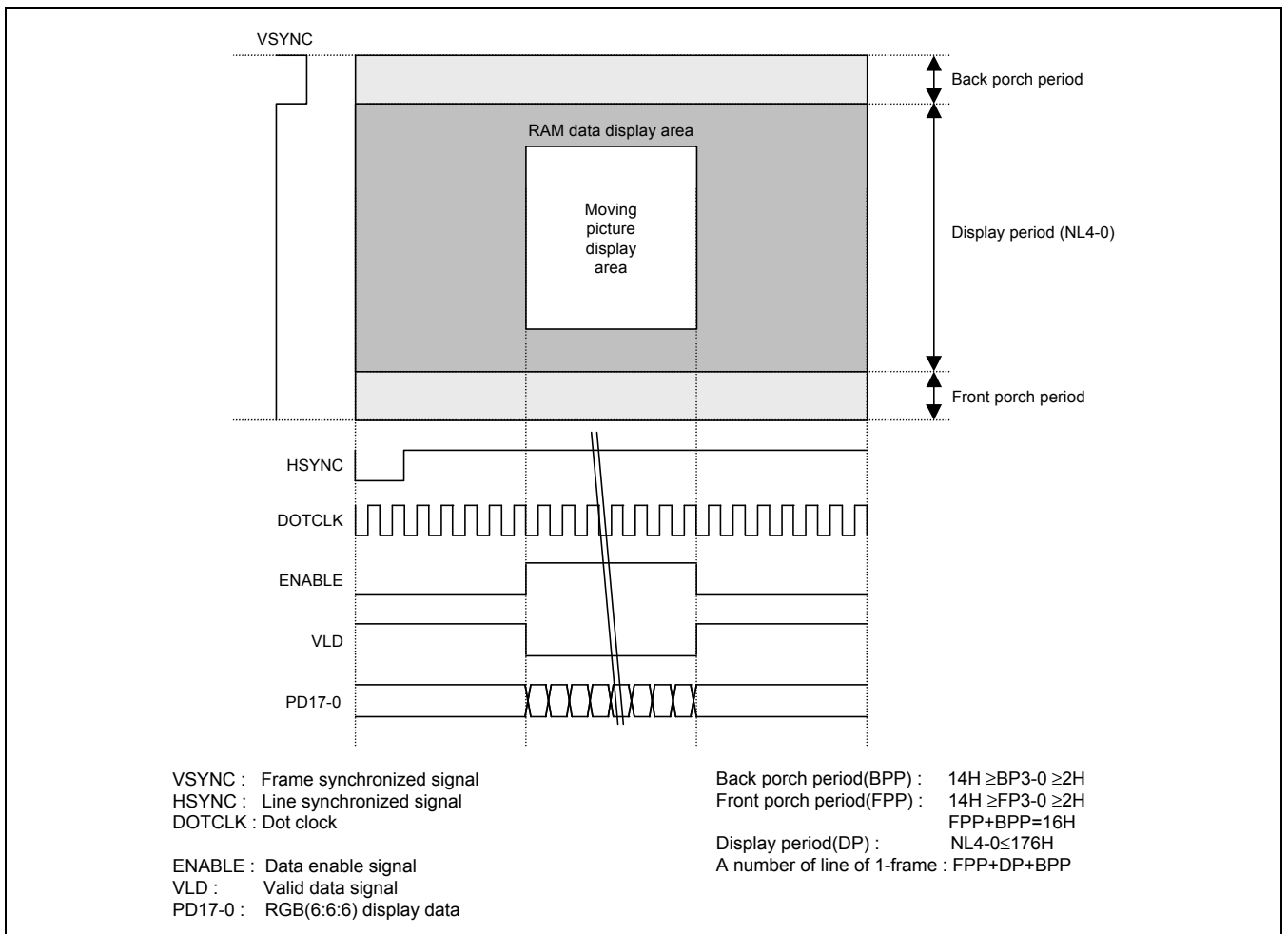


Figure 54. RGB Interface

**Preliminary****VLD AND ENABLE SIGNALS**

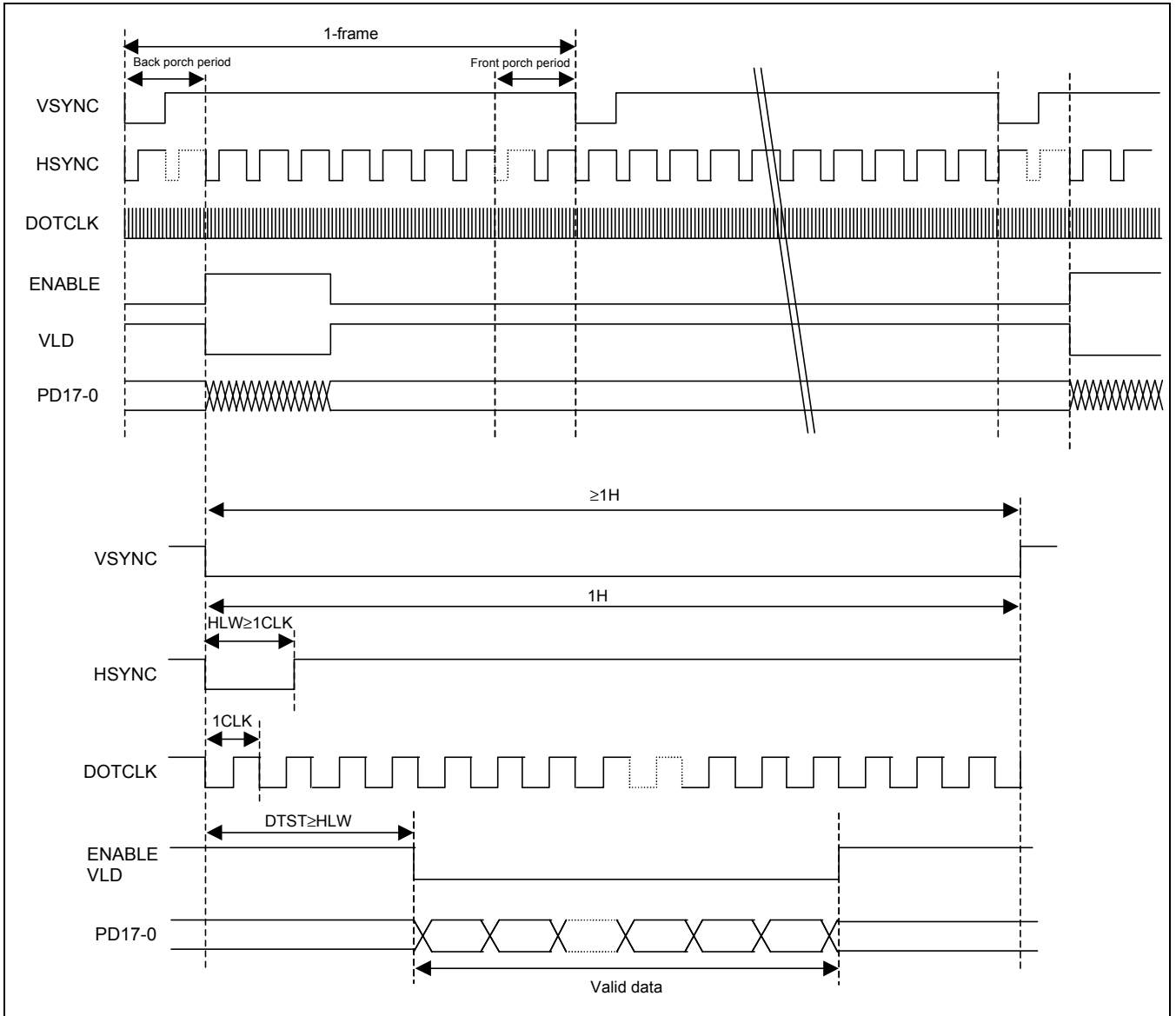
The relationship between VLD and ENABLE signals is shown below. When ENABLE is active, the address is not updated. When VLD is active and ENABLE is active, the address is updated.

**Table 29. Relationship between VLD and ENABLE**

<b>EPL</b>	<b>ENABLE</b>	<b>VLD</b>	<b>RAM WRITE</b>	<b>RAM ADDRESS</b>
0	0	0	Valid	Updated
0	0	1	Invalid	Updated
0	1	*	Invalid	Hold
1	0	*	Invalid	Hold
1	1	0	Valid	Update
1	1	1	Invalid	Updated

**RGB INTERFACE TIMING**

Time chart for RGB interface is shown below.



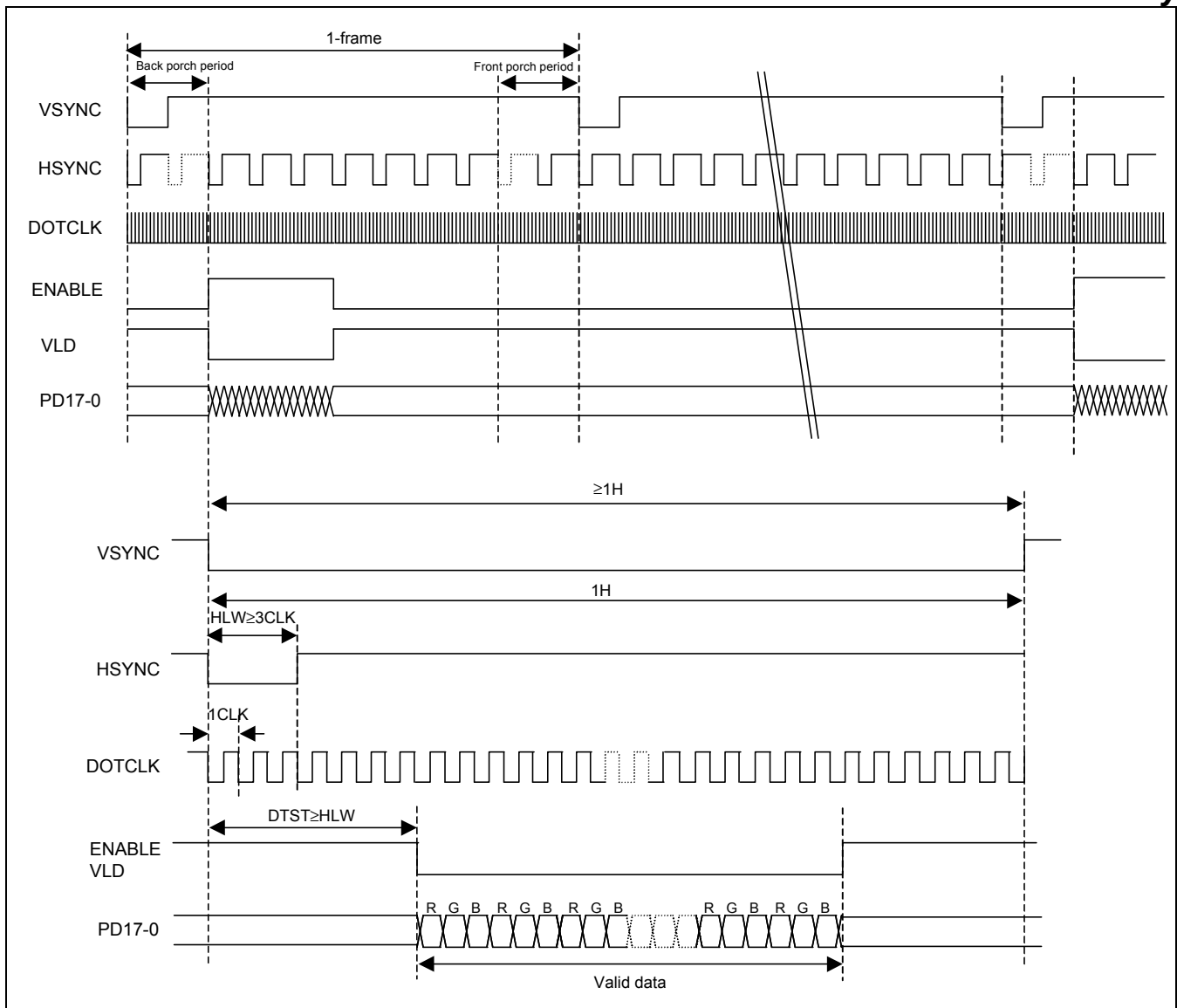
**Figure 55. 16-/18-bit RGB Interface Timing**

VLW: The period in which VSYNC is "Low" level

HLW: The period in which HSYNC is "Low" level

DTST: Set up time of data transfer

**NOTE:** Data for display should be written in the high-speed write mode (HWM="1") in VSYNC is in use.

**Preliminary****Figure 56. 6-bit RGB Interface Timing**

VLW: The period in which VSYNC is "Low" level

HLW: The period in which HSYNC is "Low" level

DTST: Set up time of data transfer

- NOTES:**
1. Three clocks are regarded as one clock for transfer when data is transferred in 6-bit interface.
  2. VSYNC, HSYNC, ENABLE, DOTCLK, VLD, and PD17-2 should be transferred in units of three clocks.
  3. Data for display should be written in the high-speed write mode (HWM="1") in VSYNC interface is in use.



## MOVING PICTURE DISPLAY

The S6D0114 incorporates RGB interface to display motion pictures and RAM to store data for display. For displaying motion pictures, the S6D0114 has the following features.

- Motion picture area can only be transferred by the window address function.
- The high-speed write mode achieves both low power consumption and high-speed access.
- Motion picture area to be rewritten can only be transferred.
- Reducing the amount of data transferred enables reduce the power consumption to the whole system.
- Still picture area, such as an icon, can be updated while displaying motion pictures combining with the system interface.

## RAM ACCESS VIA RGB INTERFACE AND SYSTEM INTERFACE

RAM can be accessed via the system interface when RGB interface is in use. When data is written to RAM during RGB interface mode, the ENABLE bit should be low to stop data writing via RGB interface, because RAM writing is always performed in synchronization with the DOTCLK input when ENABLE is high. After this RAM access via the system interface, a waiting time is needed for a write/read bus cycle before the next RAM access starts via RGB interface. When a RAM write conflict occurs, data writing is not guaranteed.

Example of display motion picture via RGB-I/F and updating still picture via the system interface are shown below.

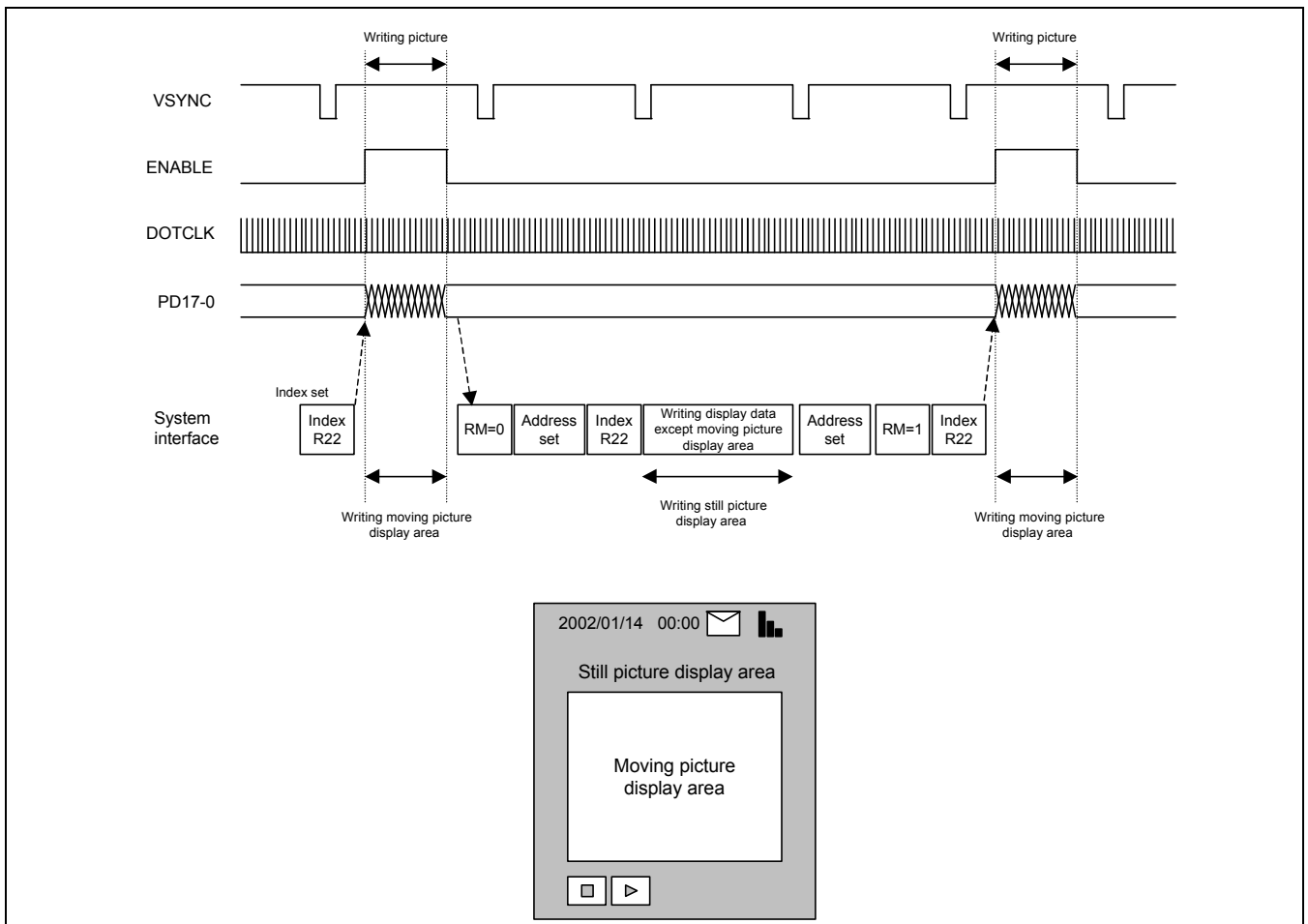
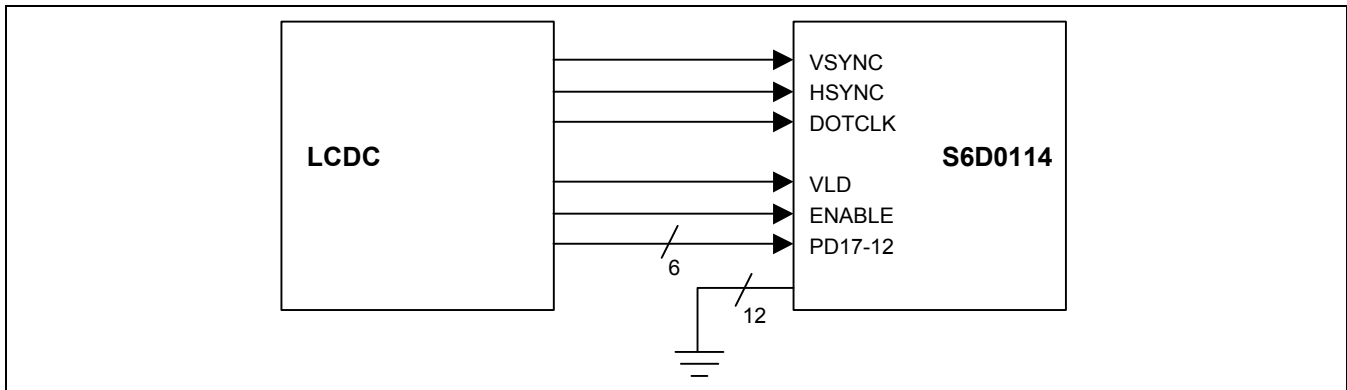
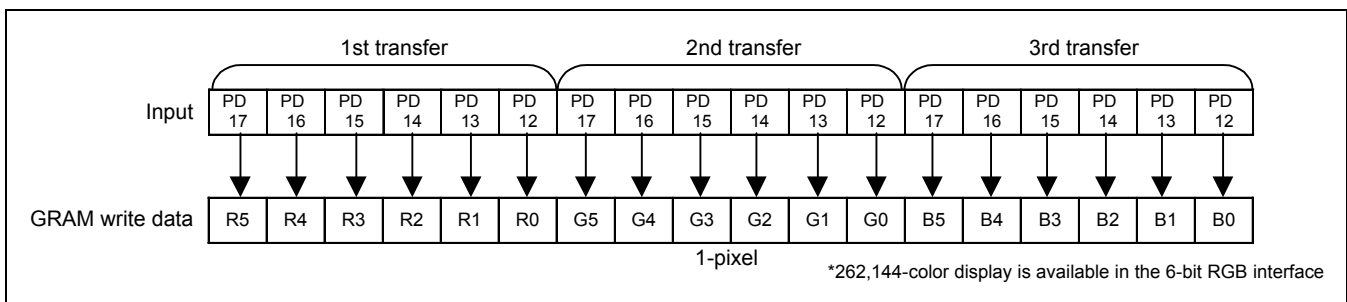


Figure 57. Example of Updating Still Picture Area during Displaying Motion Picture

**Preliminary****6-BIT RGB INTERFACE**

6-bit RGB interface can be used by setting RIM1-0 pins to "00". Display operation is synchronized with VSYNC, HSYNC, and DOTCLK signals. Data for display is transferred to the internal RAM via 6-bit RGB data bus (PD17 to 12), the data valid signal (VLD), and the data enable signal (ENABLE). Unused pins must be fixed to the VDD3 or GND level.

**Figure 58. 6-bit RGB Interface****Figure 59. GRAM Write Data format for 6-bit RGB Interface Mode**

**NOTE:** Transfer synchronization function for an 6-bit bus interface. The S6D0114 has the transfer counter to count 1st, 2nd and 3rd data transfer in the 6-bit bus interface. The transfer counter is reset on the falling edge of VSYNC and enters the 1st data transmission state. Transfer mismatch can be corrected transfer restarts correctly. In this method, when data is consecutively transferred such as displaying motion pictures, the effect of transfer mismatch will be reduced and recover normal operation.

**NOTE:** The internal display is operated in units of three DOTCLK. When the DOTCLK is not input in units of pixels, clock mismatch occurs and the frame, which is operated, and the next frame are not display correctly.

Preliminary

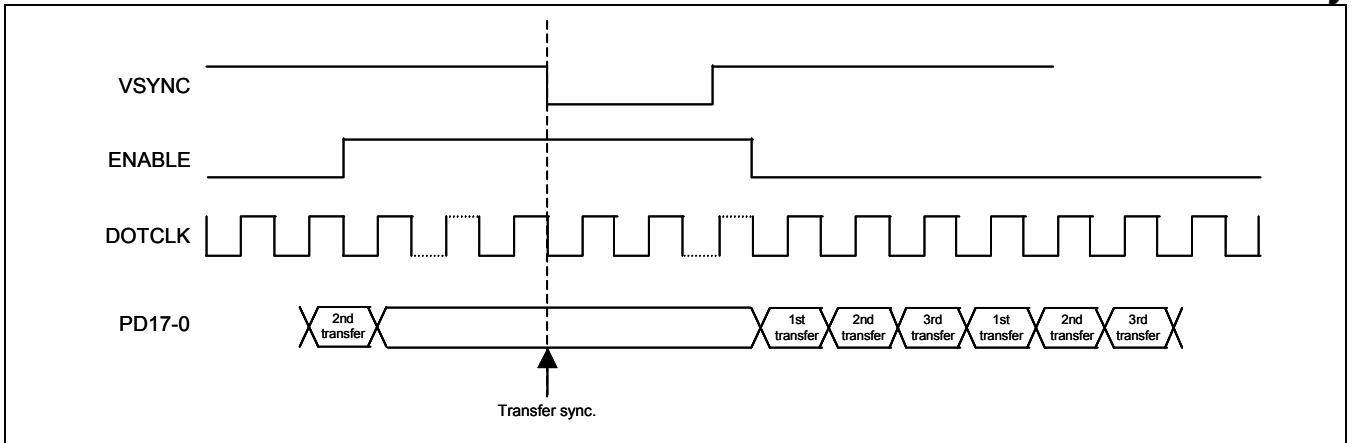


Figure 60. Transfer Synchronization Function when 6-bit RGB Interface

### 16-BIT RGB INTERFACE

16-bit RGB interface can be used by setting RIM1-0 pins to 01. Display operation is synchronized with VSYNC, HSYNC, and DOTCLK signals. Data for display is transferred to the internal RAM via 6-bit RGB data bus (PD17-13 and 11-1). The data valid signal (VLD). Instruction should be set via the system interface.

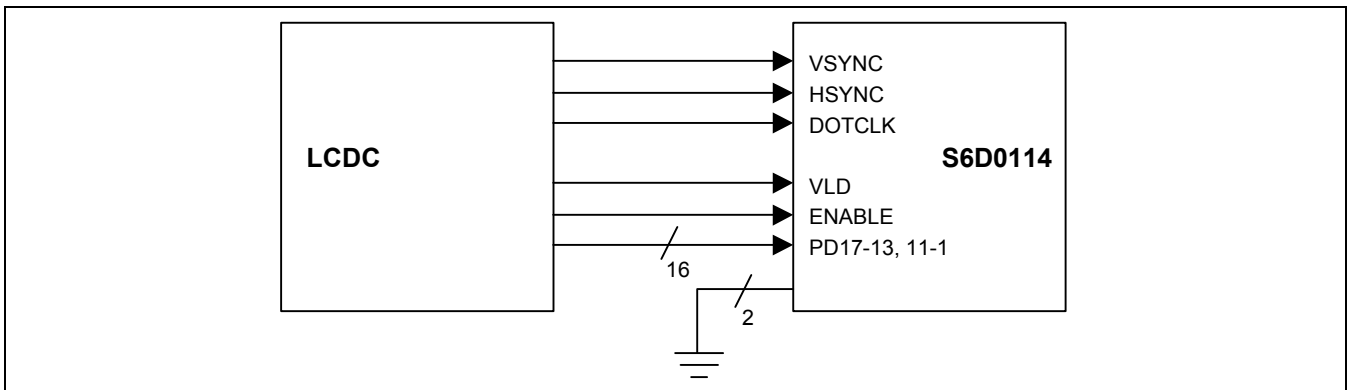


Figure 61. 16-bit RGB Interface to System

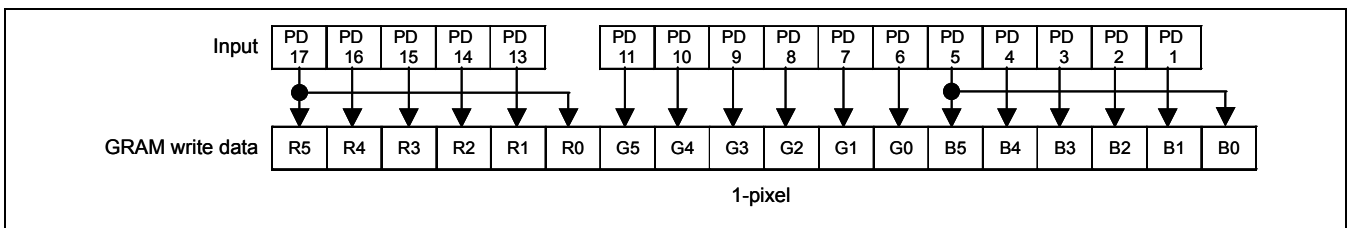


Figure 62. GRAM Write Data in the 16-bit RGB Interface Mode

### 18-BIT RGB INTERFACE

18-bit RGB interface can be used by setting MIF1-0 pins to 01. Display operation is synchronized with VSYNC, HSYNC, and DOTCLK signals. Data for display is transferred to the internal RAM via 6-bit RGB data bus (PD17-0), the data valid signal (VLD).

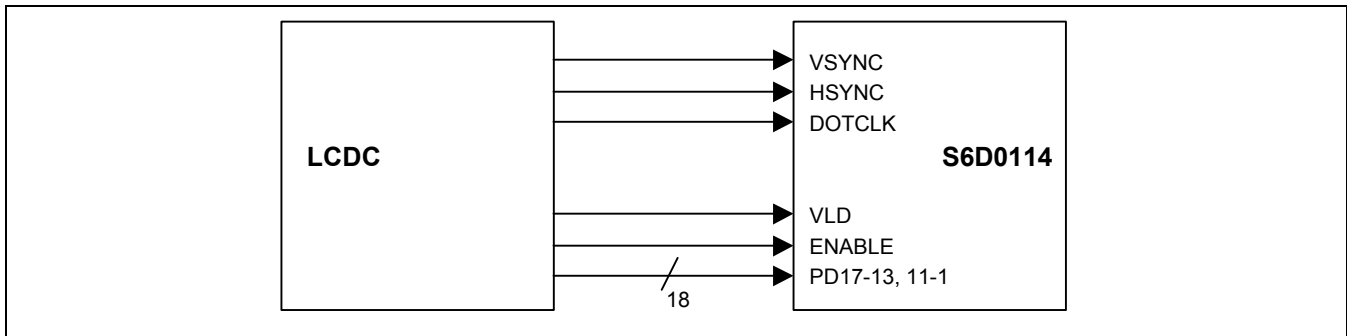


Figure 63. 18-bit RGB Interface to System

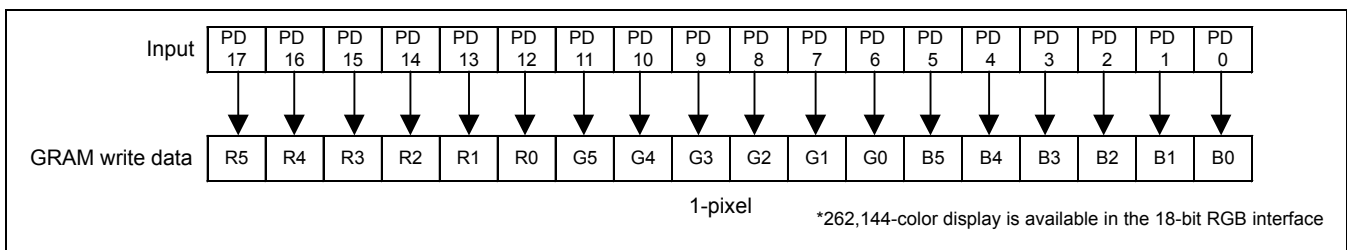


Figure 64. GRAM Write Data format for 18-bit RGB Interface Mode

### USAGE ON EXTERNAL DISPLAY INTERFACE

1. When external display interface is in use, the following functions are not available.

Table 30. External Display Interface and Internal Display Operation

Function	External Display Interface	Internal Display Operation
Partial Display	Cannot be used	Can be used
Scroll Function	Cannot be used	Can be used
Interlaced Driving	Cannot be used	Can be used
Graphics Operation Function	Cannot be used	Can be used

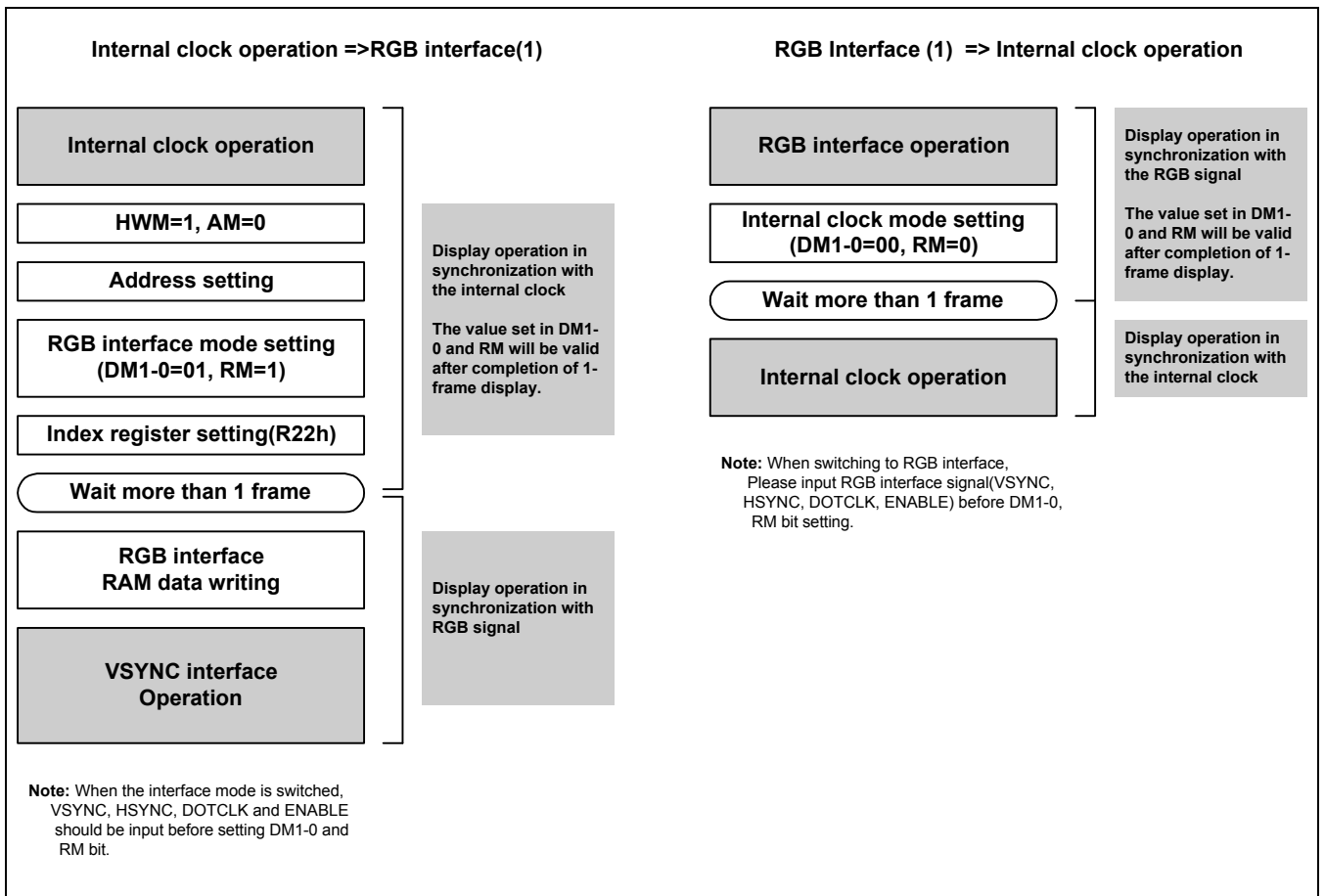
2. VSYNC, HSYNC, and DOTCLK signals should be supplied during display operation via RGB interface.

3. Please make sure that when setting bits of NO1-0, SDT1-0, and EQ1-0 in RGB interface, the clock on which operations are based changes from the internal operating clock to DCLK.

4. RGB data are transferred for three clock cycles in 6-bit RGB interface. Data transferred, therefore, should be transferred in units of RGB.

**Preliminary**

5. Interface signals, VSYNC, HSYNC, DOTCLK, ENABLE, VLD, and PD17-0 should be set in units of RGB (pixels) to match RGB transfer.
6. Transitions between internal operation mode and external display interface should follow the mode transition sequence shown below.
7. During the period between the completion of displaying one frame data and the next VSYNC signal, the display will remain front porch period.
8. RGB interface should be used in high-speed write mode (HWM="1").
9. An address set is done on the falling edge of VSYNC every frame in RGB interface.

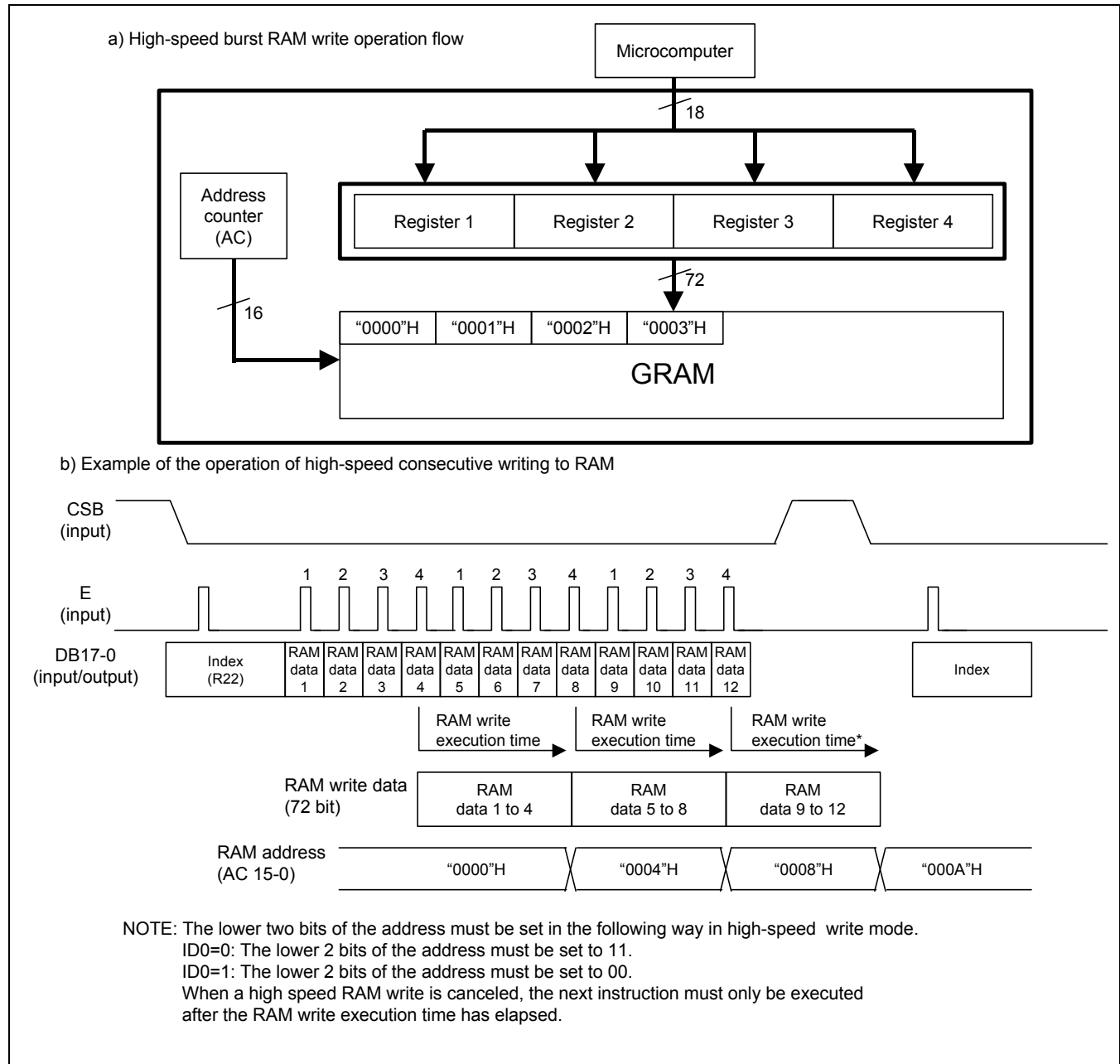


**Figure 65. Transition between the Internal Operating Clock Mode and RGB Interface Mode**

*Preliminary*

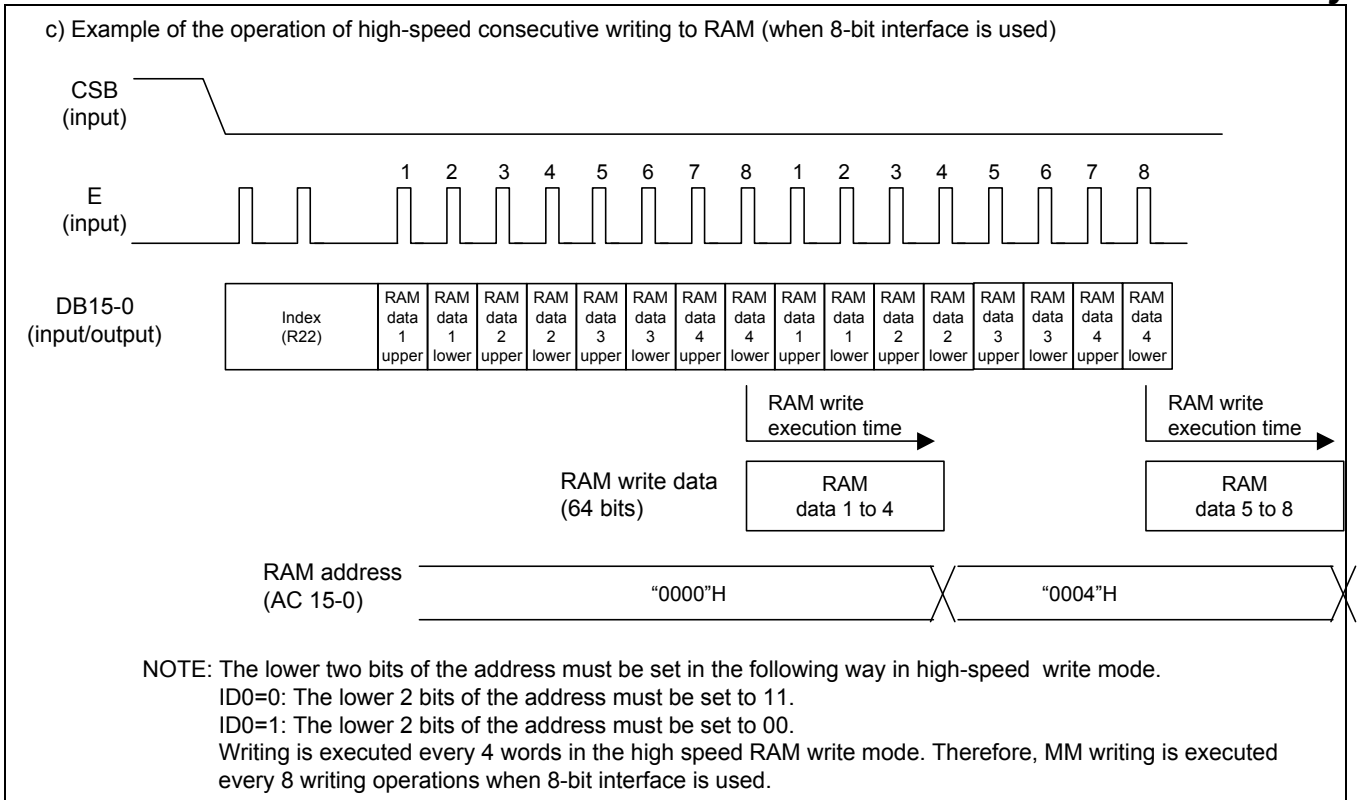
## HIGH-SPEED BURST RAM WRITE FUNCTION

The S6D0114 has a high-speed burst RAM-write function that can be used to write data to RAM in one-fourth the access time required for an equivalent standard RAM-write operation. This function is especially suitable for applications that require the high-speed rewriting of the display data, for example, display of color animations, etc. When the high-speed RAM-write mode (HWM) is selected, data for writing to RAM is once stored to the S6D0114 internal register. When data is selected four times per word, all data is written to the on-chip RAM. While this is taking place, the next data can be written to an internal register so that high-speed and consecutive RAM writing can be executed for animated displays, etc.



**Figure 66. Example of the operation of high-speed consecutive writing to RAM**

**Preliminary**



**Figure 67. Example of the operation of high-speed consecutive writing to RAM (8-bit interface)**

**Preliminary**

When high-speed write mode is used, note the following.

1. The logical and compare operations cannot be used.
2. Data is written to RAM each four words. When an address is set, the lower two bits in the address must be set to the following values.  
\*When ID0=0, the lower two bits in the address must be set to 11 and be written to RAM.  
\*When ID0=1, the lower two bits in the address must be set to 00 and be written to RAM.
3. Data is written to RAM each four words. If less than four words of data is written to RAM, the last data will not be written to RAM.
4. When the index register and RAM data write (R22h) have been selected, the data is always written first. RAM cannot be written to and read from at the same time. HWM must be set to 0 while RAM is being read.
5. High-speed and normal RAM write operations cannot be executed at the same time. The mode must be switched and the address must then be set.
6. When high-speed RAM write is used with a window address-range specified, dummy write operation may be required to suit the window address range-specification. Refer to the High-Speed RAM Write in the Window Address section.

**Table 31. Comparison between Normal and High-speed RAM Write Operations**

	<b>Normal RAM Write (HWM=0)</b>	<b>High-speed RAM Write (HWM=1)</b>
Logical operation function	Can be used	Cannot be used
Compare operation function	Can be used	Cannot be used
BGR function (RGB swap)	Can be used	Can be used
Write mask function	Can be used	Can be used
RAM address set	Can be specified by word	ID0 bit=0: Set the lower two bits to 11 ID0 bit=1: Set the lower two bits to 00
RAM read	Can be read by word	Cannot be used
RAM write	Can be written by word	Dummy write operations may have to be inserted according to a window address-range specification
Window address	Can be set by word	The horizontal range(HAS/HSE): More than four words The number of horizontal writing: 4N(N $\square$ 2)
External display interface	Can be used	Can be used
AM setting	AM=1/0	AM=0

**NOTE:** 1 word = 2 byte.



**HIGH-SPEED RAM WRITE IN THE WINDOW ADDRESS**

When a window address range is specified, GRAM data that is in an optional window area can be updated quickly and continuously by use of dummy write operation. So that the number of RAM access become 4N as shown in the table below.

Dummy write operation must be inserted at the first or last of a row of data, depending on the horizontal window-address range specification bits (HSA1 to 0, HEA1 to 0). Numbers of dummy write operations of a row must be 4N.

**Table 32. Number of Dummy Write Operations in High-Speed RAM Write (HSA bits)**

HSA1	HSA0	Number of dummy write operations to be inserted at the start of a row
0	0	0
0	1	1
1	0	2
1	1	3

**Table 33. Table 34. Number of Dummy Write Operations in High-Speed RAM Write (HEA bits)**

HEA1	HEA0	Number of dummy write operations to be inserted at the end of a row
0	0	3
0	1	2
1	0	1
1	1	0

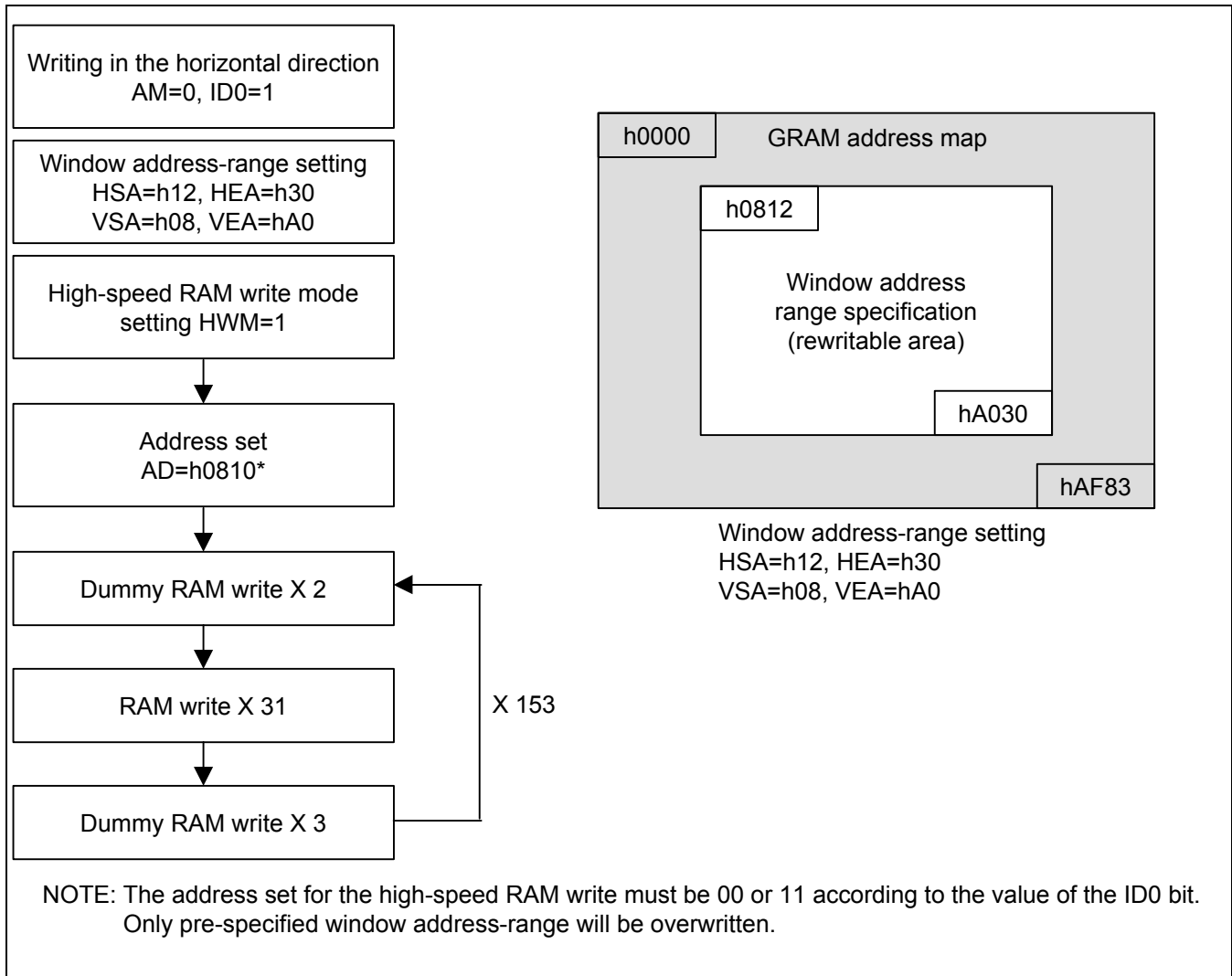
**NOTE:** Each row of access must consist of 4 X N operations, including the dummy writes.

Horizontal access count = first dummy write count + write data count + last dummy write count = 4 X N

**Preliminary**

An example of high-speed RAM write with a window address-range specified is shown below.

The window address-range can be accessed consecutively and quickly by inserting two dummy writes at the start of a row and three dummy writes at the end of a row, as determined by using the window address-range specification bits (HSA1 to 0=10, HEA1 to 0=00).



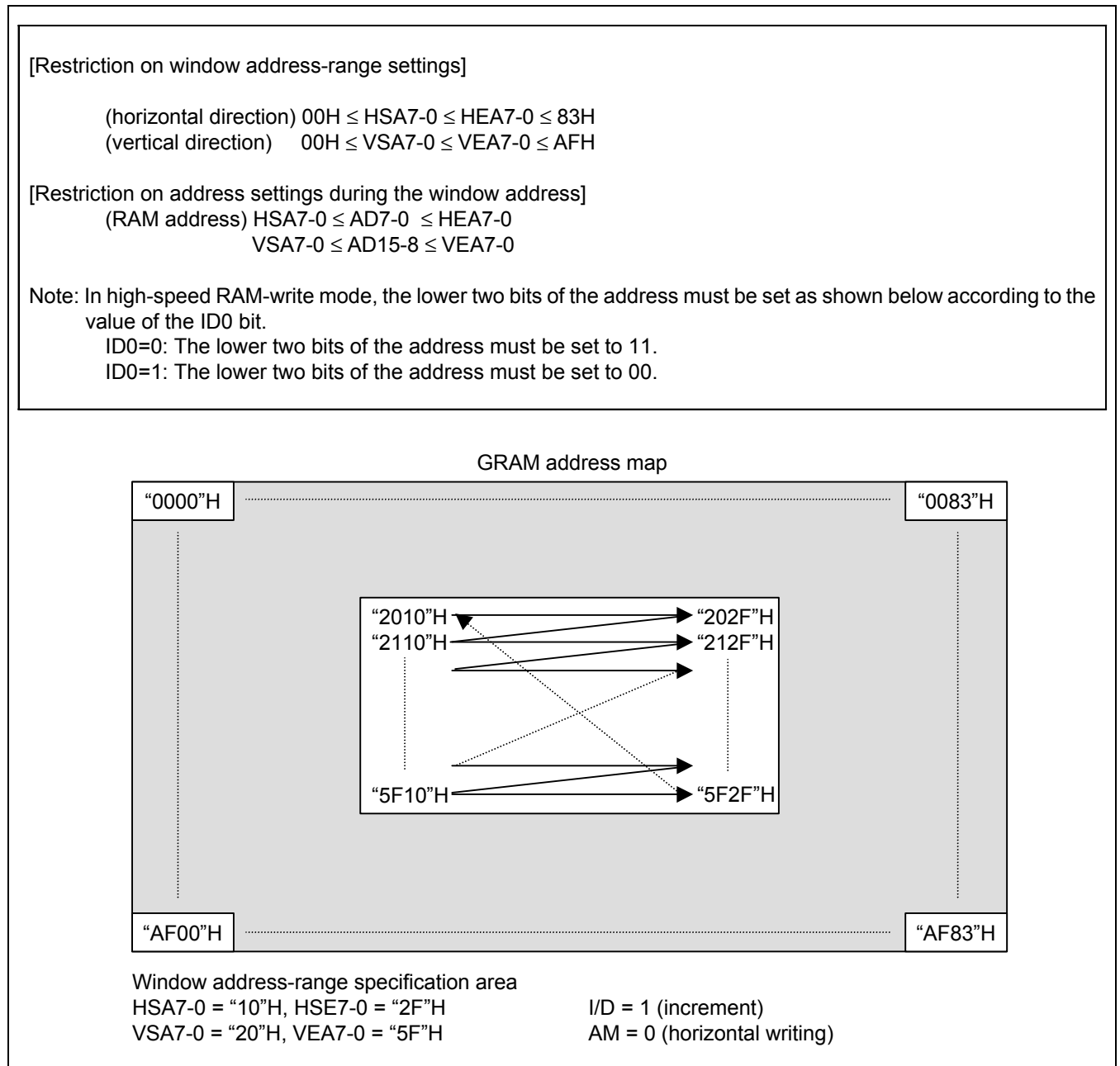
**Figure 68. Example of High-speed RAM Write with a window address-range specification**

*Preliminary***WINDOW ADDRESS FUNCTION**

When data is written to the on-chip GRAM, a window address-range which is specified by the horizontal address register (start: HSA7-0, end: HEA7-0) and vertical address register (start: VSA7-0, end: VEA7-0) can be updated consecutively.

Data is written to addresses in the direction specified by the AM and ID1-0bit. When image data, etc. is being written, data can be written consecutively without thinking a data wrap by doing this.

The window must be specified to be within the GRAM address area described as following example. Addresses must be set within the window address.



**Figure 69. Example of address operation in the window address specification**

*Preliminary***GRAPHICS OPERATION FUNCTION**

The S6D0114 can greatly reduce the load of the microcomputer graphics software processing through the 16-bit bus architecture and internal graphics-bit operation function. This function supports the following:

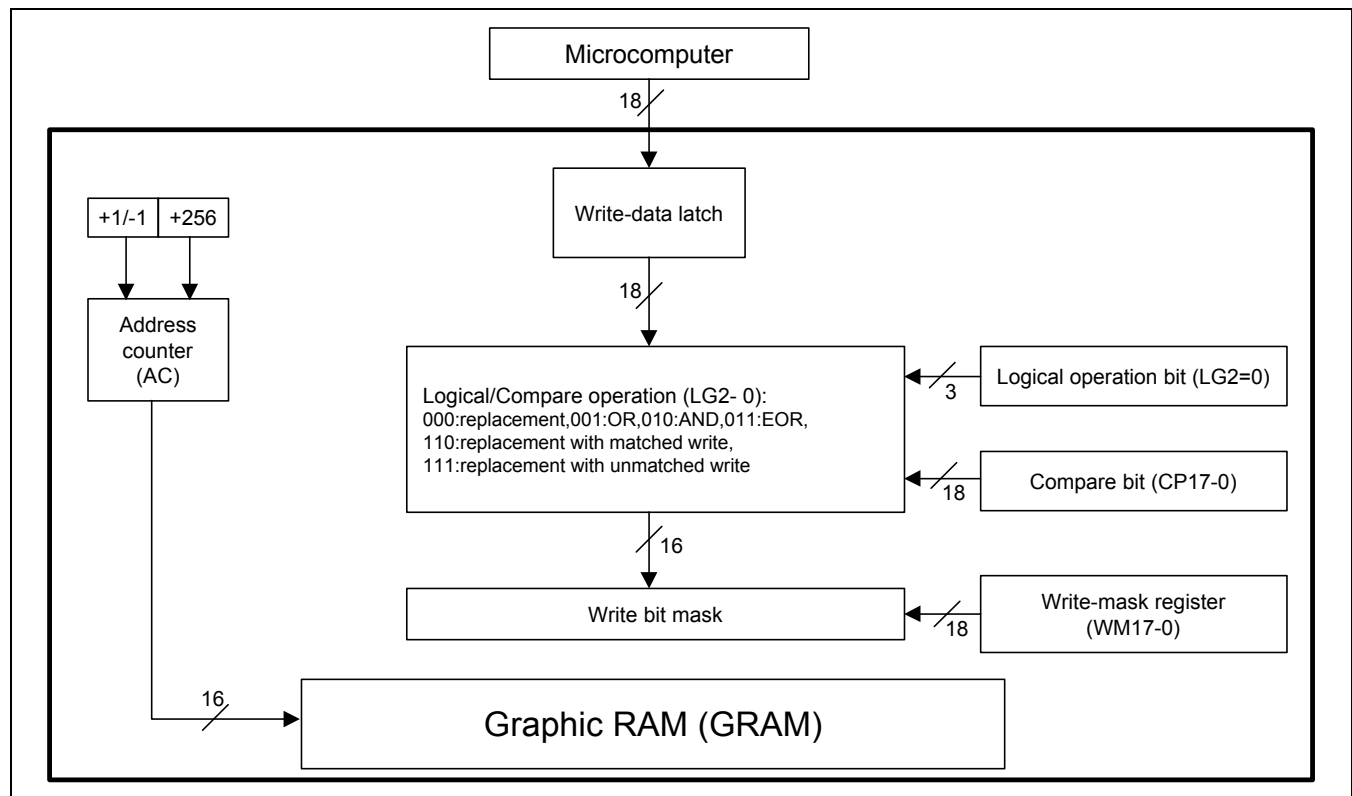
1. A write data mask function that selectively rewrites some of the bits in the 18-bit write data.
2. A logical operation write function that writes the data sent from the microcomputer and the original RAM data by a logical operation.
3. A conditional write function that compares the original RAM data or write data and the compare-bit data and writes the data sent from the microcomputer only when the conditions match.

Even if the display size is large, the display data in the graphics RAM (GRAM) can be quickly rewritten.

The graphics bit operation can be controlled by combining the entry mode register, the bit set value of the RAM-write-data mask register, and the read/write from the microcomputer.

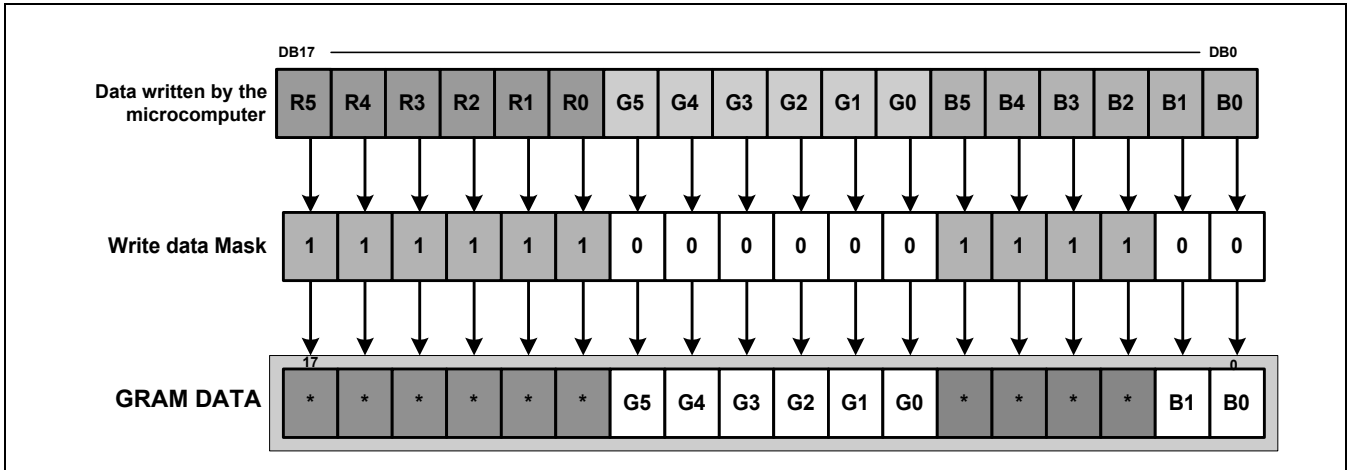
**Table 35. Graphics Operation**

Operation mode	Bit setting			Operation and usage
	I/D	AM	LG2-0	
Write mode 1	0/1	0	000	Horizontal data replacement
Write mode 2	0/1	1	000	Vertical data replacement
Write mode 3	0/1	0	110 111	Conditional horizontal data replacement
Write mode 4	0/1	1	110 111	Conditional vertical data replacement

**Figure 70. Data processing flow of graphic operation**

## WRITE-DATA MASK FUNCTION

The S6D0114 has a bit-wise write-data mask function that controls writing the two-byte data from the microcomputer to the GRAM. Bits that are 0 in the write-data mask register (WM17–0) cause the corresponding DB bit to be written to the GRAM. Bits that are 1 prevent writing to the corresponding GRAM bit to the GRAM; the data in the GRAM is maintained. This function can be used when only one-pixel data is rewritten or the particular display color is selectively rewritten.



**Figure 71. Example of write-data mask function operation**

**Note:** Data is expanded to 18 bits when 16-/8-bit system and 16-bit RGB interface is in use.



2. Write mode 2: AM = 1, LG2-0 = 000

This mode is used when the data is vertically written at high speed. It can also be used to initialize the GRAM, develop the font pattern in the vertical direction, or draw borders. The write-data mask function (WM17-0) is also enabled in these operations. After writing, the address counter (AC) automatically increments by 256, and automatically jumps to the upper-right edge (I/D = 1) or upper-left edge (I/D = 0) following the I/D bit after it has reached the lower edge of the GRAM.

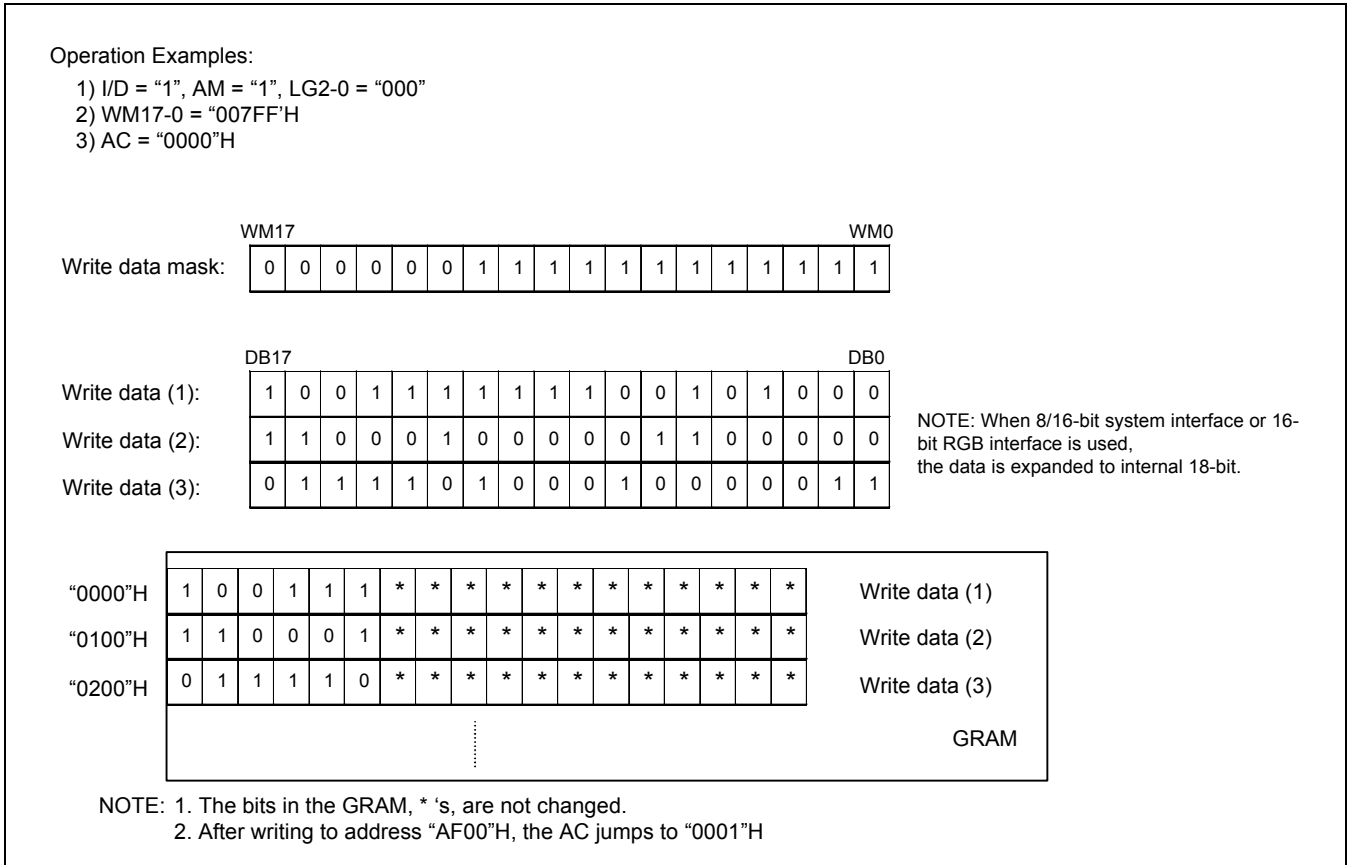


Figure 73. Writing operation of write mode 2





4. Write mode 4: AM =1, LG2-0 = 110/111

This mode is used when a vertical comparison is performed between the write data and the set value of the compare register (CP15–0) to write the data. When the result by the comparison in a byte unit satisfies the condition, the write data sent from the microcomputer is written to the GRAM. In this operation, the write-data mask function (WM15–0) are also enabled. After writing, the address counter (AC) automatically increments by 256, and automatically jumps to the upper-right edge (I/D = 1) or upper-left edge (I/D = 0) after it has reached the lower edge of the GRAM.

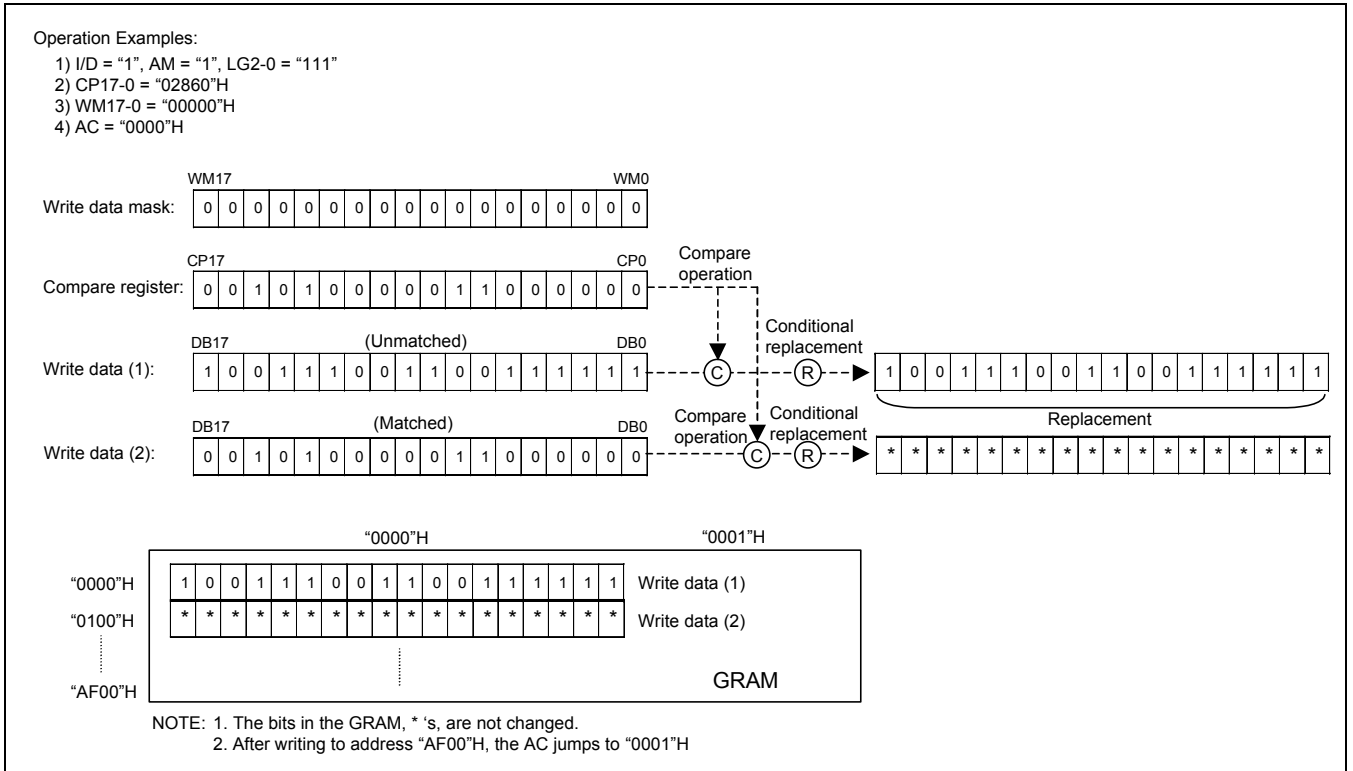


Figure 75. Writing operation of write mode 4

*Preliminary*

### GATE DRIVER SCAN MODE SETTING

Gate scan mode of S6D0114 is set by SM and GS bit. GS bit determines the scan direction whether the gate driver scans forward or reverse direction. SM bit determines the method of display division (Even/Odd or Upper/Lower division drive). Using this function, various connections between S6D0114 and the liquid crystal panels can be accomplished

**Figure 76. Scan mode setting**

SM	GS	Scan Mode	
0	0		<p>G1→G2→G3→ G4→...→G173→ G174→G175→G176</p>
0	1		<p>G174→G175→G176 G173→...→G4→ G1→G2→G3→</p>
1	0		<p>G1→G3→ G5→...→G173→G175 G2→G4→ G6→...→G174→G176</p>
1	1		<p>G176→G174→ G172→...→G4→G2 G175→G173→ G171→...→G3→G1</p>

### GAMMA ADJUSTMENT FUNCTION

The S6D0114 provides the gamma adjustment function to display 262,144 colors simultaneously. The gamma adjustment executed by the gradient adjustment register and the micro-adjustment register that determines 8 grayscale levels. Furthermore, since the gradient adjustment register and the micro-adjustment register have the positive polarities and negative polarities, adjust them to match LCD panel respectively.

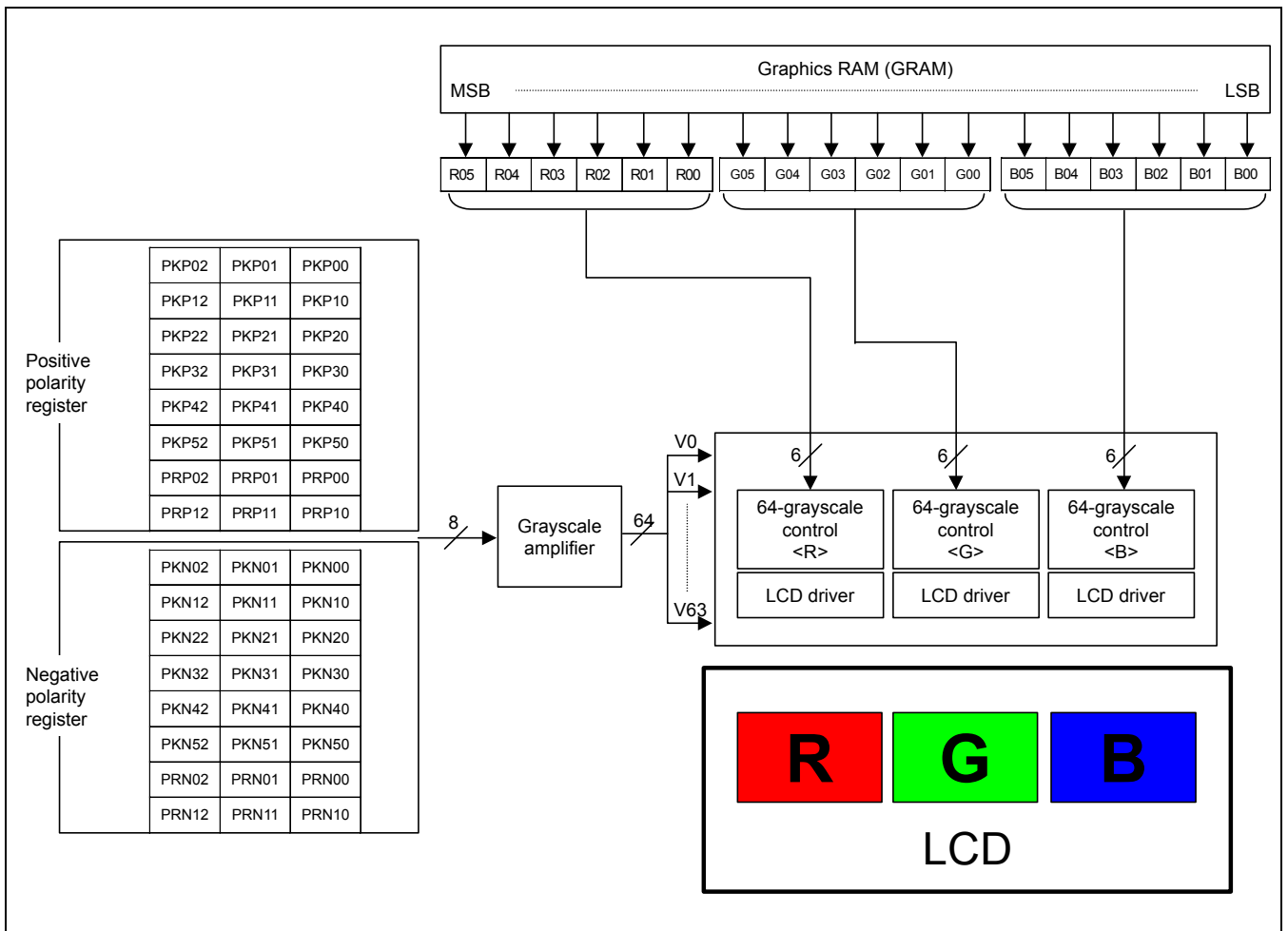


Figure 77. Grayscale control

*Preliminary*

## STRUCTURE OF GRAYSCALE AMPLIFIER

The structure of the grayscale amplifier is shown as below. Determine 8-level (VIN0-VIN7) by the gradient adjuster and the micro adjustment register. Each level is split by the internal ladder resistance and level between V0 to V63 is generated.

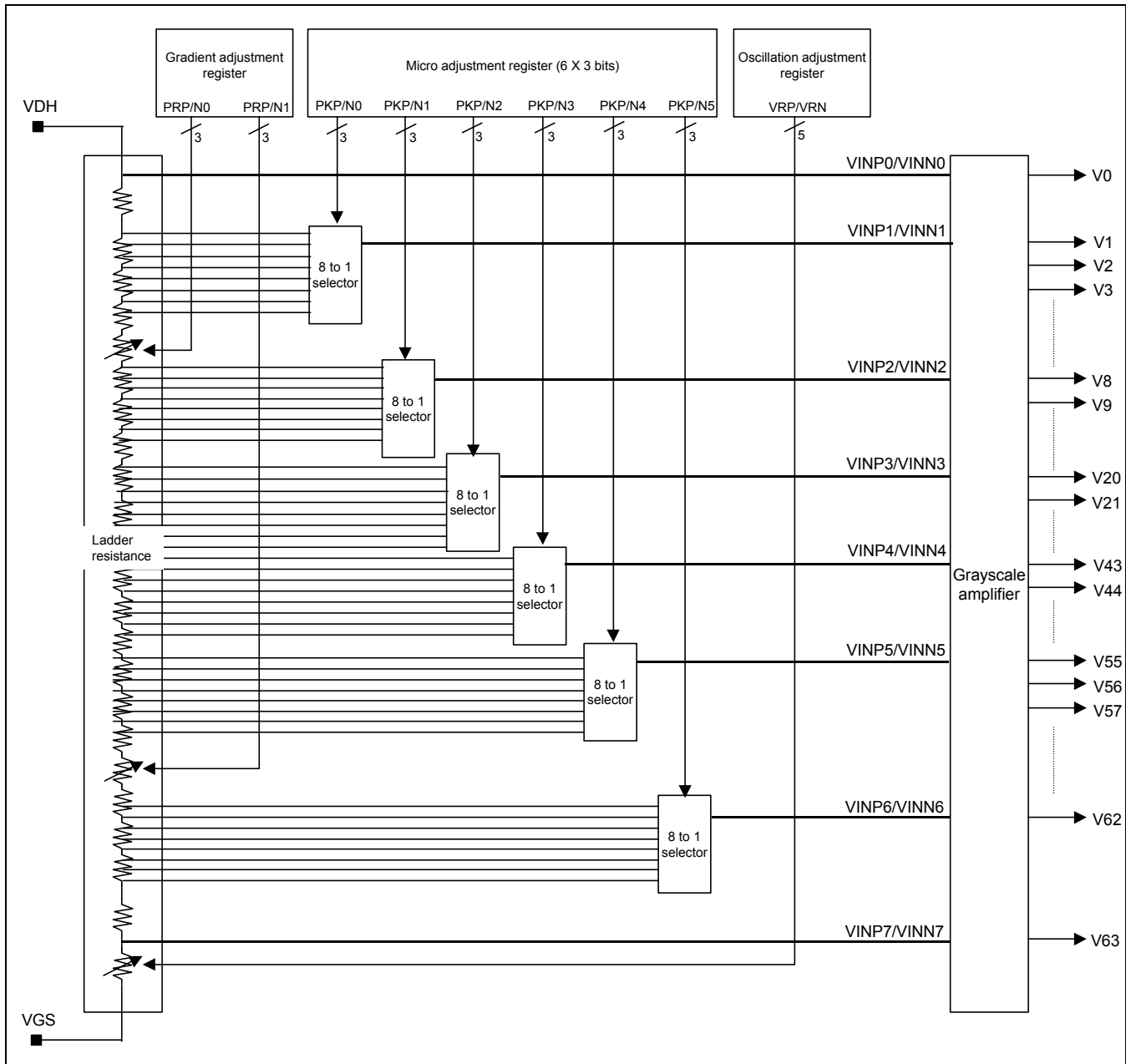


Figure 78. Structure of grayscale amplifier

Preliminary

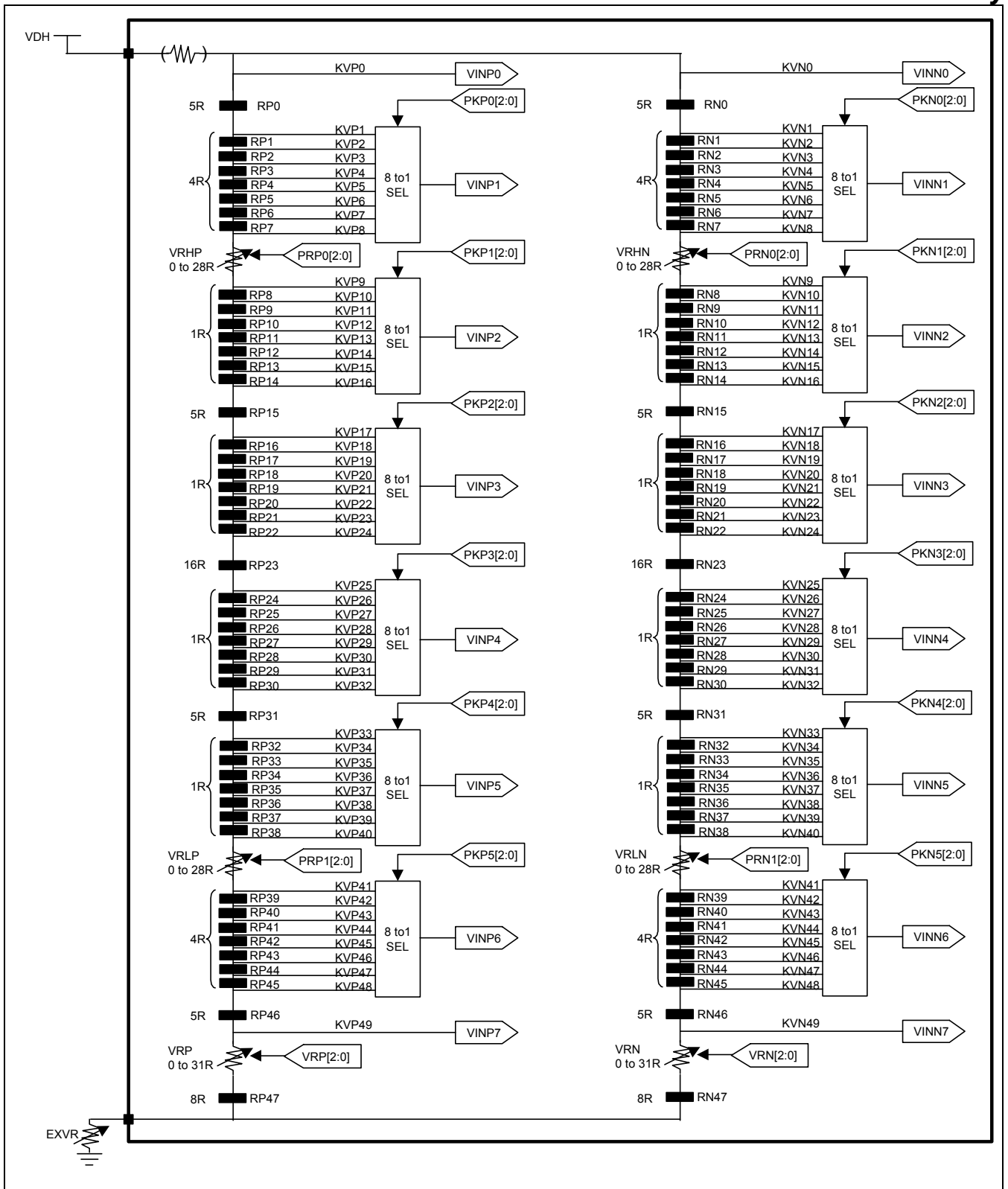
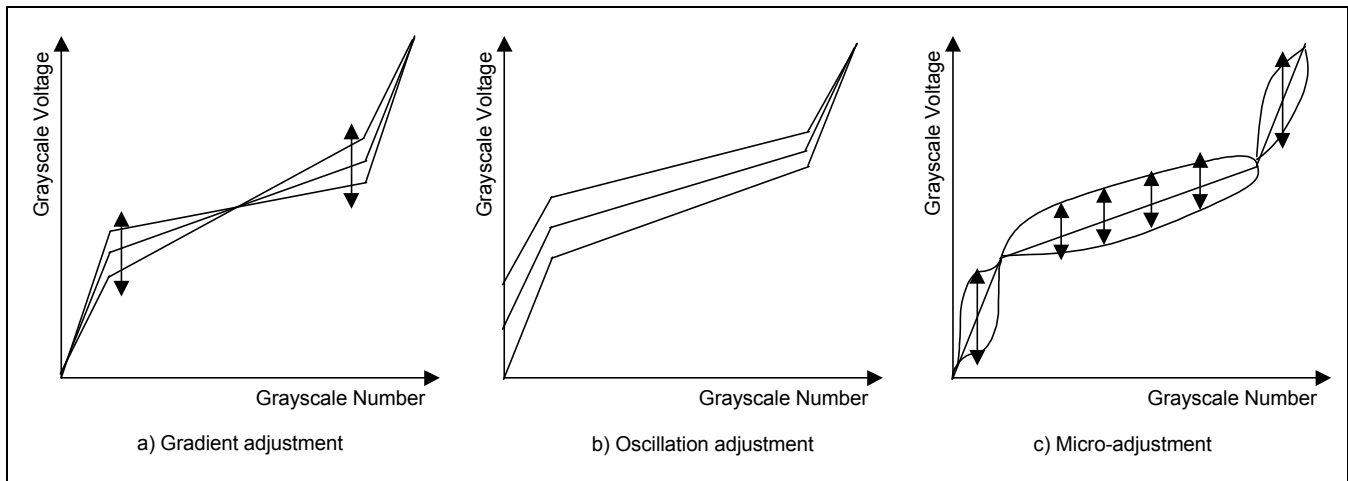


Figure 79. Structure of Ladder / 8 to 1 selector

**Preliminary****GAMMA ADJUSTMENT REGISTER**

This block has the register to set up the grayscale voltage adjusting to the gamma specification of the LCD panel. These registers can independently set up to positive/negative polarities and there are 3 types of register groups to adjust gradient and oscillation on number of the grayscale, characteristics of the grayscale voltage. (average <R><G><B> are common.) The following figure indicates the operation of each adjusting register.



**Figure 80. The operation of adjusting register**

**a) Gradient adjustment resistor**

The gradient adjustment resistors are used to adjust the gradient in the middle of the grayscale characteristics for the voltage without changing the dynamic range. To accomplish the adjustment, it controls the variable resistor (VRHP (N) / VRL (N)) of the ladder resistor for the grayscale voltage generator. Also, there is an independent resistor on the positive/negative polarities in order for corresponding to asymmetry drive.

**b) Oscillation adjustment resistor**

The oscillation-adjusting resistor is to adjust oscillation of the grayscale voltage. To accomplish the adjustment, it controls the variable resistor (VRP (N)) of the ladder resistor for the grayscale voltage generator located at lower side of the ladder resistor. (Adjust upper side by input GVDD level.) Also, there is an independent resistor on the positive/negative polarities as well as the gradient adjusting resistor.

**c) Micro adjustment resistor**

The micro adjustment resistor is to make subtle adjustment of the grayscale voltage level. To accomplish the adjustment, it controls the each reference voltage level by the 8 to 1 selector towards the 8-leveled reference voltage generated from the ladder resistor. Also, there is an independent resistor on the positive/negative polarities as well as other adjusting resistors.

**Preliminary****Table 36. Gamma correction registers**

Register	Positive polarity	Negative polarity	Set-up contents
Gradient adjustment	PRP0[2:0]	PRN0[2:0]	Variable resistor VRHP(N)
	PRP1[2:0]	PRN1[2:0]	Variable resistor VRLP(N)
Oscillation adjustment	VRP[4:0]	VRN[4:0]	Variable resistor VRP(N)
Micro-adjustment	PKP0[2:0]	PKN0[2:0]	The voltage of grayscale number 1 is selected by the 8 to 1 selector
	PKP1[2:0]	PKN1[2:0]	The voltage of grayscale number 8 is selected by the 8 to 1 selector
	PKP3[2:0]	PKN3[2:0]	The voltage of grayscale number 20 is selected by the 8 to 1 selector
	PKP4[2:0]	PKN4[2:0]	The voltage of grayscale number 43 is selected by the 8 to 1 selector
	PKP5[2:0]	PKN5[2:0]	The voltage of grayscale number 55 is selected by the 8 to 1 selector
	PKP6[2:0]	PKN6[2:0]	The voltage of grayscale number 62 is selected by the 8 to 1 selector

*Preliminary***LADDER RESISTOR/8 TO 1 SELECTOR**

This block outputs the reference voltage of the grayscale voltage. There are two ladder resistors including the variable resistor and the 8 to 1 selector selecting voltage generated by the ladder resistance voltage. The variable and 8 to 1 resistors are controlled by the gamma resistor. Also, there are pins that connect to the external volume resistor. And it allows to compensate the dispersion of length between one panel to another.

**VARIABLE RESISTOR**

There are 2 types of the variable resistors that is for the gradient adjustment (VRHP (N) / VRLP (N)) and for the oscillation adjustment (VRP (N)). The resistance value is set by the gradient adjusting resistor and the oscillation adjustment resistor as below.

**Table 37. Gradient Adjustment**

Register value PRP(N) [2:0]	Resistance value PRP(N)
000	0R
001	4R
010	8R
011	12R
100	16R
101	20R
110	24R
111	28R

**Table 38. Oscillation Adjustment**

Register value VRP(N) [2:0]	Resistance value VRP(N)
00000	0R
00001	1R
00010	2R
.	.
.	.
.	.
11101	29R
11110	30R
11111	31R



**THE 8 TO 1 SELECTOR**

In the 8 to 1 selector, the voltage level must be selected given by the ladder resistance and the micro-adjusting register. And output the voltage the six types of the reference voltage, the VIN1- to VIN6.

Following figure explains the relationship between the micro-adjusting register and the selecting voltage.

**Table 39. Relationship between Micro-adjustment Register and Selected Voltage**

Register value PKP(N) [2:0]	Selected voltage					
	VINP(N)1	VINP(N)2	VINP(N)3	VINP(N)4	VINP(N)5	VINP(N)6
000	KVP(N)1	KVP(N)9	KVP(N)17	KVP(N)25	KVP(N)33	KVP(N)41
001	KVP(N)2	KVP(N)10	KVP(N)18	KVP(N)26	KVP(N)34	KVP(N)42
010	KVP(N)3	KVP(N)11	KVP(N)19	KVP(N)27	KVP(N)35	KVP(N)43
011	KVP(N)4	KVP(N)12	KVP(N)20	KVP(N)28	KVP(N)36	KVP(N)44
100	KVP(N)5	KVP(N)13	KVP(N)21	KVP(N)29	KVP(N)37	KVP(N)45
101	KVP(N)6	KVP(N)14	KVP(N)22	KVP(N)30	KVP(N)38	KVP(N)46
110	KVP(N)7	KVP(N)15	KVP(N)23	KVP(N)31	KVP(N)39	KVP(N)47
111	KVP(N)8	KVP(N)16	KVP(N)24	KVP(N)32	KVP(N)40	KVP(N)48

**Preliminary****Table 40. Gamma Adjusting Voltage Formula (Positive polarity) 1**

Pins	Formula	Micro-adjusting register value	Reference voltage
KVP0	GVDD	-	VINP0
KVP1	$GVDD - \Delta V * 5R / SUMRP$	PKP02-00 = "000"	VINP1
KVP2	$GVDD - \Delta V * 9R / SUMRP$	PKP02-00 = "001"	
KVP3	$GVDD - \Delta V * 13R / SUMRP$	PKP02-00 = "010"	
KVP4	$GVDD - \Delta V * 17R / SUMRP$	PKP02-00 = "011"	
KVP5	$GVDD - \Delta V * 21R / SUMRP$	PKP02-00 = "100"	
KVP6	$GVDD - \Delta V * 25R / SUMRP$	PKP02-00 = "101"	
KVP7	$GVDD - \Delta V * 29R / SUMRP$	PKP02-00 = "110"	
KVP8	$GVDD - \Delta V * 33R / SUMRP$	PKP02-00 = "111"	
KVP9	$GVDD - \Delta V * (33R + VRHP) / SUMRP$	PKP12-10 = "000"	VINP2
KVP10	$GVDD - \Delta V * (34R + VRHP) / SUMRP$	PKP12-10 = "001"	
KVP11	$GVDD - \Delta V * (35R + VRHP) / SUMRP$	PKP12-10 = "010"	
KVP12	$GVDD - \Delta V * (36R + VRHP) / SUMRP$	PKP12-10 = "011"	
KVP13	$GVDD - \Delta V * (37R + VRHP) / SUMRP$	PKP12-10 = "100"	
KVP14	$GVDD - \Delta V * (38R + VRHP) / SUMRP$	PKP12-10 = "101"	
KVP15	$GVDD - \Delta V * (39R + VRHP) / SUMRP$	PKP12-10 = "110"	
KVP16	$GVDD - \Delta V * (40R + VRHP) / SUMRP$	PKP12-10 = "111"	
KVP17	$GVDD - \Delta V * (45R + VRHP) / SUMRP$	PKP22-20 = "000"	VINP3
KVP18	$GVDD - \Delta V * (46R + VRHP) / SUMRP$	PKP22-20 = "001"	
KVP19	$GVDD - \Delta V * (47R + VRHP) / SUMRP$	PKP22-20 = "010"	
KVP20	$GVDD - \Delta V * (48R + VRHP) / SUMRP$	PKP22-20 = "011"	
KVP21	$GVDD - \Delta V * (49R + VRHP) / SUMRP$	PKP22-20 = "100"	
KVP22	$GVDD - \Delta V * (50R + VRHP) / SUMRP$	PKP22-20 = "101"	
KVP23	$GVDD - \Delta V * (51R + VRHP) / SUMRP$	PKP22-20 = "110"	
KVP24	$GVDD - \Delta V * (52R + VRHP) / SUMRP$	PKP22-20 = "111"	
KVP25	$GVDD - \Delta V * (68R + VRHP) / SUMRP$	PKP32-30 = "000"	VINP4
KVP26	$GVDD - \Delta V * (69R + VRHP) / SUMRP$	PKP32-30 = "001"	
KVP27	$GVDD - \Delta V * (70R + VRHP) / SUMRP$	PKP32-30 = "010"	
KVP28	$GVDD - \Delta V * (71R + VRHP) / SUMRP$	PKP32-30 = "011"	
KVP29	$GVDD - \Delta V * (72R + VRHP) / SUMRP$	PKP32-30 = "100"	
KVP30	$GVDD - \Delta V * (73R + VRHP) / SUMRP$	PKP32-30 = "101"	
KVP31	$GVDD - \Delta V * (74R + VRHP) / SUMRP$	PKP32-30 = "110"	
KVP32	$GVDD - \Delta V * (75R + VRHP) / SUMRP$	PKP32-30 = "111"	
KVP33	$GVDD - \Delta V * (80R + VRHP) / SUMRP$	PKP42-40 = "000"	VINP5
KVP34	$GVDD - \Delta V * (81R + VRHP) / SUMRP$	PKP42-40 = "001"	
KVP35	$GVDD - \Delta V * (82R + VRHP) / SUMRP$	PKP42-40 = "010"	
KVP36	$GVDD - \Delta V * (83R + VRHP) / SUMRP$	PKP42-40 = "011"	
KVP37	$GVDD - \Delta V * (84R + VRHP) / SUMRP$	PKP42-40 = "100"	
KVP38	$GVDD - \Delta V * (85R + VRHP) / SUMRP$	PKP42-40 = "101"	
KVP39	$GVDD - \Delta V * (86R + VRHP) / SUMRP$	PKP42-40 = "110"	
KVP40	$GVDD - \Delta V * (87R + VRHP) / SUMRP$	PKP42-40 = "111"	
KVP41	$GVDD - \Delta V * (87R + VRHP + VRLP) / SUMRP$	PKP52-50 = "000"	VINP6
KVP42	$GVDD - \Delta V * (91R + VRHP + VRLP) / SUMRP$	PKP52-50 = "001"	
KVP43	$GVDD - \Delta V * (95R + VRHP + VRLP) / SUMRP$	PKP52-50 = "010"	
KVP44	$GVDD - \Delta V * (99R + VRHP + VRLP) / SUMRP$	PKP52-50 = "011"	
KVP45	$GVDD - \Delta V * (103R + VRHP + VRLP) / SUMRP$	PKP52-50 = "100"	
KVP46	$GVDD - \Delta V * (107R + VRHP + VRLP) / SUMRP$	PKP52-50 = "101"	
KVP47	$GVDD - \Delta V * (111R + VRHP + VRLP) / SUMRP$	PKP52-50 = "110"	
KVP48	$GVDD - \Delta V * (115R + VRHP + VRLP) / SUMRP$	PKP52-50 = "111"	
KVP49	$GVDD - \Delta V * (120R + VRHP + VRLP) / SUMRP$	-	VINP7

SUMRP: Total of the positive polarity ladder resistance = 128R + VRHP + VRLP + VRP

SUMRN: Total of the negative polarity ladder resistance = 128R + VRHN + VRLN + VRN

 $\Delta V$ : Potential difference between KV0 and KV49 =  $GVDD * SUMRP * SUMRN / [SUMRP * SUMRN + EXVR * (SUMRP + SUMRN)]$

**Preliminary****Table 41. Gamma Voltage Formula (Positive Polarity) 2**

Grayscale voltage	Formula	Grayscale voltage	Formula
V0	VINP0	V32	$V43+(V20-V43)^*(11/23)$
V1	VINP1	V33	$V43+(V20-V43)^*(10/23)$
V2	$V3+(V1-V3)^*(8/24)$	V34	$V43+(V20-V43)^*(9/23)$
V3	$V8+(V1-V8)^*(450/800)$	V35	$V43+(V20-V43)^*(8/23)$
V4	$V8+(V3-V8)^*(16/24)$	V36	$V43+(V20-V43)^*(7/23)$
V5	$V8+(V3-V8)^*(12/24)$	V37	$V43+(V20-V43)^*(6/23)$
V6	$V8+(V3-V8)^*(8/24)$	V38	$V43+(V20-V43)^*(5/23)$
V7	$V8+(V3-V8)^*(4/24)$	V39	$V43+(V20-V43)^*(4/23)$
V8	VINP2	V40	$V43+(V20-V43)^*(3/23)$
V9	$V20+(V8-V20)^*(22/24)$	V41	$V43+(V20-V43)^*(2/23)$
V10	$V20+(V8-V20)^*(20/24)$	V42	$V43+(V20-V43)^*(1/23)$
V11	$V20+(V8-V20)^*(18/24)$	V43	VINP4
V12	$V20+(V8-V20)^*(16/24)$	V44	$V55+(V43-V55)^*(22/24)$
V13	$V20+(V8-V20)^*(14/24)$	V45	$V55+(V43-V55)^*(20/24)$
V14	$V20+(V8-V20)^*(12/24)$	V46	$V55+(V43-V55)^*(18/24)$
V15	$V20+(V8-V20)^*(10/24)$	V47	$V55+(V43-V55)^*(16/24)$
V16	$V20+(V8-V20)^*(8/24)$	V48	$V55+(V43-V55)^*(14/24)$
V17	$V20+(V8-V20)^*(6/24)$	V49	$V55+(V43-V55)^*(12/24)$
V18	$V20+(V8-V20)^*(4/24)$	V50	$V55+(V43-V55)^*(10/24)$
V19	$V20+(V8-V20)^*(2/24)$	V51	$V55+(V43-V55)^*(8/24)$
V20	VINP3	V52	$V55+(V43-V55)^*(6/24)$
V21	$V43+(V20-V43)^*(22/23)$	V53	$V55+(V43-V55)^*(4/24)$
V22	$V43+(V20-V43)^*(21/23)$	V54	$V55+(V43-V55)^*(2/24)$
V23	$V43+(V20-V43)^*(20/23)$	V55	VINP5
V24	$V43+(V20-V43)^*(19/23)$	V56	$V60+(V55-V60)^*(20/24)$
V25	$V43+(V20-V43)^*(18/23)$	V57	$V60+(V55-V60)^*(16/24)$
V26	$V43+(V20-V43)^*(17/23)$	V58	$V60+(V55-V60)^*(12/24)$
V27	$V43+(V20-V43)^*(16/23)$	V59	$V60+(V55-V60)^*(8/24)$
V28	$V43+(V20-V43)^*(15/23)$	V60	$V62+(V55-V62)^*(350/800)$
V29	$V43+(V20-V43)^*(14/23)$	V61	$V62+(V60-V62)^*(16/24)$
V30	$V43+(V20-V43)^*(13/23)$	V62	VINP6
V31	$V43+(V20-V43)^*(12/23)$	V63	VINP7

**Preliminary****Table 42. Gamma Adjusting Voltage Formula (Negative polarity) 1**

Pins	Formula	Micro-adjusting register value	Reference voltage
KVN0	GVDD	-	VINNO
KVN1	$GVDD - \Delta V * 5R / SUMRN$	PKN02-00 = "000"	VINN1
KVN2	$GVDD - \Delta V * 9R / SUMRN$	PKN02-00 = "001"	
KVN3	$GVDD - \Delta V * 13R / SUMRN$	PKN02-00 = "010"	
KVN4	$GVDD - \Delta V * 17R / SUMRN$	PKN02-00 = "011"	
KVN5	$GVDD - \Delta V * 21R / SUMRN$	PKN02-00 = "100"	
KVN6	$GVDD - \Delta V * 25R / SUMRN$	PKN02-00 = "101"	
KVN7	$GVDD - \Delta V * 29R / SUMRN$	PKN02-00 = "110"	
KVN8	$GVDD - \Delta V * 33R / SUMRN$	PKN02-00 = "111"	
KVN9	$GVDD - \Delta V * (33R + VRHN) / SUMRN$	PKN12-10 = "000"	VINN2
KVN10	$GVDD - \Delta V * (34R + VRHN) / SUMRN$	PKN12-10 = "001"	
KVN11	$GVDD - \Delta V * (35R + VRHN) / SUMRN$	PKN12-10 = "010"	
KVN12	$GVDD - \Delta V * (36R + VRHN) / SUMRN$	PKN12-10 = "011"	
KVN13	$GVDD - \Delta V * (37R + VRHN) / SUMRN$	PKN12-10 = "100"	
KVN14	$GVDD - \Delta V * (38R + VRHN) / SUMRN$	PKN12-10 = "101"	
KVN15	$GVDD - \Delta V * (39R + VRHN) / SUMRN$	PKN12-10 = "110"	
KVN16	$GVDD - \Delta V * (40R + VRHN) / SUMRN$	PKN12-10 = "111"	
KVN17	$GVDD - \Delta V * (45R + VRHN) / SUMRN$	PKN22-20 = "000"	VINN3
KVN18	$GVDD - \Delta V * (46R + VRHN) / SUMRN$	PKN22-20 = "001"	
KVN19	$GVDD - \Delta V * (47R + VRHN) / SUMRN$	PKN22-20 = "010"	
KVN20	$GVDD - \Delta V * (48R + VRHN) / SUMRN$	PKN22-20 = "011"	
KVN21	$GVDD - \Delta V * (49R + VRHN) / SUMRN$	PKN22-20 = "100"	
KVN22	$GVDD - \Delta V * (50R + VRHN) / SUMRN$	PKN22-20 = "101"	
KVN23	$GVDD - \Delta V * (51R + VRHN) / SUMRN$	PKN22-20 = "110"	
KVN24	$GVDD - \Delta V * (52R + VRHN) / SUMRN$	PKN22-20 = "111"	
KVN25	$GVDD - \Delta V * (68R + VRHN) / SUMRN$	PKN32-30 = "000"	VINN4
KVN26	$GVDD - \Delta V * (69R + VRHN) / SUMRN$	PKN32-30 = "001"	
KVN27	$GVDD - \Delta V * (70R + VRHN) / SUMRN$	PKN32-30 = "010"	
KVN28	$GVDD - \Delta V * (71R + VRHN) / SUMRN$	PKN32-30 = "011"	
KVN29	$GVDD - \Delta V * (72R + VRHN) / SUMRN$	PKN32-30 = "100"	
KVN30	$GVDD - \Delta V * (73R + VRHN) / SUMRN$	PKN32-30 = "101"	
KVN31	$GVDD - \Delta V * (74R + VRHN) / SUMRN$	PKN32-30 = "110"	
KVN32	$GVDD - \Delta V * (75R + VRHN) / SUMRN$	PKN32-30 = "111"	
KVN33	$GVDD - \Delta V * (80R + VRHN) / SUMRN$	PKN42-40 = "000"	VINN5
KVN34	$GVDD - \Delta V * (81R + VRHN) / SUMRN$	PKN42-40 = "001"	
KVN35	$GVDD - \Delta V * (82R + VRHN) / SUMRN$	PKN42-40 = "010"	
KVN36	$GVDD - \Delta V * (83R + VRHN) / SUMRN$	PKN42-40 = "011"	
KVN37	$GVDD - \Delta V * (84R + VRHN) / SUMRN$	PKN42-40 = "100"	
KVN38	$GVDD - \Delta V * (85R + VRHN) / SUMRN$	PKN42-40 = "101"	
KVN39	$GVDD - \Delta V * (86R + VRHN) / SUMRN$	PKN42-40 = "110"	
KVN40	$GVDD - \Delta V * (87R + VRHN) / SUMRN$	PKN42-40 = "111"	
KVN41	$GVDD - \Delta V * (87R + VRHN + VRLN) / SUMRN$	PKN52-50 = "000"	VINN6
KVN42	$GVDD - \Delta V * (91R + VRHN + VRLN) / SUMRN$	PKN52-50 = "001"	
KVN43	$GVDD - \Delta V * (95R + VRHN + VRLN) / SUMRN$	PKN52-50 = "010"	
KVN44	$GVDD - \Delta V * (99R + VRHN + VRLN) / SUMRN$	PKN52-50 = "011"	
KVN45	$GVDD - \Delta V * (103R + VRHN + VRLN) / SUMRN$	PKN52-50 = "100"	
KVN46	$GVDD - \Delta V * (107R + VRHN + VRLN) / SUMRN$	PKN52-50 = "101"	
KVN47	$GVDD - \Delta V * (111R + VRHN + VRLN) / SUMRN$	PKN52-50 = "110"	
KVN48	$GVDD - \Delta V * (115R + VRHN + VRLN) / SUMRN$	PKN52-50 = "111"	
KVN49	$GVDD - \Delta V * (120R + VRHN + VRLN) / SUMRN$	-	VINN7

SUMRP: Total of the positive polarity ladder resistance = 128R + VRHP + VRLP + VRP

SUMRN: Total of the negative polarity ladder resistance = 128R + VRHN + VRLN + VRN

 $\Delta V$ : Potential difference between KV0 and KV49 =  $GVDD * SUMRP * SUMRN / [SUMRP * SUMRN + EXVR * (SUMRP + SUMRN)]$

**Preliminary****Table 43. Gamma Voltage Formula (Negative Polarity) 2**

Grayscale voltage	Formula	Grayscale voltage	Formula
V0	VINN0	V32	$V43+(V20-V43)^*(11/23)$
V1	VINN1	V33	$V43+(V20-V43)^*(10/23)$
V2	$V3+(V1-V3)^*(8/24)$	V34	$V43+(V20-V43)^*(9/23)$
V3	$V8+(V1-V8)^*(450/800)$	V35	$V43+(V20-V43)^*(8/23)$
V4	$V8+(V3-V8)^*(16/24)$	V36	$V43+(V20-V43)^*(7/23)$
V5	$V8+(V3-V8)^*(12/24)$	V37	$V43+(V20-V43)^*(6/23)$
V6	$V8+(V3-V8)^*(8/24)$	V38	$V43+(V20-V43)^*(5/23)$
V7	$V8+(V3-V8)^*(4/24)$	V39	$V43+(V20-V43)^*(4/23)$
V8	VINN2	V40	$V43+(V20-V43)^*(3/23)$
V9	$V20+(V8-V20)^*(22/24)$	V41	$V43+(V20-V43)^*(2/23)$
V10	$V20+(V8-V20)^*(20/24)$	V42	$V43+(V20-V43)^*(1/23)$
V11	$V20+(V8-V20)^*(18/24)$	V43	VINN4
V12	$V20+(V8-V20)^*(16/24)$	V44	$V55+(V43-V55)^*(22/24)$
V13	$V20+(V8-V20)^*(14/24)$	V45	$V55+(V43-V55)^*(20/24)$
V14	$V20+(V8-V20)^*(12/24)$	V46	$V55+(V43-V55)^*(18/24)$
V15	$V20+(V8-V20)^*(10/24)$	V47	$V55+(V43-V55)^*(16/24)$
V16	$V20+(V8-V20)^*(8/24)$	V48	$V55+(V43-V55)^*(14/24)$
V17	$V20+(V8-V20)^*(6/24)$	V49	$V55+(V43-V55)^*(12/24)$
V18	$V20+(V8-V20)^*(4/24)$	V50	$V55+(V43-V55)^*(10/24)$
V19	$V20+(V8-V20)^*(2/24)$	V51	$V55+(V43-V55)^*(8/24)$
V20	VINN3	V52	$V55+(V43-V55)^*(6/24)$
V21	$V43+(V20-V43)^*(22/23)$	V53	$V55+(V43-V55)^*(4/24)$
V22	$V43+(V20-V43)^*(21/23)$	V54	$V55+(V43-V55)^*(2/24)$
V23	$V43+(V20-V43)^*(20/23)$	V55	VINN5
V24	$V43+(V20-V43)^*(19/23)$	V56	$V60+(V55-V60)^*(20/24)$
V25	$V43+(V20-V43)^*(18/23)$	V57	$V60+(V55-V60)^*(16/24)$
V26	$V43+(V20-V43)^*(17/23)$	V58	$V60+(V55-V60)^*(12/24)$
V27	$V43+(V20-V43)^*(16/23)$	V59	$V60+(V55-V60)^*(8/24)$
V28	$V43+(V20-V43)^*(15/23)$	V60	$V62+(V55-V62)^*(350/800)$
V29	$V43+(V20-V43)^*(14/23)$	V61	$V62+(V60-V62)^*(16/24)$
V30	$V43+(V20-V43)^*(13/23)$	V62	VINN6
V31	$V43+(V20-V43)^*(12/23)$	V63	VINN7

*Preliminary*

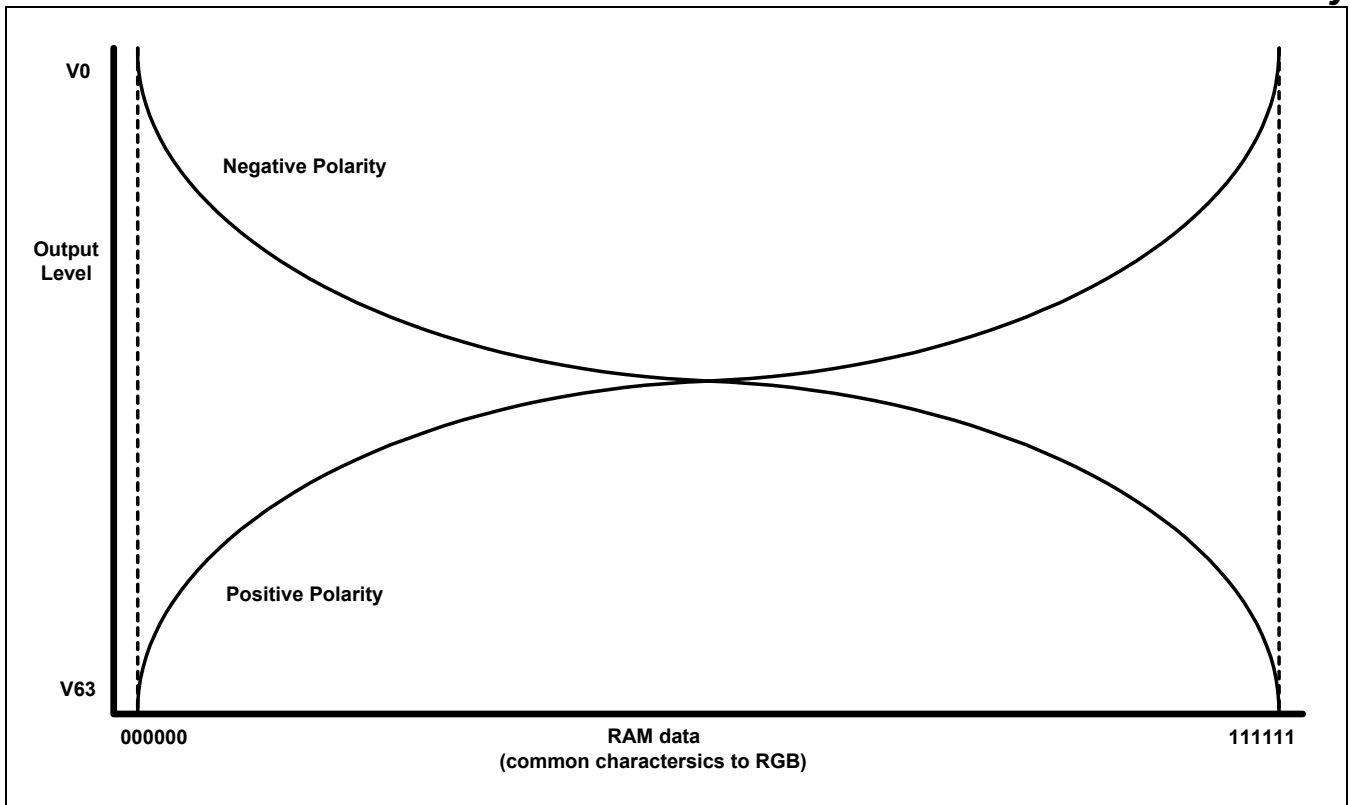


Figure 81. Relationship between RAM data and output voltage

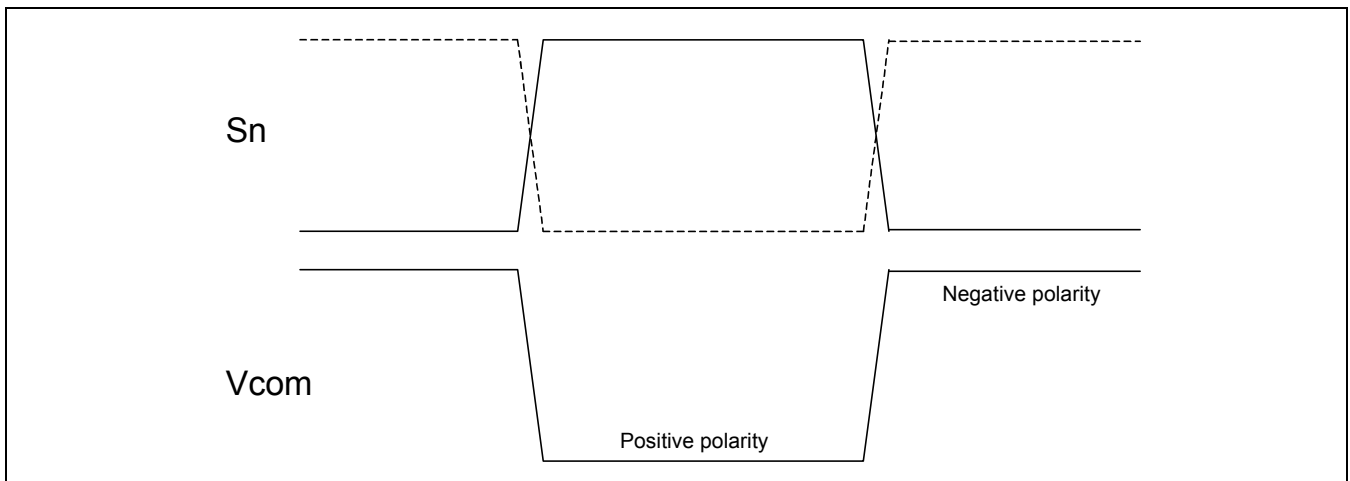


Figure 82. Relationship between source output and Vcom

### THE 8-COLOR DISPLAY MODE

The S6D0114 incorporates 8-color display mode. The grayscale levels to be used is V0 and V63 and all the other levels (V1~V62) are halt. So that it attempts to lower power consumption. During the 8-color mode, the Gamma micro adjustment register, PKP00-PKP52 and PKN00-PKN52 are invalid. Since V1-V62 is stopped, the RGB data in the GRAM should be set to 000000 or 111111 before set the mode. The level power supply (V1-V62) is in OFF condition during the 8-color mode in order to select V0/V63.

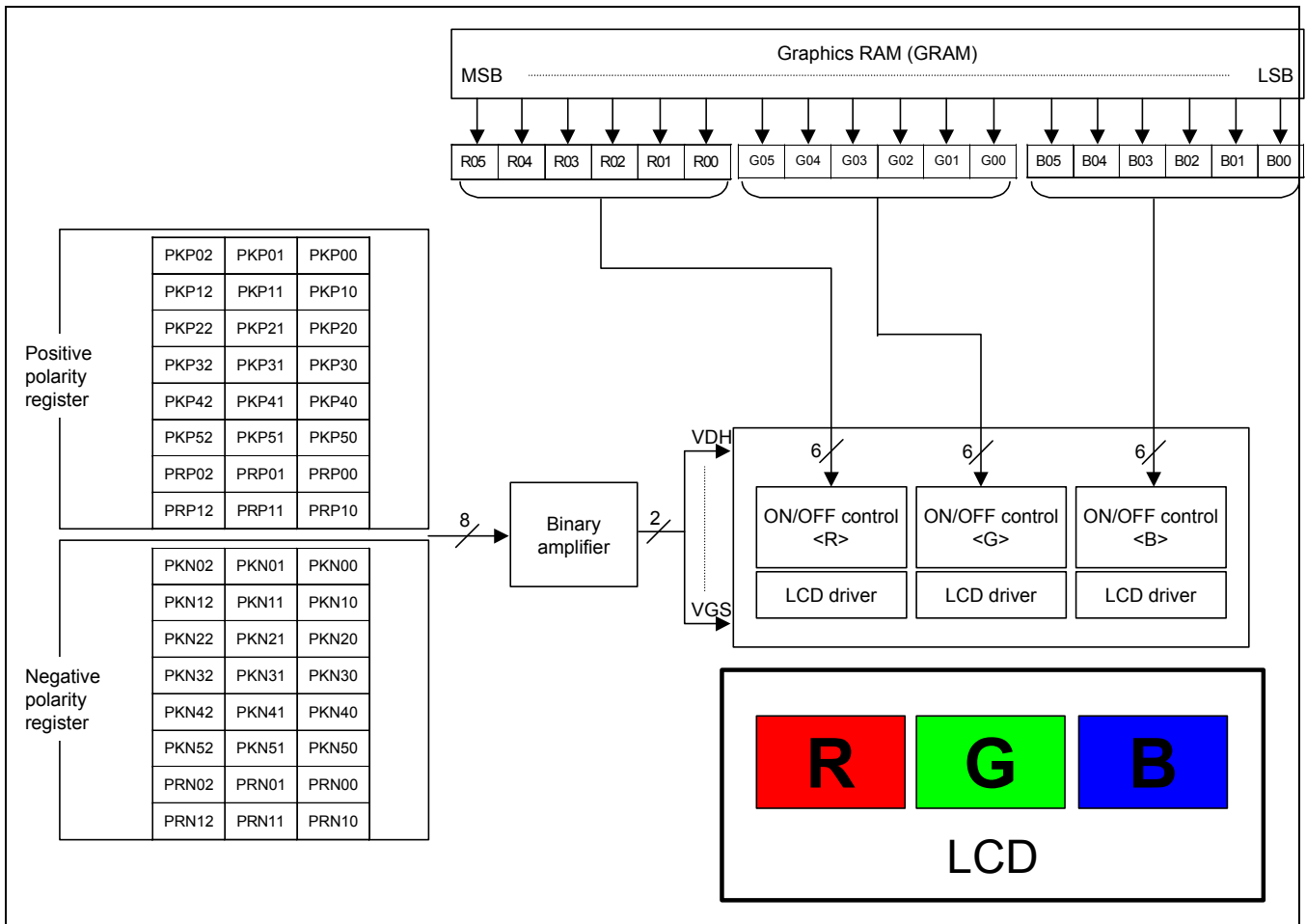


Figure 83. 8-color display control

*Preliminary*

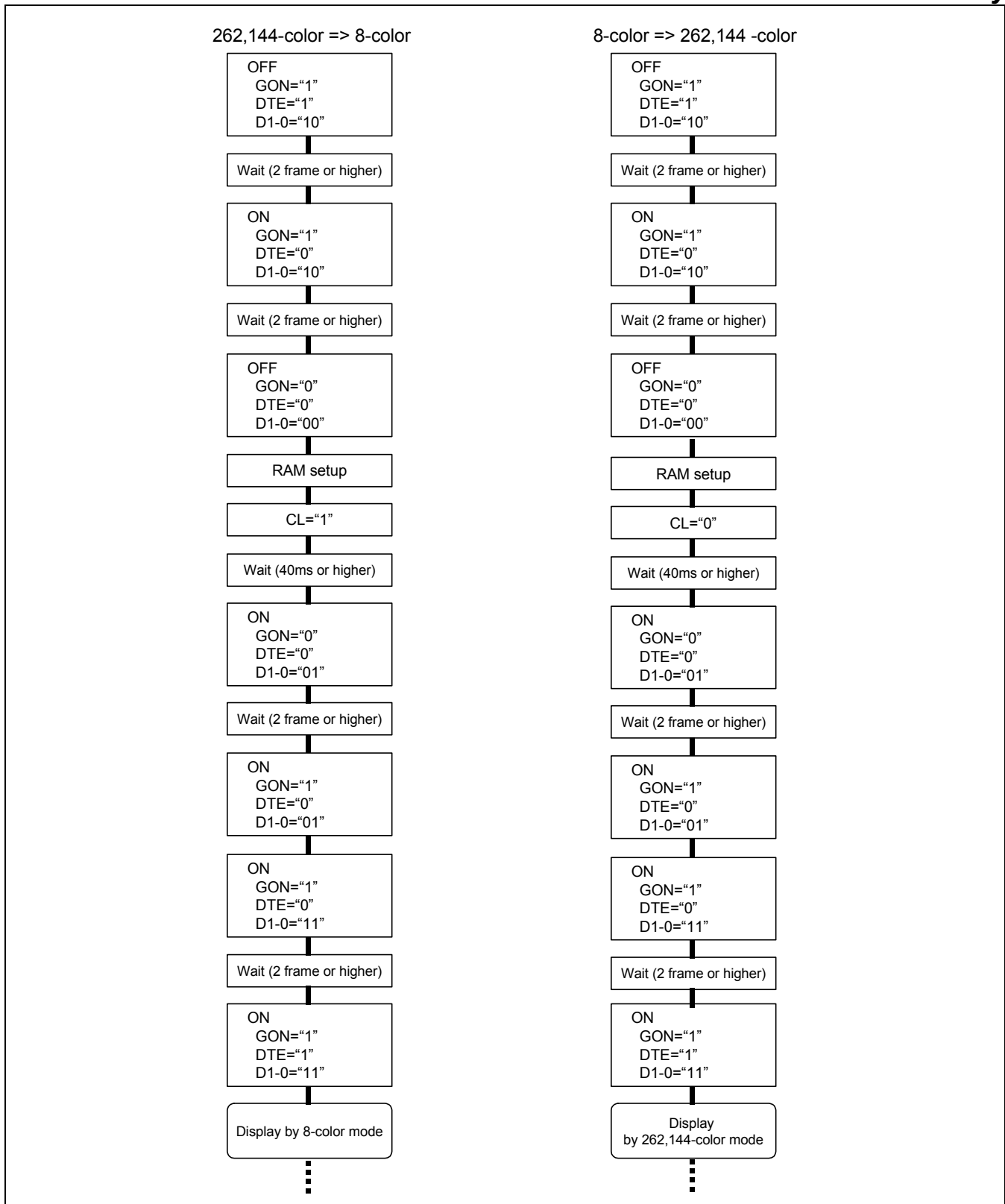


Figure 84. Set up procedure for the 8-color mode



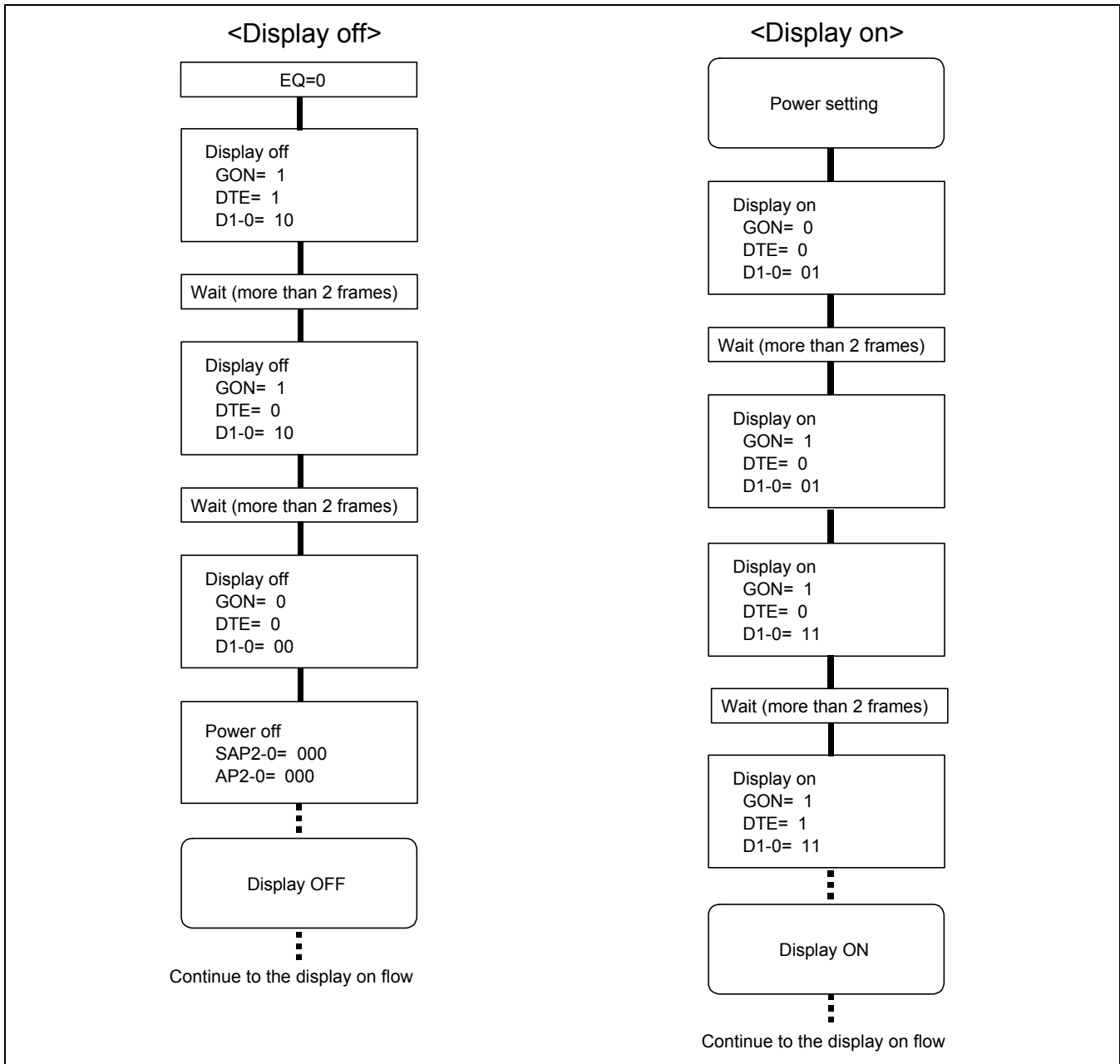
**SYSTEM STRUCTURE EXAMPLE**

Following diagram indicates the system structure, which composes the 132 (width) x 176 (length) dots TFT-LCD panel.



**Figure 85. System structure**

**Instruction set up flow**



**Figure 86. Instruction set up flow**

*Preliminary*

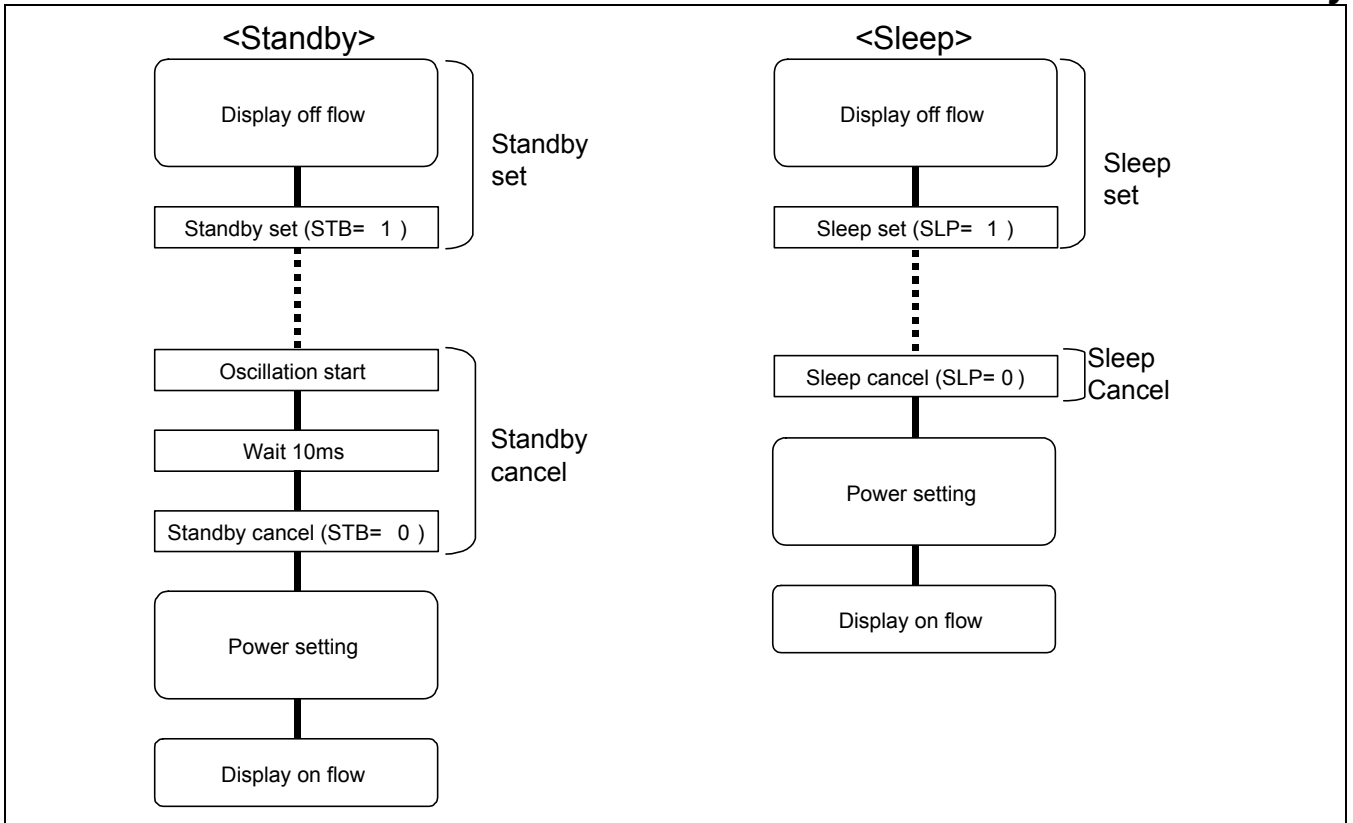
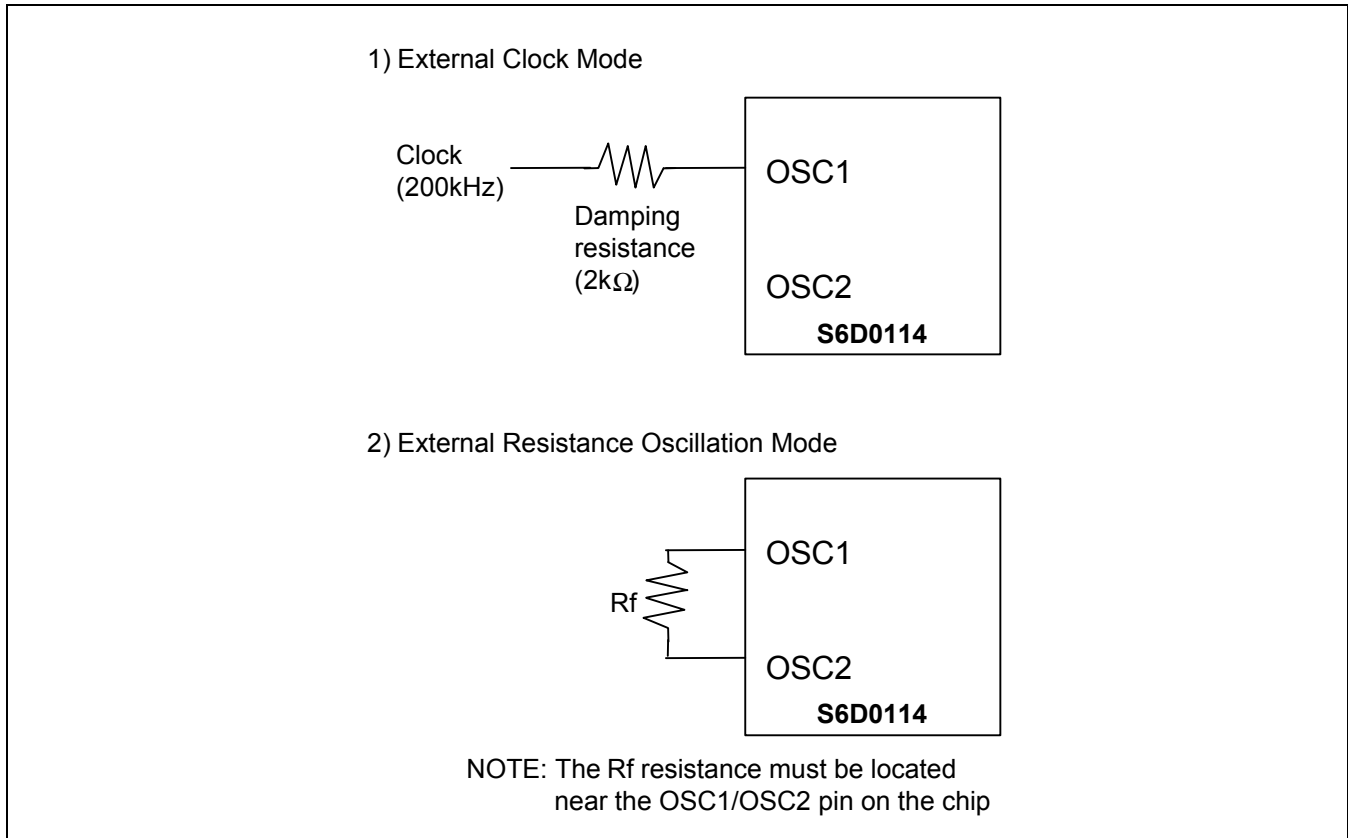


Figure 87. Instruction setup flow (continued)

**Preliminary**

## OSCILLATION CIRCUIT

The S6D0114 can oscillate between the OSC1 and OSC2 pins using an internal R-C oscillator with an external oscillation resistor. Note that in R-C oscillation, the oscillation frequency is changed according to the external resistance value, wiring length, or operating power-supply voltage. If  $R_f$  is increased or power supply voltage is decrease, the oscillation frequency decreases. For the relationship between  $R_f$  resistor value and oscillation frequency, see the Electric Characteristics Notes section.



**Figure 88. Oscillation Circuit**

### N-RASTER-ROW REVERSED AC DRIVE

The S6D0114 supports not only the LCD reversed AC drive in a one-frame unit but also the n-raster-row reversed AC drive which alternates in an n-raster-row unit from one to 64 raster-rows. When a problem affecting display quality occurs, the n-raster-row reversed AC drive can improve the quality. Determine the number of the raster-rows n (NW bit set value +1) for alternating after confirmation of the display quality with the actual LCD panel. However, if the number of AC raster-row is reduced, the LCD alternating frequency becomes high. Because of this, the charge or discharge current is increased in the LCD cells.

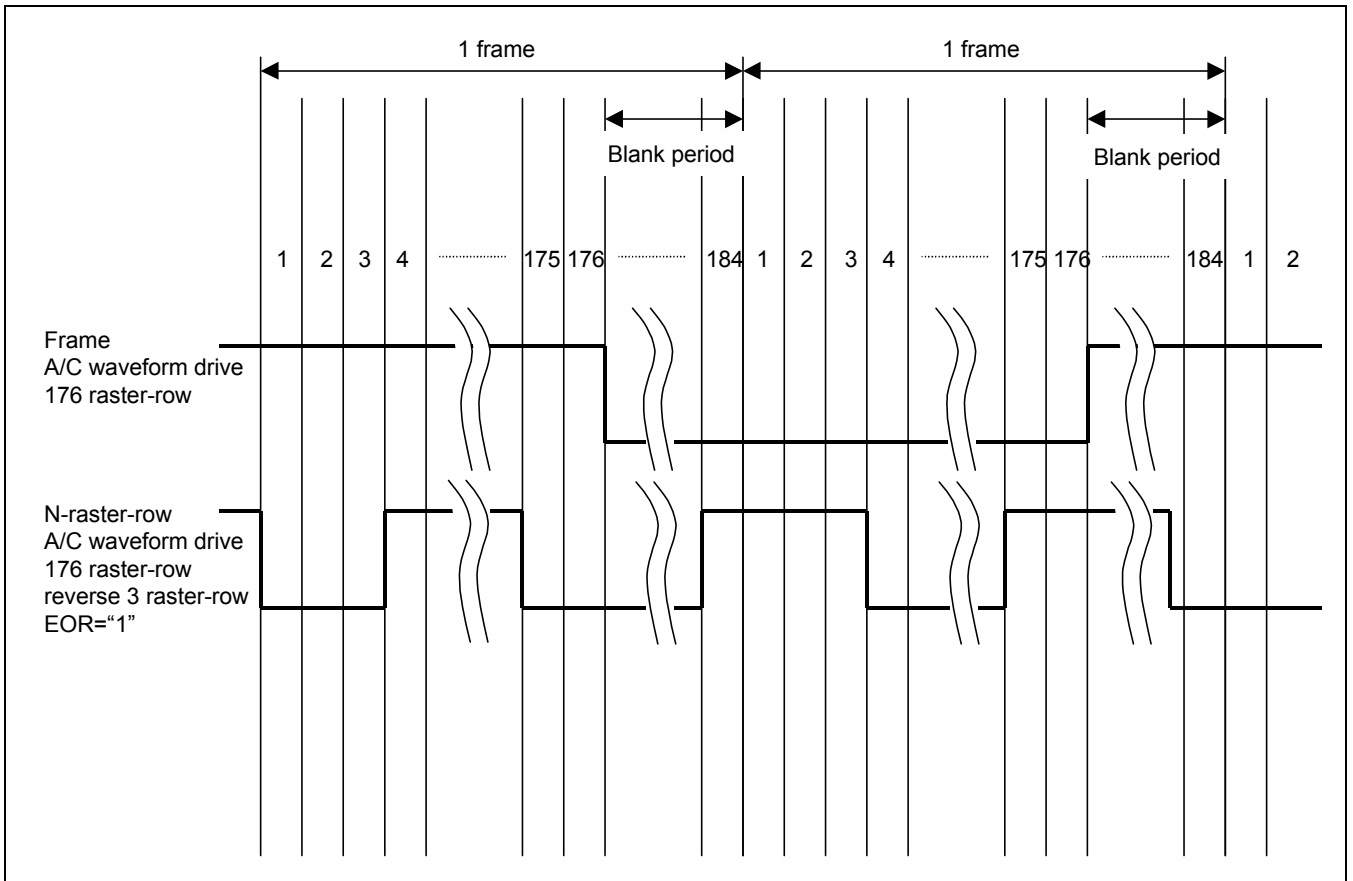


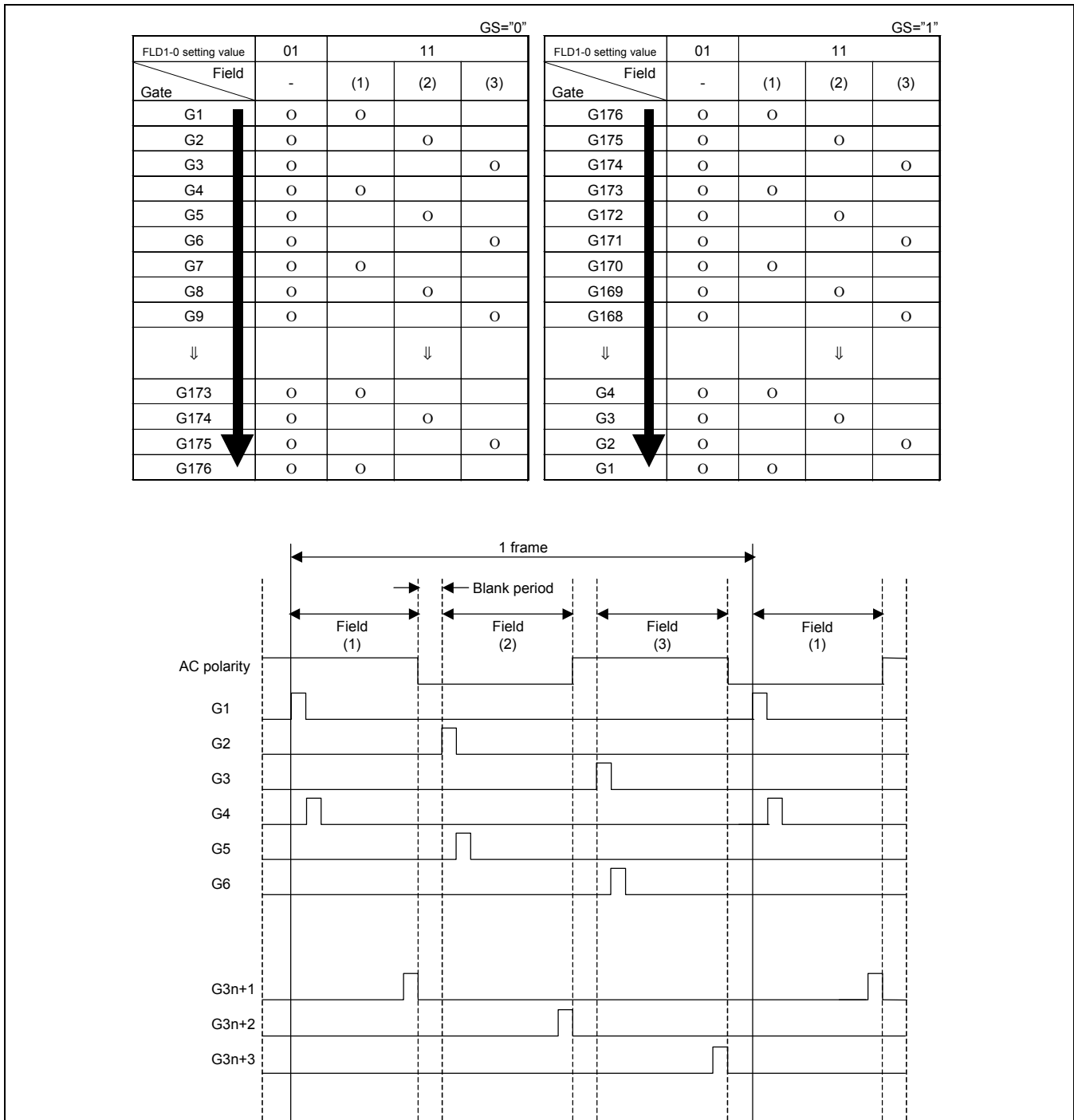
Figure 89. Example of an AC signal under n-raster-row reversed AC drive

*Preliminary*

## INTERLACE DRIVE

S6D0114 supports the interlace drive to protect from the flicker. It splits one frame into n fields and drives. Determine the n fields (FLD bit setting value) after confirming on the actual LCD display.

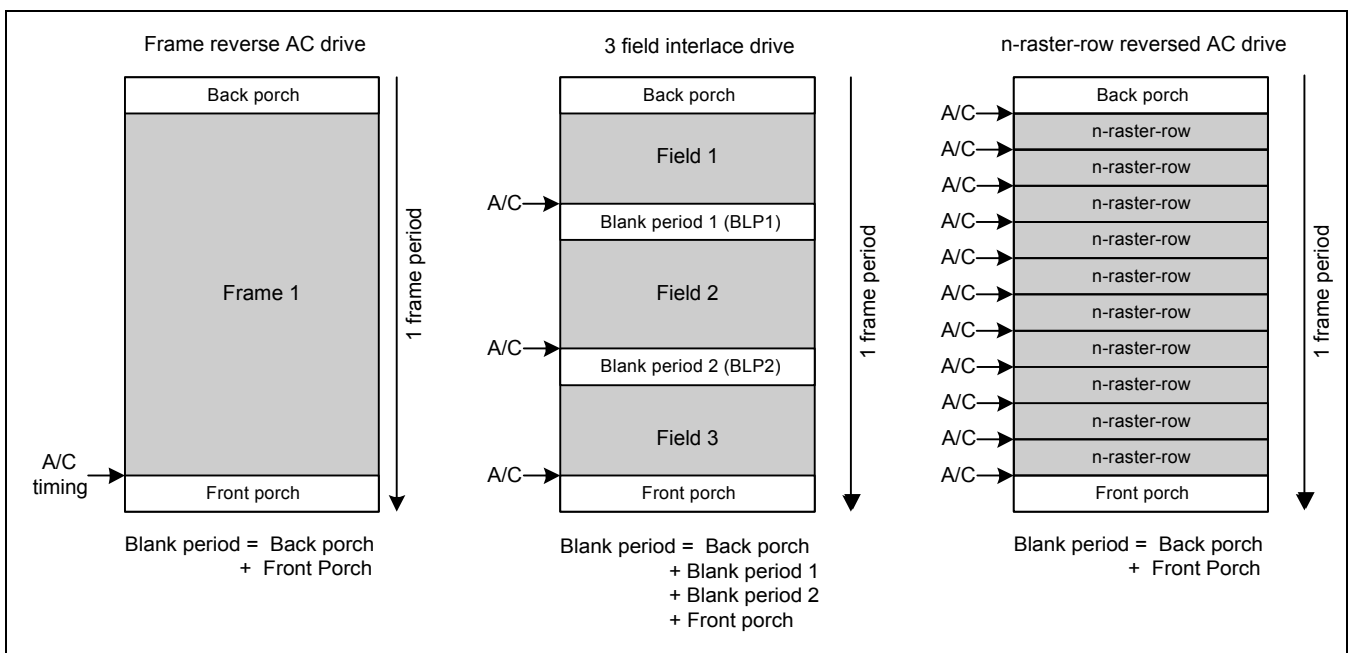
Following table indicates n fields: the gate selecting position when it is 1 or 3. and the diagram below indicates the output waveform when the field interlace drive is active.



**Figure 90. Interlace drive and output waveform**

*Preliminary***A/C TIMING**

Following diagram indicates the A/C timing on the each A/C drive method. After every 1 drawing, the A/C timing is occurred on the reversed frame AC drive. After the A/C timing, the blank (all gate output:  $V_{goff}$  level) period described below is inserted. When it is on the interlace drive, blank period is inserted every A/C timing. When the reversed n-raster-row is driving, a blank period is inserted after all screens are drawn. Front and Back porch can be adjusted using FP3-0 and BP3-0 bits (R08h). In interlace drive mode, Blank period can be adjusted using BLP13-0 and BLP23-0 bit (R09h).

**Figure 91. A/C timing**

**Preliminary****FRAME FREQUENCY ADJUSTING FUNCTION**

The S6D0114 has an on-chip frame-frequency adjustment function. The frame frequency can be adjusted by the instruction setting (DIV, RTN) during the LCD driver as the oscillation frequency is always same.

If the oscillation frequency is set to high, animation or a static image can be displayed in suitable ways by changing the frame frequency. When a static image is displayed, the frame frequency can be set low and the low-power consumption mode can be entered. When high-speed screen switching for an animated display, etc. is required, the frame frequency can be set high.

**RELATIONSHIP BETWEEN LCD DRIVE DUTY AND FRAME FREQUENCY**

The relationships between the LCD drive duty and the frame frequency is calculated by the following expression. The frame frequency can be adjusted in the 1H period adjusting bit (RTN) and in the operation clock division bit (DIV) by the instruction.

$$\text{Frame Frequency} = \frac{f_{\text{osc}}}{\text{Clock cycles per raster-row} \times \text{division ratio} \times (\text{Line} + \text{B})} \text{ [Hz]}$$

$f_{\text{osc}}$ : R-C oscillation frequency  
 Line: Number of raster-rows (NL bit)  
 Clock cycles per raster-row: RTN bit  
 Division ratio: DIV bit  
 B: Blank period(Back porch + Front Porch)

**Figure 92. Formula for the frame frequency****Example calculation**

Driver raster-row: 176

1H period: 16 clock (RTN3 to 0 = 0000)

Operation clock division ratio: 1 division

B: Blank period (BP + FP): 8

$$f_{\text{osc}} = 60\text{Hz} \times (0+16) \text{ clock} \times 1 \text{ division} \times (176+B) \text{ lines} = 177 \text{ [kHz]}$$

In this case, the RC oscillation frequency becomes 177 kHz. The external resistance value of the RC oscillator must be adjusted to be 177 kHz.

Note: When FLD1-0="11" (interlace drive), B = BP + FP + BLP1 + BLP2



*Preliminary*

## SCREEN-DIVISION DRIVING FUNCTION

The S6D0114 can select and drive two screens at any position with the screen-driving position registers (R14 and R15). Any two screens required for display are selectively driven and reducing LCD-driving voltage and power consumption.

For the 1<sup>st</sup> division screen, start line (SS17 to 10) and end line (SE17 to 10) are specified by the 1<sup>st</sup> screen-driving position register (R14). For the 2<sup>nd</sup> division screen, start line (SS27 to 20) and end line (SE27 to 20) are specified by the 2<sup>nd</sup> screen-driving position register (R15). The 2<sup>nd</sup> screen control is effective when the SPT bit is 1. The total count of selection-driving lines for the 1<sup>st</sup> and 2<sup>nd</sup> screens must correspond to the LCD-driving duty set value.

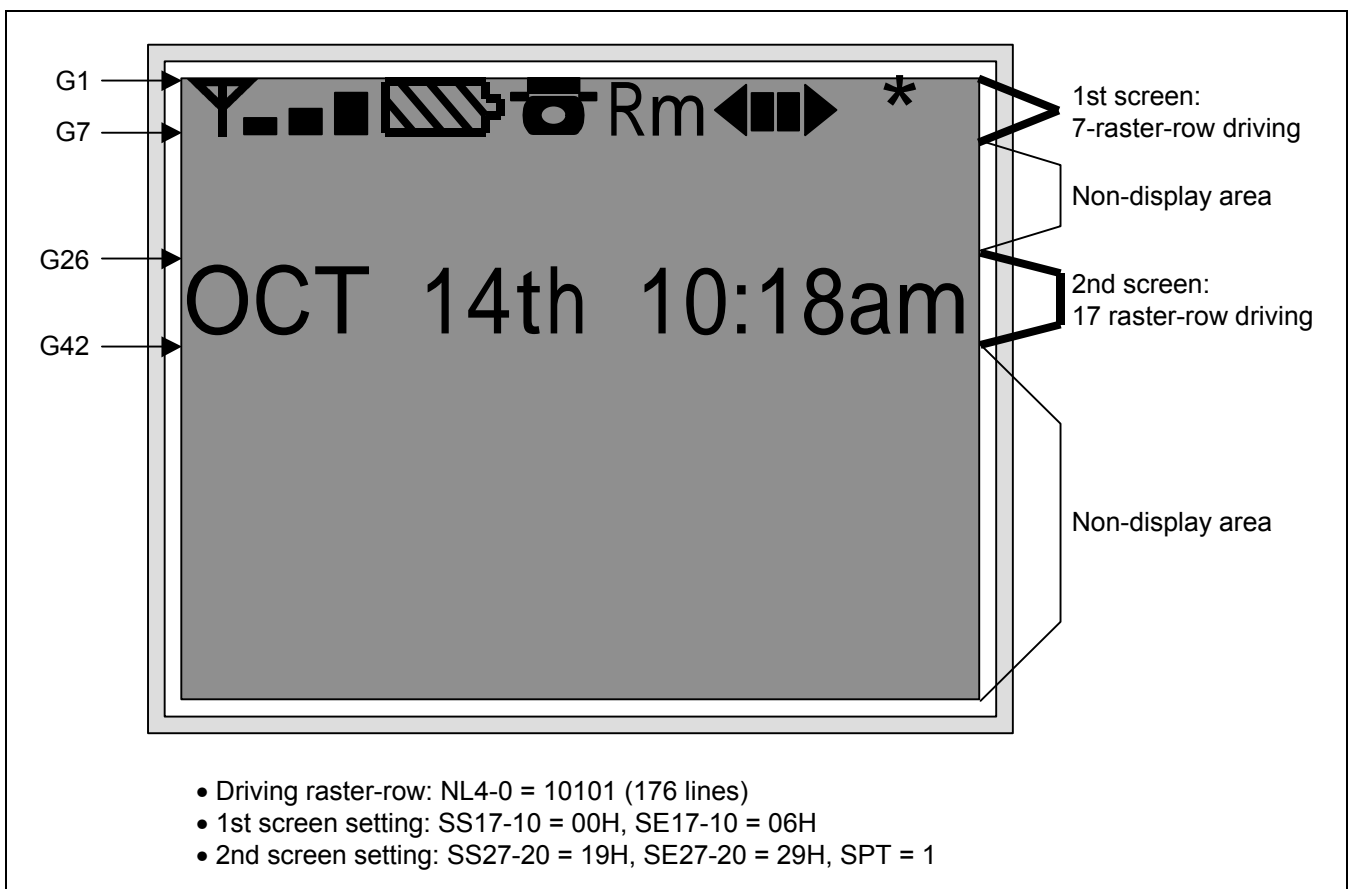


Figure 93. Driving on 2 screen

**Preliminary****RESTRICTION ON THE 1<sup>ST</sup>/2<sup>ND</sup> SCREEN DRIVING POSITION REGISTER SETTINGS**

The following restrictions must be satisfied when setting the start line (SS17 to 10) and end line (SE17 to 10) of the 1<sup>st</sup> screen driving position register (R42H) and the start line (SS27 to 20) and end line (SE27 to 20) of the 2<sup>nd</sup> screen driving position register (R43H) for the S6D0114. Note that incorrect display may occur if the restrictions are not satisfied.

**Table 44. Restrictions on the 1<sup>st</sup>/2<sup>nd</sup> Screen Driving Position Register Setting**1<sup>st</sup> Screen Driving (SPT=0)

Register setting	Display operation
$(SE17\ to\ 10) - (SS17\ to\ 10) = NL$	Full screen display Normally displays (SE17 to 10) to (SS17 to 10)
$(SE17\ to\ 10) - (SS17\ to\ 10) < NL$	Partial display Normally displays (SE17 to 10) to (SS17 to 10) White display for all other times (RAM data is not related at all)
$(SE17\ to\ 10) - (SS17\ to\ 10) > NL$	Setting disabled

NOTE 1:  $SS17\ to\ 10 \leq SE17\ to\ 10 \leq AFh$ 

NOTE 2: Setting SE27 to 20 and SS27 to 20 are invalid

2<sup>nd</sup> Screen Driving (SPT=1)

Register setting	Display operation
$((SE17\ to\ 10) - (SS17\ to\ 10)) + ((SE27\ to\ 20) - (SS27-20)) = NL$	Full screen display Normally displays (SE27 to 10) to (SS17 to 10)
$((SE17\ to\ 10) - (SS17\ to\ 10)) + ((SE27\ to\ 20) - (SS27-20)) < NL$	Partial display Normally displays (SE27 to 10) to (SS17 to 10) White display for all other times (RAM data is not related at all)
$((SE17\ to\ 10) - (SS17\ to\ 10)) + ((SE27\ to\ 20) - (SS27-20)) > NL$	Setting disabled

NOTE 1:  $SS17\ to\ 10 \leq SE17\ to\ 10 < SS27\ to\ 20 \leq SE27\ to\ 20 \leq AFh$ NOTE 2:  $(SE27\ to\ 20) - (SS17\ to\ 10) \leq NL$ 

The driver output can't be set for non-display area during the partial display. Determine based on specification of the panels.

PT1	PT0	Source output in non-display area		Gate output in Non-display area
		Positive polarity	Negative polarity	
0	0	V63	V0	Normal drive
0	1	V63	V0	Vgoff
1	0	VSS	VSS	Vgoff
1	1	Hi-Z	Hi-Z	Vgoff

Refer to the following flow to set up the partial display.

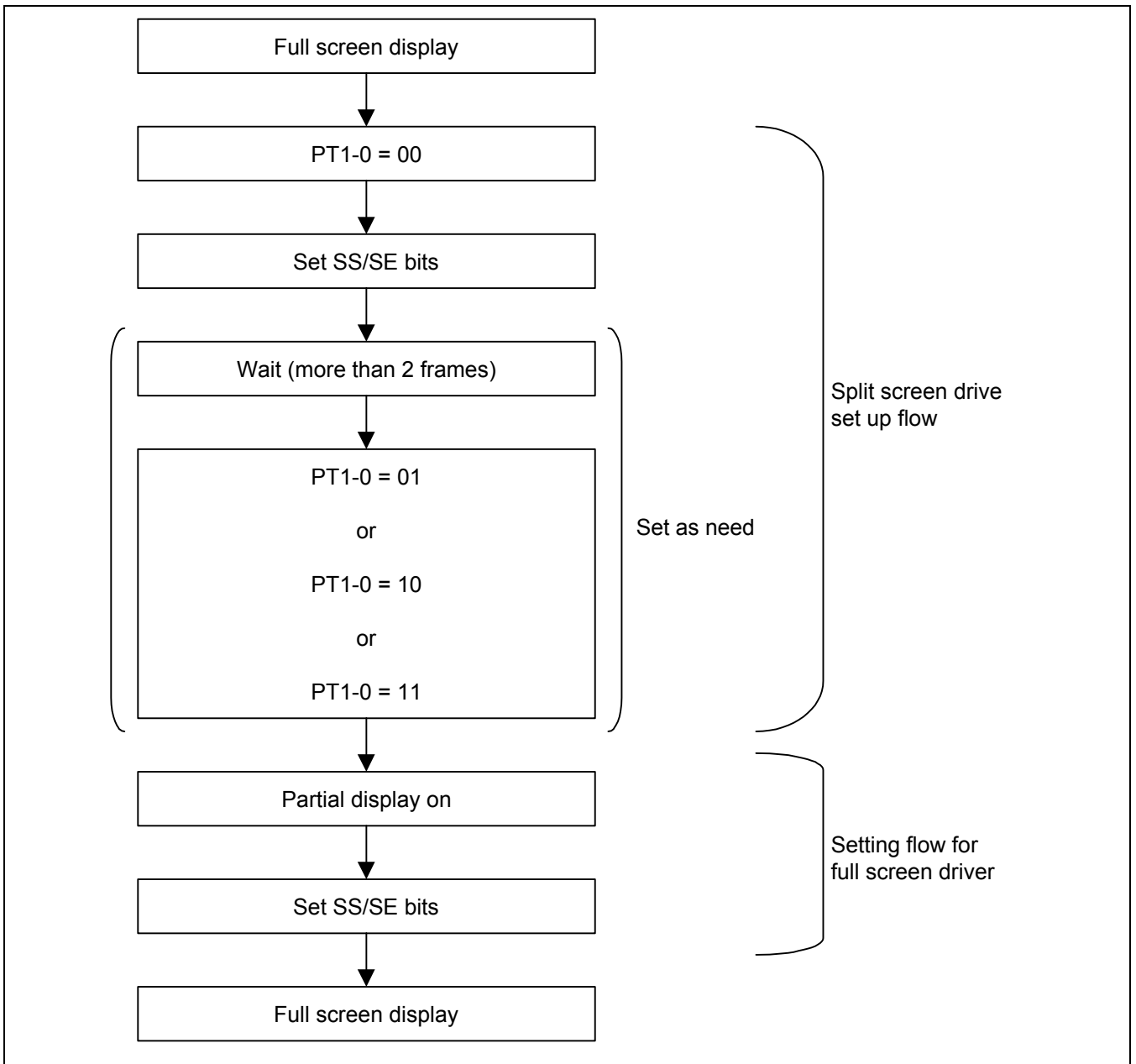


Figure 94. Partial display set up flow

**Preliminary****APPLICATION CIRCUIT**

The following figure indicates a schematic diagram of application circuit for S6D0114.

**Figure 95. Application Circuit**

**Preliminary****SPECIFICATIONS****ABSOLUTE MAXIMUM RATINGS****Table 45. Absolute Maximum Rating**

(VSS = 0V)

Item	Symbol	Rating	Unit
Supply voltage	VDD	- 0.3 ~ + 5.0	V
Supply voltage for step-up circuit	Vci	- 0.3 ~ + 5.0	V
LCD Supply Voltage range	VGH – VGL	30	V
Input Voltage range	Vin	- 0.3 to VDD +0.5	V
Operating temperature	T <sub>opr</sub>	-40 ~ +85	°C
Storage temperature	T <sub>stg</sub>	-55 ~ +110	°C

**Notes:**

1. Absolute maximum rating is the limit value beyond which the IC may be broken. They do not assure operations.
2. Operating temperature is the range of device-operating temperature. They do not guarantee chip performance.
3. Absolute maximum rating is guaranteed when our company' s package used.

**Preliminary****DC CHARACTERISTICS****Table 46. DC Characteristics**

((VDD = 1.8V or VDD3 = 3.3V), GVDD = 4.5V, AVDD = 5.0V, VSS = 0V)

Characteristic	Symbol	CONDITION	MIN	TYP	MAX	Unit	Note
Operating voltage(1)	VDD		1.8	-	2.5	V	*1
Operating voltage(2)	VDD3		2.3	-	3.3	V	*1
Driver positive power supply	VGH		+7	-	20.0	V	
Driver negative power supply	VGL		-7	-	-15.0	V	
Gate off power supply	Vgoff		-5	-	-15	V	*2
Logic Input Voltage	High	$V_{IH}$	0.7XVDD	-	VDD	V	*2
	Low	$V_{IL}$	0	-	0.3XVDD	V	*3
Logic Output Voltage	High	$V_{OH}$	$I_{OH} = -2.0\text{mA}$	VDD-0.5	VDD	V	*3
	Low	$V_{OL}$	$I_{OL} = 2.0\text{mA}$	0.0	0.5	V	
Input leakage current	$I_{IL}$	VIN = VSS or VDD	-1.0	-	1.0	$\mu\text{A}$	*2
Output leakage current	$I_{OL}$	VIN = VSS or VDD	-3.0	-	3.0	$\mu\text{A}$	*3
Operating frequency	fosc	-				KHz	*5
1 <sup>st</sup> step-up input voltage	Vci1	-	2.5	-	3.3	V	
1 <sup>st</sup> step-up output efficiency	AVDD					%	
2 <sup>nd</sup> step-up input voltage	Vci2		4.5		5.5	V	
2 <sup>nd</sup> step-up output efficiency	VGH					%	
3 <sup>rd</sup> step-up input voltage	Vci3				20	V	
3 <sup>rd</sup> step-up output efficiency	VGL		94		99	%	
4 <sup>th</sup> step-up input voltage	Vci4		2.5		3.3	V	
4 <sup>th</sup> step-up output efficiency	VCL					%	
-	-	TBD				$\mu\text{A}$	*6

**Table 47. DC Characteristics for LCD driver outputs**

((VDD = 1.8V or VDD3 = 3.3V), GVDD = 4.5V, AVDD = 5.0V, VSS = 0V)

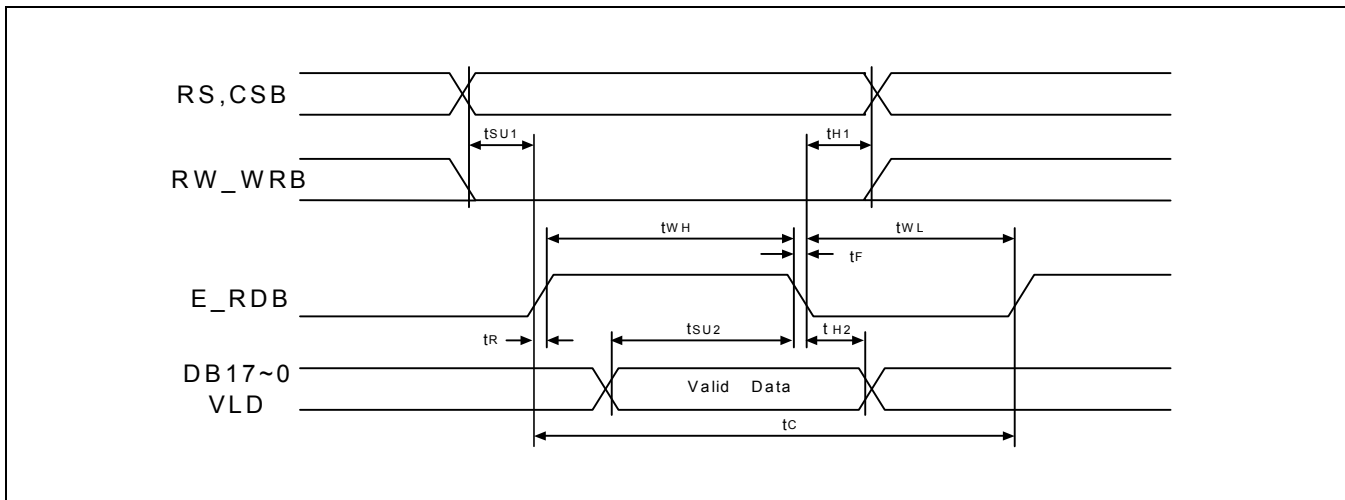
Characteristic	Symbol	CONDITION	MIN	TYP	MAX	Unit	Note
High-level output current (Gradation output)	IOH1	$V_x = 4.5V, V_{out} = 3.5V$	-	-	-0.05	mA	*4
Low-level output current (Gradation output)	IOL1	$V_x = 0.1V, V_{out} = 1.1V$	0.05	-	-	mA	*4
Output voltage deviation (Mean value)	$\Delta V_o$	$4.2V \leq V_x$	-	$\pm 20$	$\pm 30$	mV	
		$0.8V < V_x < 4.2V$	-	$\pm 10$	$\pm 20$	mV	
		$V_x \leq 0.8V$	-	$\pm 20$	$\pm 30$	mV	
Output voltage range	$V_o$	-	GVDD+0.1	-	GVDD-0.1	V	
High-level output current (Binary output)	$I_{OH2}$	$V_x = 5V, V_{OUT} = 4V,$	-	-	-0.1	mA	
Low-level output current (Binary output)	$I_{OL2}$	$V_x = 0.0V, V_{OUT} = 1.0V$	0.1	-	-	mA	
Gate Driver On Resistance	$R_{ONG}$	$T_a = 25^\circ C$ $V_{GH} - V_{GL} = 26V$ $I_{load} = \pm 100 \mu A$	-	-	1.0	k $\square$	*4

Notes :

1. VSS = 0V.
2. CSB, RS, DB0 to DB17, E, RW, RESETB.
3. DB0 to DB17, CL.
4. Resistance value when  $-0.1[mA]$  is applied during the ON status of the output pin Sn or Gn.  
 $R_{ON}[k\Omega] = \Delta V [V] / 0.1 [mA]$  ( $\Delta V$  : Voltage change when  $-0.1[mA]$  is applied in the ON status)
5.  $f_{osc} = f_{CL} \times CL$  division.  
 $f_{FRAME} = f_{CL} / 2 / \text{Display duty ratio}$ .
6. Dynamic current condition : VDD=VCI=2.7V, VDDI=1.8V, x3, 1/5 bias,  $f_{osc} = 115.2 \text{ kHz}$ ,  $f_{FRAME} = 180 \text{ Hz}$ ,  
 $V_3 - MV_3 = 19.6V, V_2 = 7.84V$

**Preliminary****AC CHARACTERISTICS****Parallel Write Interface (68 Mode, HWM =1)****Table 48. Parallel Write Interface Characteristic (68 Mode, HWM =1)**(VDD = 1.8V to 2.7V, T<sub>A</sub> = -30 to +85 °C)

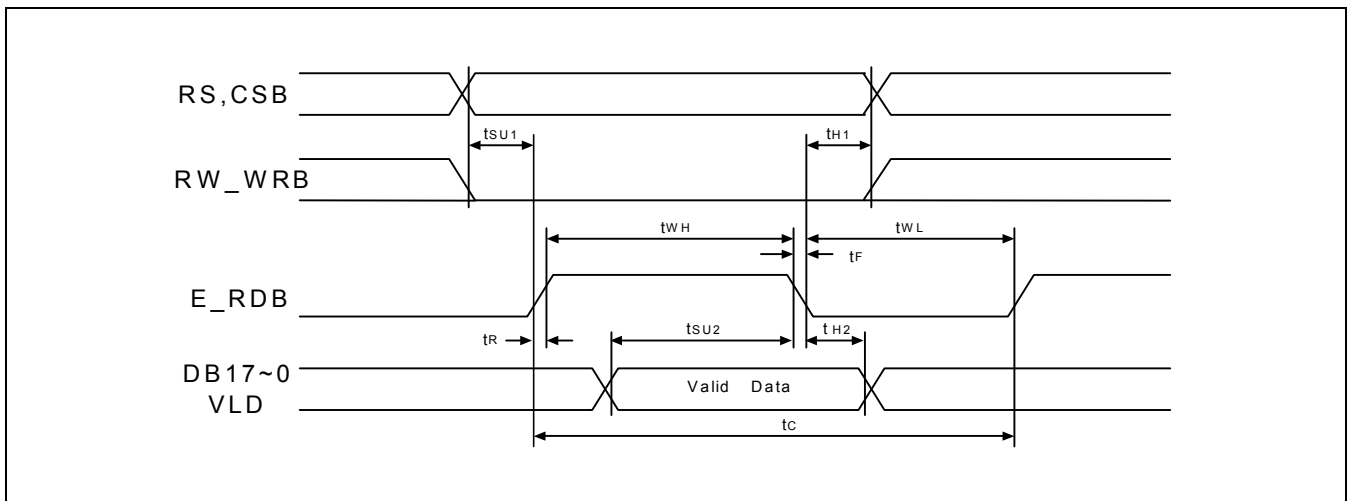
Characteristic	Symbol	Min.	Typ.	Max.	Unit
E_RD cycle time	t <sub>C</sub>	62	-	-	ns
Pulse rise / fall time	t <sub>R</sub> ,t <sub>F</sub>	-	-	3	
E_RD pulse width high	t <sub>WH</sub>	30	-	-	
E_RD pulse width low	t <sub>WL</sub>	30	-	-	
RS and CSB setup time	t <sub>SU1</sub>	10	-	-	
RS and CSB hold time	t <sub>H1</sub>	10	-	-	
DB setup time	t <sub>SU2</sub>	20	-	-	
DB hold time	t <sub>H2</sub>	10	-	-	

**Figure 96. Burst Write Timing Diagram (68-series)**



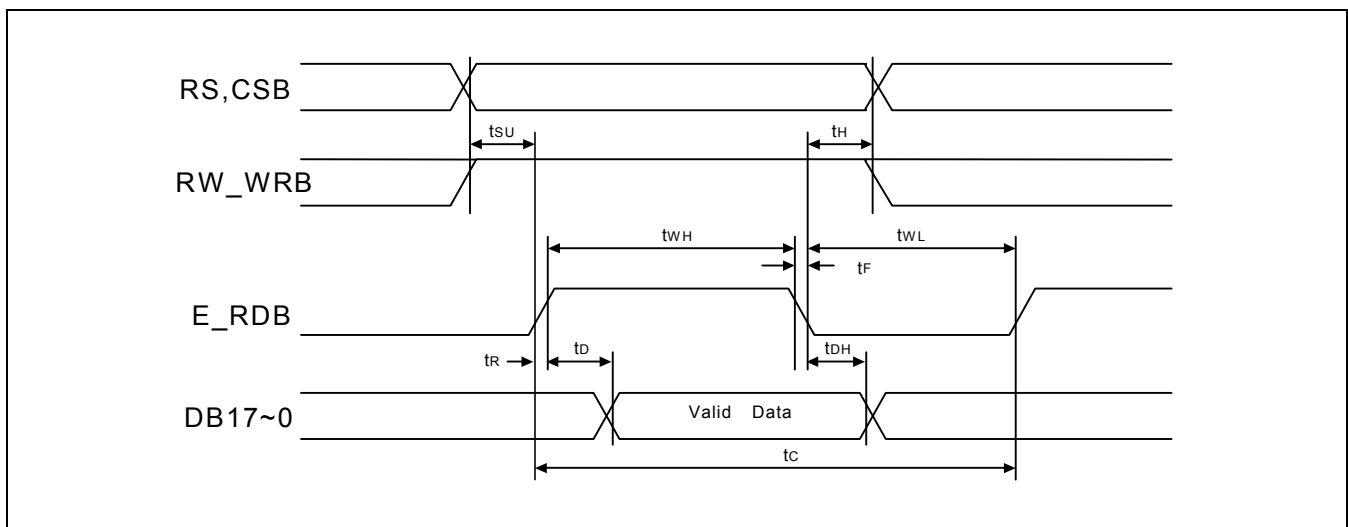
**Preliminary****Parallel Write Interface (68 Mode, HWM =0)****Table 49. Parallel Write Interface Characteristic (68 Mode, HWM =0)**(V<sub>DD</sub> = 1.8V to 2.7V, T<sub>A</sub> = -30 to +85 °C)

Characteristic	Symbol	Min.	Typ.	Max.	Unit
E_RD cycle time	t <sub>C</sub>	250	-	-	ns
Pulse rise / fall time	t <sub>R</sub> ,t <sub>F</sub>	-	-	10	
E_RD pulse width high	t <sub>WH</sub>	100	-	-	
E_RD pulse width low	t <sub>WL</sub>	100	-	-	
RS and CSB setup time	t <sub>SU1</sub>	10	-	-	
RS and CSB hold time	t <sub>H1</sub>	10	-	-	
DB setup time	t <sub>SU2</sub>	20	-	-	
DB hold time	t <sub>H2</sub>	10	-	-	

**Figure 97. Single Write Timing Diagram (68-series)**

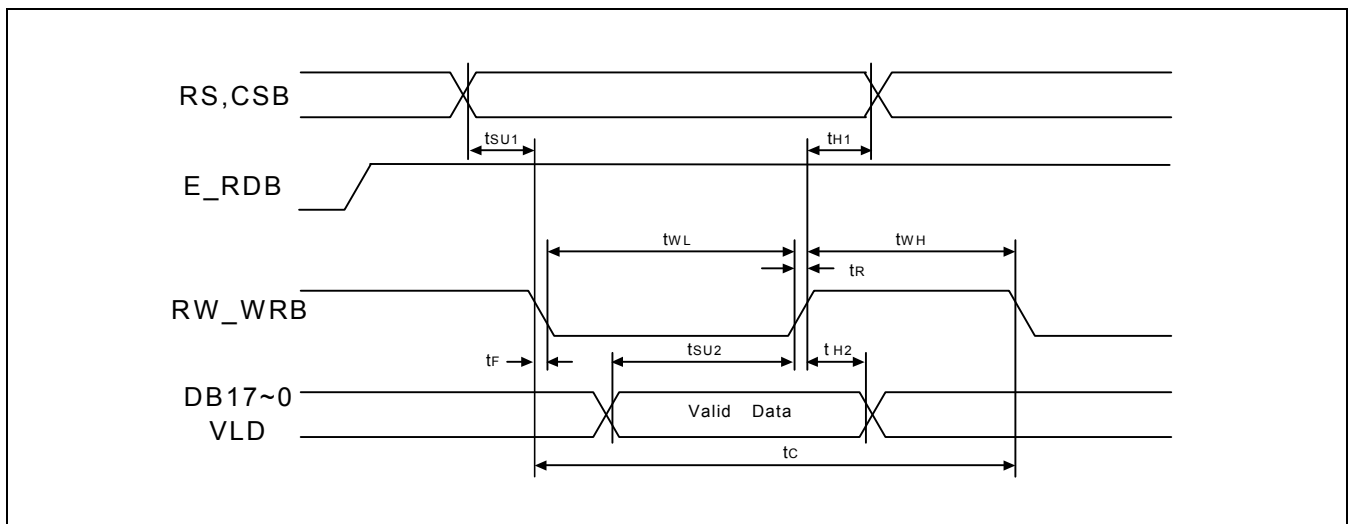
**Preliminary****Parallel Read Interface (68 Mode)****Table 50. Parallel Read Interface Characteristic (68 Mode)** $(V_{DD} = 1.8V \text{ to } 2.7V, T_A = -30 \text{ to } +85 \text{ }^\circ\text{C})$ 

Characteristic	Symbol	Min.	Typ.	Max.	Unit
E_RD cycle time	$t_c$	450	-	-	ns
Pulse rise / fall time	$t_r, t_f$	-	-	10	
E_RD pulse width high	$t_{WH}$	200	-	-	
E_RD pulse width low	$t_{WL}$	200	-	-	
RS and CSB setup time	$t_{SU}$	10	-	-	
RS and CSB hold time	$t_H$	10	-	-	
DB output delay time	$t_D$	20	-	-	
DB output hold time	$T_{dh}$	10	-	-	

**Figure 98. Read Timing Diagram (68-series)**

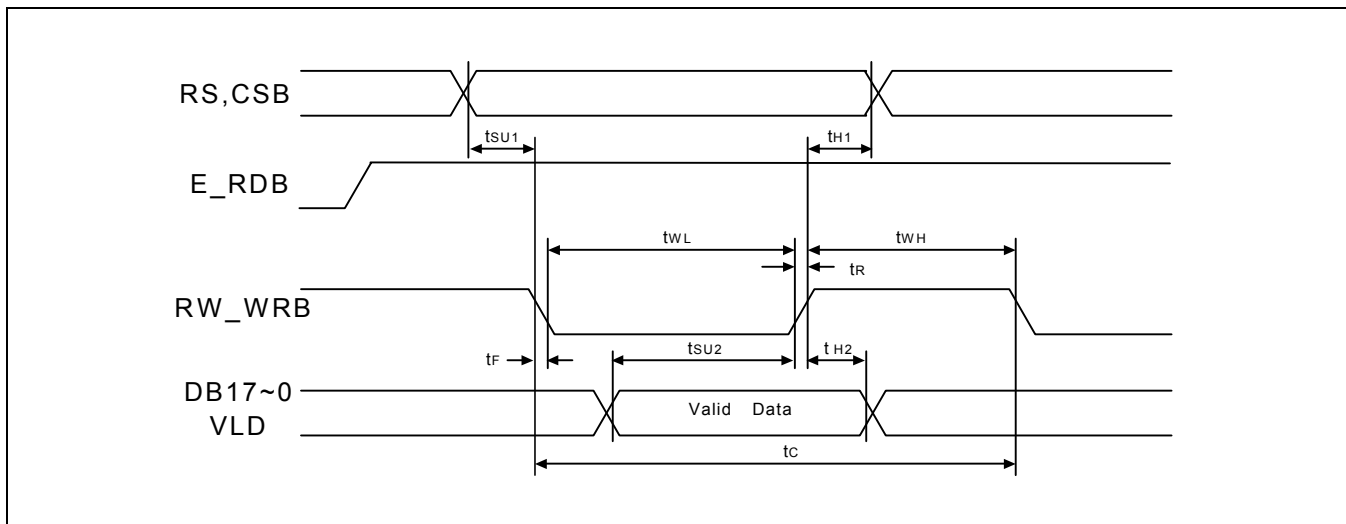
**Preliminary****Parallel Write Interface (80 Mode, HWM =1)****Table 51. Parallel Write Interface Characteristic (80 Mode, HWM =1)**(V<sub>DD</sub> = 1.7V to 2.7V, T<sub>A</sub> = -40 to +85 °C)

Characteristic	Symbol	Min.	Typ.	Max.	Unit
RW_WR cycle time	T <sub>C</sub>	62	-	-	ns
Pulse rise / fall time	t <sub>R</sub> ,t <sub>F</sub>	-	-	3	
RW_WR pulse width high	T <sub>WH</sub>	30	-	-	
RW_WR pulse width low	T <sub>WL</sub>	30	-	-	
RS and CSB setup time	t <sub>SU1</sub>	10	-	-	
RS and CSB hold time	t <sub>H1</sub>	10	-	-	
DB setup time	t <sub>SU2</sub>	20	-	-	
DB hold time	t <sub>H2</sub>	10	-	-	

**Figure 99. Burst Write Timing Diagram (80-series)**

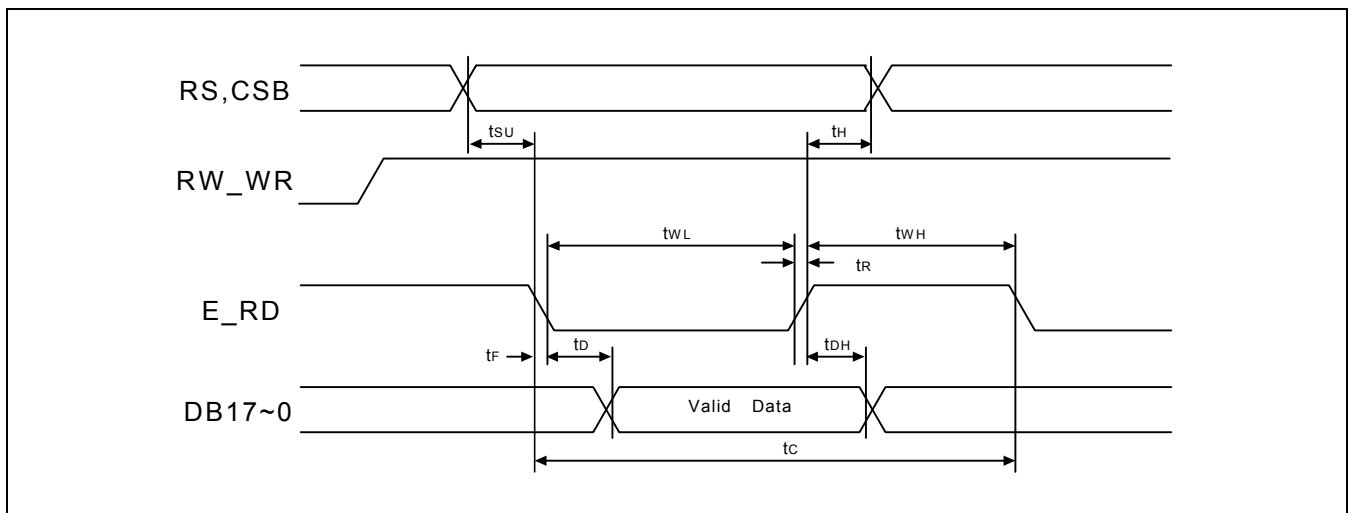
**Preliminary****Parallel Write Interface (80 Mode, HWM =0)****Table 52. Parallel Write Interface Characteristic (80 Mode, HWM =0)** $(V_{DD} = 1.7V \text{ to } 2.7V, T_A = -40 \text{ to } +85 \text{ } ^\circ\text{C})$ 

Characteristic	Symbol	Min.	Typ.	Max.	Unit
RW_WR cycle time	$t_c$	250	-	-	ns
Pulse rise / fall time	$t_r, t_f$	-	-	10	
RW_WR pulse width high	$t_{WH}$	100	-	-	
RW_WR pulse width low	$t_{WL}$	100	-	-	
RS and CSB setup time	$t_{SU1}$	10	-	-	
RS and CSB hold time	$t_{H1}$	10	-	-	
DB setup time	$t_{SU2}$	20	-	-	
DB hold time	$t_{H2}$	10	-	-	

**Figure 100. Single Write Timing Diagram (80-series)**

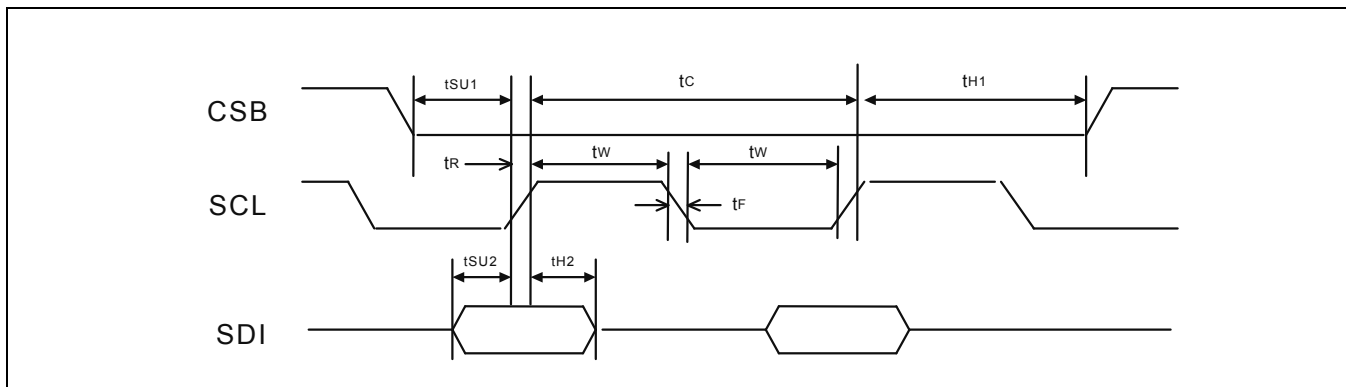
**Preliminary****Parallel Read Interface (80 Mode)****Table 53. Parallel Read Interface Characteristic (80 Mode)** $(V_{DD} = 1.7V \text{ to } 2.7V, T_A = -40 \text{ to } +85 \text{ }^\circ\text{C})$ 

Characteristic	Symbol	Min.	Typ.	Max.	Unit
E_RD cycle time	T <sub>C</sub>	450	-	-	ns
Pulse rise / fall time	t <sub>R</sub> , t <sub>F</sub>	-	-	10	
E_RD pulse width high	T <sub>WH</sub>	200	-	-	
E_RD pulse width low	T <sub>WL</sub>	200	-	-	
RS and CSB setup time	T <sub>SU</sub>	10	-	-	
RS and CSB hold time	T <sub>H</sub>	10	-	-	
DB output delay time	T <sub>D</sub>	20	-	-	
DB output hold time	T <sub>DH</sub>	10	-	-	

**Figure 101. Read Timing Diagram (80-series)**

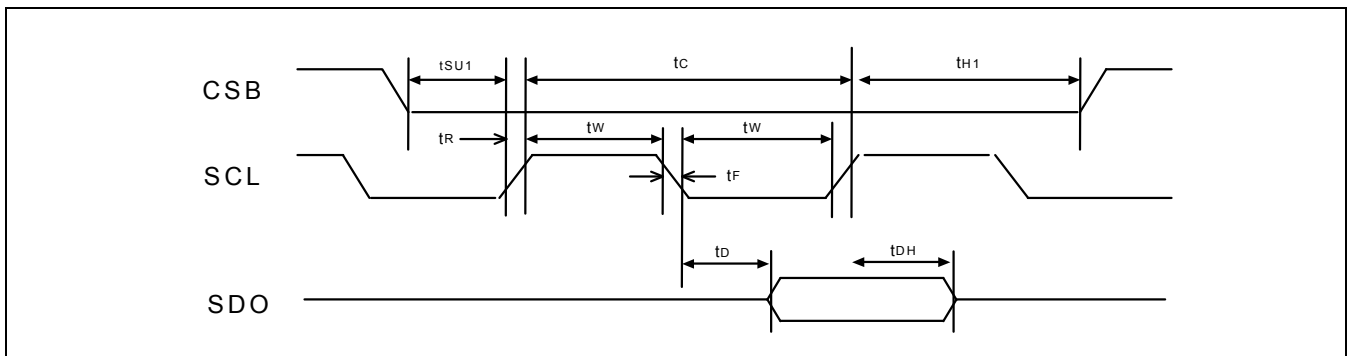
**Preliminary****Clock Synchronized Serial Write Mode****Table 54. Clock Synchronized Serial Write Mode Characteristic** $(V_{DD} = 1.7V \text{ to } 2.7V, T_A = -40 \text{ to } +85 \text{ }^\circ\text{C})$ 

Characteristic	Symbol	Min.	Typ.	Max.	Unit
SCL clock cycle time	$t_c$	20	-	-	ns
Pulse rise / fall time	$t_r, t_f$	-	-	3	
SCL clock width (high, low)	$t_w$	7	-	-	
CSB setup time	$t_{SU1}$	10	-	-	
CSB hold time	$t_{H1}$	10	-	-	
SDI data setup time	$t_{SU2}$	5	-	-	
SDI data hold time	$t_{H2}$	5	-	-	

**Figure 102. Clock Synchronized Serial Interface Mode Timing Diagram**

**Preliminary****Clock Synchronized Serial Read Mode****Table 55. Clock Synchronized Serial Read Mode Characteristic**(V<sub>DD</sub> = 1.7V to 2.7V, T<sub>A</sub> = -40 to +85 °C)

Characteristic	Symbol	Min.	Typ.	Max.	Unit
SCL clock cycle time	t <sub>C</sub>	50	-	-	ns
Pulse rise / fall time	t <sub>R</sub> , t <sub>F</sub>	-	-	3	
SCL clock width (high, low)	t <sub>w</sub>	20	-	-	
CSB setup time	t <sub>SU1</sub>	20	-	-	
CSB hold time	t <sub>H1</sub>	10	-	-	
SDO data delay time	t <sub>D</sub>	10	-	-	
SDO data delay time	t <sub>DH</sub>	10			

**Figure 103. Clock Synchronized Serial Interface Mode Timing Diagram**