



# SC4004A ( 40 CHARACTERS x 4 LINES )

## ■ FEATURES

- ◆ 5 x 7 DOTS WITH CURSOR
- ◆ BUILT-IN CONTROLLER (KS0066 OR EQUIVALENT)
- ◆ 5 V POWER SUPPLY
- ◆ 1/16 DUTY CYCLE
- ◆ 4.2 V LED FORWARD VOLTAGE

## ■ MECHANICAL DATA

ITEM	DIMENSIONS	UNIT
Module Size ( W x H x T )	190.0 x 54.0 x 8.8 ( 13.0 LED )	mm
Viewing Area ( W x H )	149.0 x 29.5	mm
Character Size ( W x H )	2.78 x 4.89	mm
Character Pitch ( W x H )	3.53 x 6.09	mm
Dot Size ( W x H )	0.50 x 0.55	mm
Dot Pitch ( W x H )	0.57 x 0.62	mm

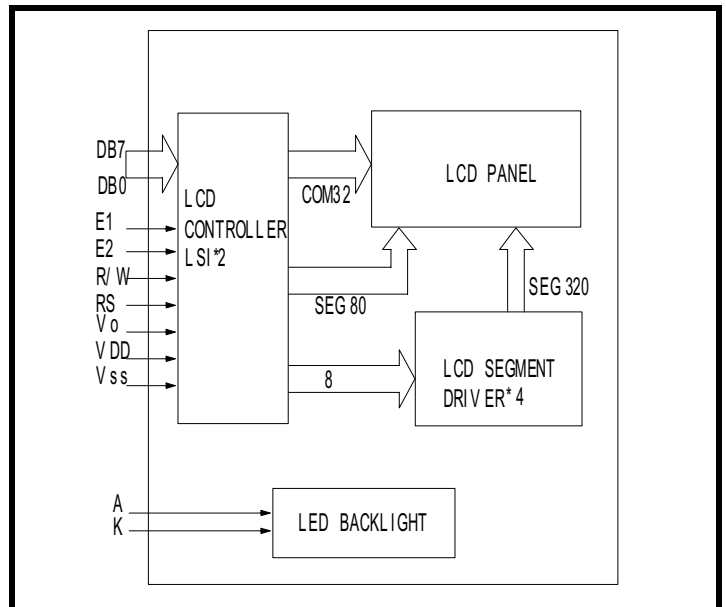
## ■ INTERFACE PIN CONNECTIONS

NO.	SYMBOL	FUNCTION	NO.	SYMBOL	FUNCTION
1	DB7	Data Bit 7	9	E1	Enable IC1
2	DB6	Data Bit 6	10	R/W	Read/Write
3	DB5	Data Bit 5	11	RS	Register Select
4	DB4	Data Bit 4	12	Vo	Contrast Adj.
5	DB3	Data Bit 3	13	Vss	Supply Ground
6	DB2	Data Bit 2	14	VDD	Supply Voltage
7	DB1	Data Bit 1	15	E2	Enable IC2
8	DB0	Data Bit 0	16	NC	No Control

## ■ ELECTRICAL CHARACTERISTICS

ITEM	SYMBOL	CONDITION	MIN.	TYP.	MAX.	UNIT
LCD Operating Voltage	V <sub>DD-Vo</sub>	T=0 °C	-	4.8	-	V
		T=25 °C	-	4.5	-	V
		T=50 °C	-	4.2	-	V
Supply Voltage	V <sub>DD-Vss</sub>	-	4.7	5	5.3	V
Supply Current	I <sub>DD</sub>	-	-	5.2	10.8	mA
Input Voltage	"HIGH" Level	V <sub>IH</sub>	-	2.2	-	V <sub>DD</sub> V
	"LOW" Level	V <sub>IL</sub>	-	0	-	0.6 V
Output Voltage	"HIGH" Level	V <sub>OH</sub>	-	2.4	-	V
	"LOW" Level	V <sub>OL</sub>	-	-	-	0.4 V

## ■ BLOCK DIAGRAM



## ■ EXTERNAL DIMENSIONS

