

SG3526

Pulse Width Modulation Control Circuit

The SG3526 is a high performance pulse width modulator integrated circuit intended for fixed frequency switching regulators and other power control applications.

Functions included in this IC are a temperature compensated voltage reference, sawtooth oscillator, error amplifier, pulse width modulator, pulse metering and steering logic, and two high current totem pole outputs ideally suited for driving the capacitance of power FETs at high speeds.

Additional protective features include soft start and undervoltage lockout, digital current limiting, double pulse inhibit, adjustable dead time and a data latch for single pulse metering. All digital control ports are TTL and B-series CMOS compatible. Active low logic design allows easy wired-OR connections for maximum flexibility. The versatility of this device enables implementation in single-ended or push-pull switching regulators that are transformerless or transformer coupled. The SG3526 is specified over a junction temperature range of 0° to +125°C.

- 8.0 V to 35 V Operation
- 5.0 V \pm 1% Trimmed Reference
- 1.0 Hz to 400 kHz Oscillator Range
- Dual Source/Sink Current Outputs: \pm 100 mA
- Digital Current Limiting
- Programmable Dead Time
- Undervoltage Lockout
- Single Pulse Metering
- Programmable Soft-Start
- Wide Current Limit Common Mode Range
- Guaranteed 6 Unit Synchronization

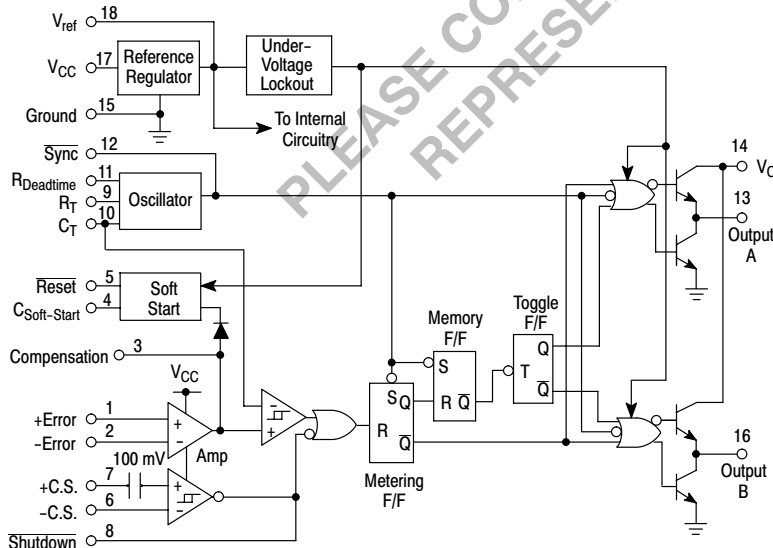


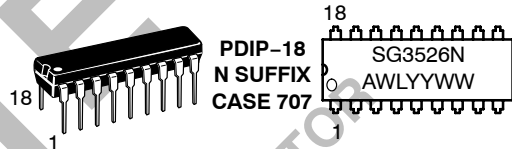
Figure 1. Representative Block Diagram



ON Semiconductor™

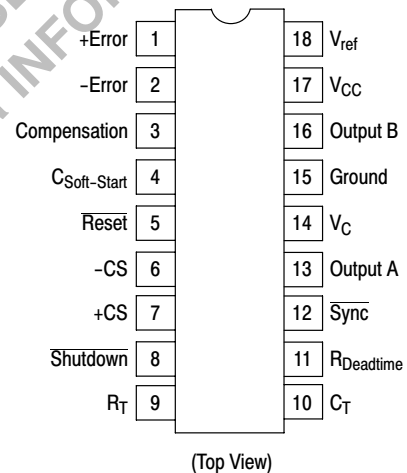
<http://onsemi.com>

MARKING DIAGRAM



A = Assembly Location
 WL = Wafer Lot
 YY = Year
 WW = Work Week

PIN CONNECTIONS



ORDERING INFORMATION

Device	Package	Shipping
SG3526N	PDIP-18	20 Units/Rail

MAXIMUM RATINGS (Note 1)

Rating	Symbol	Value	Unit
Supply Voltage	V_{CC}	+40	Vdc
Collector Supply Voltage	V_C	+40	Vdc
Logic Inputs		-0.3 to +5.5	V
Analog Inputs		-0.3 to V_{CC}	V
Output Current, Source or Sink	I_O	±200	mA
Reference Load Current ($V_{CC} = 40$ V, Note 2)	I_{ref}	50	mA
Logic Sink Current		15	mA
Power Dissipation $T_A = +25^\circ\text{C}$ (Note 3) $T_C = +25^\circ\text{C}$ (Note 4)	P_D	1000 3000	mW
Thermal Resistance Junction-to-Air	$R_{\theta JA}$	100	$^\circ\text{C}/\text{W}$
Thermal Resistance Junction-to-Case	$R_{\theta JC}$	42	$^\circ\text{C}/\text{W}$
Operating Junction Temperature	T_J	+150	$^\circ\text{C}$
Storage Temperature Range	T_{stg}	-65 to +150	$^\circ\text{C}$
Lead Temperature (Soldering, 10 Seconds)	T_{Solder}	±300	$^\circ\text{C}$

RECOMMENDED OPERATING CONDITIONS

Characteristics	Symbol	Min	Max	Unit
Supply Voltage	V_{CC}	8.0	35	Vdc
Collector Supply Voltage	V_C	4.5	35	Vdc
Output Sink/Source Current (Each Output)	I_O	0	±100	mA
Reference Load Current	I_{ref}	0	20	mA
Oscillator Frequency Range	f_{osc}	0.001	400	kHz
Oscillator Timing Resistor	R_T	2.0	150	k Ω
Oscillator Timing Capacitor	C_T	0.001	20	μF
Available Deadtime Range (40 kHz)	-	3.0	50	%
Operating Junction Temperature Range	T_J	0	+125	$^\circ\text{C}$

1. Values beyond which damage may occur.
2. Maximum junction temperature must be observed.
3. Derate at 10 mW/ $^\circ\text{C}$ for ambient temperatures above +50 $^\circ\text{C}$.
4. Derate at 24 mW/ $^\circ\text{C}$ for case temperatures above +25 $^\circ\text{C}$.

SG3526

ELECTRICAL CHARACTERISTICS ($V_{CC} = +15$ Vdc, $T_J = T_{low}$ to T_{high} [Note 6], unless otherwise noted.)

Characteristics	Symbol	Min	Typ	Max	Unit
REFERENCE SECTION (Note 7)					
Reference Output Voltage ($T_J = +25^\circ\text{C}$)	V_{ref}	4.90	5.00	5.10	V
Line Regulation ($+8.0\text{ V} \leq V_{CC} \leq +35\text{ V}$)	Reg_{line}	–	10	30	mV
Load Regulation ($0\text{ mA} \leq I_L \leq 20\text{ mA}$)	Reg_{load}	–	10	50	mV
Temperature Stability	$\Delta V_{ref}/\Delta T$	–	10	–	mV
Total Reference Output Voltage Variation ($+8.0\text{ V} \leq V_{CC} \leq +35\text{ V}$, $0\text{ mA} \leq I_L \leq 20\text{ mA}$)	ΔV_{ref}	4.85	5.00	5.15	V
Short Circuit Current ($V_{ref} = 0\text{ V}$) (Note 5)	I_{SC}	25	80	125	mA

UNDERVOLTAGE LOCKOUT

Reset Output Voltage ($V_{ref} = +3.8\text{ V}$)		–	0.2	0.4	V
Reset Output Voltage ($V_{ref} = +4.8\text{ V}$)		2.4	4.8	–	V

OSCILLATOR SECTION (Note 8)

Initial Accuracy ($T_J = +25^\circ\text{C}$)		–	± 3.0	± 8.0	%
Frequency Stability over Power Supply Range ($+8.0\text{ V} \leq V_{CC} \leq +35\text{ V}$)	$\frac{\Delta f_{osc}}{\Delta V_{CC}}$	–	0.5	1.0	%
Frequency Stability over Temperature ($\Delta T_J = T_{low}$ to T_{high})	$\frac{\Delta f_{osc}}{\Delta T_J}$	–	2.0	–	%
Minimum Frequency ($R_T = 150\text{ k}\Omega$, $C_T = 20\text{ }\mu\text{F}$)	f_{min}	–	0.5	–	Hz
Maximum Frequency ($R_T = 2.0\text{ k}\Omega$, $C_T = 0.001\text{ }\mu\text{F}$)	f_{max}	400	–	–	kHz
Sawtooth Peak Voltage ($V_{CC} = +35\text{ V}$)	$V_{osc(P)}$	–	3.0	3.5	V
Sawtooth Valley Voltage ($V_{CC} = +8.0\text{ V}$)	$V_{osc(V)}$	0.45	0.8	–	V

ERROR AMPLIFIER SECTION (Note 9)

Input Offset Voltage ($R_S \leq 2.0\text{ k}\Omega$)	V_{IO}	–	2.0	10	mV
Input Bias Current	I_{IB}	–	–350	–2000	nA
Input Offset Current	I_{IO}	–	35	200	nA
DC Open Loop Gain ($R_L \geq 10\text{ M}\Omega$)	A_{VOL}	60	72	–	dB
High Output Voltage ($V_{Pin\ 1} - V_{Pin\ 2} \geq +150\text{ mV}$, $I_{source} = 100\text{ }\mu\text{A}$)	V_{OH}	3.6	4.2	–	V
Low Output Voltage ($V_{Pin\ 2} - V_{Pin\ 1} \geq +150\text{ mV}$, $I_{sink} = 100\text{ }\mu\text{A}$)	V_{OL}	–	0.2	0.4	V
Common Mode Rejection Ratio ($R_S \leq 2.0\text{ k}\Omega$)	CMRR	70	94	–	dB
Power Supply Rejection Ratio ($+12\text{ V} \leq V_{CC} \leq +18\text{ V}$)	PSRR	66	80	–	dB

5. Maximum junction temperature must be observed.

6. $T_{low} = 0^\circ\text{C}$ $T_{high} = +125^\circ\text{C}$

7. $I_L = 0\text{ mA}$ unless otherwise noted.

8. $f_{osc} = 40\text{ kHz}$ ($R_T = 4.12\text{ k}\Omega \pm 1\%$, $C_T = 0.01\text{ }\mu\text{F} \pm 1\%$, $R_D = 0\text{ }\Omega$)

9. $0\text{ V} \leq V_{CM} \leq +5.2\text{ V}$.

ELECTRICAL CHARACTERISTICS (continued)

Characteristics	Symbol	Min	Typ	Max	Unit
PWM COMPARATOR SECTION (Note 10)					
Minimum Duty Cycle ($V_{\text{Compensation}} = +0.4 \text{ V}$)	DC_{min}	–	–	0	%
Maximum Duty Cycle ($V_{\text{Compensation}} = +3.6 \text{ V}$)	DC_{max}	45	49	–	%
DIGITAL PORTS (SYNC, SHUTDOWN, RESET)					
Output Voltage (High Logic Level) ($I_{\text{source}} = 40 \mu\text{A}$) (Low Logic Level) ($I_{\text{sink}} = 3.6 \text{ mA}$)	V_{OH} V_{OL}	2.4 –	4.0 0.2	– 0.4	V
Input Current — High Logic Level (High Logic Level) ($V_{\text{IH}} = +2.4 \text{ V}$) (Low Logic Level) ($V_{\text{IL}} = +0.4 \text{ V}$)	I_{IH} I_{IL}	– –	–125 –225	–200 –360	μA
CURRENT LIMIT COMPARATOR SECTION (Note 12)					
Sense Voltage ($R_{\text{S}} \leq 50 \Omega$)	V_{sense}	80	100	120	mV
Input Bias Current	I_{B}	–	–3.0	–10	μA
SOFT-START SECTION					
Error Clamp Voltage ($\overline{\text{Reset}} = +0.4 \text{ V}$)		–	0.1	0.4	V
$C_{\text{Soft-Start}}$ Charging Current ($\overline{\text{Reset}} = +2.4 \text{ V}$)	I_{CS}	50	100	150	μA
OUTPUT DRIVERS (Each Output, $V_{\text{C}} = +15 \text{ Vdc}$, unless otherwise noted.)					
Output High Level $I_{\text{source}} = 20 \text{ mA}$ $I_{\text{source}} = 100 \text{ mA}$	V_{OH}	12.5 12	13.5 13	– –	V
Output Low Level $I_{\text{sink}} = 20 \text{ mA}$ $I_{\text{sink}} = 100 \text{ mA}$	V_{OL}	– –	0.2 1.2	0.3 2.0	V
Collector Leakage, $V_{\text{C}} = +40 \text{ V}$	$I_{\text{C(leak)}}$	–	50	150	μA
Rise Time ($C_{\text{L}} = 1000 \text{ pF}$)	t_{r}	–	0.3	0.6	μs
Fall Time ($C_{\text{L}} = 1000 \text{ pF}$)	t_{f}	–	0.1	0.2	μs
Supply Current (Shutdown = +0.4 V, $V_{\text{CC}} = +35 \text{ V}$, $R_{\text{T}} = 4.12 \text{ k}\Omega$)	I_{CC}	–	18	30	mA

10. $f_{\text{osc}} = 40 \text{ kHz}$ ($R_{\text{T}} = 4.12 \text{ k}\Omega \pm 1\%$, $C_{\text{T}} = 0.01 \mu\text{F} \pm 1\%$, $R_{\text{D}} = 0 \Omega$)11. $0 \text{ V} \leq V_{\text{CM}} \leq +5.2 \text{ V}$ 12. $0 \text{ V} \leq V_{\text{CM}} \leq +12 \text{ V}$

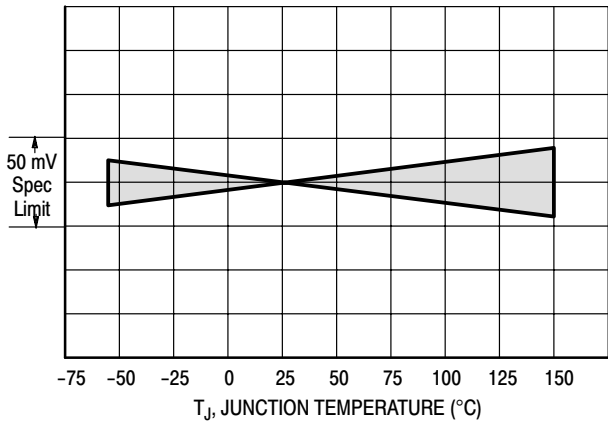


Figure 2. Reference Stability over Temperature

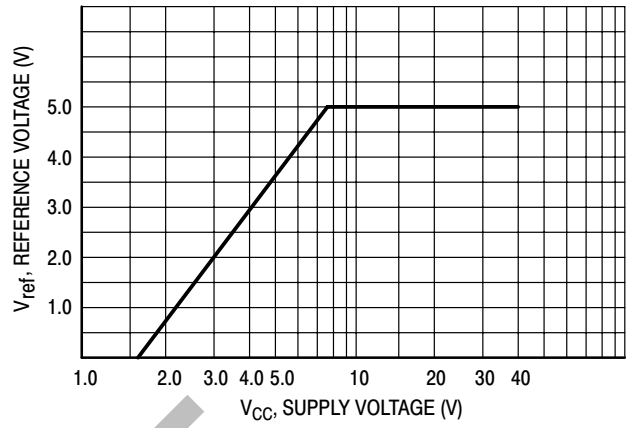


Figure 3. Reference Voltage as a Function of Supply Voltage

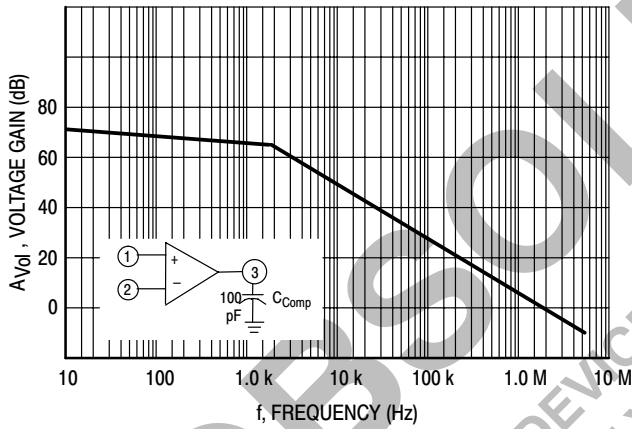


Figure 4. Error Amplifier Open Loop Frequency Response

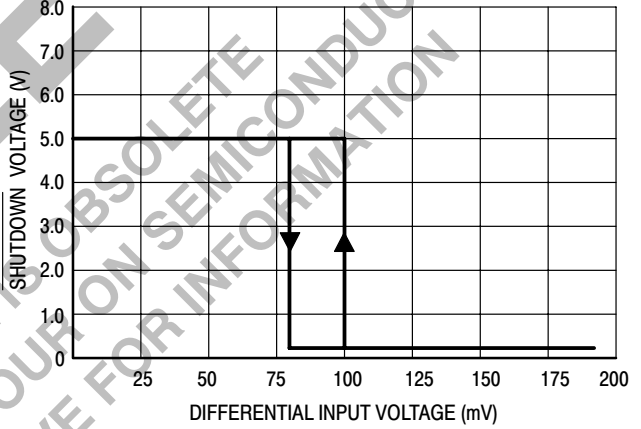


Figure 5. Current Limit Comparator Threshold

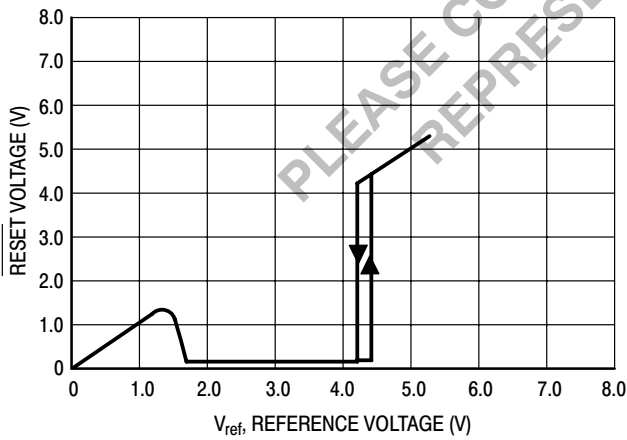


Figure 6. Undervoltage Lockout Characteristic

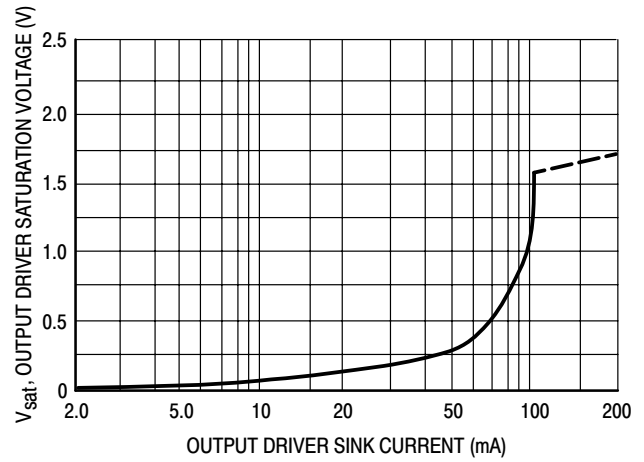


Figure 7. Output Driver Saturation Voltage as a Function of Sink Current

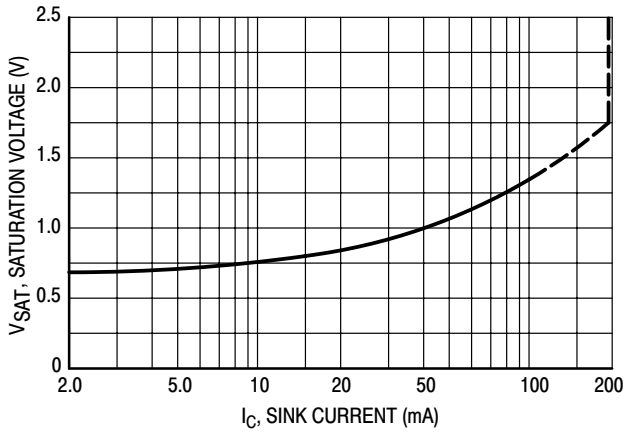


Figure 8. V_C Saturation Voltage as a Function of Sink Current

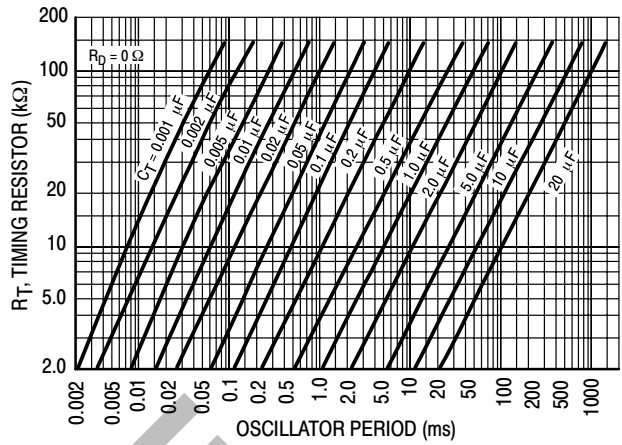


Figure 9. Oscillator Period

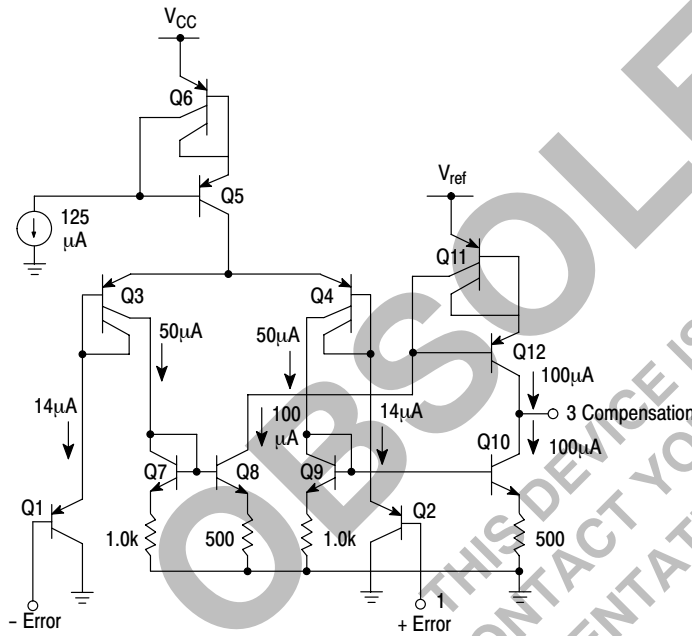


Figure 10. Error Amplifier

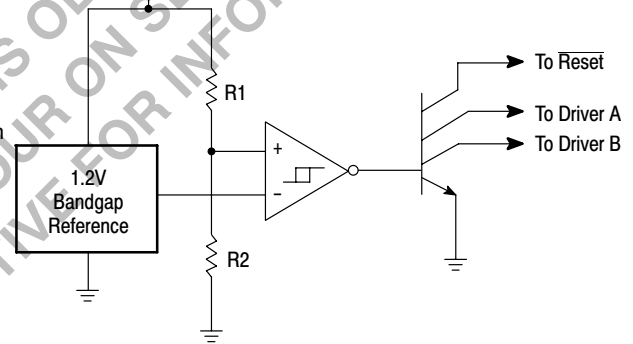
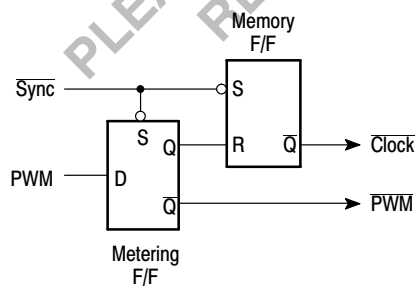


Figure 11. Undervoltage Lockout

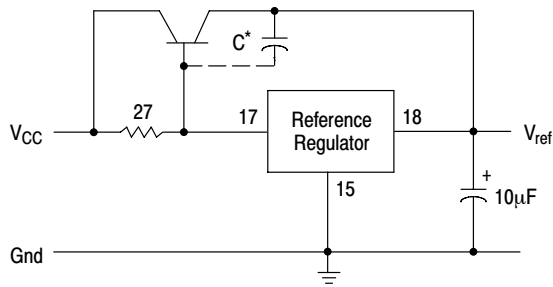


The metering Flip-Flop is an asynchronous data latch which suppresses high frequency oscillations by allowing only one PWM pulse per oscillator cycle.

The memory Flip-Flop prevents double pulsing in a push-pull configuration by remembering which output produced the last pulse.

Figure 12. Pulse Processing Logic

APPLICATIONS INFORMATION



* May be required with some types of transistors

Figure 13. Extending Reference Output Current Capability

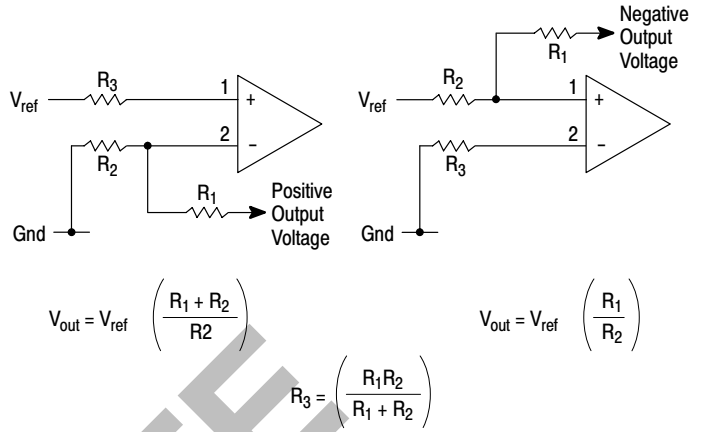


Figure 14. Error Amplifier Connections

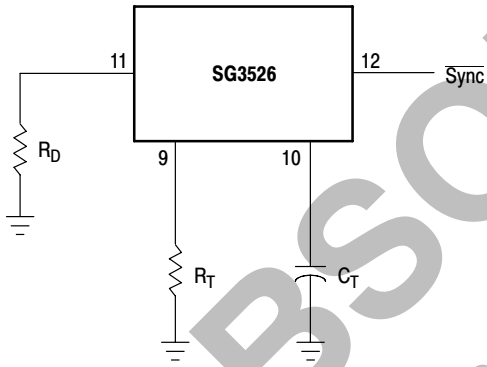


Figure 15. Oscillator Connections

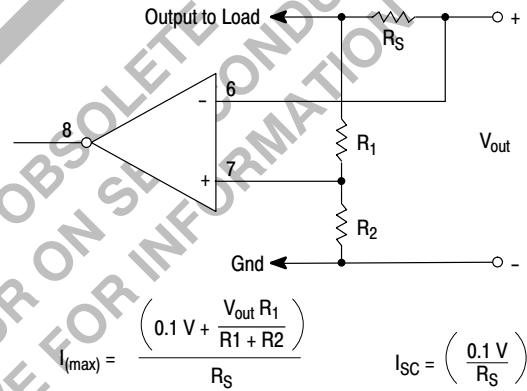


Figure 16. Foldback Current Limiting

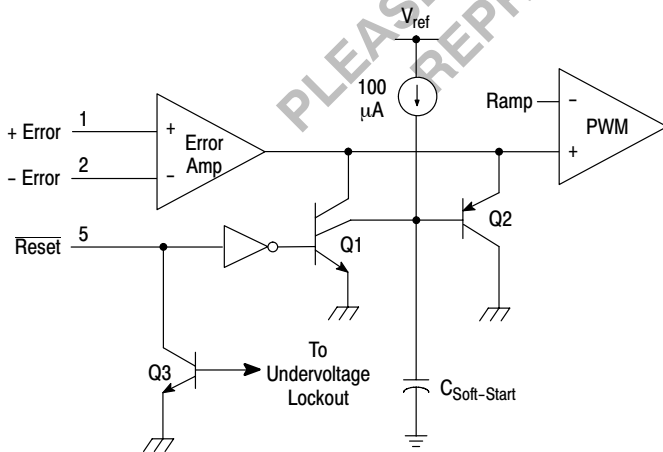
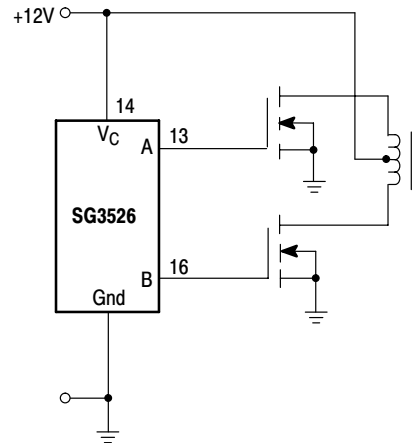


Figure 17. Soft-Start Circuitry



The totem pole output drivers of the SG3526 are ideally suited for driving the input capacitance of power FETs at high speeds.

Figure 18. Driving VMOS Power FETs

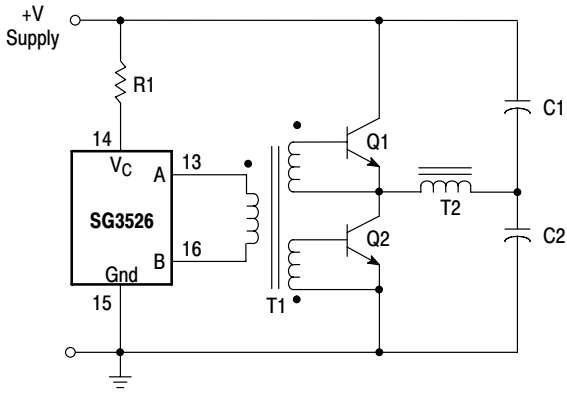
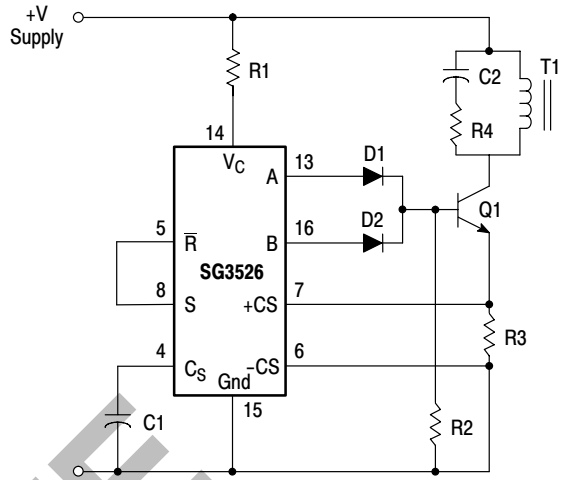


Figure 19. Half-Bridge Configuration



In the above circuit, current limiting is accomplished by using the current limit comparator output to reset the soft-start capacitor.

Figure 20. Flyback Converter with Current Limiting

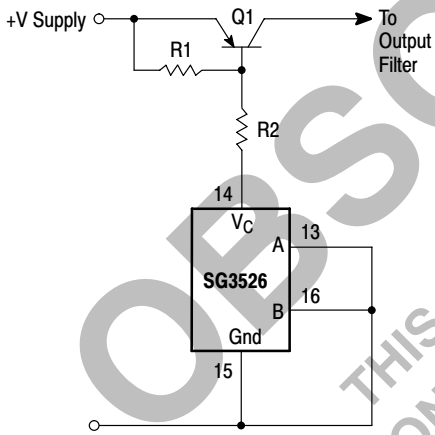


Figure 21. Single-Ended Configuration

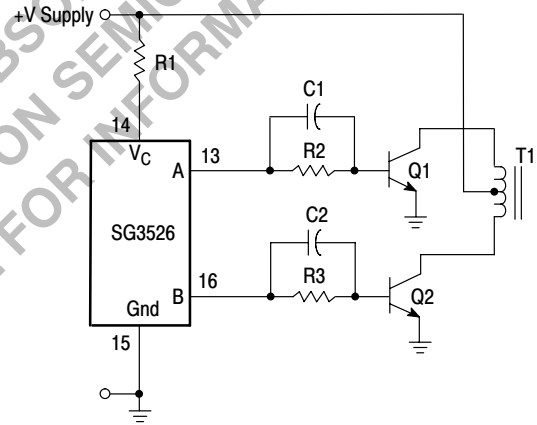
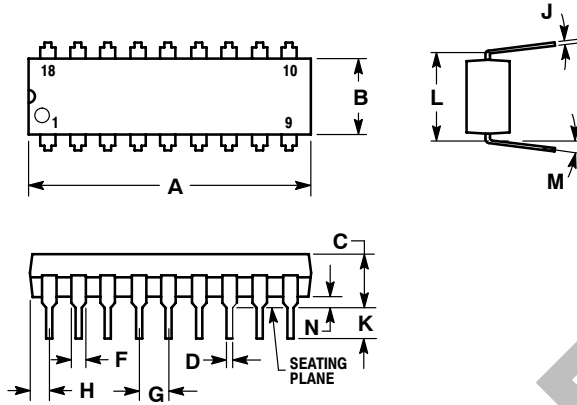


Figure 22. Push-Pull Configuration

SG3526

PACKAGE DIMENSIONS

PDIP-18
N SUFFIX
CASE 707-02
ISSUE D



NOTES:

1. POSITIONAL TOLERANCE OF LEADS (D), SHALL BE WITHIN 0.25 mm (0.010) AT MAXIMUM MATERIAL CONDITION, IN RELATION TO SEATING PLANE AND EACH OTHER.
2. DIMENSION L TO CENTER OF LEADS WHEN FORMED PARALLEL.
3. DIMENSION B DOES NOT INCLUDE MOLD FLASH.
4. CONTROLLING DIMENSION: INCH.

DIM	INCHES		MILLIMETERS	
	MIN	MAX	MIN	MAX
A	0.875	0.915	22.22	23.24
B	0.240	0.260	6.10	6.60
C	0.140	0.180	3.56	4.57
D	0.014	0.022	0.36	0.56
F	0.050	0.070	1.27	1.78
G	0.100 BSC		2.54 BSC	
H	0.040	0.060	1.02	1.52
J	0.008	0.012	0.20	0.30
K	0.115	0.135	2.92	3.43
L	0.300 BSC		7.62 BSC	
M	0°	15°	0°	15°
N	0.020	0.040	0.51	1.02

ON Semiconductor and **ON** are registered trademarks of Semiconductor Components Industries, LLC (SCILLC). SCILLC reserves the right to make changes without further notice to any products herein. SCILLC makes no warranty, representation or guarantee regarding the suitability of its products for any particular purpose, nor does SCILLC assume any liability arising out of the application or use of any product or circuit, and specifically disclaims any and all liability, including without limitation special, consequential or incidental damages. "Typical" parameters which may be provided in SCILLC data sheets and/or specifications can and do vary in different applications and actual performance may vary over time. All operating parameters, including "Typicals" must be validated for each customer application by customer's technical experts. SCILLC does not convey any license under its patent rights nor the rights of others. SCILLC products are not designed, intended, or authorized for use as components in systems intended for surgical implant into the body, or other applications intended to support or sustain life, or for any other application in which the failure of the SCILLC product could create a situation where personal injury or death may occur. Should Buyer purchase or use SCILLC products for any such unintended or unauthorized application, Buyer shall indemnify and hold SCILLC and its officers, employees, subsidiaries, affiliates, and distributors harmless against all claims, costs, damages, and expenses, and reasonable attorney fees arising out of, directly or indirectly, any claim of personal injury or death associated with such unintended or unauthorized use, even if such claim alleges that SCILLC was negligent regarding the design or manufacture of the part. SCILLC is an Equal Opportunity/Affirmative Action Employer. This literature is subject to all applicable copyright laws and is not for resale in any manner.

PUBLICATION ORDERING INFORMATION

LITERATURE FULFILLMENT:
Literature Distribution Center for ON Semiconductor
P.O. Box 5163, Denver, Colorado 80217 USA
Phone: 303-675-2175 or 800-344-3860 Toll Free USA/Canada
Fax: 303-675-2176 or 800-344-3867 Toll Free USA/Canada
Email: orderlit@onsemi.com

N. American Technical Support: 800-282-9855 Toll Free
USA/Canada
Europe, Middle East and Africa Technical Support:
Phone: 421 33 790 2910
Japan Customer Focus Center
Phone: 81-3-5773-3850

ON Semiconductor Website: www.onsemi.com
Order Literature: <http://www.onsemi.com/orderlit>
For additional information, please contact your local Sales Representative