

ELECTRICAL SPECIFICATIONS:

- | | |
|--|---|
| 1.0 TURNS RATIO: ALL TRANSFORMERS | : 1CT : 1CT ±3% |
| 2.0 INDUCTANCE: ALL TRANSFORMERS | : 350 uH MIN. @ 0.01V, 100KHZ, 8 mA DC BIAS |
| 3.0 LEAKAGE INDUCTANCE: ALL TRANSFORMERS | : 0.3uH MAX. @ 1MHz |
| 4.0 INTERWINDING CAPACITANCE: ALL TRANSFORMERS | : 30pf MAX @ 1MHz |
| 5.0 DC RESISTANCE: | : 1.2 ohms Max. |



InNet Technologies, Inc.
<http://www.innet-tech.com>



Stewart Connector Systems
<http://www.stewartconnector.com>

SHEET
1 OF 4

DRAWING NO.

SI-50069 REV. X1

6.0 RETURN LOSS: 1MHz TO 30MHz	:	-18dB MIN.
30MHz TO 80MHz	:	-12 dB MIN.
7.0 DIELECTRIC WITHSTAND: TRANSFORMER PRIMARY TO SECONDARY	:	1500 VAC
JACK PINS TO SHIELD	:	1500 VAC
8.0 INSERTION LOSS: RS=RL=100 ohms	:	-1.1 dB TYP
100KHz TO 100MHz	:	
9.0 RISE TIME: RS=100 OHMS AND RL = 100 OHMS	:	3.0 nS MAX
OUTPUT VOLTAGE = 1 V peak	:	3.0 nS MAX
PULSE WIDTH= 112nS	:	
10.0 CROSS TALK: 1-100 MHz	:	24 dB MIN
11.0 COMMON TO COMMON MODE ATTENUATION: 1MHz TO 100MHz	:	35dB TYP



InNet Technologies, Inc.
<http://www.innet-tech.com>

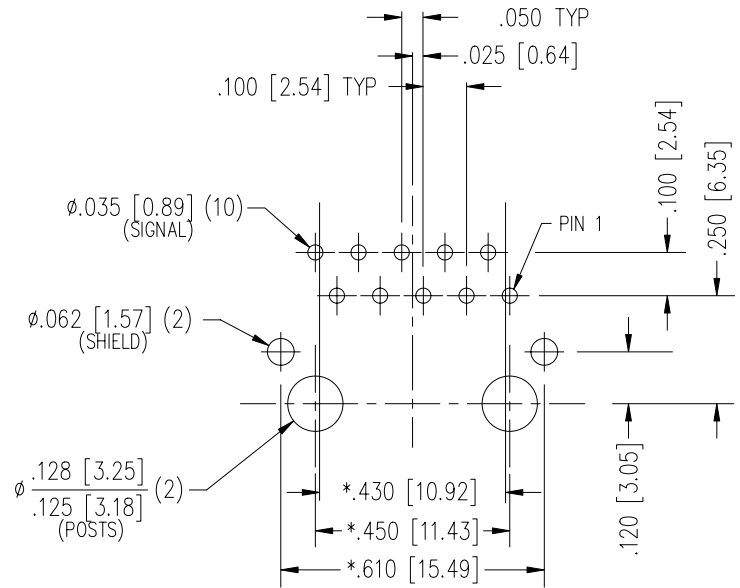
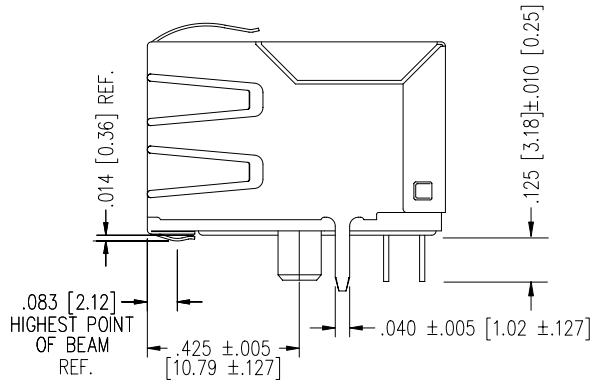
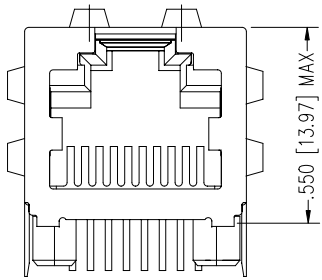
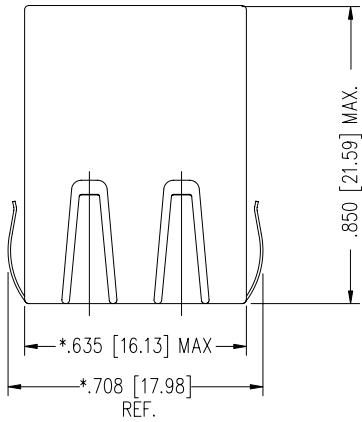


Stewart Connector Systems
<http://www.stewartconnector.com>

SHEET
2 OF 4

DRAWING NO.

SI-50069 REV. X1



P.C.B. RECOMMENDED HOLE LAYOUT
 SEEN FROM COMPONENT SIDE
 TOLERANCE ± 0.003 [0.08] UNLESS OTHERWISE SPECIFIED

NOTES:

- TOLERANCES COMPLY WITH F.C.C. DIMENSION REQUIREMENTS
- DIMENSIONS SHOWN WITH "*" TO BE CENTRAL ABOUT CENTER LINE
- DIMENSIONS SHOWN ARE SUBJECT TO CHANGE WITHOUT NOTICE.
- PIN NOT ELECTRICALLY CONNECTED MAYBE OMITTED. SEE ELECTRICAL DRAWING FOR OMITTED PINS.
- 50 MICRO-INCH SELECTIVE GOLD PLATING

CT750006



InNet Technologies, Inc.
<http://www.innet-tech.com>

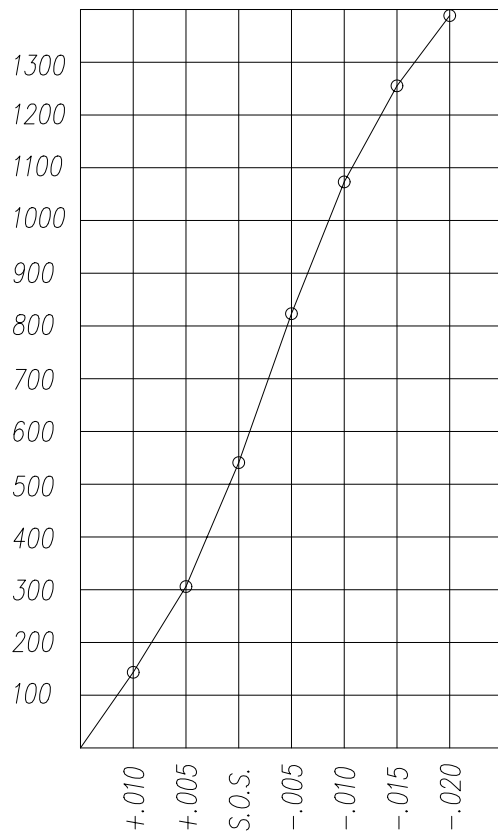


Stewart Connector Systems
<http://www.stewartconnector.com>

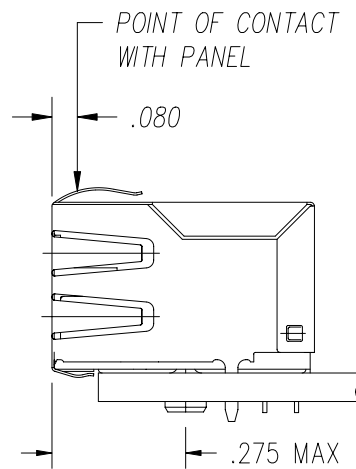
SHEET
 3 OF 4

DRAWING NO.

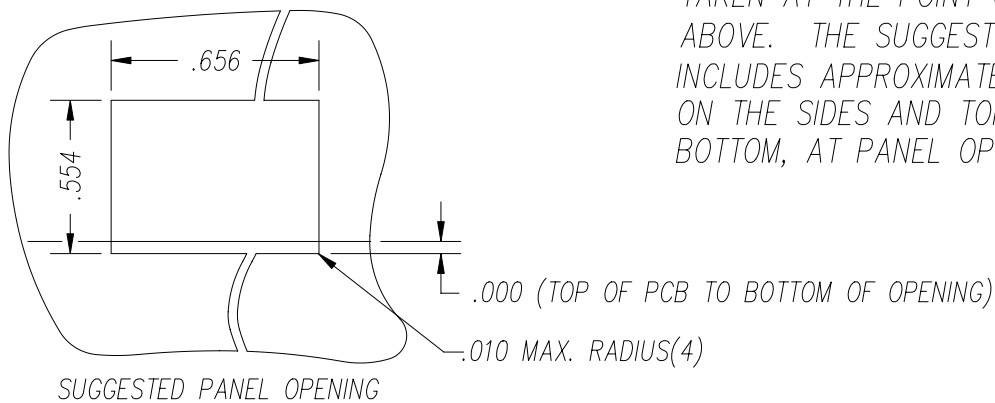
SI-50069 REV. X1



PANEL GROUNDING BEAM DEFLECTION
S.O.S. = SUGGESTED OPENING SIZE



THE SUGGESTED PANEL OPENING IS INTENDED TO GIVE THE USER THE ABILITY TO HAVE REASONABLE JACK / PANEL CLEARANCES YET MAINTAIN RELIABLE GROUNDING CAPABILITY. THESE VARIABLES CAN BE ADJUSTED IN EITHER DIRECTION BUT MAY CARRY SOME CONSEQUENCES IN THE FORM OF LOWER MATING FORCES OR TIGHTER ASSEMBLY TOLERANCES. FORCE VALUES ON THE GRAPH ARE GENERAL AVERAGES TAKEN AT THE POINT OF CONTACT SHOWN ABOVE. THE SUGGESTED PANEL OPENING INCLUDES APPROXIMATELY .020 CLEARANCE ON THE SIDES AND TOP AND .013 ON THE BOTTOM, AT PANEL OPENING.



SUGGESTED PANEL OPENING



InNet Technologies, Inc.
<http://www.innet-tech.com>



Stewart Connector Systems
<http://www.stewartconnector.com>