

Varistors

Types	V_V	V_{DC}	$V_{DC} \pm 10\%$	$\hat{I}_p^{1,2)}$	$\hat{I}_p^{1,3)}$	$\hat{W}_p^{1,3)}$	\hat{P}_{AV}	$\hat{V}_{pmax} (\hat{I}_p^1) = \dots$			w
	max.	max.	($I_{DC} = 1\text{ mA}$)	max. repetitive	max. non-repetitive	max.	max. $T_{amb} \leq 70\text{ }^\circ\text{C}$	(10 A)	(100 A)	(1000 A)	
	V	V	V	A	A	J	W	V	V	V	g

Plastic package, 1 varistor

SKVC 20 A 251	250	320	$390 \pm 15\%$	190	6500	140	$0,8^4)$	600	650	800	120
SKVC 20 A 460	460	615	$750 \pm 15\%$	190	6500	260	$0,8^4)$	1150	1270	1550	120

Plastic package, 1 varistor + 1 capacitor 0,1 μF

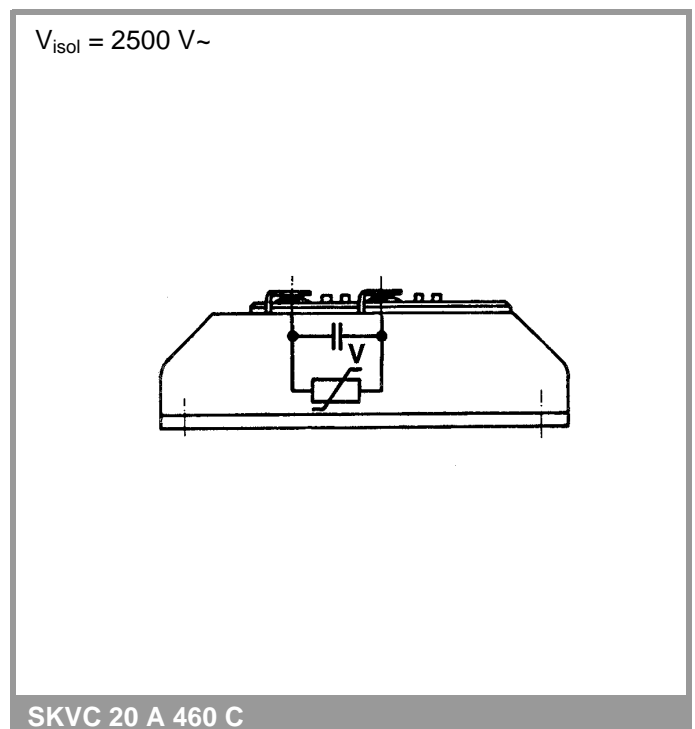
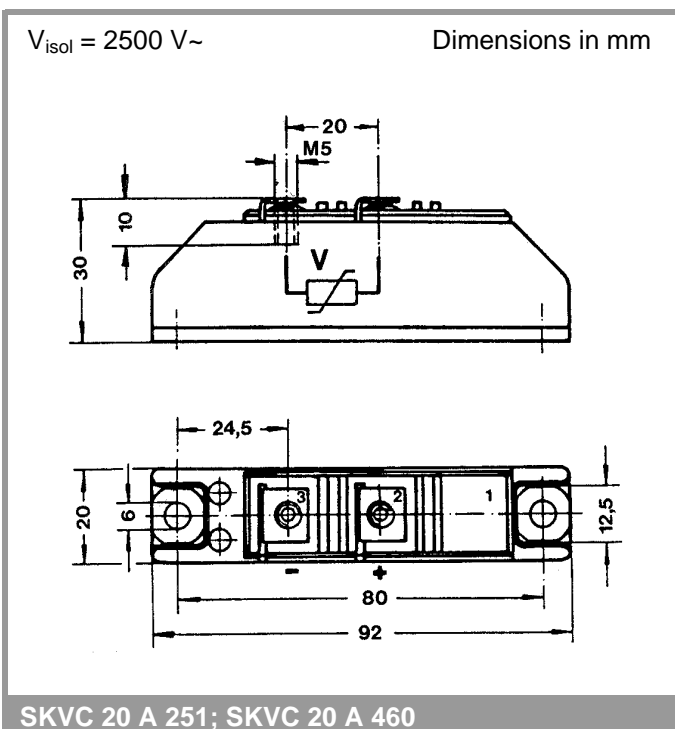
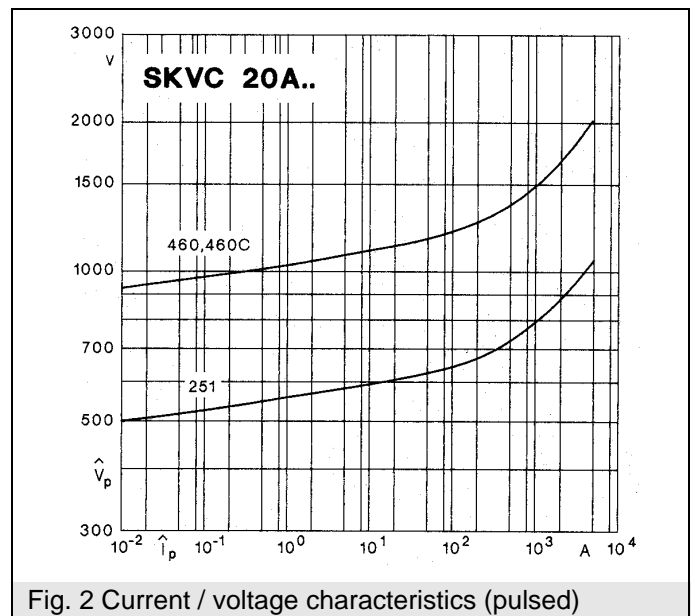
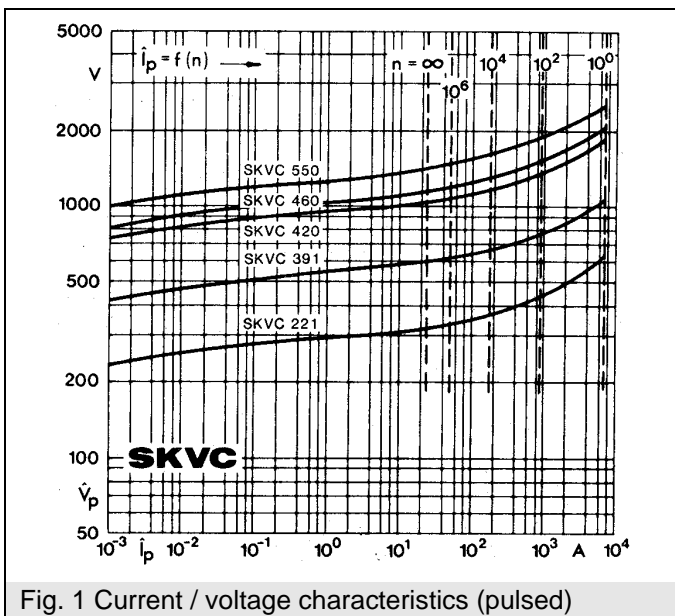
SKVC 20 A 460C	460	615	$750 \pm 15\%$	190	6500	260	$0,8^4)$	1150	1270	1550	130
----------------	-----	-----	----------------	-----	------	-----	----------	------	------	------	-----

1) IEC standard current pulse waveform $8 \times 20\ \mu\text{s}$

2) 10^4 times during lifetime

3) Once during lifetime

4) $T_{case} \leq 85\text{ }^\circ\text{C}$



Varistors

