

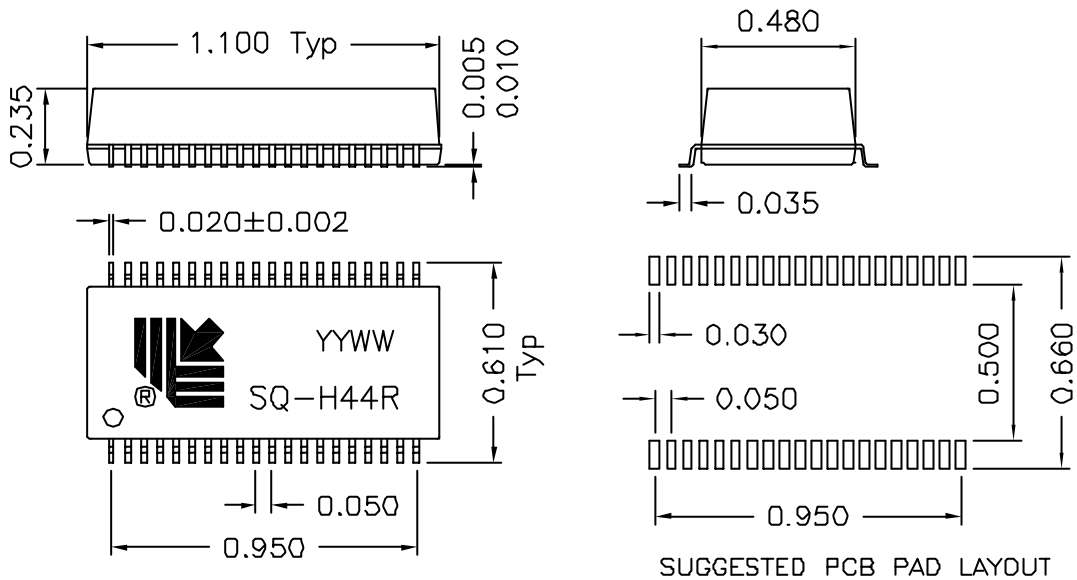
10/100BASE-T Quad Ports Magnetics Module

- IC Grade Transfer-Molded Package withstand 235°C IR Reflow

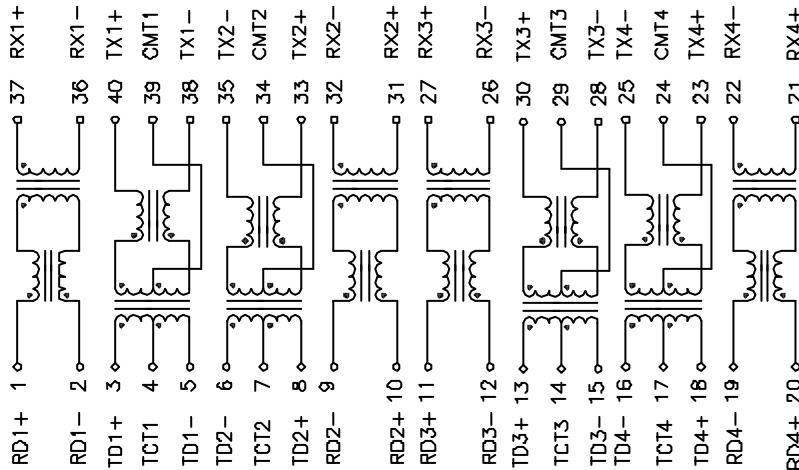
Electrical Specifications: @25

Turn Ratio: PRI/SEC TX 1CT:1CT $\pm 3\%$ RX 1:1 $\pm 3\%$
 Isolation Voltage: 1500Vrms (Input to Output)
 OCL: 350uH Minimum @100KHz, 100mV 8mADC
 Leakage Inductance: 0.4uH Maximum @100KHz 100mV PRI Shorted
 PRI/SEC Cw/w: 20pF Typical @100KHz 100mV
 Rise Time: 2.5ns Typical
 Insertion Loss: -1.0dB Maximum @100KHz - 100MHz
 Return Loss: -18dB Min @1MHz-30MHz
 -14dB Min @40MHz-50MHz
 -10dB Min @60MHz - 80MHz
 CROSS TALK: -35dB Minimum @100KHz-100MHz
 CMRR: -40dB Typical @100KHz - 100MHz

Mechanicals:



Schematics:



Specification subject to change without notice

P/N: SQ-H44R	DIMENSIONS IN INCH	Unless otherwise specified Dim. Tolerances are: .xxx ± 0.010	REV: C1	DRWN:	DATE: 03-09-27
	SCALE: NONE		PAGE: 1/1	APPD:	DATE: