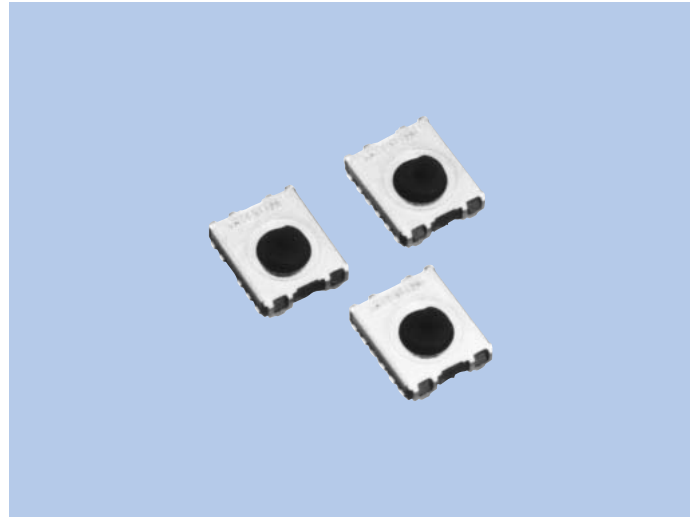


Rotary Switches SRM Series

FEATURES

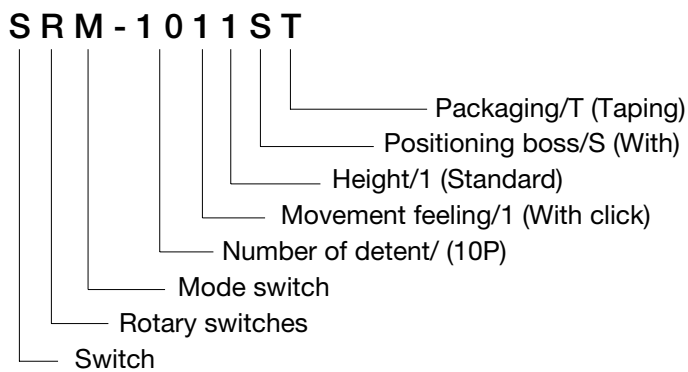
1. Small size (7x6mm) and small mounting area.
2. Supports SMT. (supports re-flow soldering)
3. 10 detents available as standard.
4. Realizes thin profile, with height including operating knobs only 2.5mm when in set.



USES

1. Mode selection switch for digital cameras, digital video cameras and other AV equipment.

MODEL NAME CODE



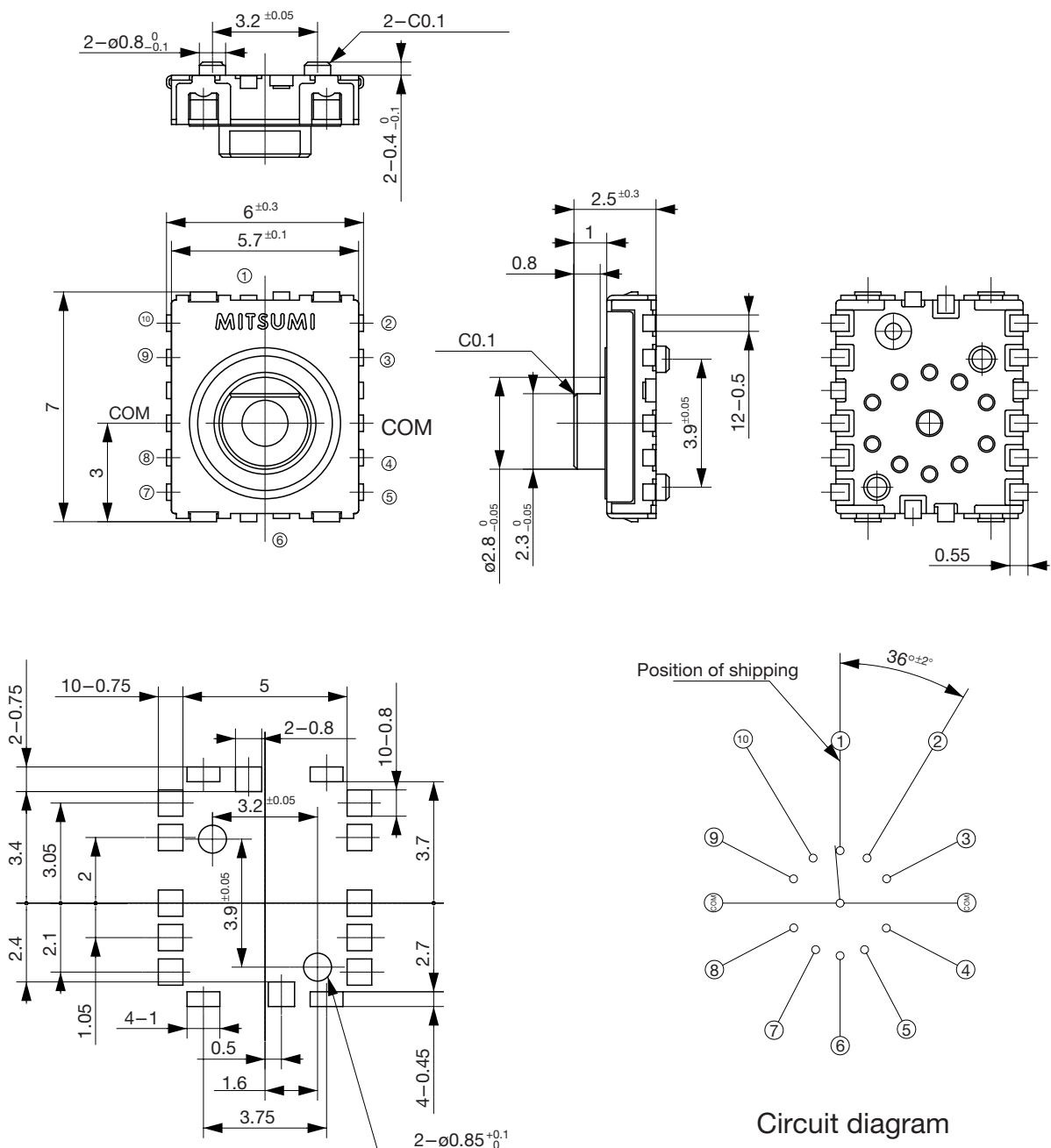
TYPE

Model Name Code	Order Number	No. of Detent	Rotational Torque	Pcs
SRM-1011ST	R66 6312	10	15mN · m or less	3000

SPECIFICATIONS

Electrical Characteristics	Rating	10mA, 5V DC
	Contact Resistance	1Ω or less
	Insulation Resistance	10MΩ or more
	Withstand Voltage	1 minute at 50V AC
Mechanical Characteristics	Rotational Torque	15mN · m or less

DIMENSIONS



Printed writing board land dimensions
(When viewd from switch mounting side)

Unit : mm
Tolerance : ±0.3mm