

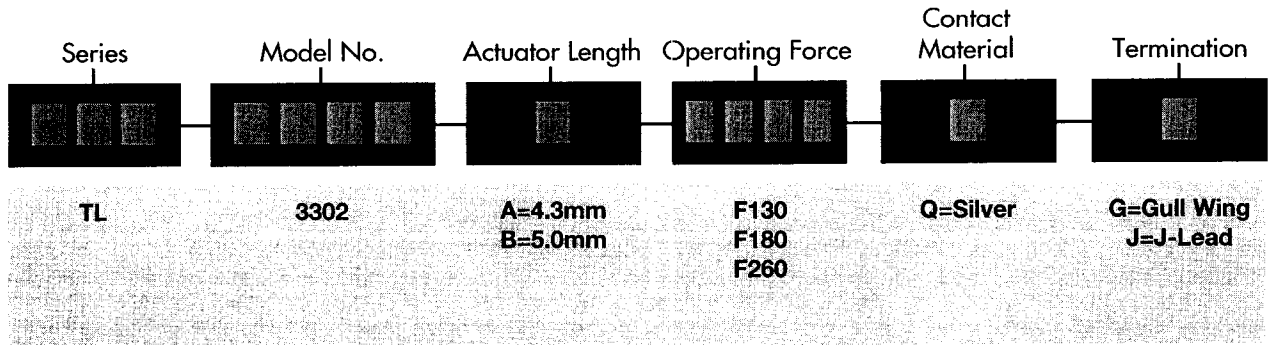
**SPECIFICATIONS**

Rating: 50mA @ 50 VDC  
 Mechanical Life: 100,000 cycles typical  
 Contact Resistance: 20mΩ max. initial @ 2-4 VDC  
 100mA for both silver and gold plated contacts  
 Insulation Resistance: 100MΩ min.  
 Dielectric Strength: 1,000 Vrms at sea level  
 Operating Force: 130 ± 50 gf, 180 ± 50 gf, 260 ± 50 gf

**MATERIALS**

Housing: Polyphenylene Sulfide (PPS)  
 Actuator: Polyphenylene Sulfide (PPS)  
 Bracket/Cover: Tin plated steel  
 Contacts: Silver-clad phosphor bronze, gold over nickel over phosphor bronze  
 Terminals: Silver-clad brass, gold over nickel over brass

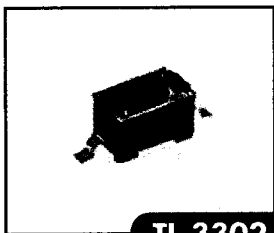
**HOW TO ORDER**



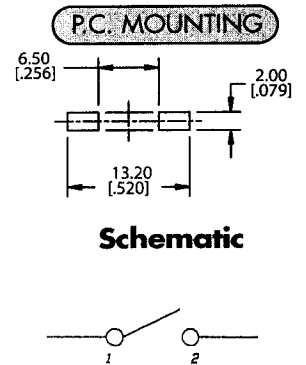
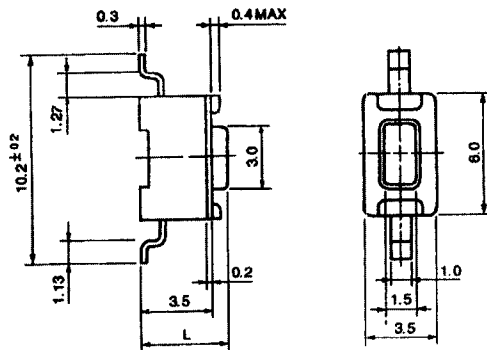
**EXAMPLE**

TL → 3302 → A → F180 → Q → G

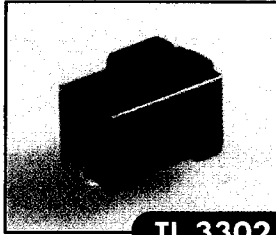
SPECIFICATIONS SUBJECT TO CHANGE WITHOUT NOTICE.



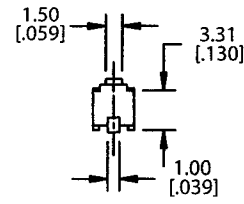
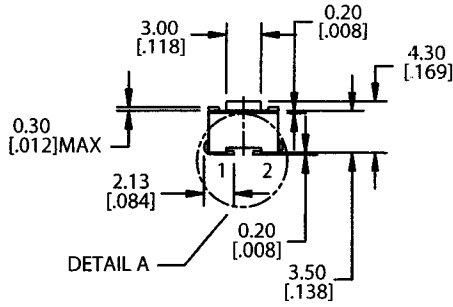
**TL 3302**  
Gull Wing Termination



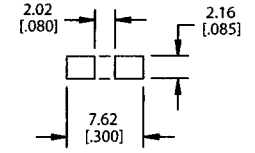
SURFACE MOUNT TACT SWITCHES



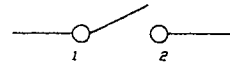
**TL 3302**  
J-Lead Termination



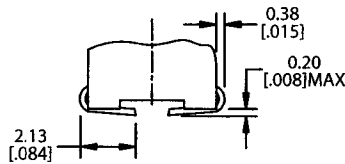
P.C. MOUNTING



Schematic



Detail A



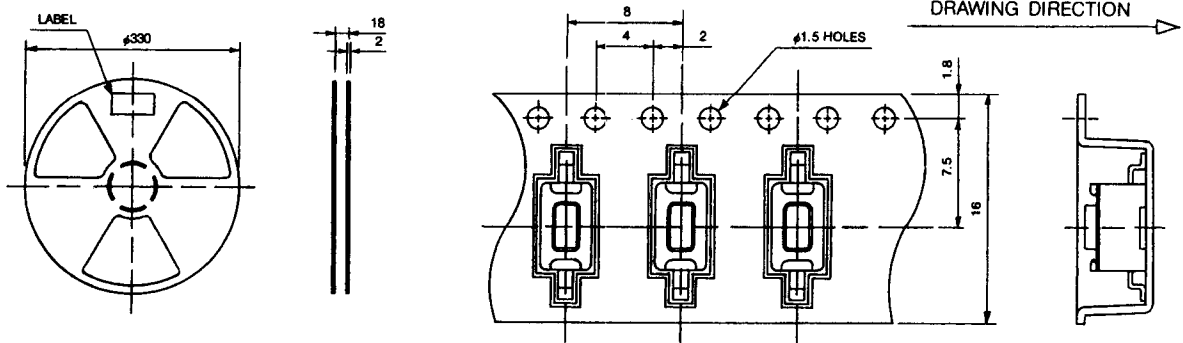
ACTUATOR OPTIONS

Actuator Length (L)
A = 4.3 mm
B = 5.0 mm

OPERATING FORCES

Operating Force
F130 = 130 ± 50gf
F180 = 180 ± 50gf
F260 = 260 ± 50gf

TL 3302 STANDARD REEL



SPECIFICATIONS SUBJECT TO CHANGE WITHOUT NOTICE.