



# VCA610

## WIDEBAND VOLTAGE CONTROLLED AMPLIFIER

### FEATURES

- WIDE GAIN CONTROL RANGE: 80dB
- SMALL PACKAGE: 8-pin SOIC or DIP
- WIDE BANDWIDTH: 30MHz
- LOW VOLTAGE NOISE:  $2.2\text{nV}/\sqrt{\text{Hz}}$
- FAST GAIN SLEW RATE:  $300\text{dB}/\mu\text{s}$
- EASY TO USE

### DESCRIPTION

The VCA610 is a wideband, continuously variable, voltage controlled gain amplifier. It provides linear-dB gain control with high impedance inputs. It is designed to be used as a flexible gain control element in a variety of electronic systems.

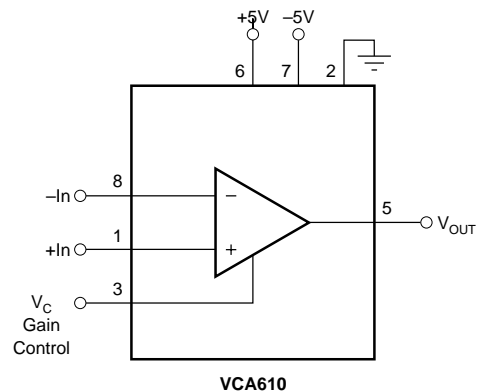
The VCA610 has a gain control range of 80dB (-40dB to +40dB) providing both gain and attenuation for maximum flexibility in a small 8-lead SO-8 or plastic dual-in-line package. The broad attenuation range can be used for gradual or controlled channel turn-on and turn-off for applications in which abrupt gain changes can create artifacts or other errors. In addition, the output can be disabled to provide -80dB of attenuation. Group delay variation with gain is typically less than  $\pm 2\text{ns}$  across a bandwidth of 1 to 15MHz.

The VCA610 has a noise figure of 3.5dB (with an  $R_S$  of  $200\Omega$ ) including the effects of both current and voltage noise. Instantaneous output dynamic range is 70dB for gains of 0dB to +40dB with 1MHz noise bandwidth. The output is capable of driving  $100\Omega$ . The high speed,  $300\text{dB}/\mu\text{s}$ , gain control signal is a unipolar (0 to -2V) voltage that varies the gain linearly in dB/V.

### APPLICATIONS

- OPTICAL DISTANCE MEASUREMENT
- AGC AMPLIFIER
- ULTRASOUND
- SONAR
- ACTIVE FILTERS
- LOG AMPLIFIER
- IF CIRCUITS
- CCD CAMERAS

The VCA610 is designed with a very fast overload recovery time of only 200ns. This allows a large signal transient to overload the output at high gain, without obscuring low-level signals following closely behind. The excellent overload recovery time and distortion specifications optimize this device for low-level doppler measurements.



# SPECIFICATIONS

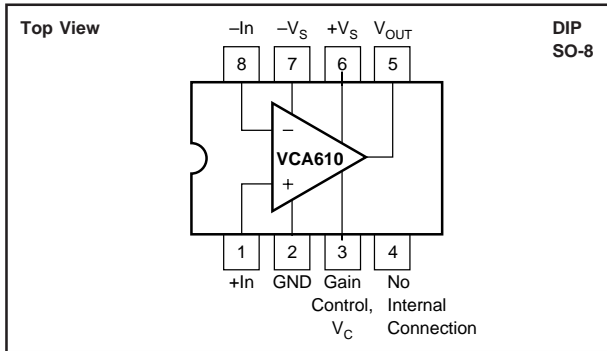
## ELECTRICAL

All specifications at  $V_S = \pm 5V$ ,  $R_L = 500\Omega$ ,  $R_S = 0\Omega$ , and  $T_A = +25^\circ C$ , unless otherwise noted.

PARAMETER	CONDITIONS	VCA610PA, UA			VCA610P, U			UNITS
		MIN	TYP	MAX	MIN	TYP	MAX	
<b>INPUT NOISE</b> Input Voltage Noise Input Current Noise Noise Figure	$G = +40dB$ , $R_S = 0\Omega$ $G = -40dB$ to $+40dB$ $G = +40dB$ , $R_S = 200\Omega$		2.2 1.4 3.5			*	*	nV/ $\sqrt{Hz}$ pA/ $\sqrt{Hz}$ dB
<b>INPUT</b> Input Impedance Bias Current Offset Current Differential Voltage Range Common-Mode Voltage Range Common-Mode Rejection	Common-Mode All Gains All Gains (1) $\pm 2.5$ 50		1    1 6 2 (1) $\pm 2.5$ 50			*	*	M $\Omega$    pF $\mu A$ $\mu A$  V dB
<b>GAIN</b> Specified Gain Range Gain Accuracy(2) Gain Accuracy Temperature Drift Gain with Output Disabled	$-40dB \leq G \leq +40dB$ $T_A = -25^\circ C$ to $+85^\circ C$ $+0.1V \leq V_C \leq +2.0V$ , $f = 1MHz$	-40	$\pm 0.5$ $\pm 0.01$ -80	+40 $\pm 2$	*	$\pm 2$ *	*	dB dB dB/ $^\circ C$ dB
<b>GAIN CONTROL</b> Gain Scaling Factor Control Voltage ( $V_C$ ) Bandwidth Slew Rate Settling Time: 1% Input Impedance Input Bias Current Output Offset Change(3)	$-40dB \leq G \leq +40dB$ $G = -40dB$ ( $V_C = 0V$ ) to $+40dB$ ( $V_C = -2V$ ) -3dB 80dB Gain Step $V_{IN} = 10mVDC$ , $\Delta G = 80dB$	0	40 1 300 800 1    1 2 $\pm 30$	-2	*	*	*	dB/V V MHz dB/ $\mu s$ ns M $\Omega$    pF $\mu A$ mV
<b>FREQUENCY RESPONSE</b> Bandwidth, Small-Signal Bandwidth, Large-Signal Group Delay Unit-to-Unit Variation 0dB $\leq G \leq +40dB$ -40dB $\leq G < 0dB$ Output Slew Rate Overload Recovery(4) Two-tone Intermodulation Distortion(5) Two-tone, 3rd Order IMD Intercept(5)	-3dB, All Gains $V_O = 1Vp-p$ , $G \geq 0dB$  $f = 1$ to 15MHz $f = 1$ to 15MHz $V_O = 1Vp-p$  Small-Signal Small-Signal		30 25 $\pm 1$ $\pm 2$ 60 200 -50 15			*	*	MHz MHz ns ns V/ $\mu s$ ns dBc dBm
<b>OUTPUT</b> Voltage Swing(1) $G = +40dB$ $G = 0dB$ Output Voltage Limit Short-Circuit Current Instantaneous Dynamic Range (IDR)(6) $G = 0dB$ to $+40dB$ Offset Output Resistance	Continuous to Common  $V_O = 1.5Vp-p$ $G = -40dB$ $f = 1MHz$ , All Gains	$\pm 1$ $\pm 0.5$	$\pm 1.6$ $\pm 0.75$ Symmetrical to Ground ( $\pm 10\%$ ) $\pm 80$ 70 $\pm 2$ 10			*	*	V V  mA dB mV $\Omega$
<b>POWER SUPPLY</b> Specification PSR Quiescent Current	$\pm 5V$ Recommended $G = 0dB$	$\pm 4.5$ 40	50 -26/+30	$\pm 5.5$ $\pm 32$	*	*	*	V dB mA
<b>TEMPERATURE</b> Specification Operation Thermal Resistance, $\theta_{JA}$ P, PA U, UA	Applies to Temperature Drift Specs	-25 -40		+85 +125	*	*	*	$^\circ C$ $^\circ C$ $^\circ C/W$ $^\circ C/W$

NOTES: (1) See Input/Output Range discussion in Applications Information Section (Figure 2). (2) Gain is laser trimmed and tested at gains of -40dB, 0dB, +15dB, +25dB, and +40dB;  $V_{IN} = 1Vp-p$  for gains less than 0dB;  $V_{OUT} = 1V$  for gains of 0dB to +40dB. (3) Output offset change from offset at  $G = -40dB$ . (4) Gain = +40dB; Input step of 2V to 2mV; time required for output to return from saturation to linear operation. (5)  $V_{IN} = 7mVp-p$ ,  $V_{OUT} = 700mVp-p$  (250mVrms); Output Power = -10dBm/line, equal amplitude tones of 5MHz  $\pm 500Hz$ ,  $G = +40dB$ . See typical performance curves. (6) With  $R_S = 0\Omega$ , and noise bandwidth of 1MHz.  $IDR = 20 \log (V_{ORMS}/(e_{ORMS} \times \sqrt{BW}))$ ; where  $V_{ORMS}$  is rms output voltage,  $e_{ORMS}$  is output noise spectral density, and BW is noise bandwidth.

## PIN CONFIGURATION



## ABSOLUTE MAXIMUM RATINGS

Supply .....	$\pm 7V$
Differential Input Voltage .....	Total $V_S$
Input Voltage Range .....	See Input Protection Section
Storage Temperature Range .....	$-65^{\circ}C$ to $+150^{\circ}C$
Lead Temperature (soldering, DIP, 10s) .....	$+300^{\circ}C$
Lead Temperature (soldering, SO-8, 3s) .....	$+260^{\circ}C$
Output Short-Circuit to Ground ( $+25^{\circ}C$ ) .....	Continuous
Junction Temperature ( $T_J$ ) .....	$+175^{\circ}C$

## PACKAGE/ORDERING INFORMATION

PRODUCT	PACKAGE	PACKAGE DRAWING NUMBER <sup>(1)</sup>
VCA610PA	8-Pin Plastic DIP	006
VCA610P	8-Pin Plastic DIP	006
VCA610UA	SO-8 Surface-Mount	182
VCA610U	SO-8 Surface-Mount	182

NOTE:(1) For detailed drawing and dimension table, please see end of data sheet, or Appendix C of Burr-Brown IC Data Book.



## ELECTROSTATIC DISCHARGE SENSITIVITY

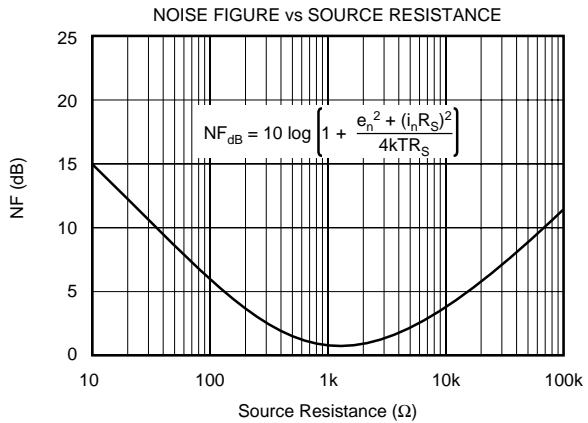
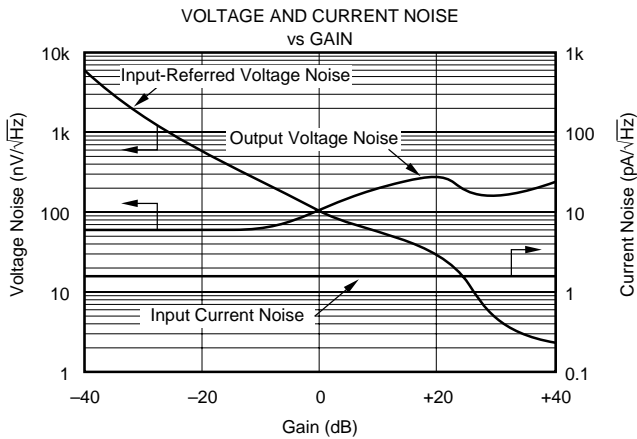
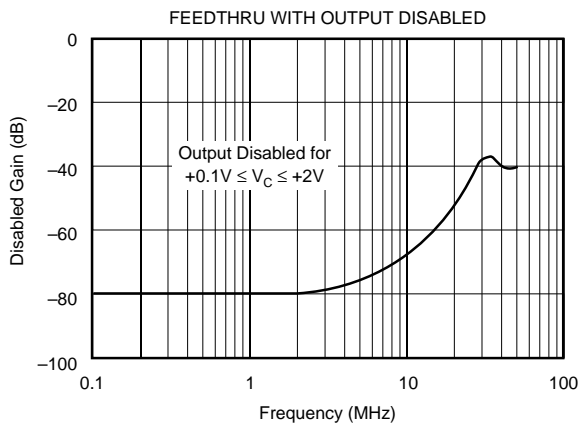
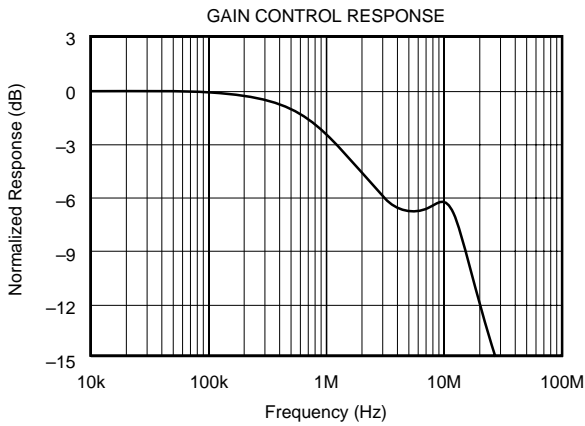
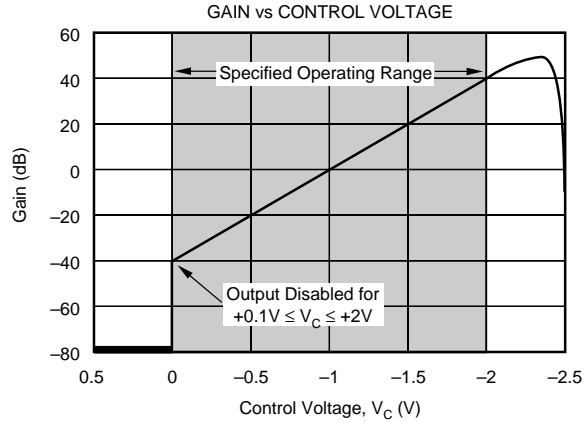
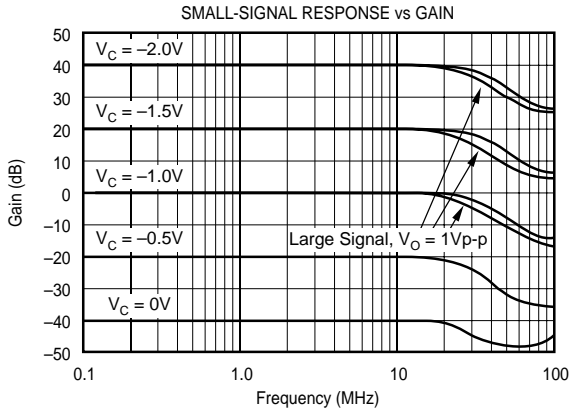
This integrated circuit can be damaged by ESD. Burr-Brown recommends that all integrated circuits be handled with appropriate precautions. Failure to observe proper handling and installation procedures can cause damage.

ESD damage can range from subtle performance degradation to complete device failure. Precision integrated circuits may be more susceptible to damage because very small parametric changes could cause the device not to meet its published specifications.

The information provided herein is believed to be reliable; however, BURR-BROWN assumes no responsibility for inaccuracies or omissions. BURR-BROWN assumes no responsibility for the use of this information, and all use of such information shall be entirely at the user's own risk. Prices and specifications are subject to change without notice. No patent rights or licenses to any of the circuits described herein are implied or granted to any third party. BURR-BROWN does not authorize or warrant any BURR-BROWN product for use in life support devices and/or systems.

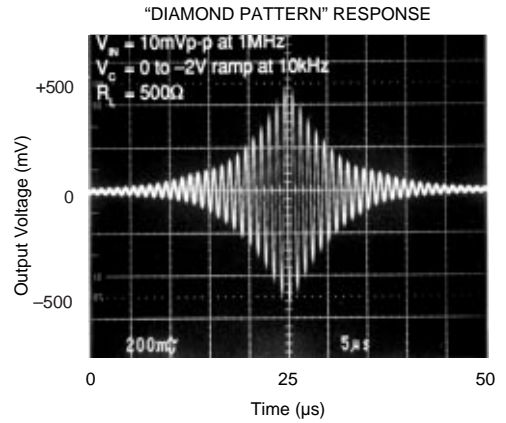
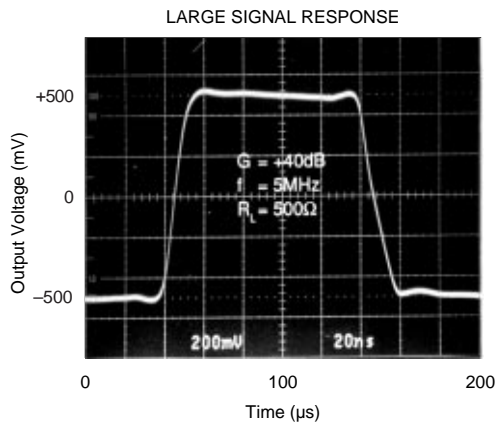
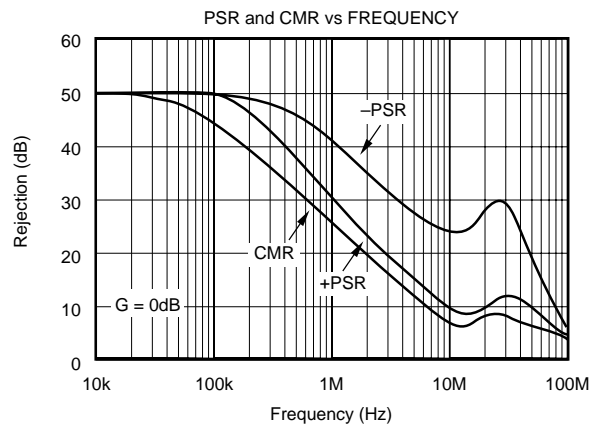
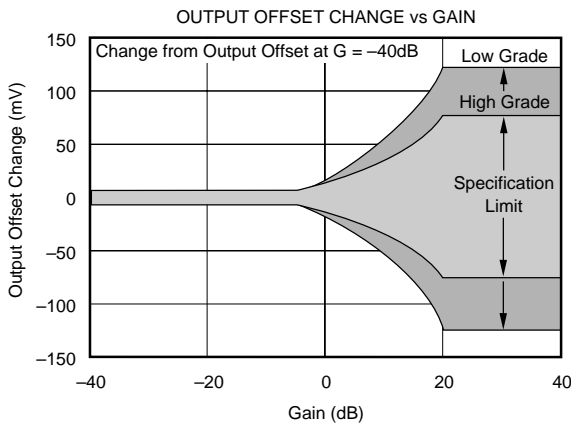
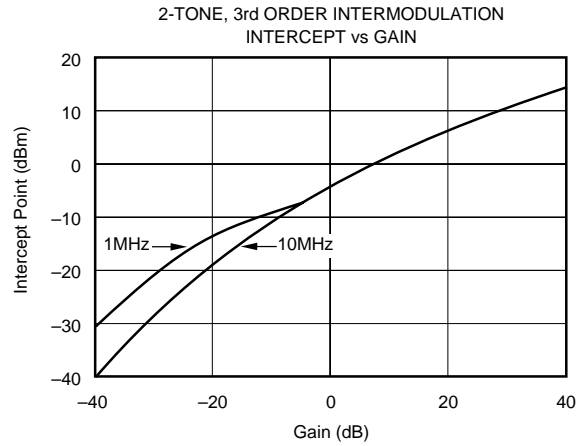
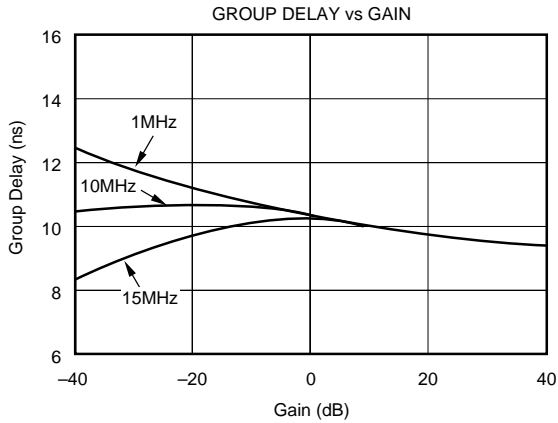
# TYPICAL PERFORMANCE CURVES

At  $V_S = \pm 5V$ ,  $R_L = 500\Omega$ ,  $R_S = 0\Omega$ , and  $T_A = +25^\circ C$ , unless otherwise noted.



# TYPICAL PERFORMANCE CURVES (CONT)

At  $V_S = \pm 5V$ ,  $R_L = 500\Omega$ ,  $R_S = 0\Omega$ , and  $T_A = +25^\circ C$ , unless otherwise noted.



# APPLICATIONS INFORMATION

## CIRCUIT DESCRIPTION

The VCA610 is a wideband voltage amplifier with a voltage-controlled gain, as modeled in Figure 1. The circuit's basic voltage amplifier responds to the control of an internal gain control amplifier. At its input, the voltage amplifier presents the high impedance of a differential stage, permitting flexible input impedance matching. To preserve termination options, no internal circuitry connects to the input bases of this differential stage. For this reason, the user should provide DC paths for the input base currents either through a grounded termination resistor or a direct connection to ground. The differential input stage also permits rejection of common-mode signals to remove ground bounce effects. At its output, the voltage amplifier presents the low impedance of class A-B emitter-follower stage, again simplifying impedance matching. An open-loop design produces wide bandwidth at all gain levels and avoids the added overload-recovery and propagation delays of feedback designs. Repeated use of differential stages minimizes offset effects for reduced feedthrough of the gain control signal. A ground-sensing, differential to single-ended converter retains the low offset in the amplifier output stage.

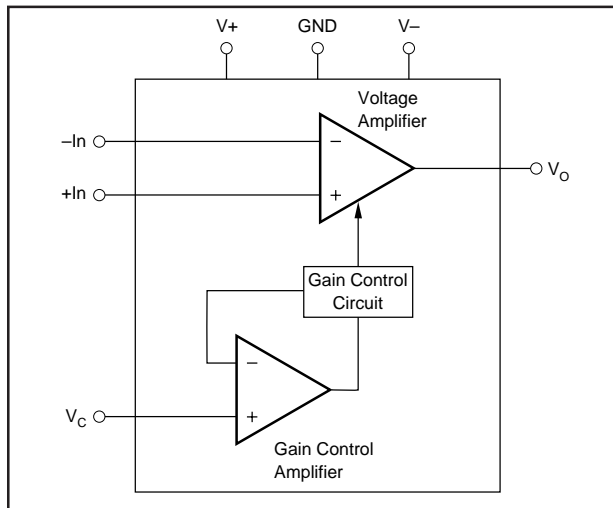


FIGURE 1. Block Diagram of the VCA610.

A user-applied voltage,  $V_C$ , controls the amplifier's gain magnitude through a high-speed control circuit. Gain polarity can be either inverting or noninverting depending upon the amplifier input driven by the input signal. Use of the inverting input is recommended since this connection tends to minimize positive feedback from the output to the non-inverting input. The gain control circuit presents the high input impedance of a noninverting op amp connection.

Control voltage  $V_C$  varies the amplifier gain according to the exponential relationship  $G(V/V) = 10^{-2(V_C + 1)}$ . This translates to the linear, logarithmic relationship  $G(\text{dB}) = -40 - 40V_C$ . Thus,  $G(\text{dB})$  varies linearly over the specified  $-40\text{dB}$

to  $+40\text{dB}$  range as  $V_C$  varies from 0 to  $-2V$ . Optionally, making  $V_C$  slightly positive,  $\geq 0.1V$ , effectively disables the amplifier, giving  $80\text{dB}$  of attenuation at low frequencies.

Internally, the gain control circuit varies the amplifier gain through a time-proven method which exploits the linear relationship between the transconductance,  $g_m$ , of a bipolar transistor and the transistor's bias current. Varying the bias currents of differential stages varies  $g_m$  to control the voltage gain of the VCA610. Relying on transistor  $g_m$  to set gain also avoids the need for a noise-producing gain-set resistor in the amplifier input circuit. This reliance normally introduces a high thermal sensitivity to the gain. However, the VCA610 employs specialized analog signal processing that removes this thermal effect.

## INPUT/OUTPUT RANGE

The VCA610's  $80\text{dB}$  gain range allows the user to handle an exceptionally wide range of input signal levels. If the unit's input and output voltage range specifications are exceeded, however, signal distortion and amplifier overloading will occur. The VCA610's maximum input and output voltage range is best illustrated in Figure 2.

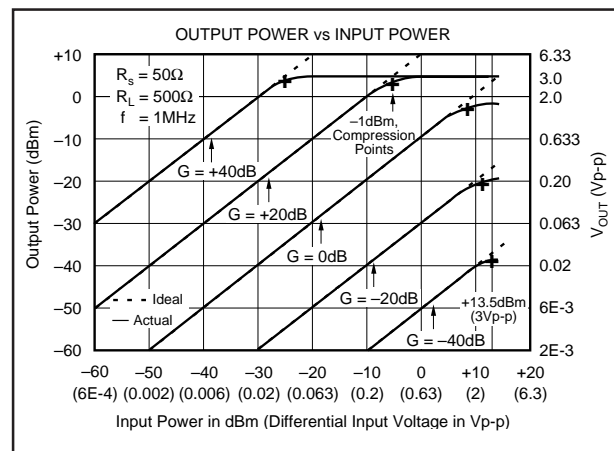


FIGURE 2. Input and Output Range.

Figure 2 plots output power vs input power for five voltage gains spaced at  $20\text{dB}$  intervals. The  $1\text{dBm}$  compression points occur where the actual output power (solid lines) deviates by  $-1\text{dBm}$  from the ideal output power (dashed lines). Compression is produced by different mechanisms depending on the selected gain. For example, at  $G = -40\text{dB}$ ,  $1\text{dBm}$  compression occurs when the input signal approaches approximately  $3V_p-p$  ( $13.5\text{dBm}$  for  $R_S = 50\Omega$ ). Input overloading is the compression mechanism for all gains from  $-40\text{dB}$  to about  $-5\text{dB}$ . For gains between  $-5\text{dB}$  and  $+5\text{dB}$ , the compression is due to internal gain stage overloading. Compression over this gain range occurs when the output signal becomes distorted as internal gain stages become overdriven. At  $G = 0\text{dB}$ ,  $1\text{dBm}$  compression occurs when the input exceeds approximately  $1.5V_p-p$  ( $7.5\text{dBm}$ ). At gains greater than about  $5\text{dB}$ , the compression mechanism is due to output stage overloading. Output overloading occurs

when either the maximum output voltage swing or output current is exceeded. The VCA610's high output current of  $\pm 80\text{mA}$  insures that virtually all output overloads will be limited by voltage swing rather than by current limiting. At  $G = +40\text{dB}$ ,  $1\text{dBm}$  compression occurs when the output voltage approaches  $3\text{V}_{\text{p-p}}$  ( $3.5\text{dBm}$  for  $R_L = 500\Omega$ ). Table I below summarizes these results.

GAIN RANGE	OUTPUT COMPRESSION MECHANISM	TO PREVENT OPERATE WITHIN
$-40\text{dB} < G < -5\text{dB}$	Input Stage Overload	Input Voltage Range
$-5\text{dB} < G < +5\text{dB}$	Internal Stages Overloading	Output Voltage Range
$+5\text{dB} < G < +40\text{dB}$	Output Stage Overload	Output Voltage Range

TABLE I. Output Signal Compression.

### WIRING PRECAUTIONS

Maximizing the VCA610's capability requires some wiring precautions and high-frequency layout techniques. In general, printed circuit board conductors should be as short and as wide as possible to provide low resistance, low impedance signal paths. Stray signal coupling from the output or power supplies to the inputs should be minimized. Unused inputs should be grounded as close to the package as possible.

Low impedance ground returns for signal and power are essential. Proper supply bypassing is also extremely critical and must *always* be used. Both power supply leads should be bypassed to ground as close as possible to the amplifier pins. Tantalum capacitors ( $1\mu\text{F}$  to  $10\mu\text{F}$ ) with very short leads are recommended. Surface mount bypass capacitors will provide excellent results due to their low lead inductance.

### OVERLOAD RECOVERY

As shown in Figure 2, the onset of overload occurs whenever the actual output begins to deviate from the ideal expected output. If possible, the user should operate the VCA610 within the linear regions shown in order to minimize signal distortion and overload delay time. However, instances of amplifier overload are actually quite common in Automatic Gain Control (AGC) circuits which involve the application of variable gain to signals of varying levels. The VCA610's design incorporates circuitry which allows it to recover from most overload conditions in  $200\text{ns}$  or less. Overload recovery time is defined as the time required for the output to return from overload to linear operation following the removal of either an input or gain control overdrive signal.

### OFFSET ADJUSTMENT

Where desired, the offset of the VCA610 can be removed as shown in Figure 3. This circuit simply presents a DC voltage to one of the amplifier's inputs to counteract the offset error voltage. For best offset performance, the trim adjustment should be made with the amplifier set at the maximum gain of the intended application. The offset voltage of the VCA610 varies with gain, limiting the complete offset cancellation to

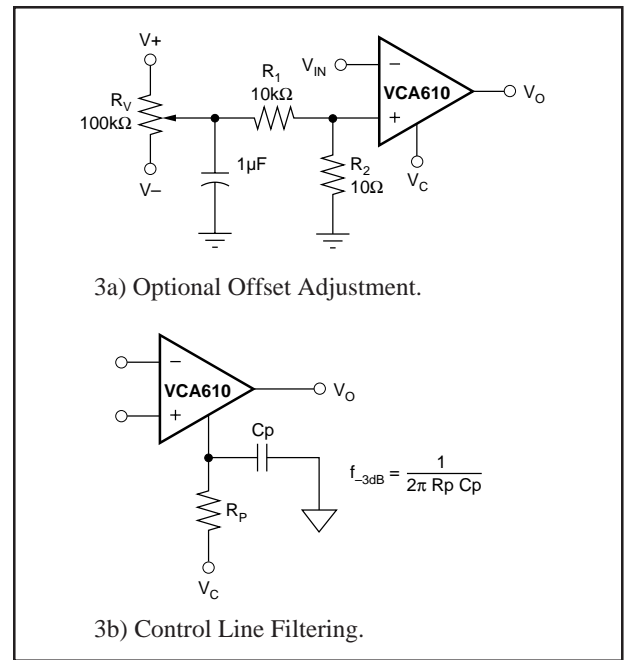


FIGURE 3. Optional Offset Adjustment and Control Line Filtering.

one selected gain. Selecting the maximum gain optimizes offset performance for higher gains where high amplification of the offset effects produces the greatest output offset. Two features minimize the offset control circuit's noise contribution to the amplifier input circuit. First, making the resistance of  $R_2$  a low value minimizes the noise directly introduced by the control circuit. This reduces both the thermal noise of the resistor and the noise produced by the resistor with the amplifier's input noise current. A second noise reduction results from capacitive bypass of the potentiometer output. This filters out power supply noise that would otherwise couple to the amplifier input.

This filtering action would diminish as the wiper position approaches either end of the potentiometer but practical conditions prevent such settings. Over its full adjustment range, the offset control circuit produces a  $\pm 5\text{mV}$  offset correction for the values shown. However, the VCA610 only requires one tenth of this range for offset correction, assuring that the potentiometer wiper will always be near the potentiometer center. With this setting, the resistance seen at the wiper remains high and this stabilizes the filtering function.

### GAIN CONTROL

The VCA610's gain is controlled by means of a unipolar negative voltage applied between ground and the gain control input, pin 3. If use of the output disable feature is required, a ground-referenced bipolar voltage is needed. Output disable occurs for  $+0.1\text{V} \leq V_C \leq +2\text{V}$ , and produces  $80\text{dB}$  of attenuation. The control voltage should be limited to  $+2\text{V}$  in disable mode, and  $-2\text{V}$  in the gain mode in order to prevent saturation of internal circuitry.



The VCA610's gain control input has a  $-3\text{dB}$  bandwidth of  $1\text{MHz}$  and varies with frequency as shown in the Typical Performance Curves. This wide bandwidth, although useful for many applications, can allow high frequency noise to modulate the gain control input. In practice, this can be easily avoided by filtering the control input as shown in Figure 3b.  $R_p$  should be no greater than  $100\Omega$  so as not to introduce gain errors by interacting with the gain control's input bias current of  $2\mu\text{A}$ .

## INPUT PROTECTION

Electrostatic damage (ESD) has been well recognized for MOSFET devices, but any semiconductor device deserves protection from this potentially damaging source. The VCA610 incorporates on-chip ESD protection diodes as shown in Figure 4. This eliminates the need for the user to add external protection diodes, which can add capacitance and degrade AC performance.

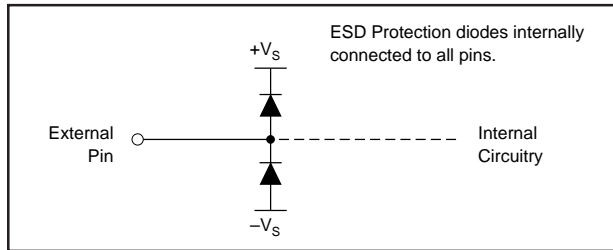


FIGURE 4. Internal ESD Protection.

All pins on the VCA610 are internally protected from ESD by means of a pair of back-to-back reverse-biased diodes to either power supply as shown. These diodes will begin to conduct when the pin voltage exceeds either power supply by about  $0.7\text{V}$ . This situation can occur with loss of the amplifier's power supplies while a signal source is still present. The diodes can typically withstand a continuous current of  $30\text{mA}$  without destruction. To insure long term reliability, however, diode current should be externally limited to  $10\text{mA}$  whenever possible.

The internal protection diodes are designed to withstand  $2.5\text{kV}$  (using Human Body Model) and provides adequate ESD protection for most normal handling procedures. However, static protection is strongly recommended since static damage can cause subtle changes in amplifier operational characteristics without necessarily destroying the device.

## APPLICATIONS

The electronically variable gain of the VCA610 suits pulse-echo imaging systems well. Such applications include medical imaging, non-destructive structural inspection and optical distance measurement. The amplifier's variable gain also serves AGC amplifiers, amplitude-stabilized oscillators, log amplifiers and exponential amplifiers. The discussions below present examples of these applications.

## ULTRASOUND TGC AMPLIFIER

The Figure 5 block diagram illustrates the fundamental configuration common to pulse-echo imaging systems. A piezoelectric crystal serves as both the ultrasonic pulse generator and the echo monitor transducer. A transmit/receive (T/R) switch isolates the monitor amplifier from the crystal during the pulse generation cycle and, then, connects the amplifier to the crystal during the echo monitor cycle.

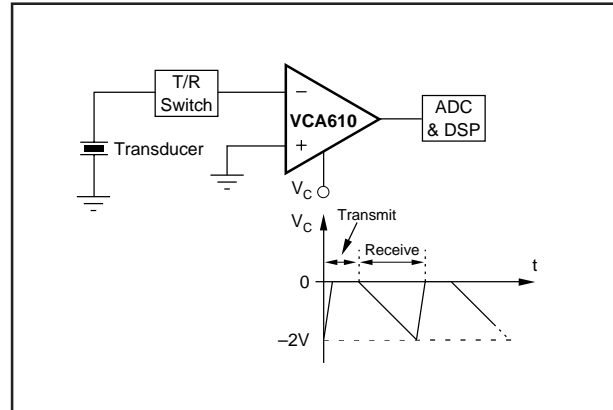


FIGURE 5. Typical Ultrasound Application.

During the monitor (receive) cycle, the control voltage  $V_c$ , varies the amplifier gain. The gain is varied for three basic signal processing requirements of a transducer array based beamformer: compensation for depth attenuation effects, sometimes called Time Gain Compensation (TGC); receive apodization or windowing for reducing side lobe energy; and dynamic aperture sizing for better near field resolution.

Time gain compensation increases the amplifier's gain as the ultrasound signal moves through the material to compensate for signal attenuation versus material depth. For this purpose, a ramp signal applied to the VCA610 gain control input linearly increases the dB gain of the VCA610 with time. The gain control provides signal apodization or windowing with transducer arrays connected to amplifier arrays. Selective weighting of amplifier gains across the transducer aperture suppresses side lobe effects in the beamformer output to reduce image artifacts. Gain controlled attenuation or disabling the amplifier can be used to dynamically size the array aperture for better near field resolution. The controlled attenuation of the VCA610 minimizes switching artifacts and eliminates the bright radial rings that can result. The VCA610's  $80\text{dB}$  gain range accommodates these functions.

## WIDE-RANGE LOW-NOISE VCA

Figure 6 combines two VCA610s in series, extending the overall gain range and improving noise performance. This combination produces a gain equal to the sum of the two amplifier's logarithmic gains for a composite range of



–80dB to +80dB. Simply connecting  $V_{C1}$  and  $V_{C2}$  to the same 0 to –2V gain control voltage can produce this range, however, separate control voltages for the two amplifiers offer a noise performance improvement. In that configuration, each amplifier separately controls one half the gain range in a manner that always holds  $G_1$  at the maximum level possible.

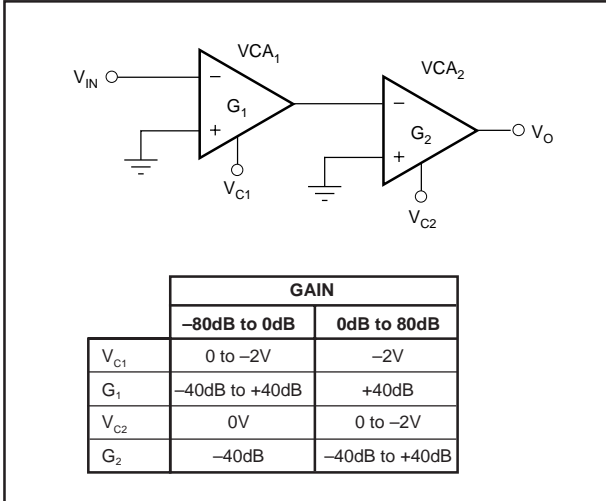


FIGURE 6. Two Series Connected VCA610s Expand the Gain Range and Improve Noise Performance.

At higher gains, variation of  $V_{C2}$  alone makes VCA<sub>2</sub> provide all of the gain control, leaving the gain of VCA<sub>1</sub> fixed at its maximum of 40dB. This gain maximum corresponds to the maximum bias currents in VCA<sub>1</sub>, minimizing this amplifier’s noise. Thus, for composite circuit gains of 0dB to +80dB, VCA<sub>1</sub> serves as a low-noise, fixed-gain preamp.

For lower composite gains, VCA<sub>1</sub> provides the gain control and VCA<sub>2</sub> acts as a fixed attenuator. There, variation of  $V_{C1}$  varies  $G_1$  from –40dB to +40dB while  $V_{C2}$  remains fixed at 0V for  $G_2 = –40$ dB. This mode produces the –80dB to 0dB segment of the composite gain range.

## WIDE-RANGE AGC AMPLIFIER

The voltage-controlled gain feature of the VCA610 makes this amplifier ideal for precision AGC applications with control ranges as large as 60dB. The AGC circuit of Figure 7 adds an op amp and diode for amplitude detection, a holding capacitor to store the control voltage and resistors  $R_1$  through  $R_3$  that determine attack and release times. Resistor  $R_4$  and capacitor  $C_C$  phase compensate the AGC feedback loop. The op amp compares the positive peaks of output  $V_O$  with a DC reference voltage  $V_R$ . Whenever a  $V_O$  peak exceeds  $V_R$ , the OPA620 output swings positive, forward biasing the diode and charging the holding capacitor. This drives the capacitor voltage in a positive direction, reducing the amplifier gain.  $R_3$  and the  $C_H$  largely determine the attack time of this AGC correction.

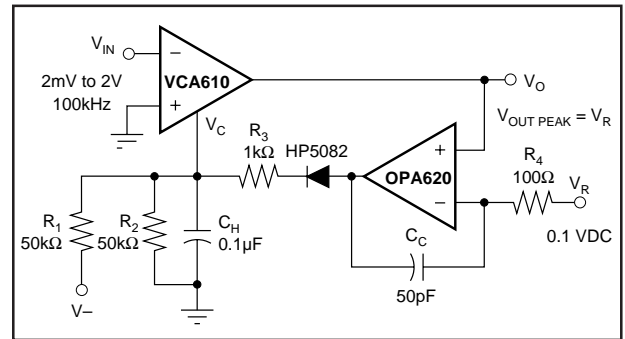


FIGURE 7. This AGC Circuit Maintains a Constant Output Amplitude for a 1000:1 Input Range.

Between gain corrections, resistor  $R_1$  charges the capacitor in a negative direction, increasing the amplifier gain.  $R_1$ ,  $R_2$  and  $C_H$  determine the release time of this action. Resistor  $R_2$  forms a voltage divider with  $R_1$ , limiting the maximum negative voltage developed on  $C_H$ . This limit prevents input overload of the VCA610’s gain control circuit.

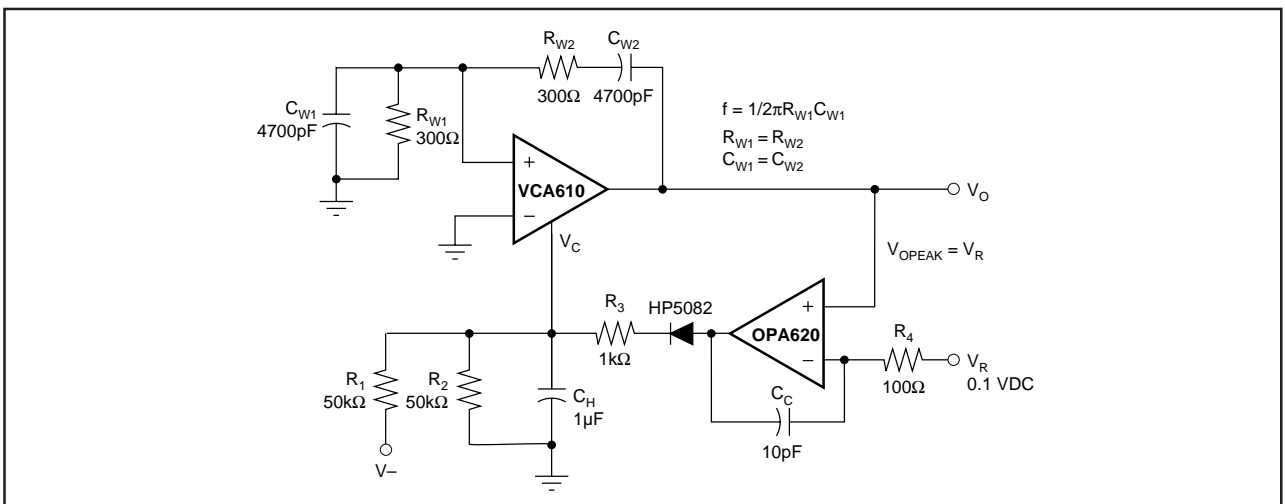


FIGURE 8. Adding Wein-bridge Feedback to the AGC Circuit of Figure 7 Produces an Amplitude Stabilized Oscillator.

## STABILIZED WEIN-BRIDGE OSCILLATOR

Adding Wein-bridge feedback to the above AGC amplifier produces an amplitude-stabilized oscillator. Shown in Figure 8, this alternative requires the addition of just two resistors ( $R_{W1}$ ,  $R_{W2}$ ) and two capacitors ( $C_{W1}$ ,  $C_{W2}$ ).

Connecting the feedback network to the amplifier's noninverting input introduces positive feedback to induce oscillation. The feedback factor displays a frequency dependence due to the changing impedances of the  $C_W$  capacitors. As frequency increases, the decreasing impedance of the  $C_{W2}$  increases the feedback factor. Simultaneously, the decreasing impedance of the  $C_{W1}$  decreases this factor.

Analysis shows that the maximum factor occurs at  $f = 1/2\pi R_W C_W$ , making this the frequency most conducive to oscillation. At this frequency the impedance magnitude of  $C_W$  equals  $R_W$  and inspection of the circuit shows that this condition produces a feedback factor of 1/3. Thus, self-sustaining oscillation requires a gain of three through the amplifier. The AGC circuitry establishes this gain level. Following initial circuit turn on,  $R_1$  begins charging  $C_H$  negative, increasing the amplifier gain from its minimum. When this gain reaches three, oscillation begins at  $f = 1/2\pi R_W C_W$  and  $R_1$ 's continued charging effect makes the oscillation amplitude grow. This growth continues until that amplitude reaches a peak value equal to  $V_R$ . Then, the AGC circuit counteracts the  $R_1$  effect, controlling the peak amplitude at  $V_R$  by holding the amplifier gain at a level of three. Making  $V_R$  an AC signal, rather than a DC reference, produces amplitude modulation of the oscillator output.

## LOW-DRIFT WIDEBAND LOG AMP

The VCA610 can be used to provide a 250kHz (-3dB) log amp with low offset voltage and low gain drift.

The exponential gain control characteristic of the VCA610 permits simple generation of a temperature-compensated logarithmic response. Enclosing the exponential function in an op amp feedback path inverts this function, producing the log response. Figure 9 shows the practical implementation of this technique. A DC reference voltage,  $V_R$ , sets the VCA610 inverting input voltage. This makes the amplifier's output voltage  $V_{OA} = -G V_R$  where  $G = 10^{-2(V_C + 1)}$ .

A second input voltage also influences  $V_{OA}$  through control of gain  $G$ . The feedback op amp forces  $V_{OA}$  to equal the input voltage  $V_{IN}$  connected at the op amp inverting input. Any difference between these two signals drops across  $R_3$ , producing a feedback current that charges  $C_C$ . The resulting change in  $V_{OL}$  adjusts the gain of the VCA610 to change  $V_{OA}$ . At equilibrium,  $V_{OA} = V_{IN} = -V_R 10^{-2(V_C + 1)}$ . The op amp forces this equality by supplying the gain control voltage  $V_C = R_1 V_{OL} / (R_1 + R_2)$ . Combining the last two expressions and solving for  $V_{OL}$  yields the circuit's logarithmic response.

$$V_{OL} = - (1 + R_2/R_1) [1 + 0.5 \text{LOG} (-V_{IN}/V_R)]$$

Examination of this result illustrates several circuit characteristics. First, the argument of the Log term,  $-V_{IN}/V_R$ ,

reveals an option and a constraint. In Figure 9,  $V_R$  represents a DC reference voltage. Optionally, making this voltage a second signal produces log-ratio operation. Either way, the Log term's argument constrains the polarities of  $V_R$  and  $V_{IN}$ . These two voltages must be of opposite polarities to ensure a positive argument. This polarity combination results when  $V_R$  connects to the inverting input of the VCA610. Alternately, switching  $V_R$  to this amplifier's noninverting input removes the minus sign of the log term's argument. Then, both voltages must be of the same polarity to produce a positive argument. In either case, the positive polarity requirement of the argument restricts  $V_{IN}$  to a unipolar range.

The above  $V_{OL}$  expression reflects a circuit gain introduced by the presence of  $R_1$  and  $R_2$ . This feature adds a convenient scaling control to the circuit. However, a practical matter sets a minimum level for this gain. The voltage divider formed by  $R_1$  and  $R_2$  attenuates the voltage supplied to the  $V_C$  terminal by the op amp. This attenuation must be great enough to prevent any possibility of an overload voltage at the  $V_C$  terminal. Such an overload saturates the VCA610's gain control circuitry, reducing the amplifier's gain. For the feedback connection of Figure 9, this overload condition permits a circuit latch. To prevent this, choose  $R_1$  and  $R_2$  to ensure that the op amp can not possibly deliver more than 2.5V to the  $V_C$  terminal.

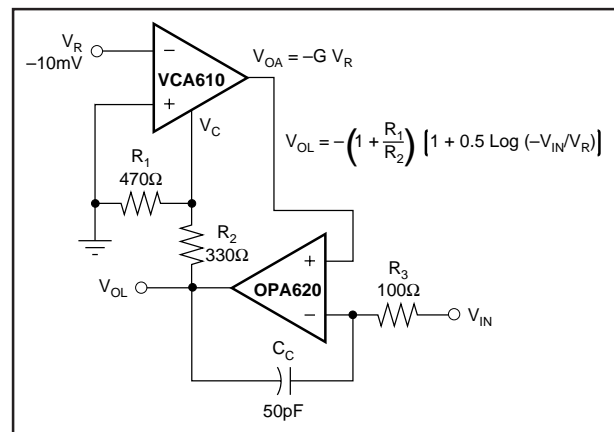


FIGURE 9. Driving the Gain Control Pin of the VCA610 with a Feedback Amplifier Produces a Temperature-Compensated Log Response.

## LOW-DRIFT WIDEBAND EXPONENTIAL AMP

A common use of the Log amp above involves signal companding. The inverse function, signal expanding, requires an exponential transfer function. The VCA610 produces this latter response directly as shown in Figure 10. DC reference  $V_R$  again sets the amplifier's input voltage and the input signal  $V_{IN}$  now drives the gain control point. Resistors  $R_1$  and  $R_2$  attenuate this drive to prevent overloading the gain control input. Setting these resistors at the same values as in the preceding Log amp produces an exponential amplifier with the inverse function of the Log amp.

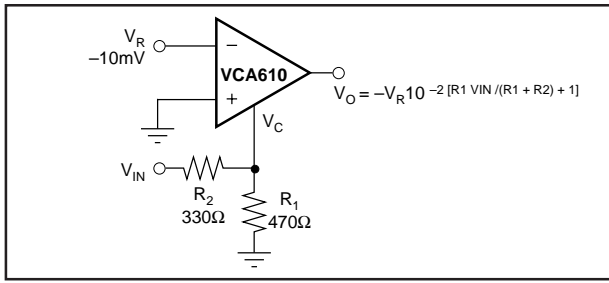


FIGURE 10. Signal Drive of the VCA610 Gain Control Pin Produces an Exponential Response, Re-expanding Signal Compressed by Figure 9.

### VOLTAGE-CONTROLLED LOW-PASS FILTER

In the circuit of Figure 11, the VCA610 serves as the variable gain element of a voltage-controlled low-pass filter. As will be described, this implementation expands the circuit's voltage swing capability over that normally achieved with the equivalent multiplier implementation. The circuit's response pole responds to control voltage  $V_C$  according to the relationship  $f_p = G/2\pi R_2 C$  where  $G = 10^{-2(V_C + 1)}$ . With the components shown, the circuit provides a linear variation of the low-pass cutoff from 300Hz to 1MHz.

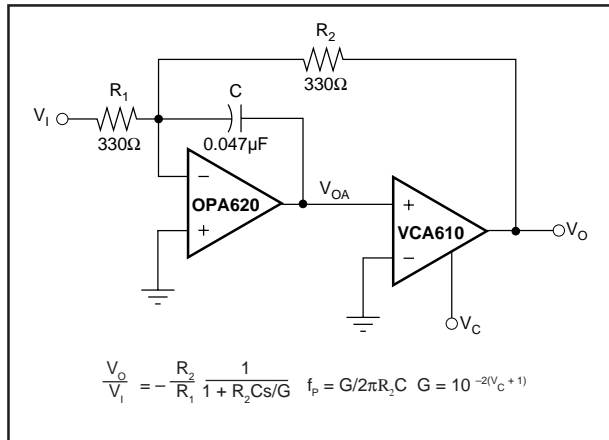


FIGURE 11. This Voltage-Tunable Low-Pass Filter Produces a Variable Cutoff Frequency with a 3,000:1 Range.

The response control results from amplification of the feedback voltage applied to  $R_2$ . Consider first the case where the VCA610 produces  $G = 1$ . Then, the circuit performs as if this amplifier were replaced by a short circuit. Visually doing so leaves a simple voltage amplifier with a feedback resistor bypassed by a capacitor. This basic circuit produces a response pole at  $f_p = 1/2\pi R_2 C$ .

For  $G > 1$ , the circuit applies a greater voltage to  $R_2$ , increasing the feedback current this resistor supplies to the summing junction of the OPA620. The increased feedback current produces the same result as if  $R_2$  had been decreased in value in the basic circuit described above. Decreasing the effective  $R_2$  resistance moves the circuit's pole to a higher frequency, producing the  $f_p = G/2\pi R_2 C$  response control.

Finite loop gain and a signal swing limitation set performance boundaries for the circuit. Both limitations occur when the VCA610 attenuates rather than amplifies the feedback signal. These two limitations reduce the circuit's utility at the lower extreme of the VCA610's gain range. For  $-1 \leq V_C \leq 0$ , this amplifier produces attenuating gains in the range from 0dB to -40dB. This directly reduces the net gain in the circuit's feedback loop, increasing gain error effects. Also, this attenuation transfers an output swing limitation from the OPA620 output to the overall circuit's output. Note that OPA620 output voltage,  $V_{OA}$ , relates to  $V_o$  through the expression  $V_o = G V_{OA}$ . Thus, a  $G < 1$  limits the maximum  $V_o$  swing to a value less than the maximum  $V_{OA}$  swing.

However, the circuit shown provides greater output swing than the more common multiplier implementation. The latter replaces the VCA610 of the figure with an analog multiplier having a response of  $V_o = XY/10$ . Then,  $X = V_{OA}$  and  $Y = V_C$ , making the circuit output voltage  $V_o = V_{OA} V_C / 10$ . Thus, the multiplier implementation amplifies  $V_{OA}$  by a gain of  $V_C / 10$ . Circuit constraints require that  $V_C \leq 10$ , making this gain  $\leq 1$ . Thus, the multiplier performs only as a variable attenuator and never provides amplification. As a result, the voltage swing limitation of  $V_{OA}$  restricts the  $V_o$  swing throughout most of the circuit's control range. Replacing the multiplier with the VCA610 shown permits equivalent gains greater  $> 1$ . Then, operating the VCA610 with gains in the range of one to 100 avoids the reduction in output swing capability.

### VOLTAGE-CONTROLLED HIGH-PASS FILTER

A circuit analogous to the above low-pass filter produces a voltage-controlled high-pass response. The gain control provided by the VCA610 of Figure 12 varies this circuit's response zero from 1Hz to 10kHz according to the relationship  $f_z \approx 1/2\pi G R_1 C$  where  $G = 10^{-2(V_C + 1)}$ .

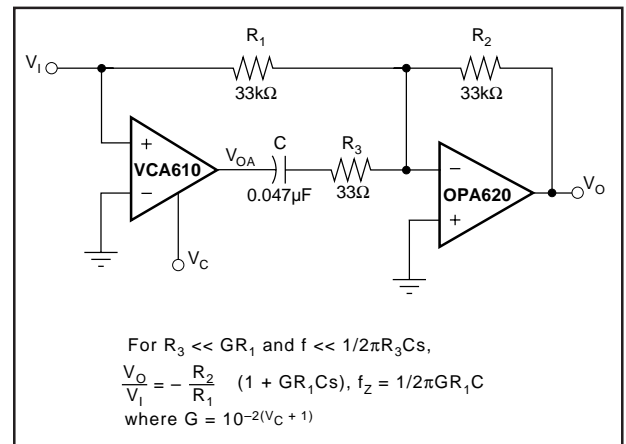


FIGURE 12. A Voltage-Tunable High-Pass Filter Produces a Response Zero Variable from 1Hz to 10kHz.

To visualize the circuit's operation, consider a circuit condition and an approximation that permit replacing the VCA610 and  $R_3$  with short circuits. First consider the case where the VCA610 produces  $G = 1$ . Then, replacing this amplifier with short circuit leaves the operation unchanged. In this shorted state, the circuit is simply a voltage amplifier with an R-C bypass around  $R_1$ . The resistance of this bypass,  $R_3$ , serves only to phase compensate the circuit and practical factors make  $R_3 \ll R_1$ . Neglecting  $R_3$  for the moment, the circuit becomes just a voltage amplifier with capacitive bypass of  $R_1$ . This circuit produces a response zero at  $f_z = 1/2\pi R_1 C$ .

Adding the VCA610 as shown permits amplification of the signal applied to capacitor C and produces voltage control of the frequency  $f_z$ . Amplified signal voltage on C increases the signal current conducted by the capacitor to the op amp feedback network. The result is the same as if C had been increased in value to  $GC$ . Replacing C with this effective capacitance value produces the circuit's control expression  $f_z = 1/2\pi R_1 GC$ .

Two factors limit the high-frequency performance of the resulting high-pass filter. The finite bandwidth of the op amp and the circuit's phase compensation produce response poles. These limit the frequency duration of the high-pass response. Selecting the  $R_3$  phase compensation with the equation  $R_3 = \sqrt{(R_1/2\pi f_c C)}$  assures stability for all values of G and sets the circuit's bandwidth at  $BW = \sqrt{(f_c/2\pi R_1 C)}$ . Here,  $f_c$  is the unity-gain crossover frequency of the op amp used. With the components shown,  $BW = 100\text{kHz}$ . This bandwidth provides a high-pass response duration of five decades of frequency for  $f_z = 1\text{Hz}$ , dropping to one decade for  $f_z = 10\text{kHz}$ .

The output voltage limit of the VCA610 imposes an input voltage limit for the filter. The expression  $V_{OA} = GV_I$  relates these two voltages. Thus, an output voltage limit  $V_{OAL}$  constrains the input voltage to  $V_I \leq V_{OAL}/G$ .

### VOLTAGE-CONTROLLED BAND-PASS FILTER

The VCA610's variable gain also provides voltage control over the center frequency of a band-pass filter. Shown in Figure 13, this filter follows from the state-variable configuration with the VCA610 replacing the inverter common to that configuration. Variation of the VCA610 gain moves the filter's center frequency through a 100:1 range following the relationship  $f_o = [10^{-(V_C+1)}]/2\pi RC$ .

As before, variable gain controls a circuit time constant to vary the filter response. The gain of the VCA610 amplifies or attenuates the signal driving the lower integrator of the circuit. This alters the effective resistance of the integrator time constant producing the response

$$\frac{V_o}{V_i} = \frac{-s/nRC}{s^2 + s/nRC + G/R^2C^2}$$

Evaluation of this response equation reveals a passband gain of  $A_o = -1$ , a bandwidth of  $BW = 1/2\pi nRC$  and a selectivity of  $Q = n10^{-(V_C+1)}$ . Note that variation of control voltage  $V_C$  alters Q but not bandwidth.

The gain provided by the VCA610 restricts the output swing of the filter. Output signal  $V_o$  must be constrained to a level that does not drive the VCA610 output,  $V_{OA}$ , into its saturation limit. Note that these two outputs have voltage swings related by  $V_{OA} = GV_o$ . Thus, a swing limit  $V_{OAL}$  imposes a circuit output limit of  $V_o \leq V_{OAL}/G$ .

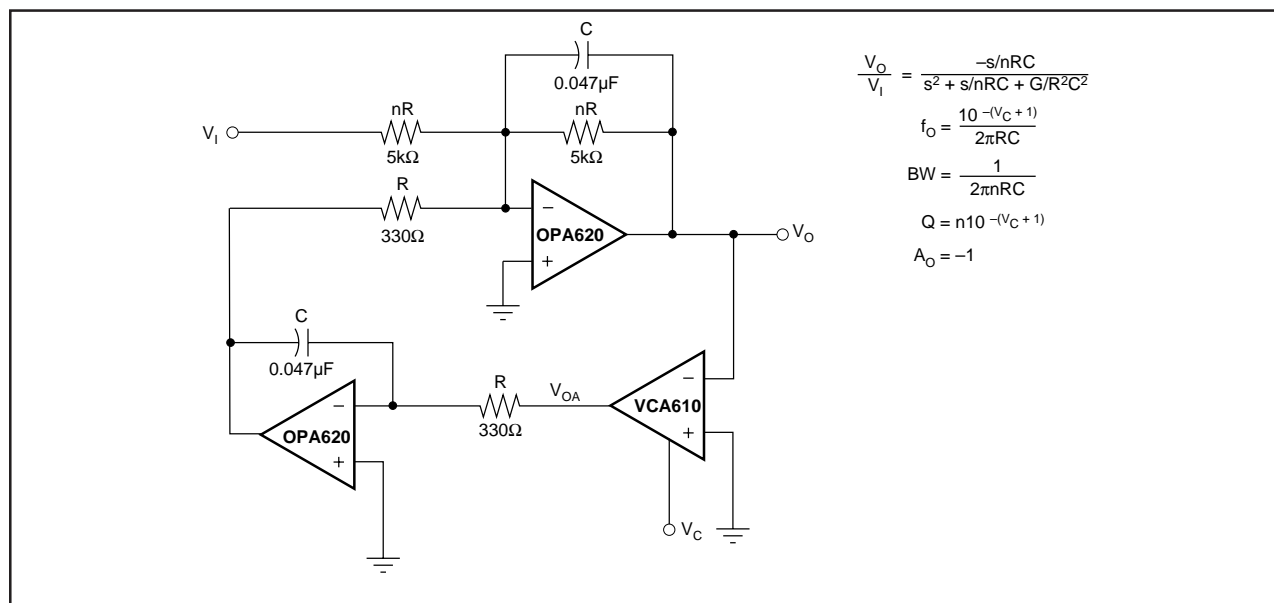


FIGURE 13. Adding the VCA610 to a State-Variable Filter Produces a Voltage-Controlled BandPass Filter With a Center Frequency Variable Over a 100:1 Range.