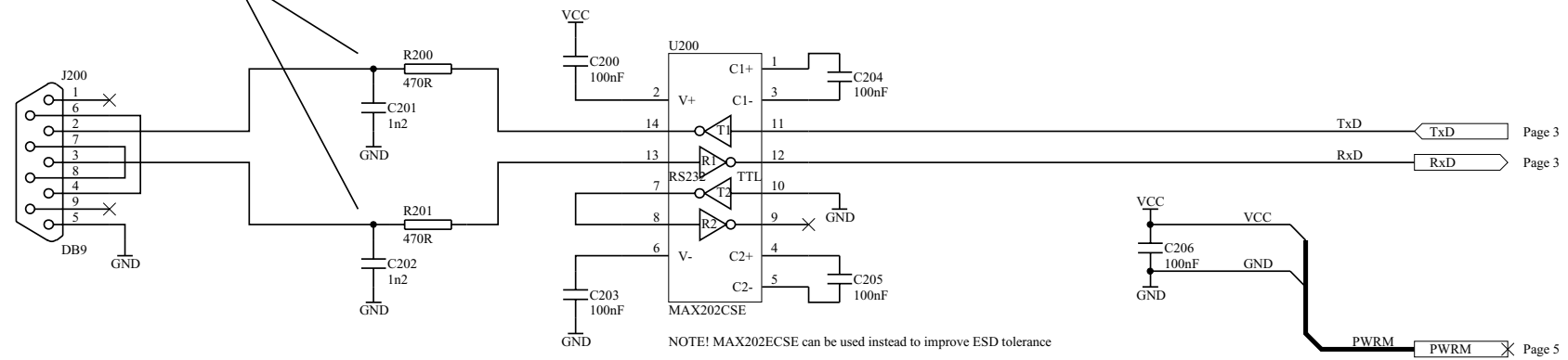
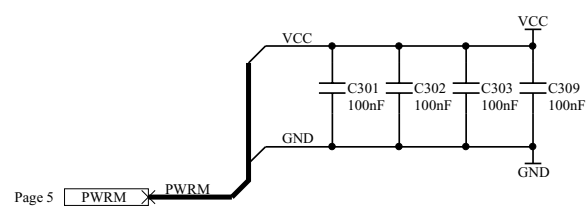
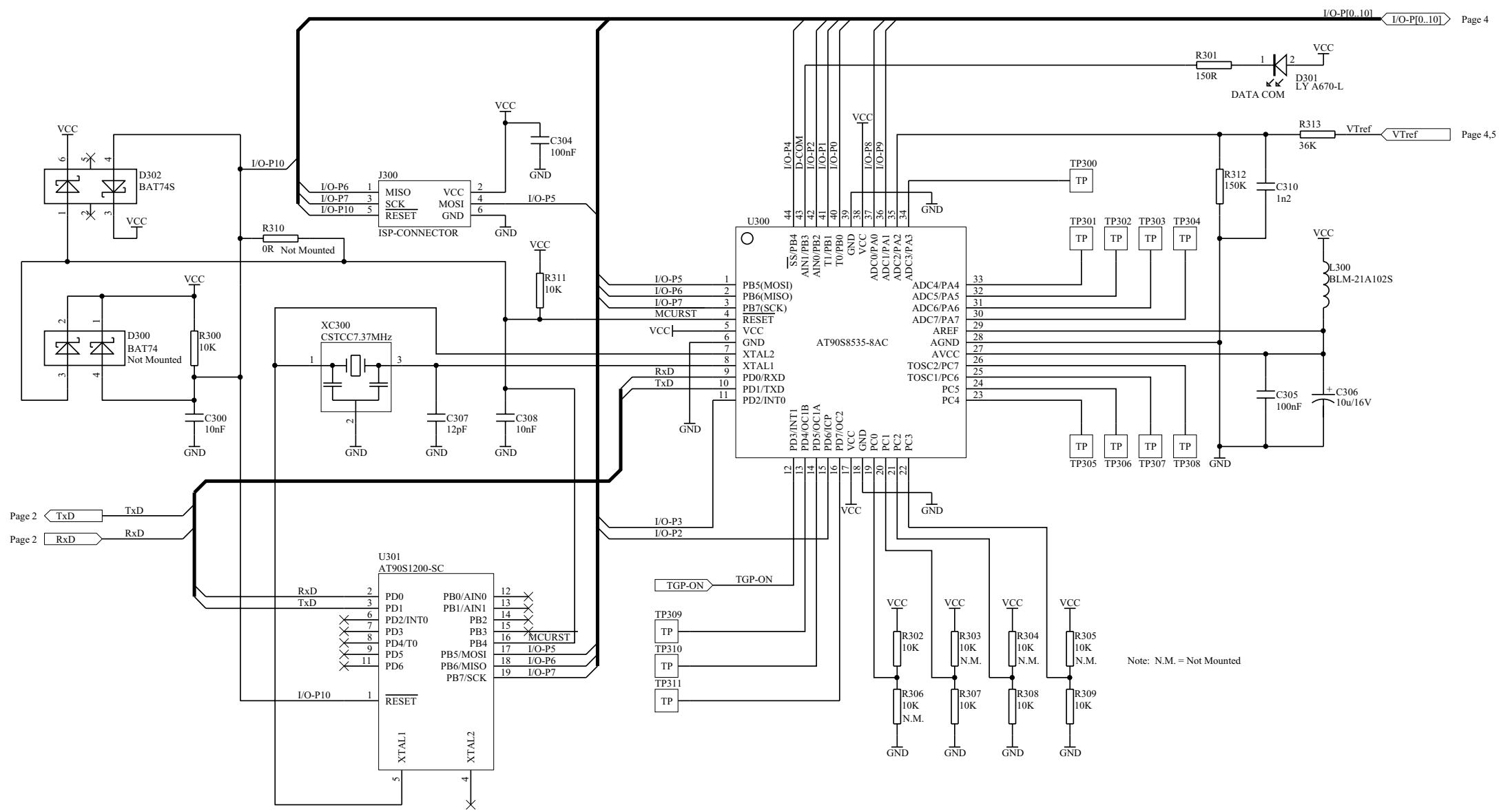


Title AVR_JTAG_adapter		ATMEL NORWAY Vestre Rosten 78 7075 TILLERNORWAY
Size A3	Number A0002.3.1000.B	Revision B
Date: 26-Feb-2001	Sheet 1 of 5	
File: C:\user\OCD\OCD.ddb	Drawn By: SSkaga	

NOTE! Filters must be located as close to the DSUB connector as possible



Title AVR_JTAG_adapter, RS-232 COM PORT		ATMEL NORWAY Vestre Rosten 78 7075 TILLERNORWAY
Size A3	Number A0002.3.1000.B	Revision B
Date: 26-Feb-2001	Sheet2 of 5	
File: C:\user\OCD\OCD.ddb	Drawn By: SSkaga	



Note: N.M. = Not Mounted

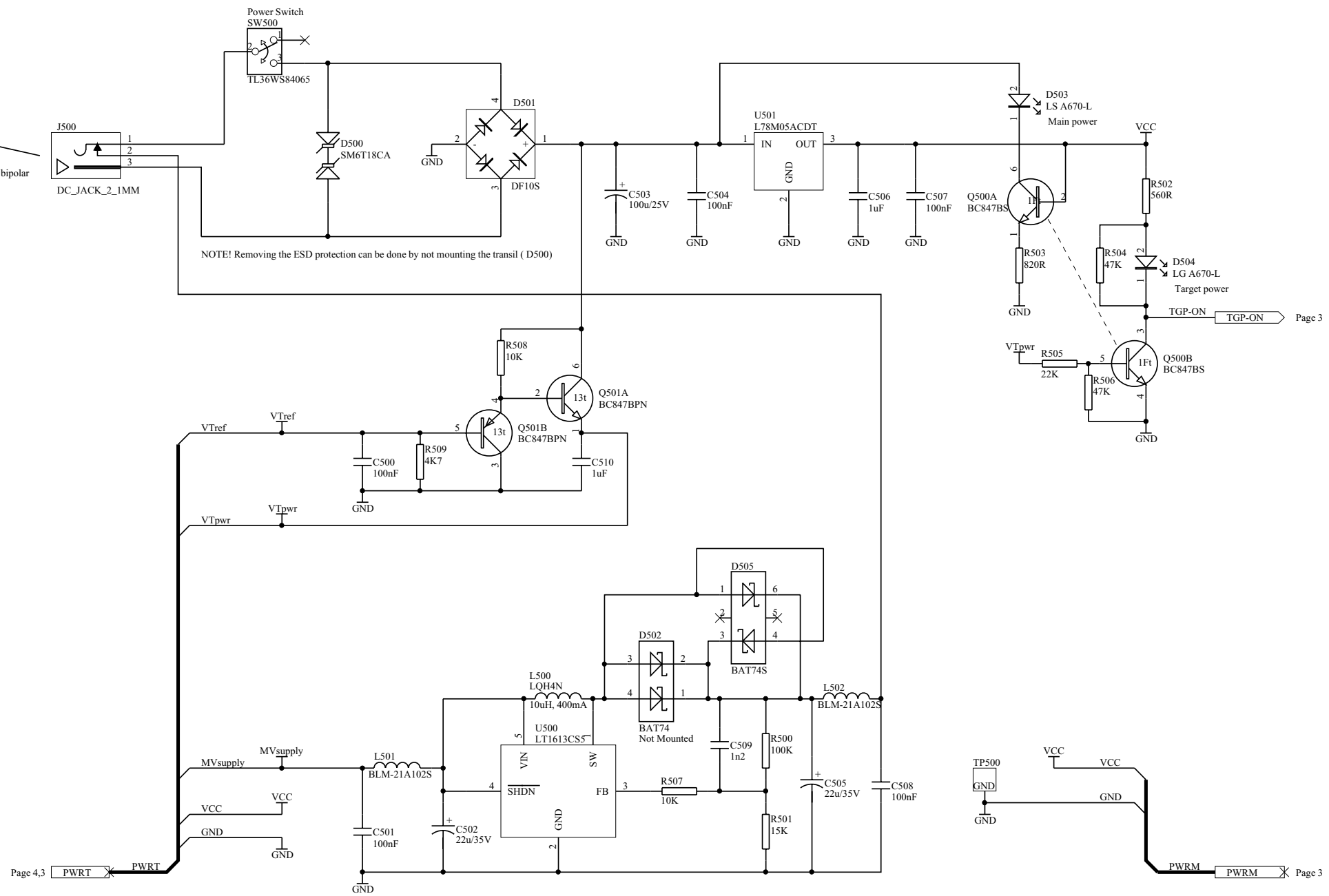
Title AVR_JTAG_adapter, MCU CONTROL		ATMEL NORWAY Vestre Rosten 78 7075 TILLERNORWAY
Size A3	Number A0002.3.1000.B	Revision B
Date: 26-Feb-2001	File: C:\user\OCD\OCD.ddb	Sheet3 of 5 Drawn By: SSkaga



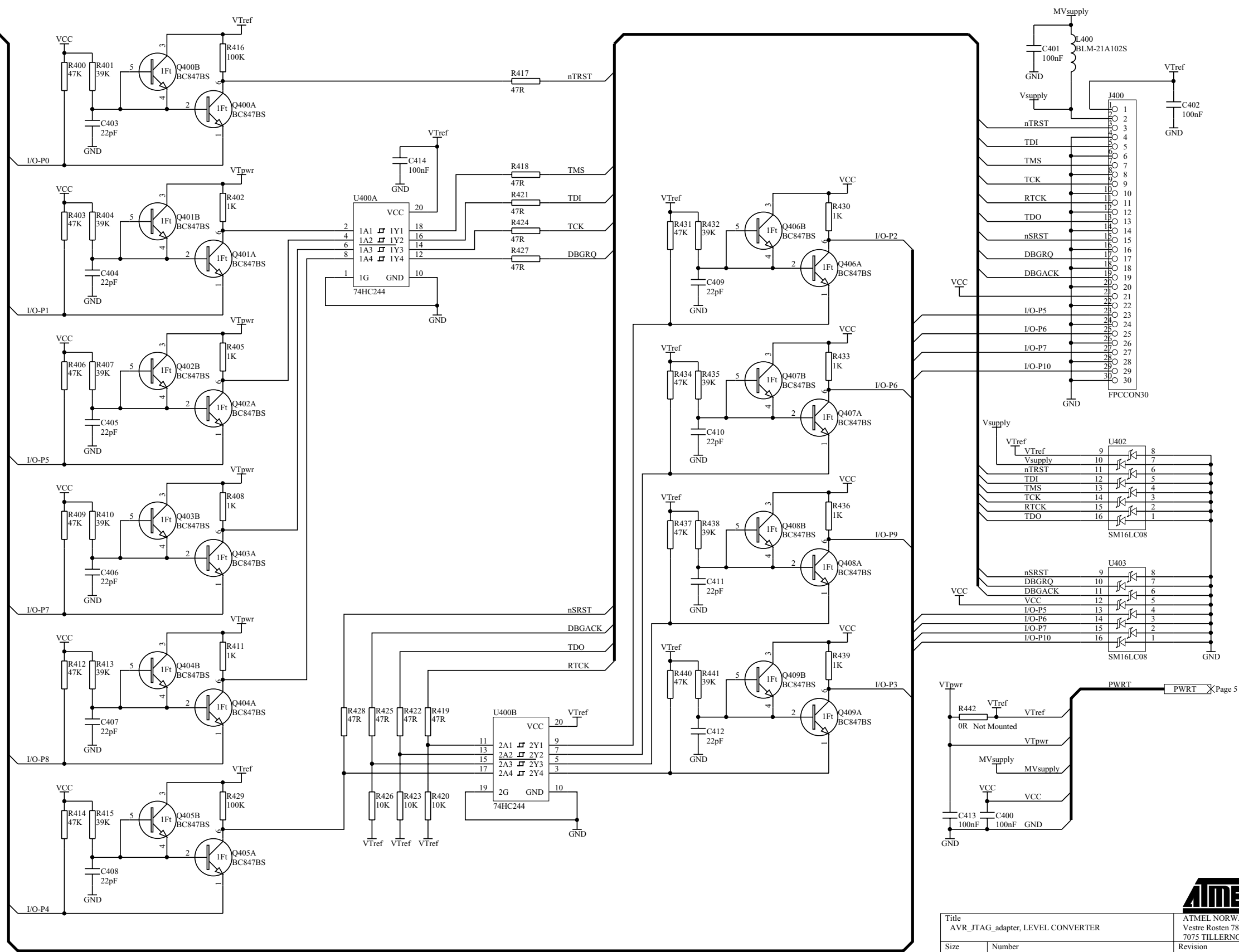
Power Supply
9.0-15 VDC
9.0 VAC RMS

NOTE! Power connection are bipolar

NOTE! Removing the ESD protection can be done by not mounting the transil (D500)



Title AVR_JTAG_adapter, POWER SUPPLY		ATMEL NORWAY Vestre Rosten 78 7075 TILLERNORWAY
Size A3	Number A0002.3.1000.B	Revision B
Date: 26-Feb-2001	Sheet5 of 5	
File: C:\user\OCD\OCD.ddb	Drawn By: SSkaga	



Title AVR_JTAG_adapter, LEVEL CONVERTER		ATMEL NORWAY Vestre Rosten 78 7075 TILLERNORWAY	
Size A3	Number A0002.3.1000.B	Revision B	
Date: 26-Feb-2001	Sheet4 of 5	Drawn By: S8kaga	
File: C:\use\OCD\OCD.ddb			

